



US00D592295S

(12) **United States Design Patent**
Nanda

(10) **Patent No.:** **US D592,295 S**
(45) **Date of Patent:** **** May 12, 2009**

- (54) **HONEYPOT HUMIDIFIER**
 - (75) Inventor: **Puneet Nanda**, Cerritos, CA (US)
 - (73) Assignee: **Dr. Fresh, Inc.**, Buena Park, CA (US)
 - (**) Term: **14 Years**
 - (21) Appl. No.: **29/321,524**
 - (22) Filed: **Jul. 17, 2008**
 - (51) **LOC (9) Cl.** **23-04**
 - (52) **U.S. Cl.** **D23/356**
 - (58) **Field of Classification Search** D23/356,
D23/355, 364, 359, 360, 362, 352, 366, 369,
D23/332, 333, 335, 336, 342, 351; 422/120,
422/122; 55/356, 473, 504; 96/97; D14/188,
D14/170, 172; 261/DIG. 17, DIG. 65, DIG. 88,
261/DIG. 31
- See application file for complete search history.

- D535,376 S * 1/2007 Michaels et al. D23/366
- D544,084 S * 6/2007 Michaels et al. D23/366
- D544,593 S * 6/2007 Yamamoto D23/366
- D547,850 S * 7/2007 Michaels et al. D23/366

* cited by examiner

Primary Examiner—T. Chase Nelson
Assistant Examiner—David G Muller

(74) *Attorney, Agent, or Firm*—Knobbe, Martens, Olson & Bear, LLP

(57) **CLAIM**

The ornamental design for a honeypot humidifier, as shown and described.

DESCRIPTION

FIG. 1 is a front elevation view of an embodiment of a honeypot humidifier embodying my new design.

FIG. 2 is a rear elevation view of the embodiment of FIG. 1.

FIG. 3 is a right side view of the embodiment of FIG. 1.

FIG. 4 is a left side view of the embodiment of FIG. 1.

FIG. 5 is a top plan view of the embodiment of FIG. 1.

FIG. 6 is a bottom plan view of the embodiment of FIG. 1; and,

FIG. 7 is a top, front, and left side perspective of the embodiment of FIG. 1.

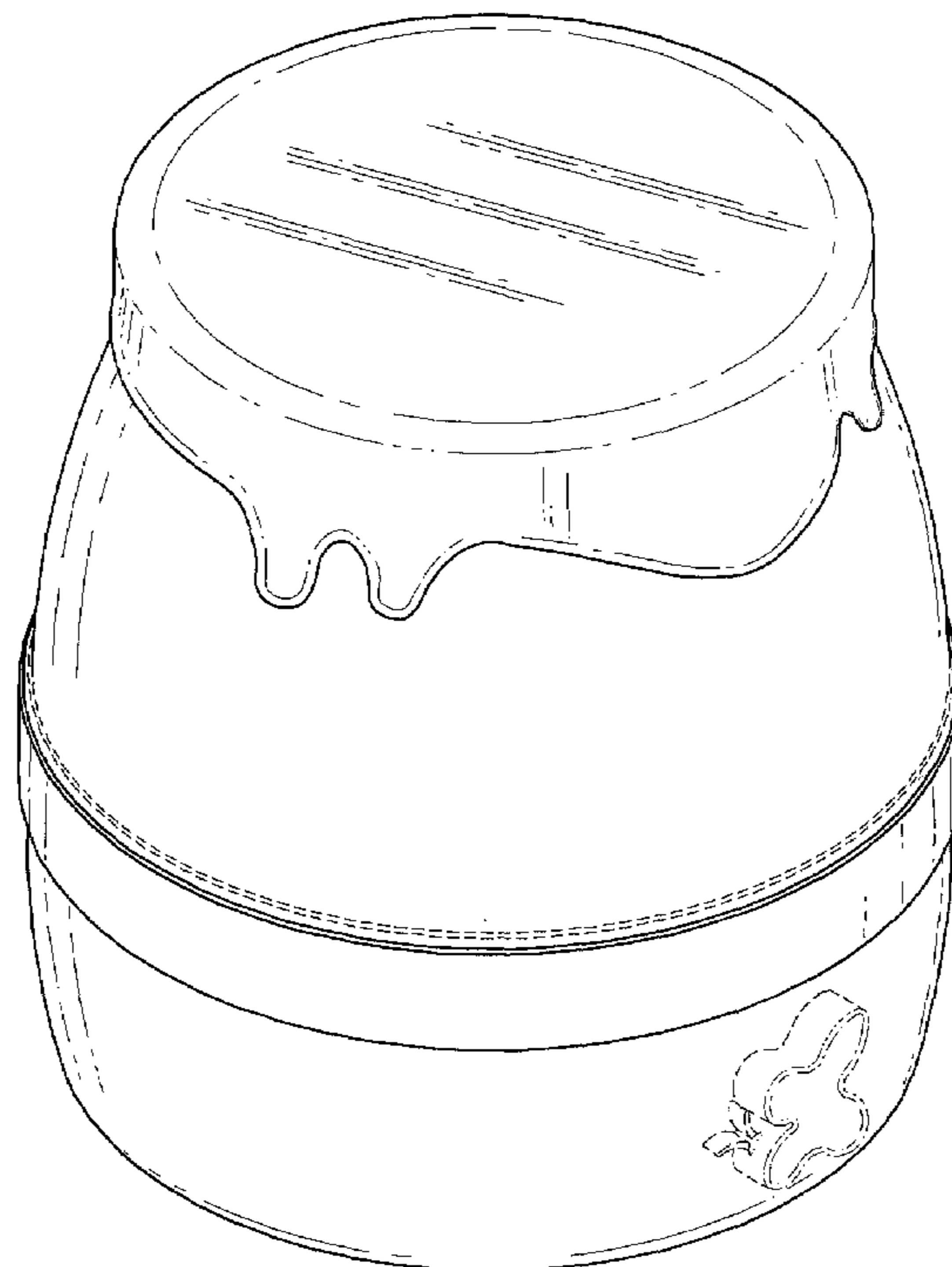
Shown in phantom lines are functional features of the honeypot humidifier which form no part of the claimed design.

1 Claim, 7 Drawing Sheets

(56) **References Cited**

U.S. PATENT DOCUMENTS

- D252,102 S * 6/1979 Mandon et al. D23/369
- D318,912 S * 8/1991 von Philipp et al. D23/366
- D321,476 S * 11/1991 Alcover D23/366
- D368,771 S * 4/1996 Patel et al. D23/366
- D381,561 S * 7/1997 Manca D23/366
- D392,032 S * 3/1998 Zaragoza et al. D23/369
- D454,190 S * 3/2002 Trocola D23/366
- D475,445 S * 6/2003 Kumar D23/366
- D509,890 S * 9/2005 Stavale et al. D23/366



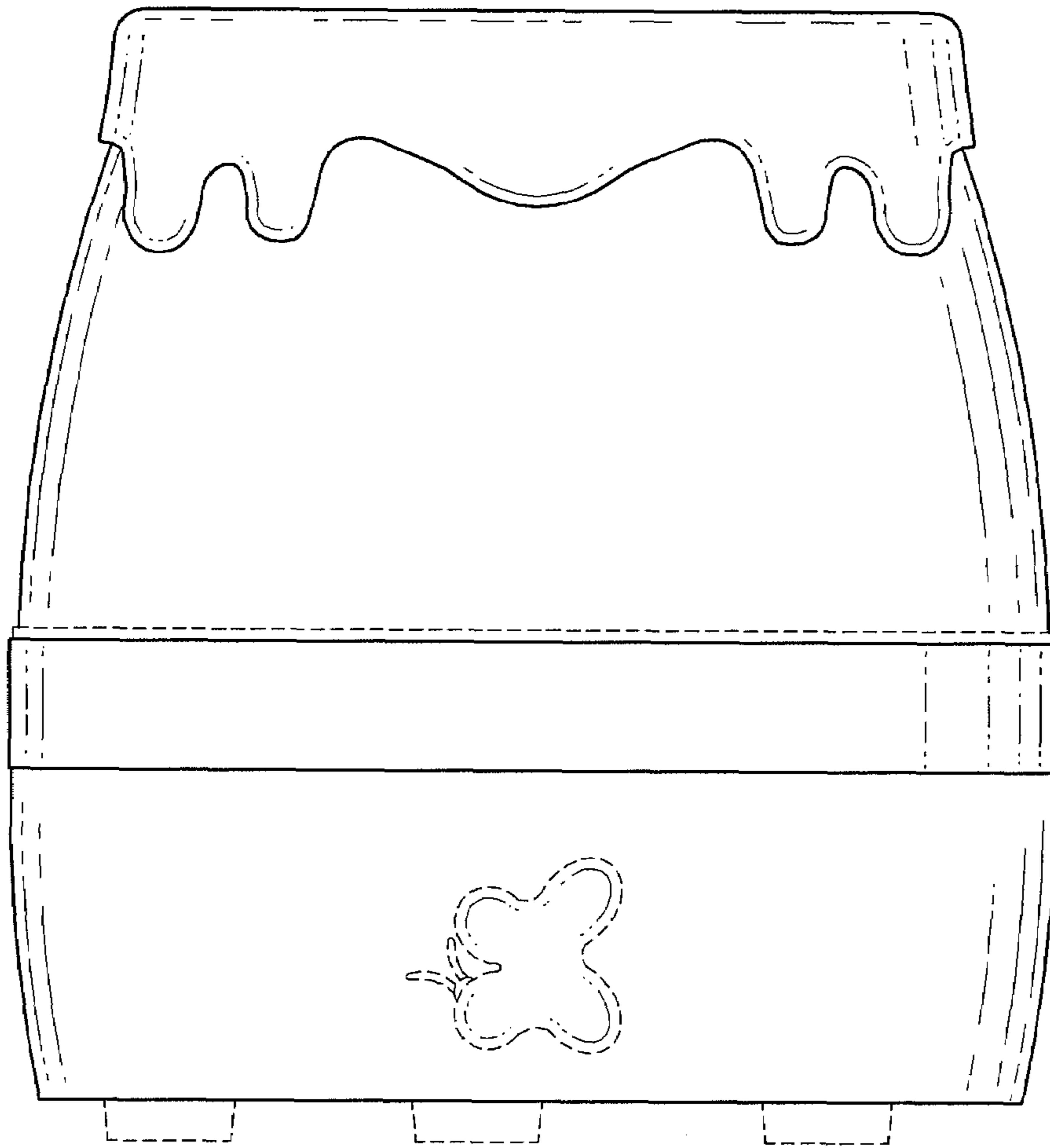


FIG. 1

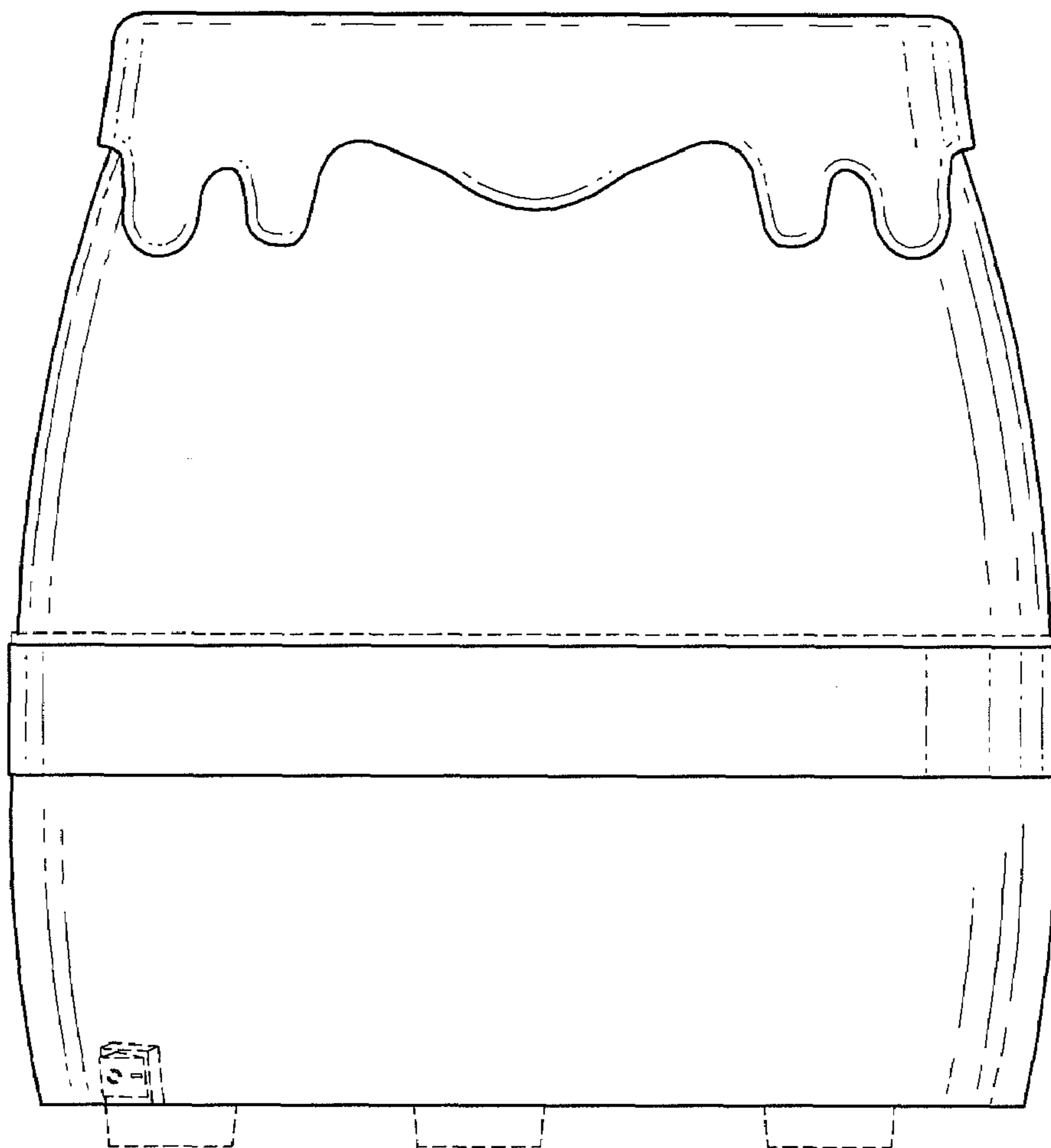


FIG. 2

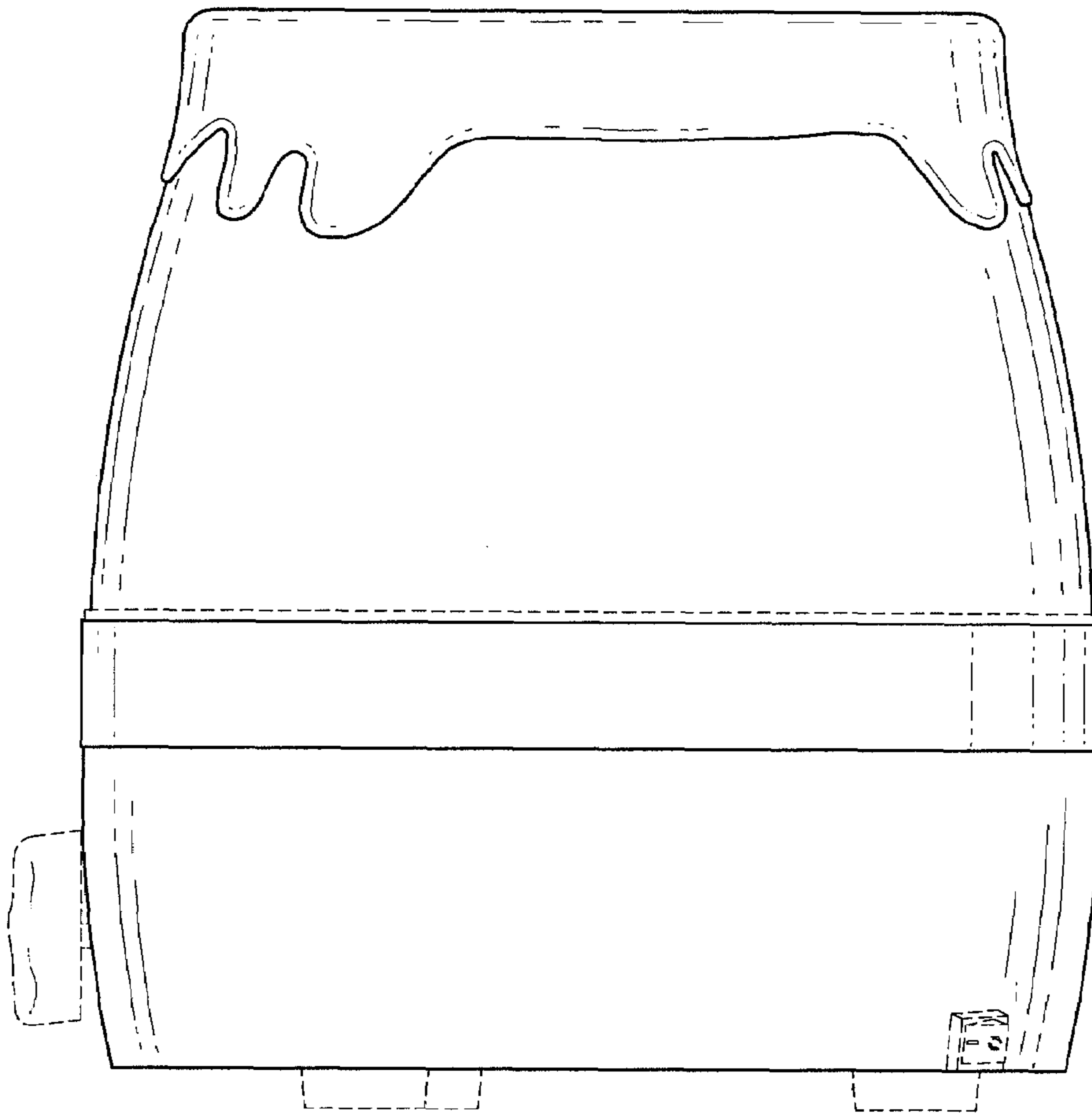


FIG. 3

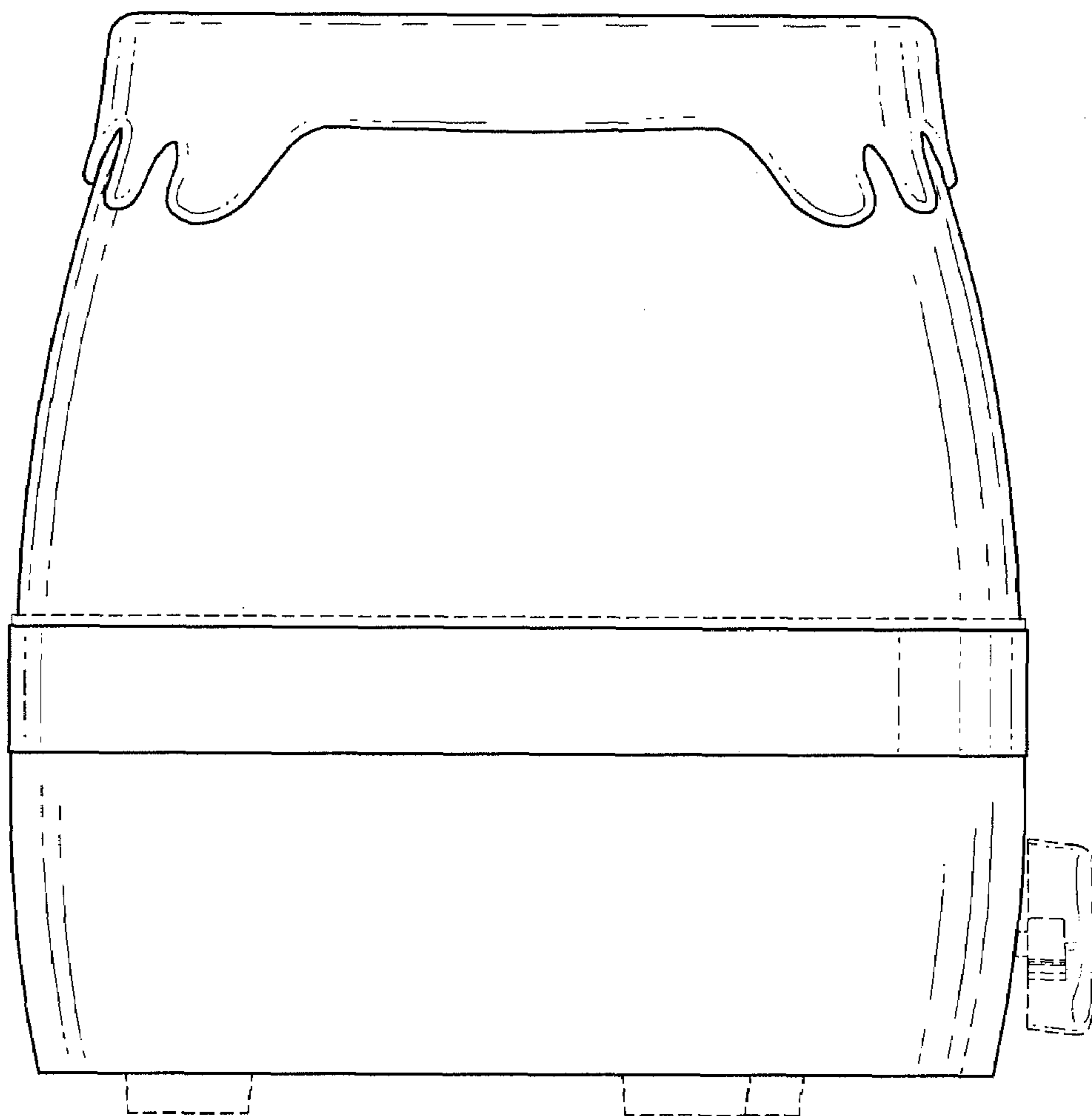


FIG. 4

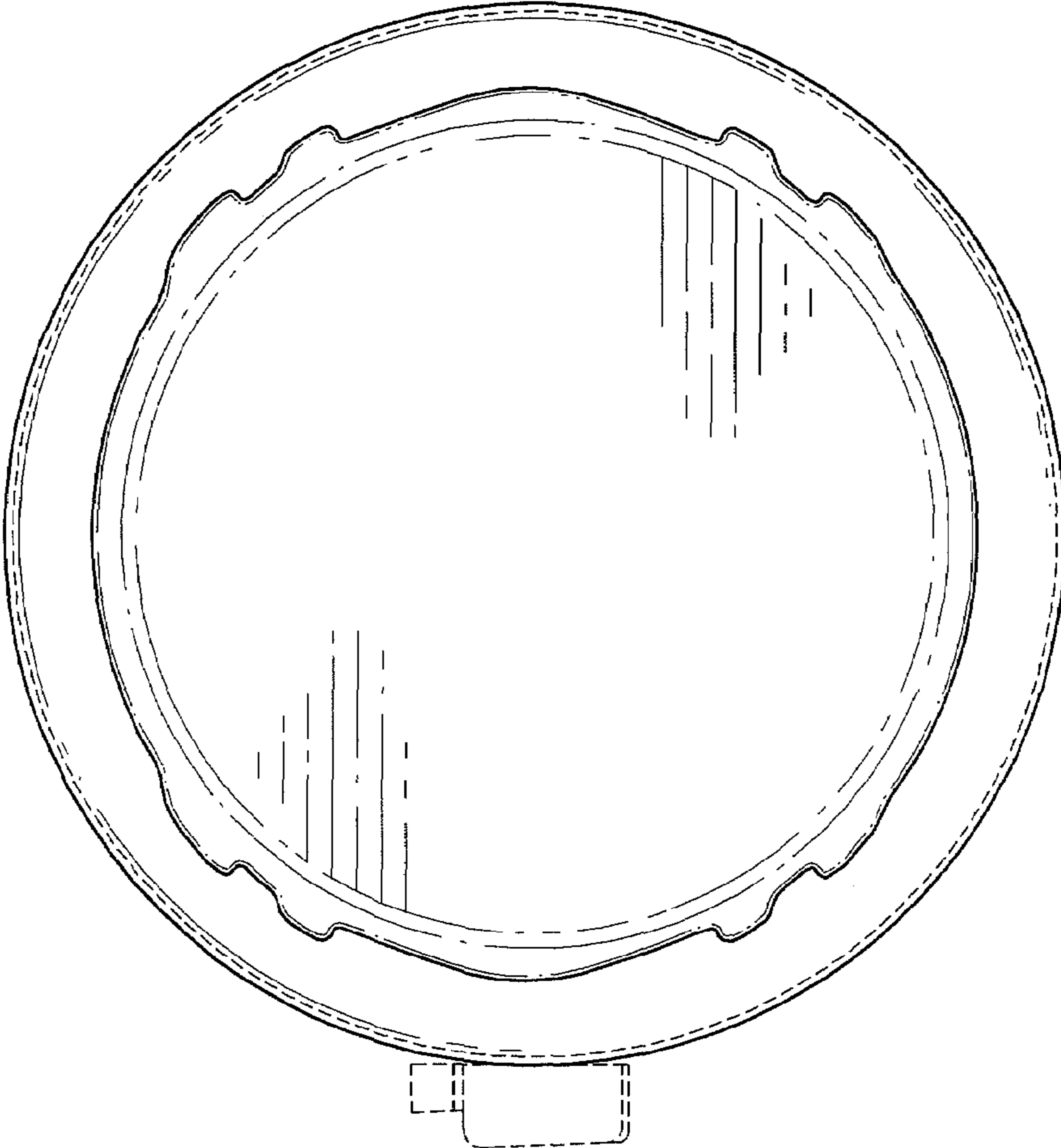


FIG. 5

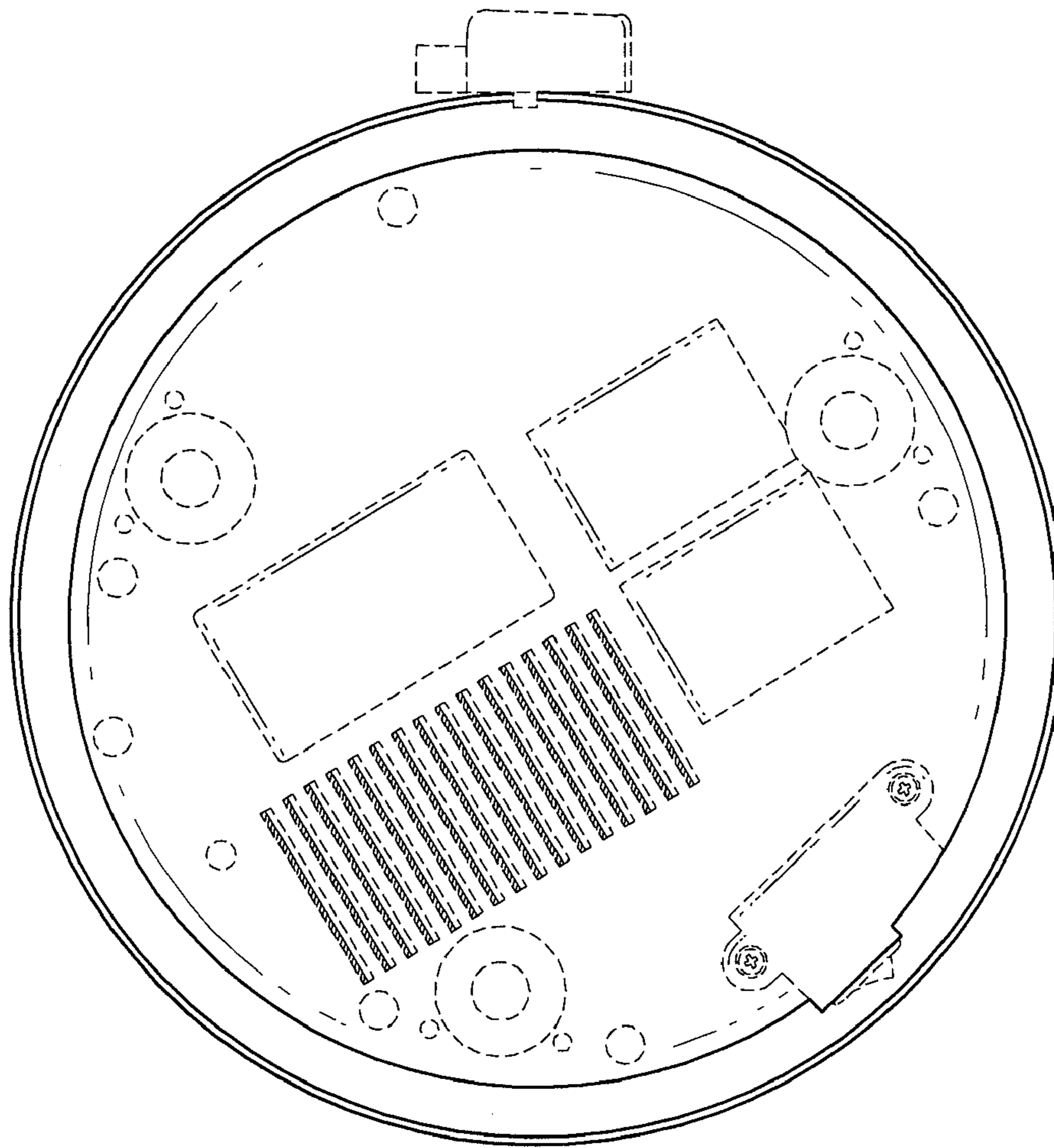


FIG. 6

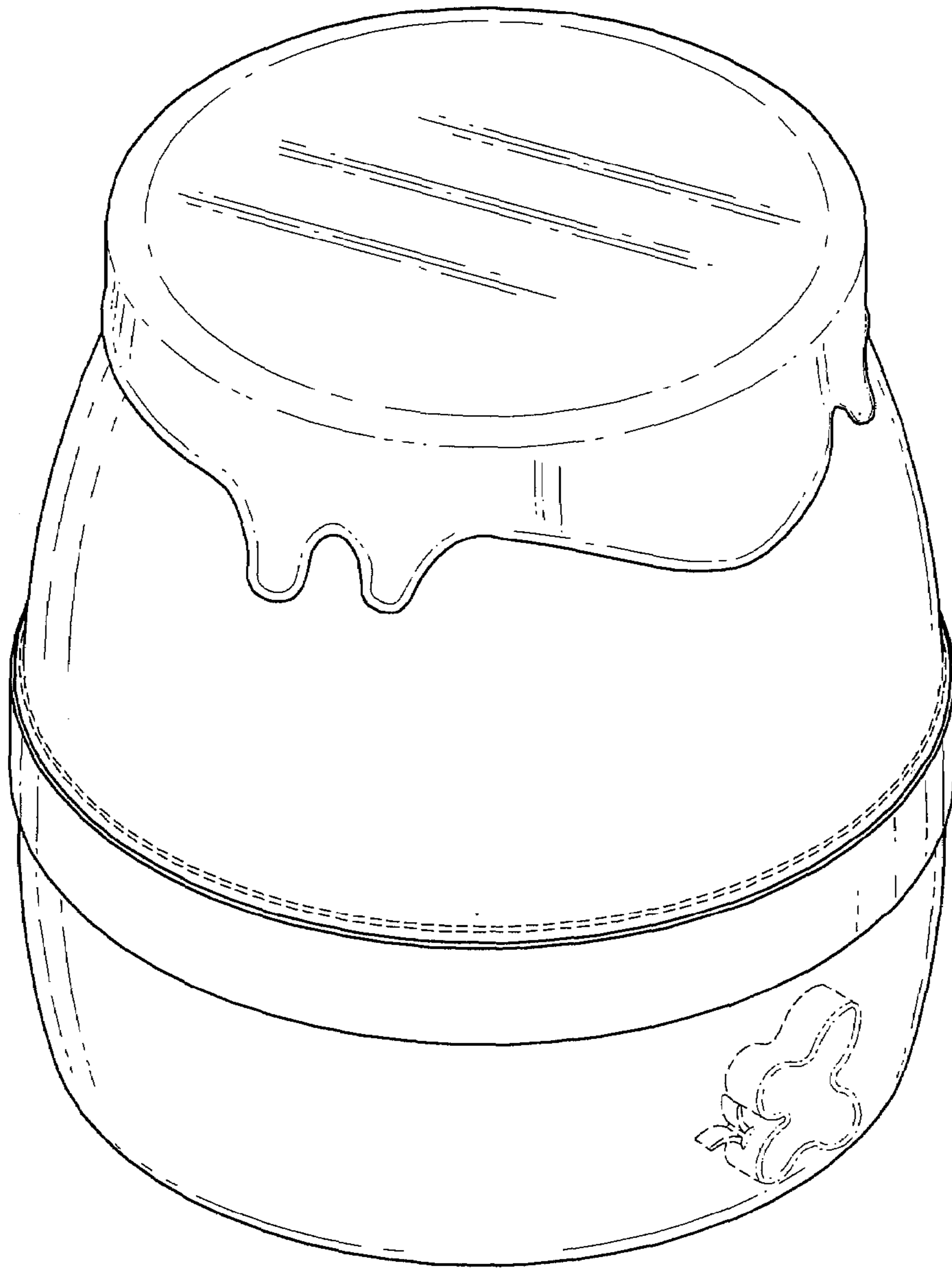


FIG. 7