



US00D592292S

(12) **United States Design Patent**
Kakihana et al.

(10) **Patent No.:** **US D592,292 S**
(45) **Date of Patent:** **** May 12, 2009**

(54) **LAVATORY**

D563,533 S * 3/2008 Kakihana et al. D23/293.1

(75) Inventors: **Hajime Kakihana**, Morrow, GA (US);
James Piatt, Morrow, GA (US)

(73) Assignee: **Toto Ltd.**, Kitakyusyu-Shi (JP)

(**) Term: **14 Years**

(21) Appl. No.: **29/324,861**

(22) Filed: **Sep. 22, 2008**

Related U.S. Application Data

(63) Continuation of application No. 29/274,480, filed on
Apr. 27, 2007, now abandoned.

(51) **LOC (9) Cl.** **23-02**

(52) **U.S. Cl.** **D23/293.1**

(58) **Field of Classification Search** D23/284,
D23/287, 293.1, 308; 4/619, 631, 637
See application file for complete search history.

(56) **References Cited**

U.S. PATENT DOCUMENTS

D492,015 S * 6/2004 Kergoet D23/293.1
D492,395 S 6/2004 Kergoet
D538,900 S * 3/2007 Bates et al. D23/290
D540,441 S * 4/2007 Bates D23/293.1

OTHER PUBLICATIONS

Japanese Office Action dated Jan. 7, 2008 showing the photograph on
p. 157 with a date of Apr. 11, 2005 of the document entitled, "Art &
Decoration".

* cited by examiner

Primary Examiner—Robert A Delehanty

(74) *Attorney, Agent, or Firm*—Birch, Stewart, Kolasch &
Birch, LLP

(57) **CLAIM**

The ornamental design for a lavatory, as shown and described.

DESCRIPTION

FIG. 1 is a perspective view of the top, front and right said of
a lavatory showing our new design;

FIG. 2 is a top plan view thereof;

FIG. 3 is a front view thereof;

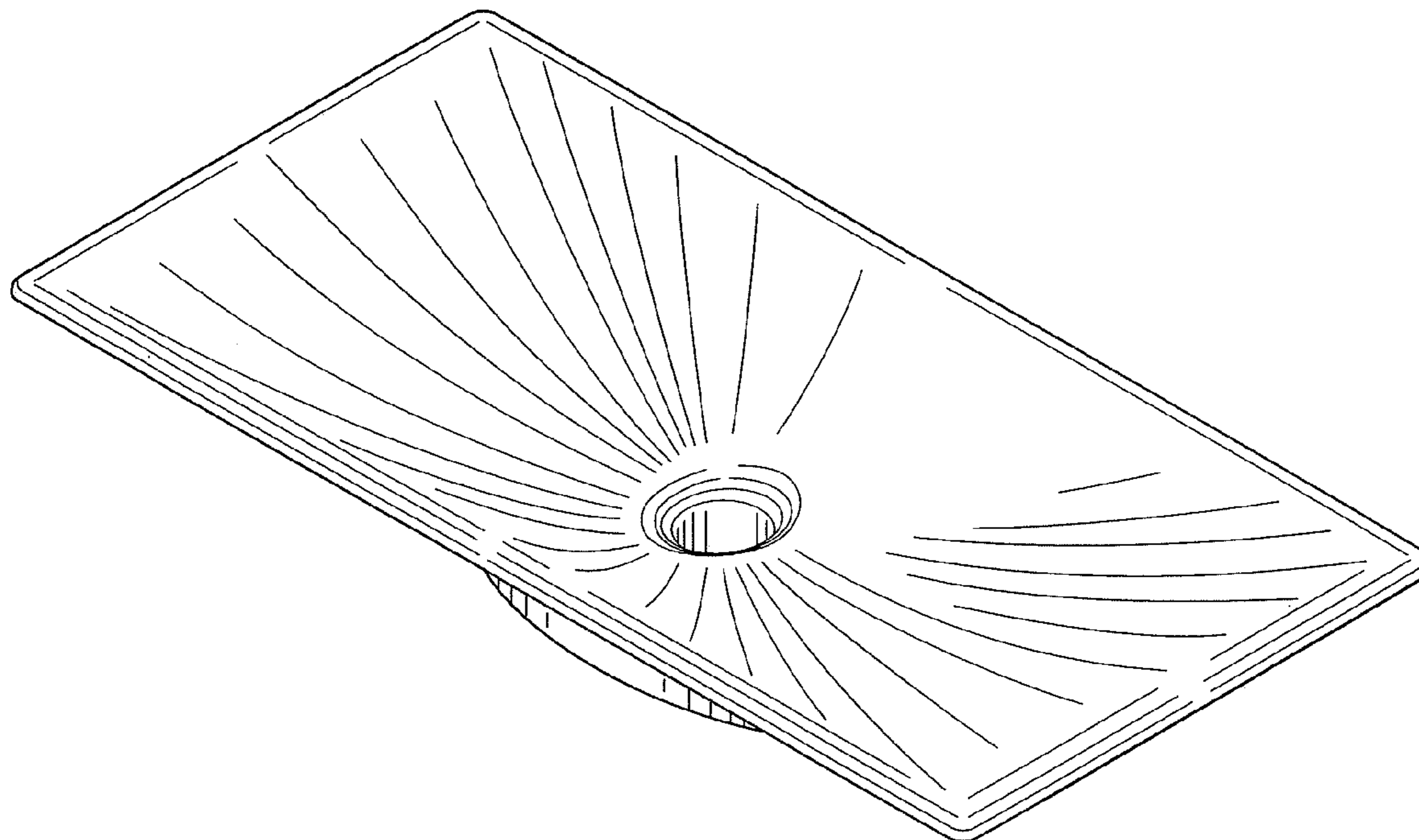
FIG. 4 is a left side view thereof;

FIG. 5 is a right side view thereof;

FIG. 6 is a rear view thereof; and,

FIG. 7 is a bottom view thereof.

1 Claim, 4 Drawing Sheets



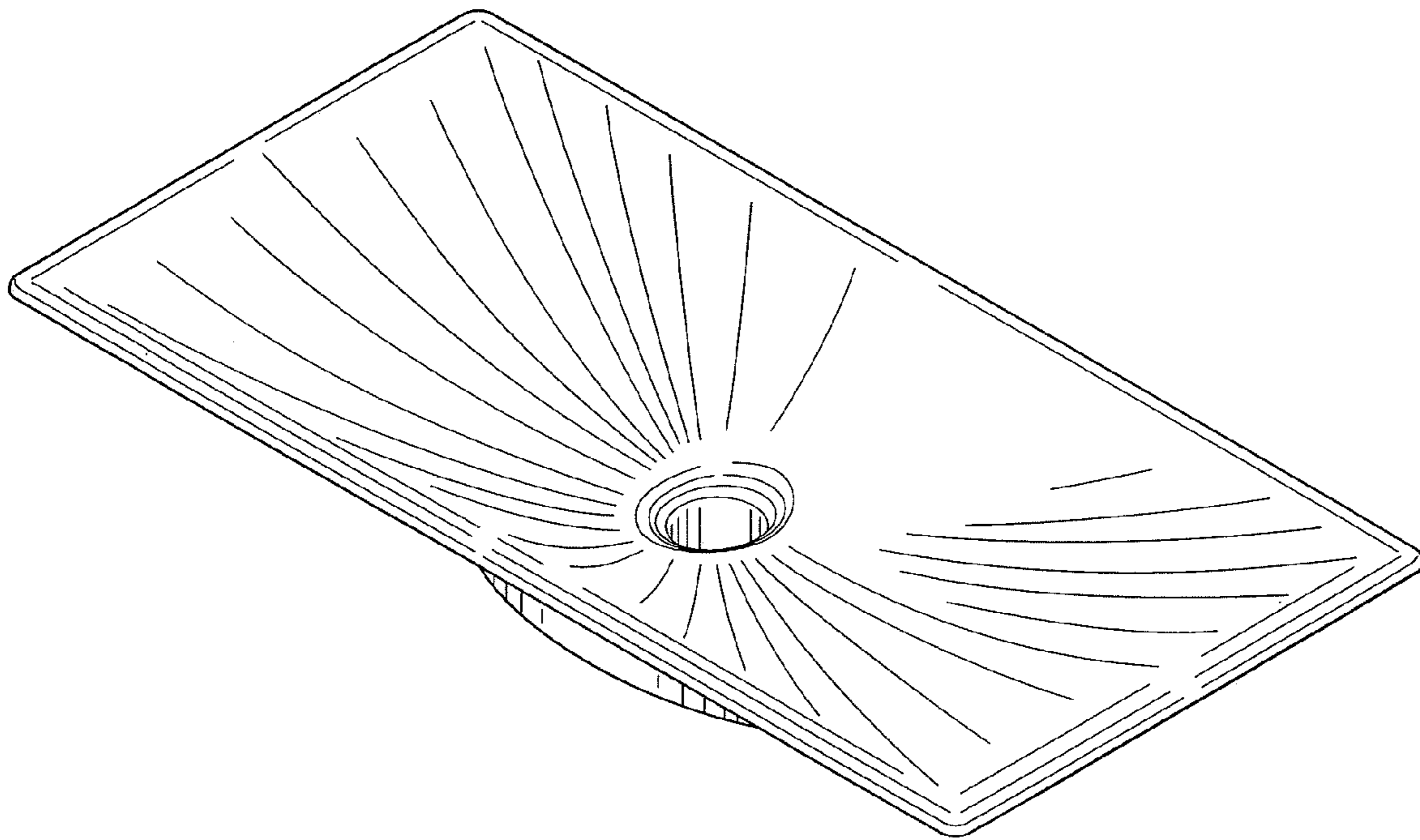


FIG. 1

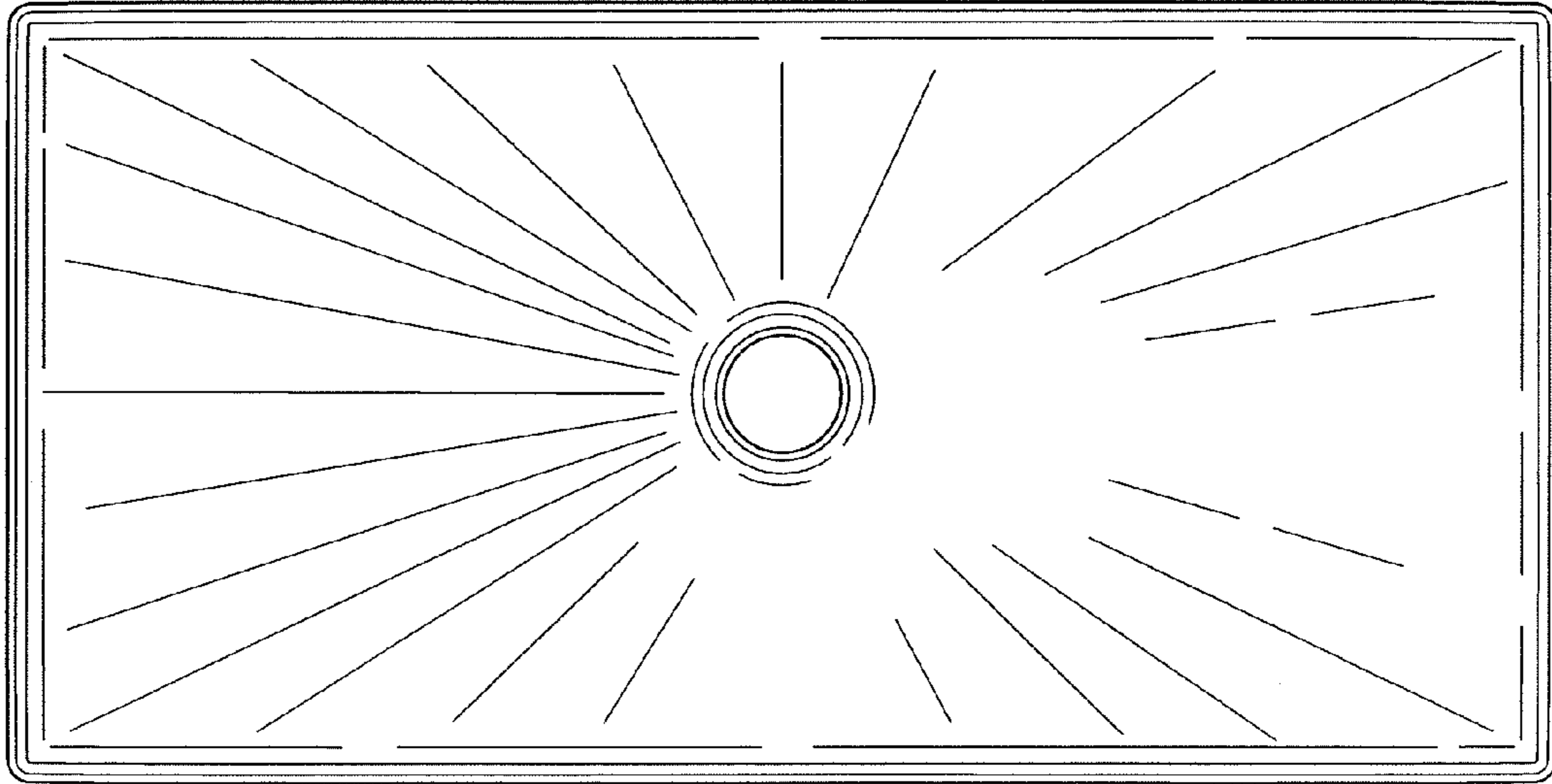


FIG. 2

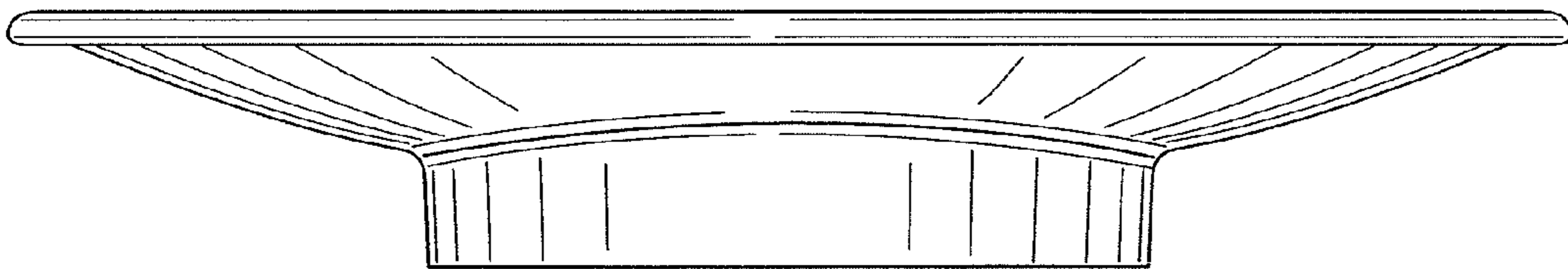


FIG. 3

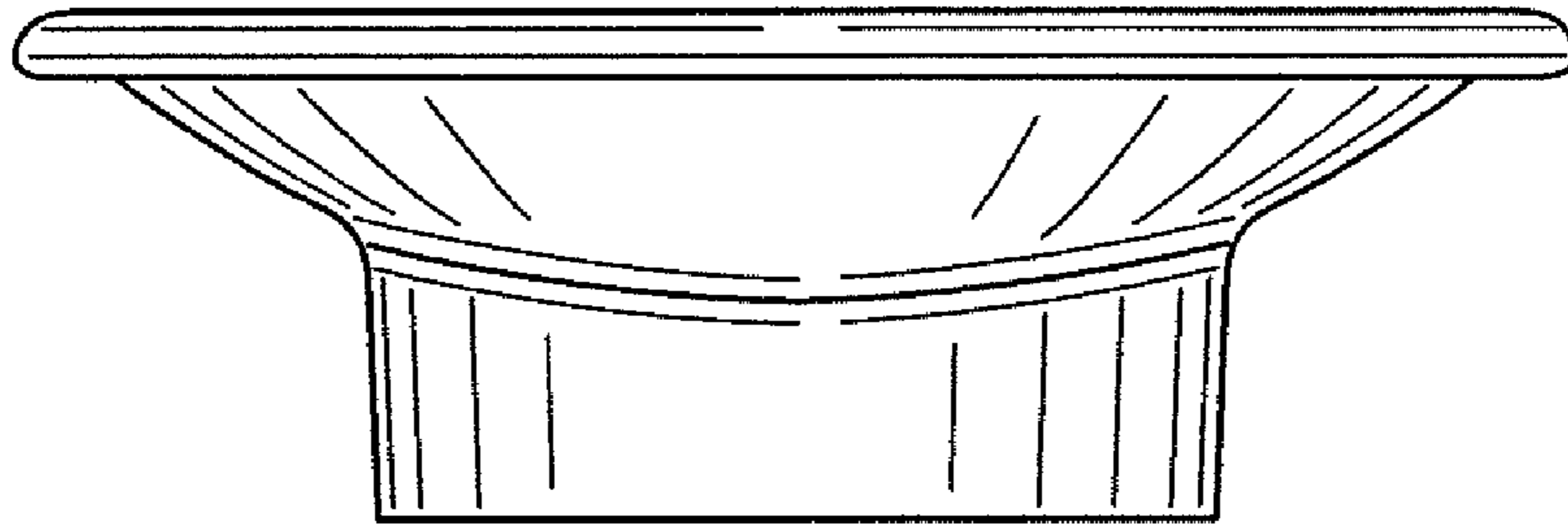


FIG. 4

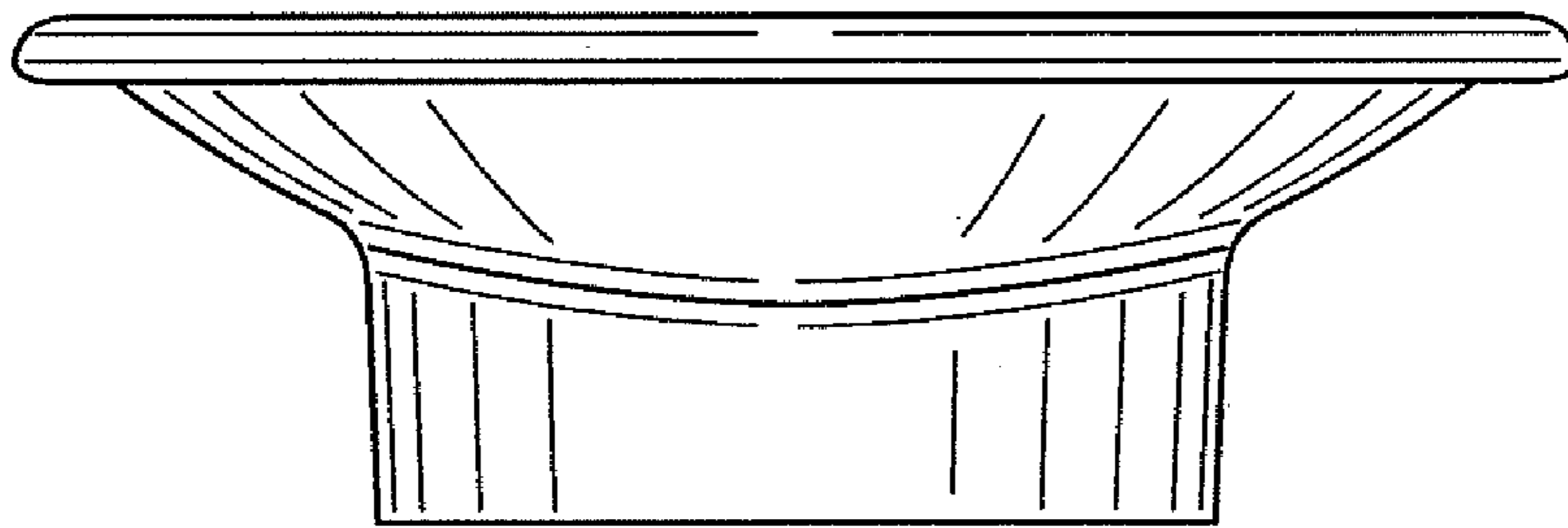


FIG. 5

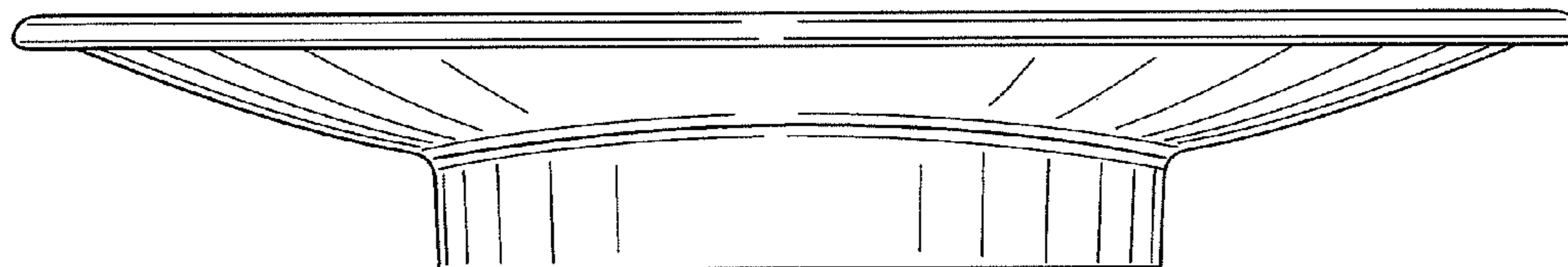


FIG. 6

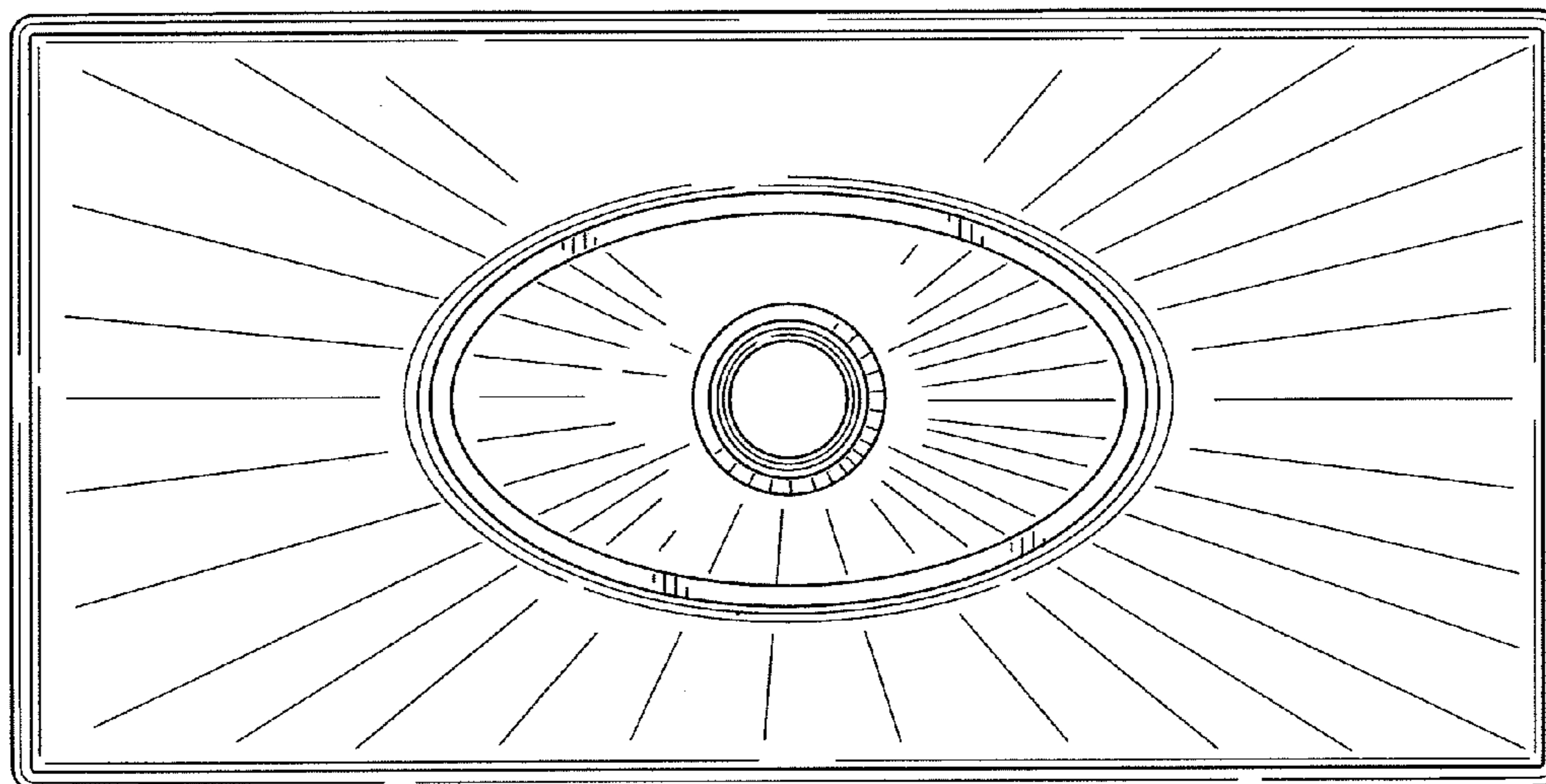


FIG. 7