



US00D592291S

(12) **United States Design Patent**  
**Arets**

(10) **Patent No.:** **US D592,291 S**

(45) **Date of Patent:** **\*\* May 12, 2009**

(54) **SINK**

(75) Inventor: **Wiel Arets**, Maastricht (NL)

(73) Assignee: **Alessi S.p.A.**, Omegna (IT)

(\*\*) Term: **14 Years**

(21) Appl. No.: **29/287,671**

(22) Filed: **Sep. 6, 2007**

(30) **Foreign Application Priority Data**

Mar. 6, 2007 (EM) ..... 000683651

(51) **LOC (9) Cl.** ..... **23-01**

(52) **U.S. Cl.** ..... **D23/284; D23/290**

(58) **Field of Classification Search** ..... D23/284,  
D23/287, 291–293.1, 303, 308; 4/630, 631,  
4/637, 638, 661

See application file for complete search history.

(56) **References Cited**

**U.S. PATENT DOCUMENTS**

D193,605 S \* 9/1962 Corp ..... D23/284  
D246,463 S \* 11/1977 Doman ..... D23/284  
D538,901 S \* 3/2007 Zho ..... D23/293.1  
D542,892 S \* 5/2007 Miyamoto ..... D23/292  
D560,784 S \* 1/2008 Marshall et al. .... D23/293.1

\* cited by examiner

*Primary Examiner*—Robert A Delehanty

(74) *Attorney, Agent, or Firm*—Venable LLP; Robert Kinberg; Justine A. Gozzi

(57) **CLAIM**

The ornamental designs for a sink, as shown and described in the accompanying drawings.

**DESCRIPTION**

FIG. 1 is a front view of a design of a series relating to a sink;

FIG. 2 is a rear view thereof;

FIG. 3 is a top view thereof;

FIG. 4 is a bottom view thereof;

FIG. 5 is a right side view thereof;

FIG. 6 is a left side view thereof;

FIG. 7 is a perspective view thereof;

FIG. 8 is a top view of a design of a series relating to a sink;

FIG. 9 is a right view thereof;

FIG. 10 is a bottom side view thereof;

FIG. 11 is a left side view thereof;

FIG. 12 is a rear view thereof;

FIG. 13 is a front view thereof; and,

FIG. 14 is a perspective view thereof.

The broken line showing of a sink is for the purpose of illustrating environmental structure and forms no part of the claimed design. The broken line(s) which define the bounds of the claimed design form no part thereof.

**1 Claim, 3 Drawing Sheets**

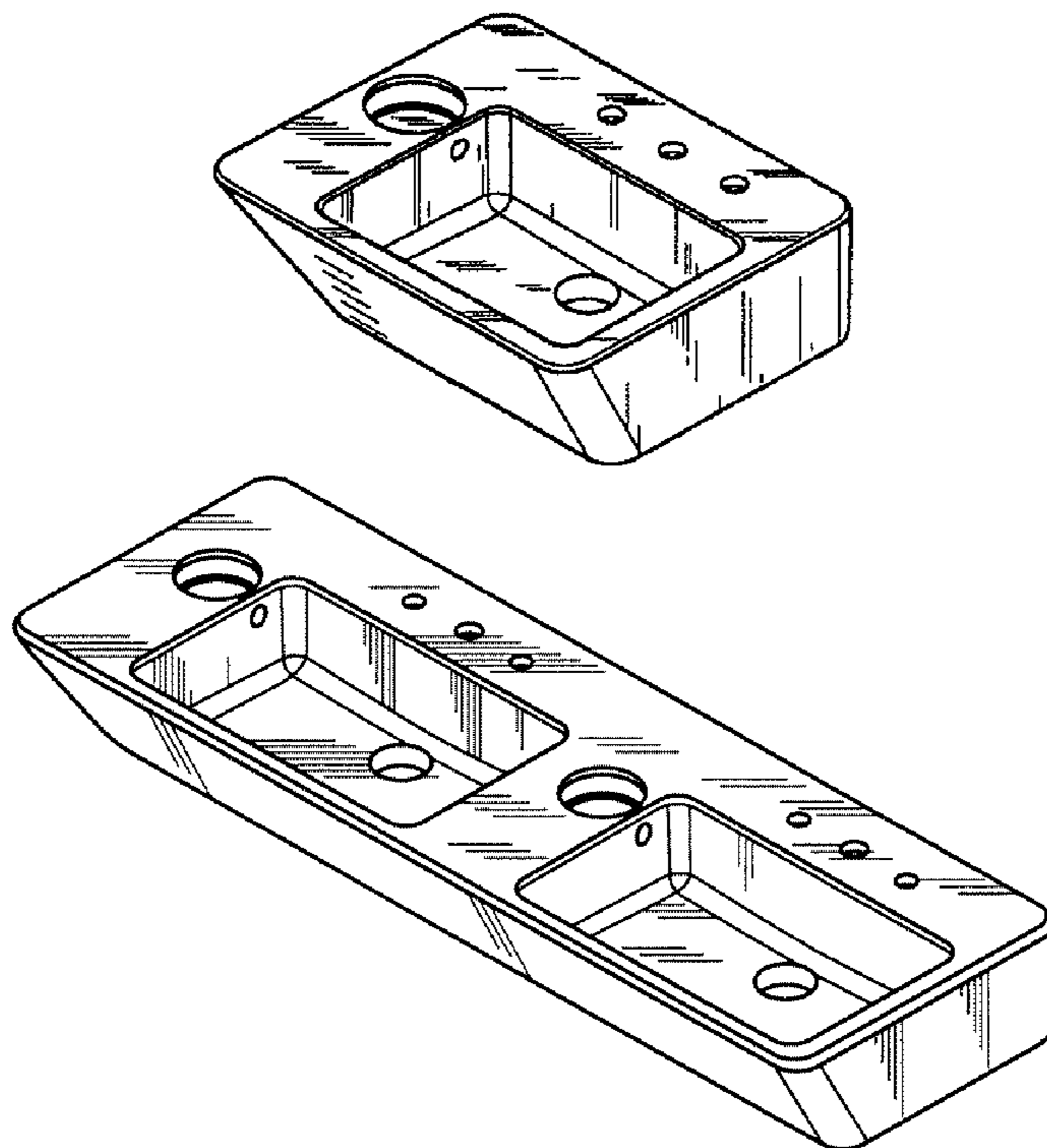


FIG. 1

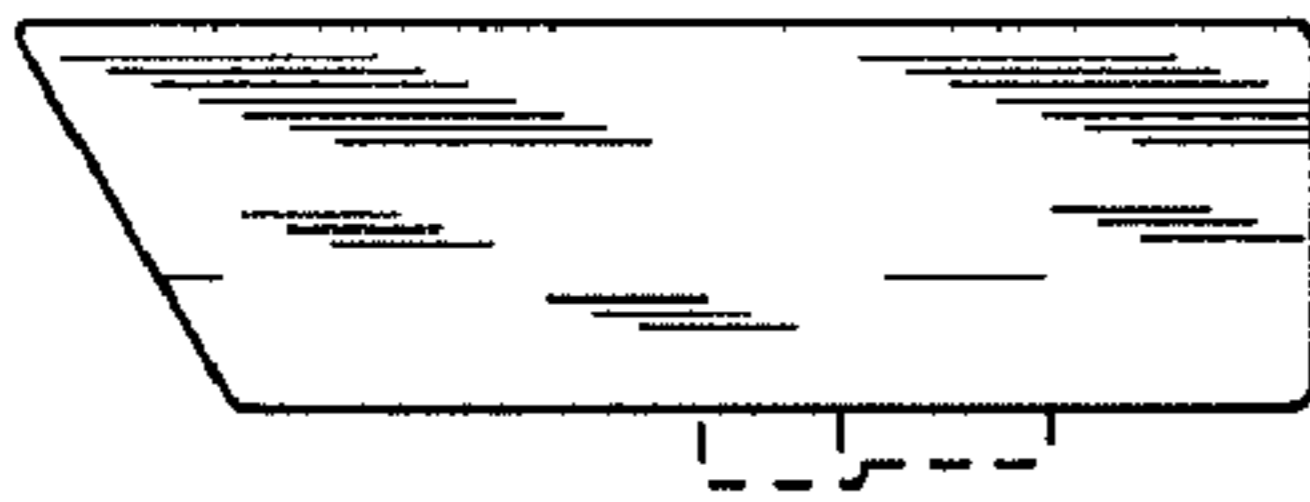


FIG. 2

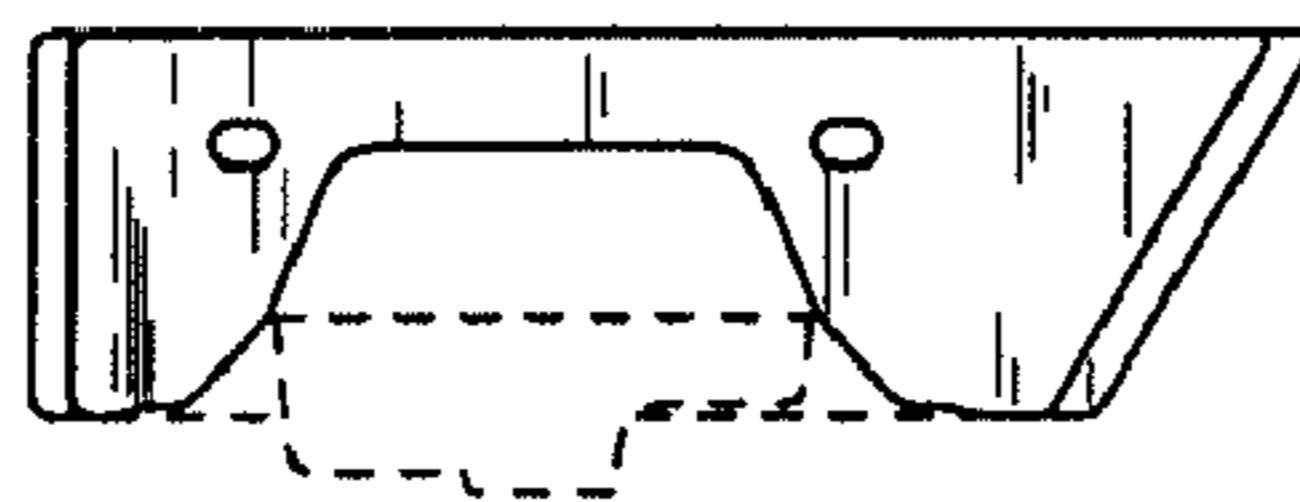


FIG. 3

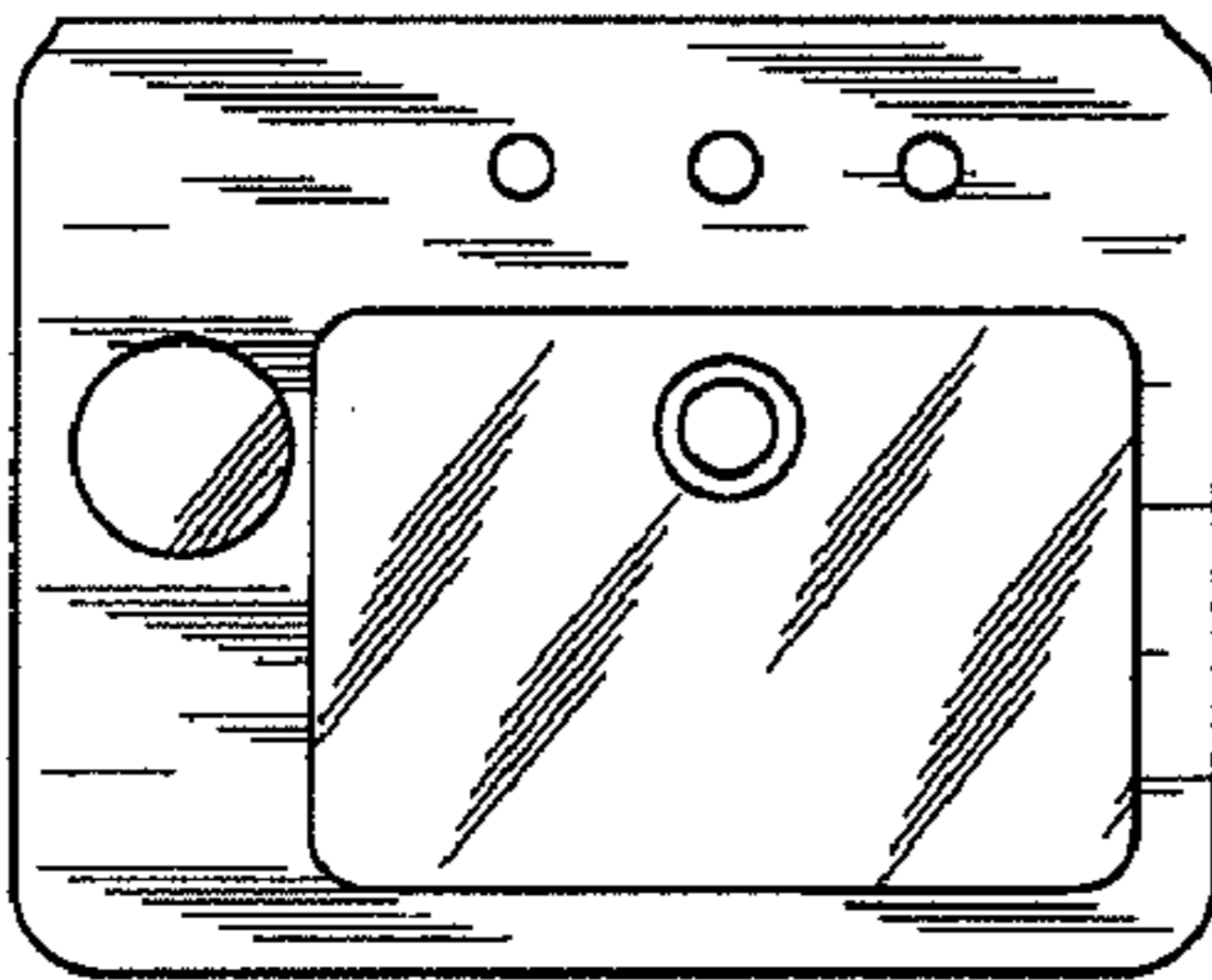


FIG. 4

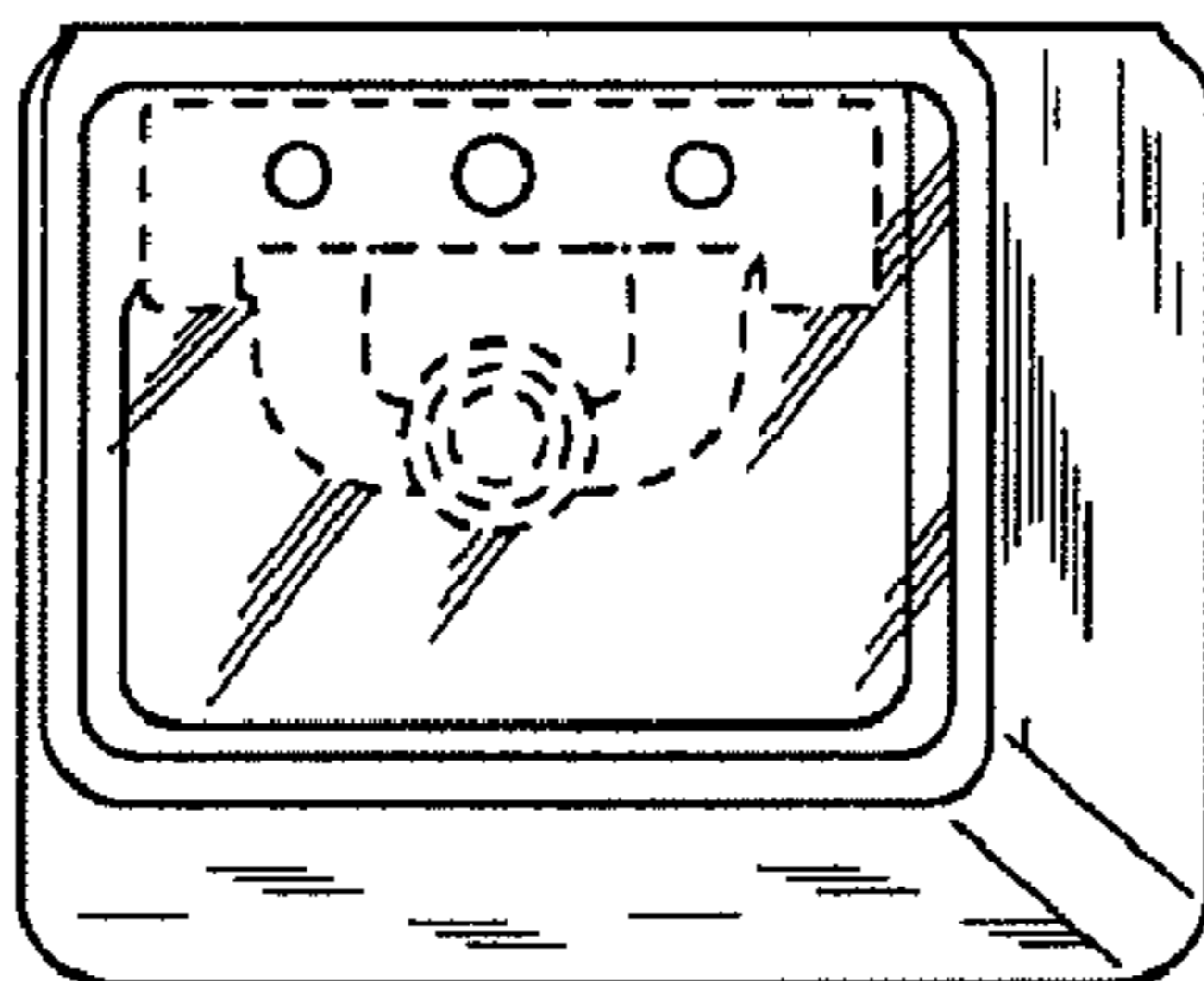


FIG. 7

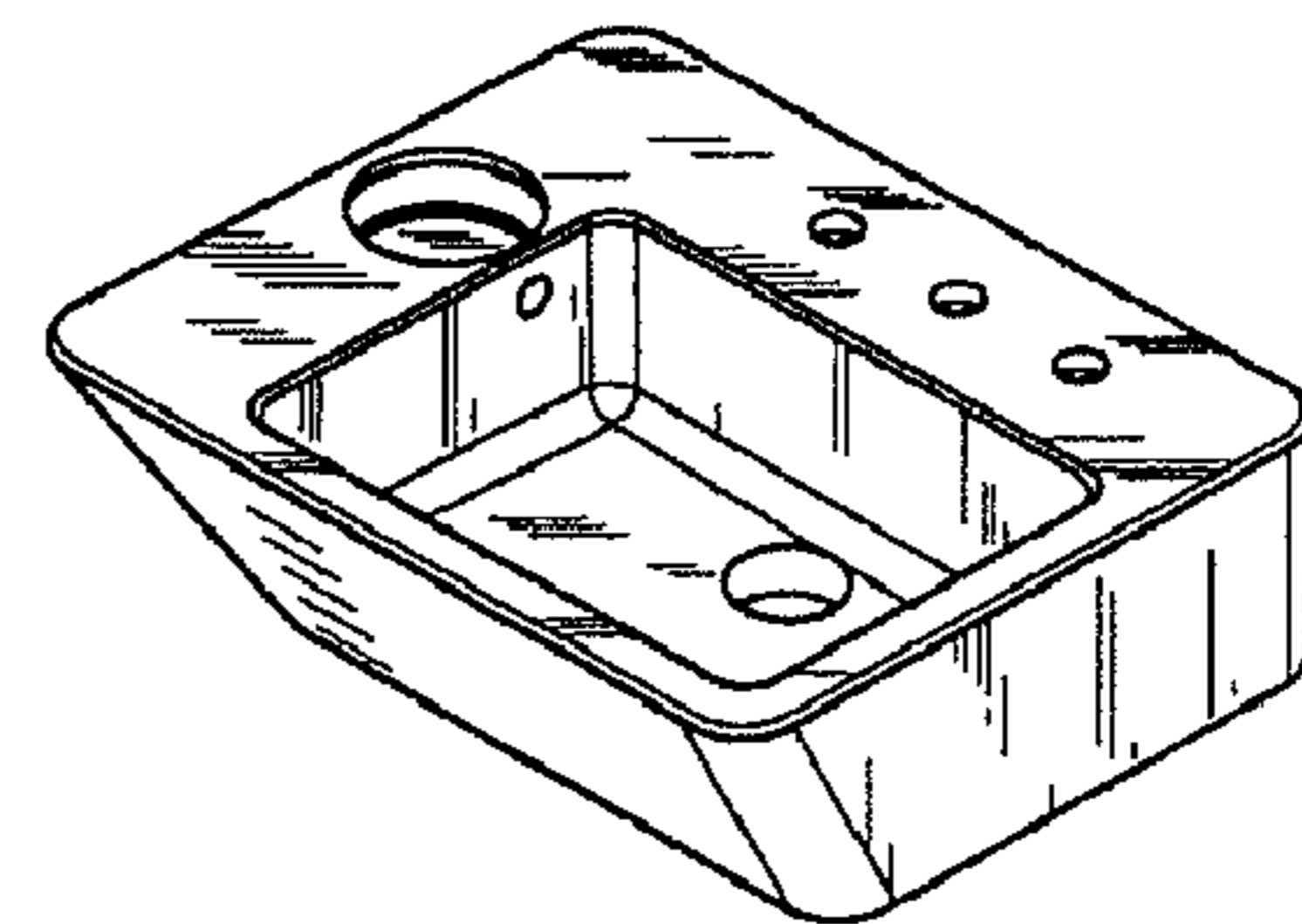


FIG. 5

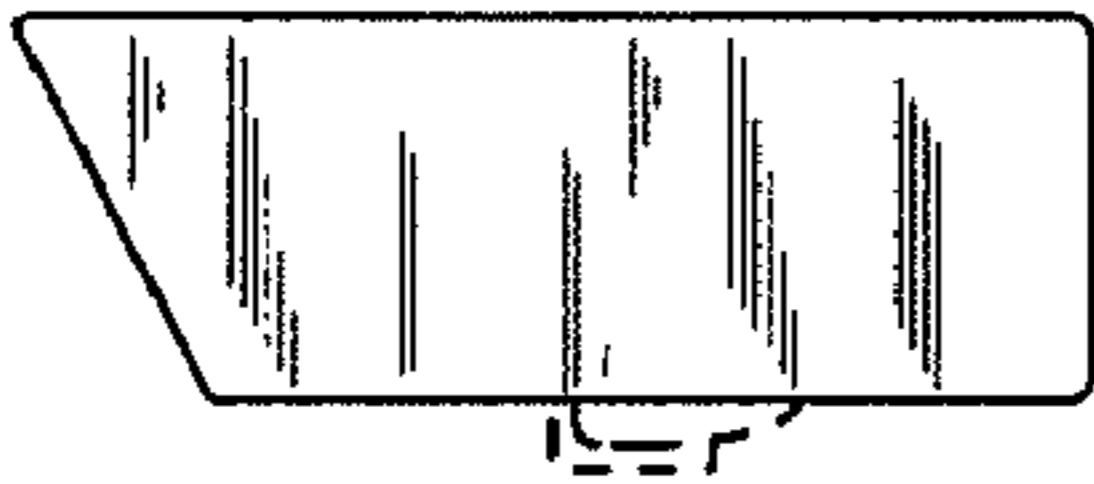


FIG. 6



FIG. 8

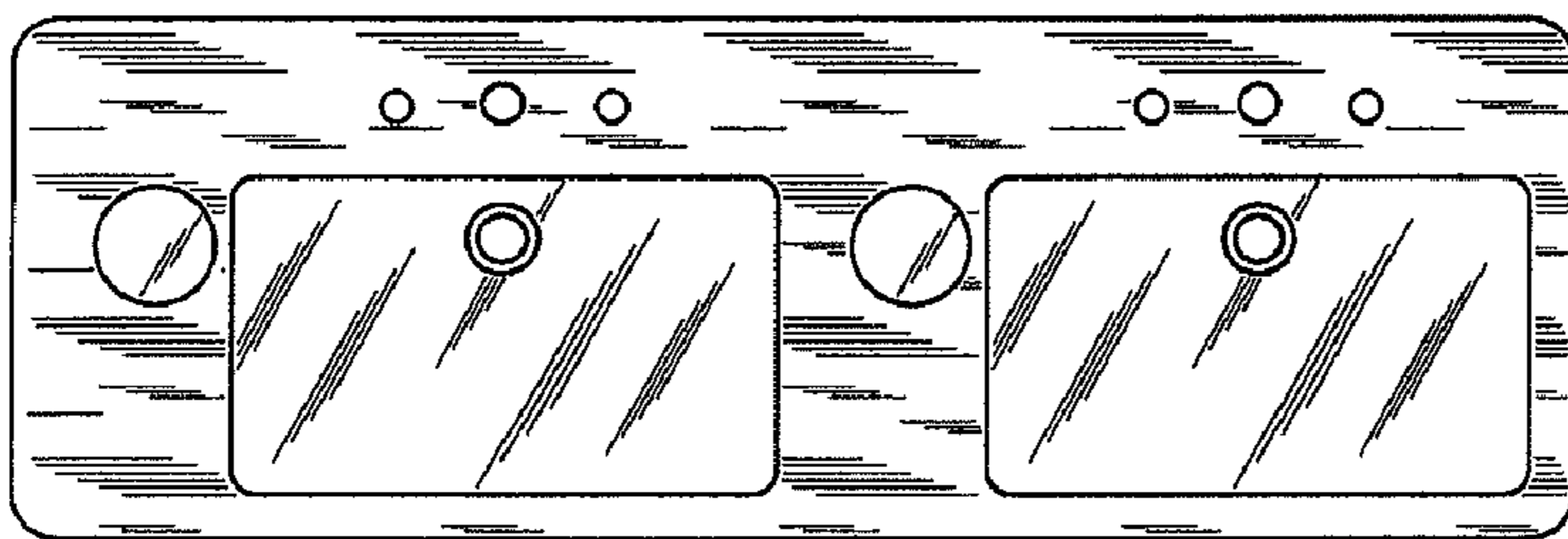


FIG. 9

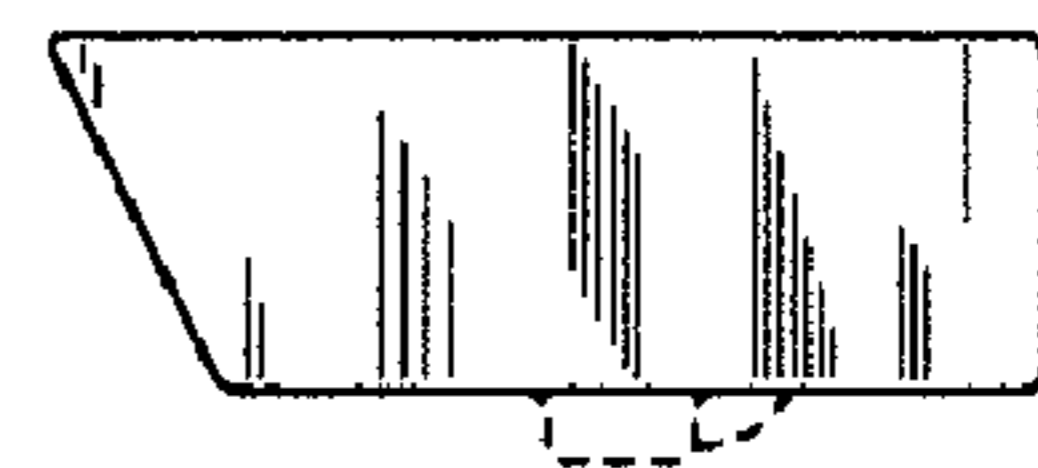


FIG. 10

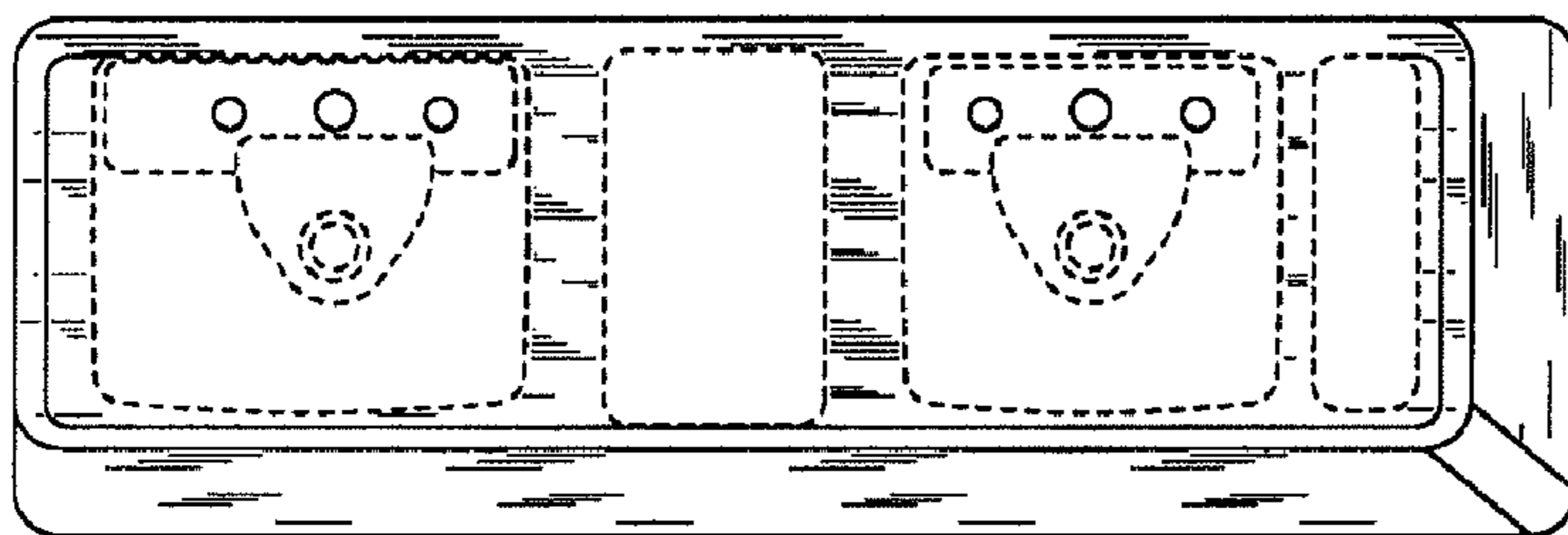


FIG. 11

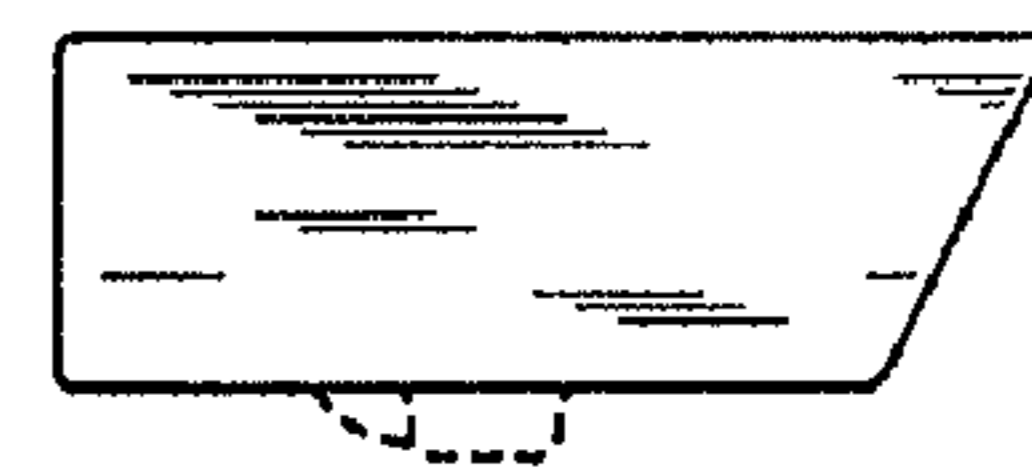


FIG. 12

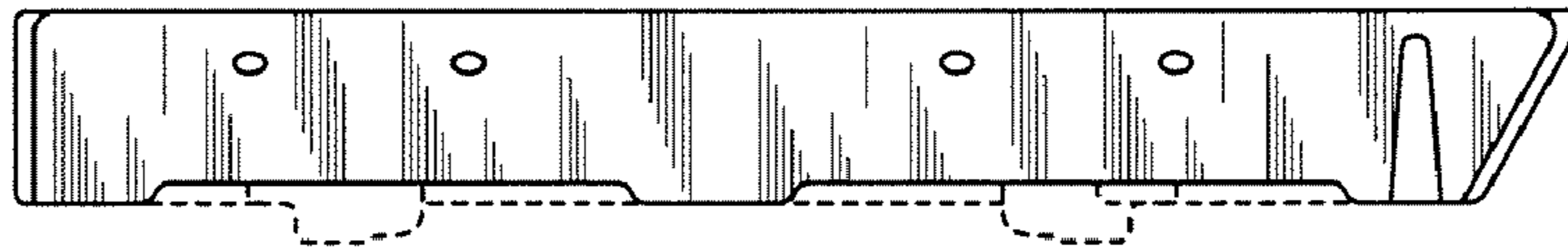


FIG. 13



FIG. 14

