



US00D592289S

(12) **United States Design Patent**
Williams et al.

(10) **Patent No.:** **US D592,289 S**
(45) **Date of Patent:** **** May 12, 2009**

(54) **SOAKING TUB**

D483,444 S * 12/2003 Lebrun et al. D23/277
D524,925 S * 7/2006 Lanius D23/280.1

(75) Inventors: **Emilie A. Williams**, Chicago, IL (US);
Marc Bickler, Charlotte, NC (US);
Victor Hoernig, Lowell, IN (US)

* cited by examiner

Primary Examiner—Robert A Delehanty

(73) Assignee: **Masco Bath Corporation**, Moorestown,
NJ (US)

(74) *Attorney, Agent, or Firm*—Niray D. Parikh; Edgar A.
Zarins

(**) Term: **14 Years**

(57) **CLAIM**

(21) Appl. No.: **29/306,501**

The ornamental design for a soaking tub, as shown and
described.

(22) Filed: **Apr. 10, 2008**

DESCRIPTION

(51) **LOC (9) Cl.** **23-02**

FIG. 1 is a front perspective view of a soaking tub showing
our new design;

(52) **U.S. Cl.** **D23/277**

FIG. 2 is a front elevational view thereof;

(58) **Field of Classification Search** D23/293,

FIG. 3 is a rear elevational view thereof;

D23/275–280.1, 303, 304–306; D24/204;

FIG. 4 is a right side elevational view thereof;

4/663, 538–539, 541.1, 546, 586, 574.1

FIG. 5 is a left side elevational view thereof; and,

See application file for complete search history.

FIG. 6 is a top plan view thereof.

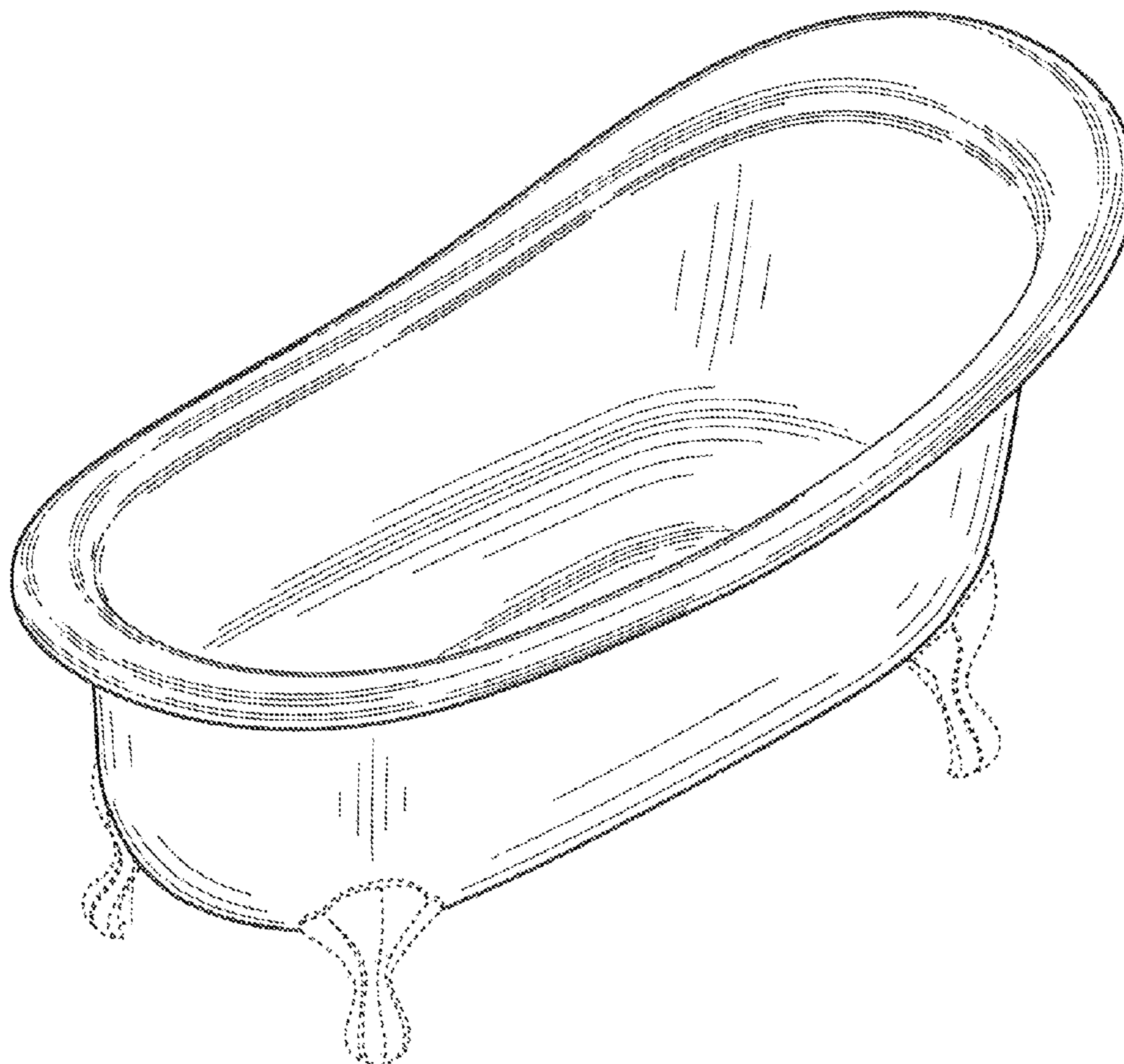
(56) **References Cited**

The broken lines in the Figures showing the clawfeet and
drain are for illustrative purposes only and form no part of the
claimed design.

U.S. PATENT DOCUMENTS

818,854 A * 4/1906 Rossdam 4/575.1
D235,106 S * 5/1975 Doman D23/280.4
D252,941 S * 9/1979 Fairchild D23/280.1
D460,538 S * 7/2002 Jacuzzi D23/280.1

1 Claim, 4 Drawing Sheets



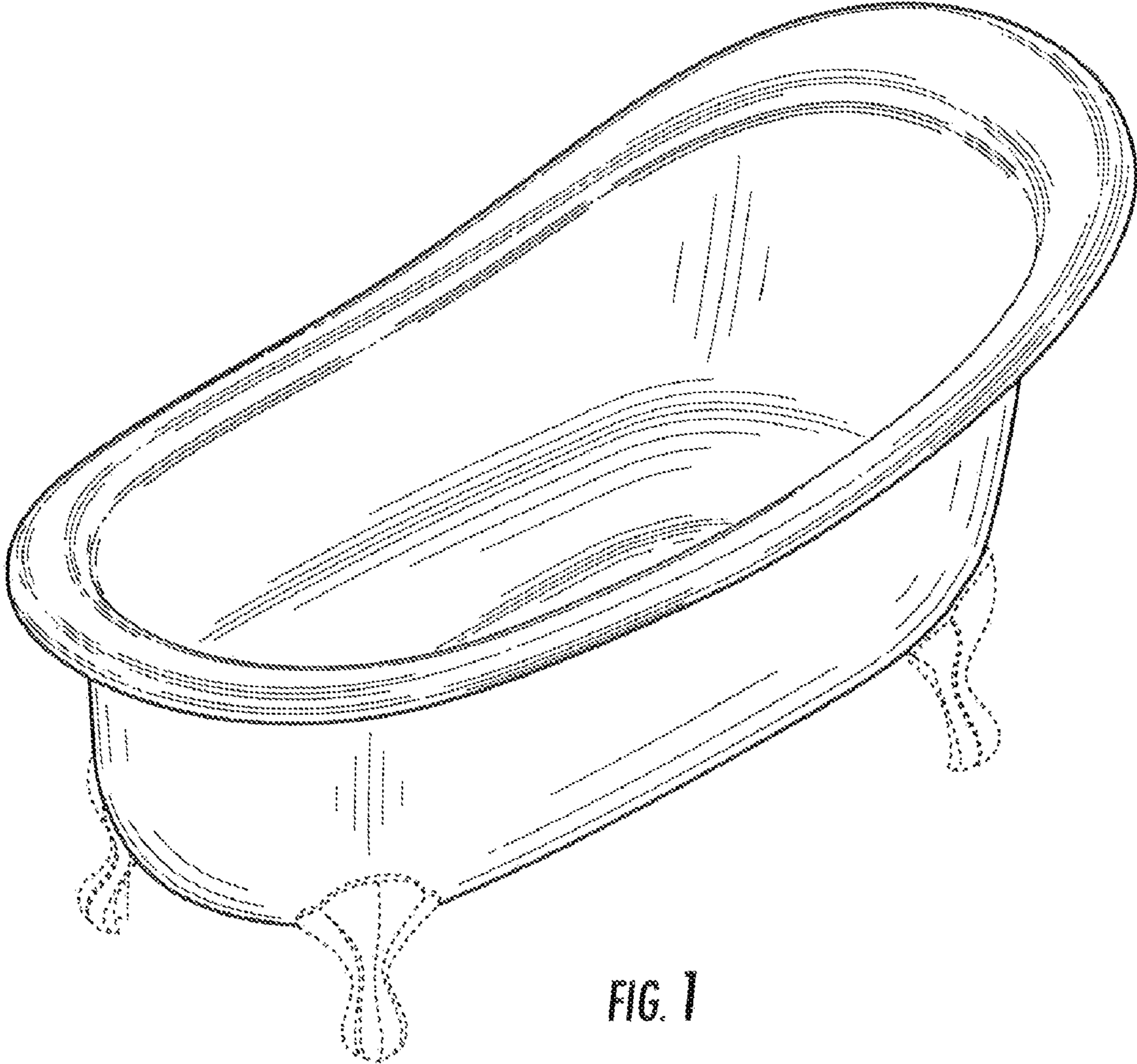


FIG. 1

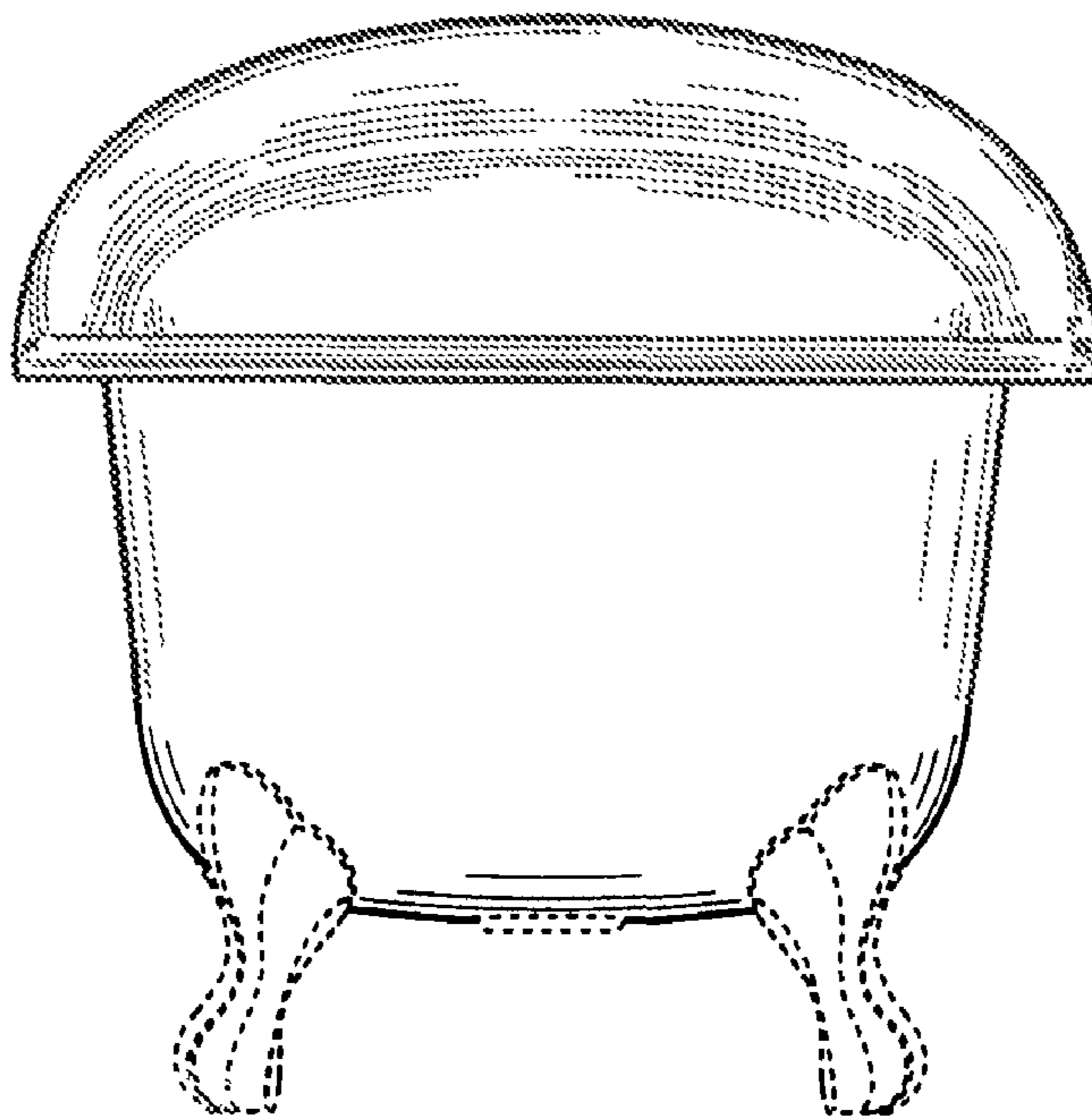


FIG. 2

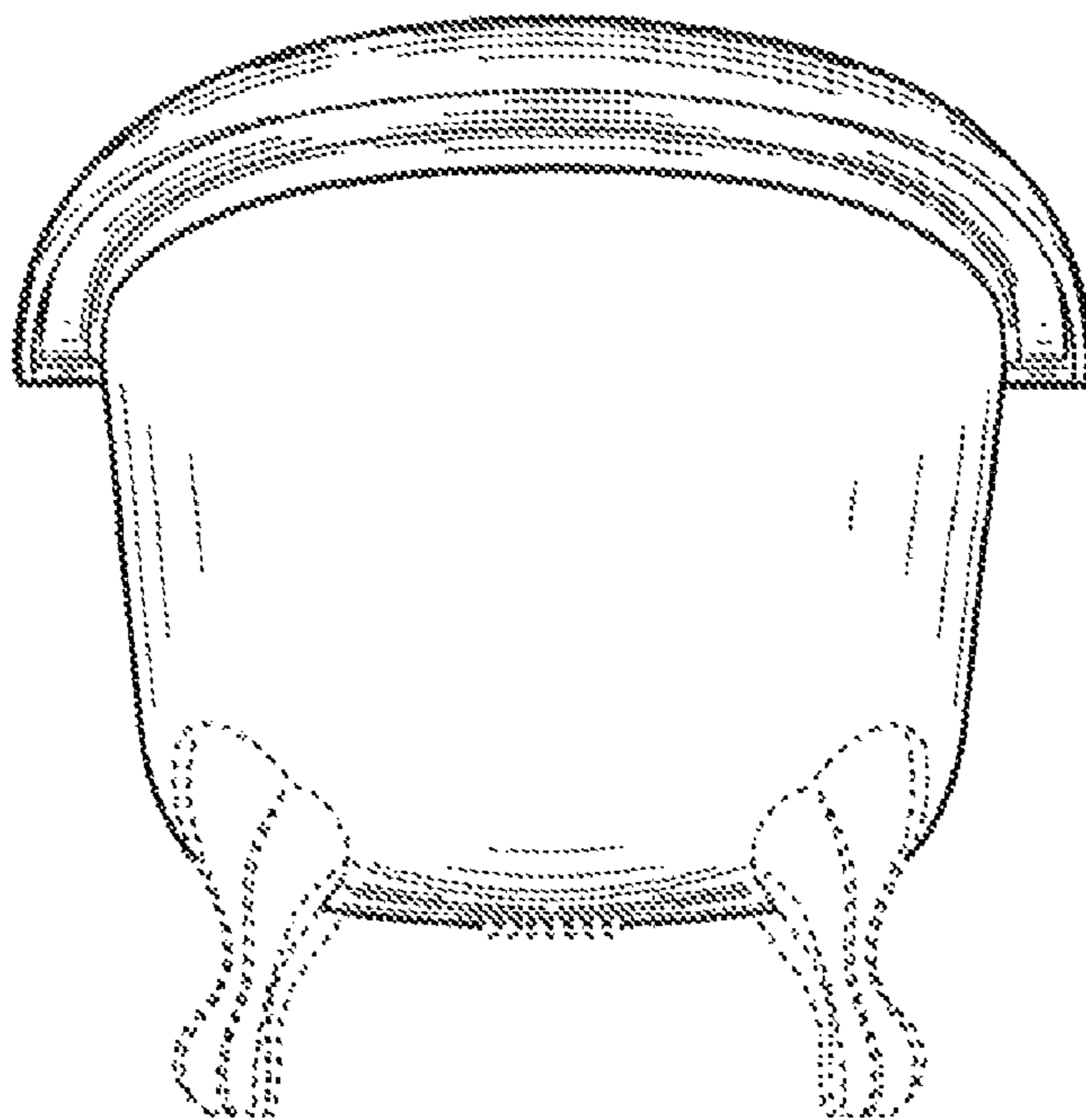


FIG. 3

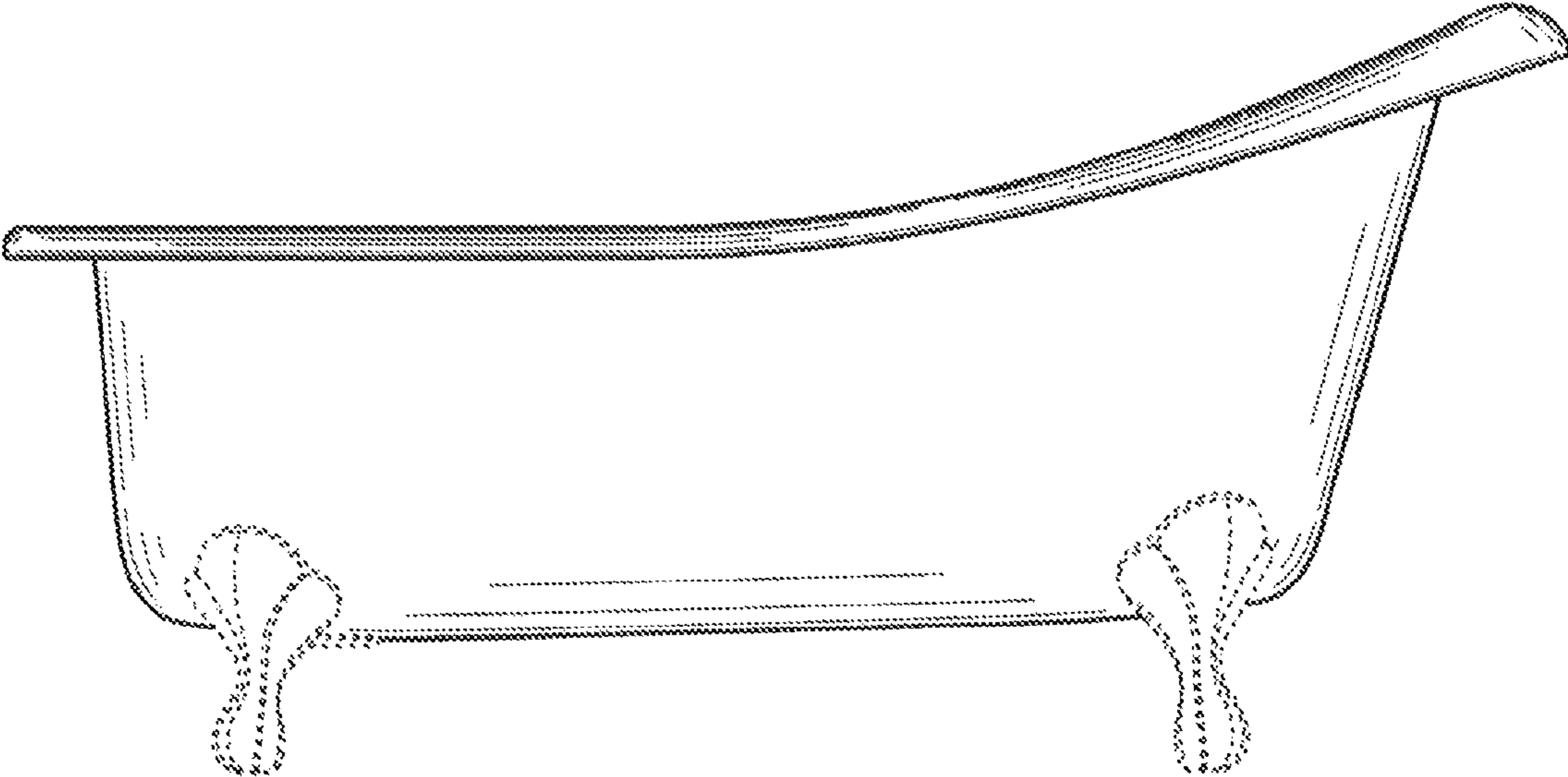


FIG. 4

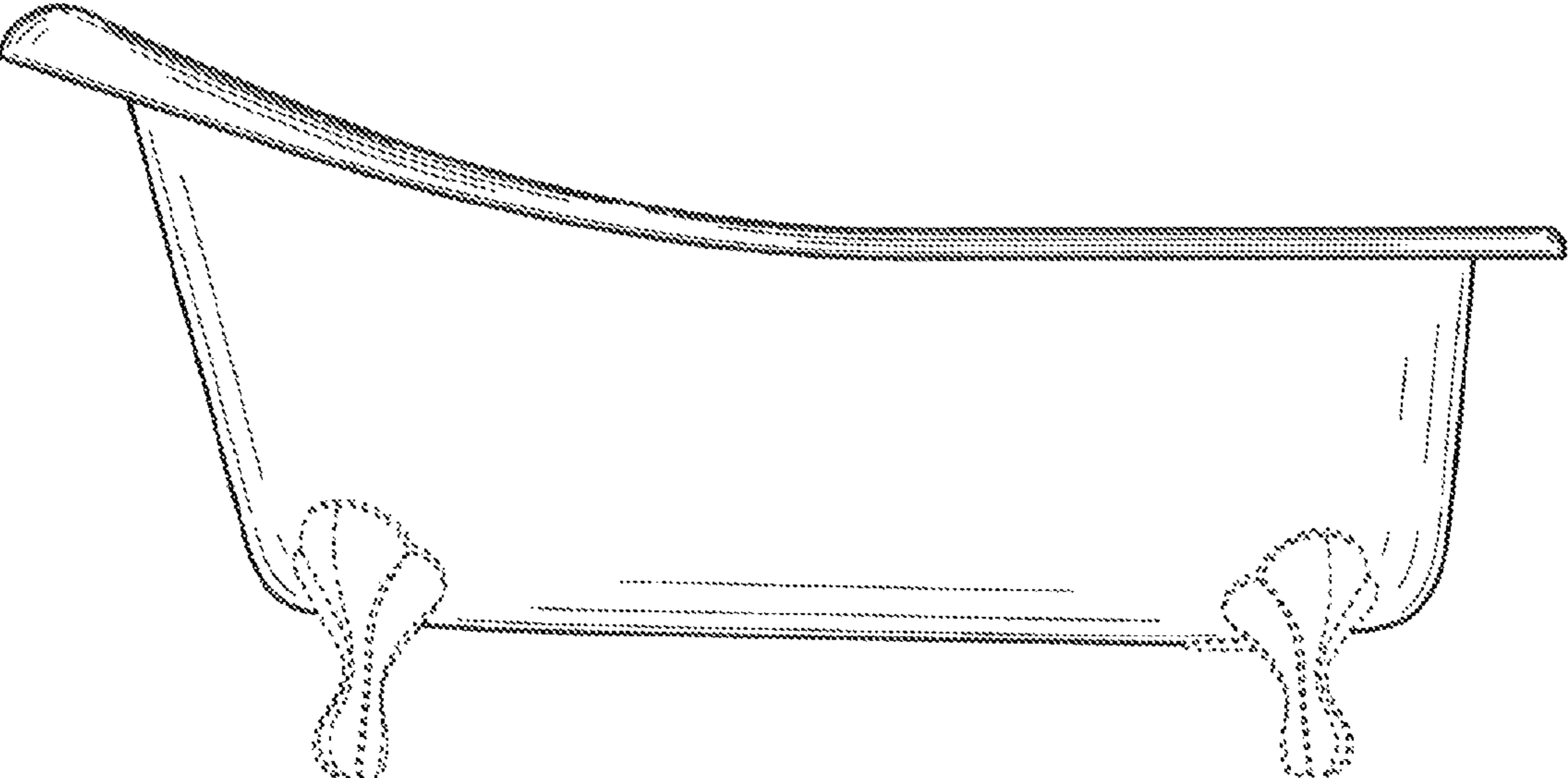


FIG. 5

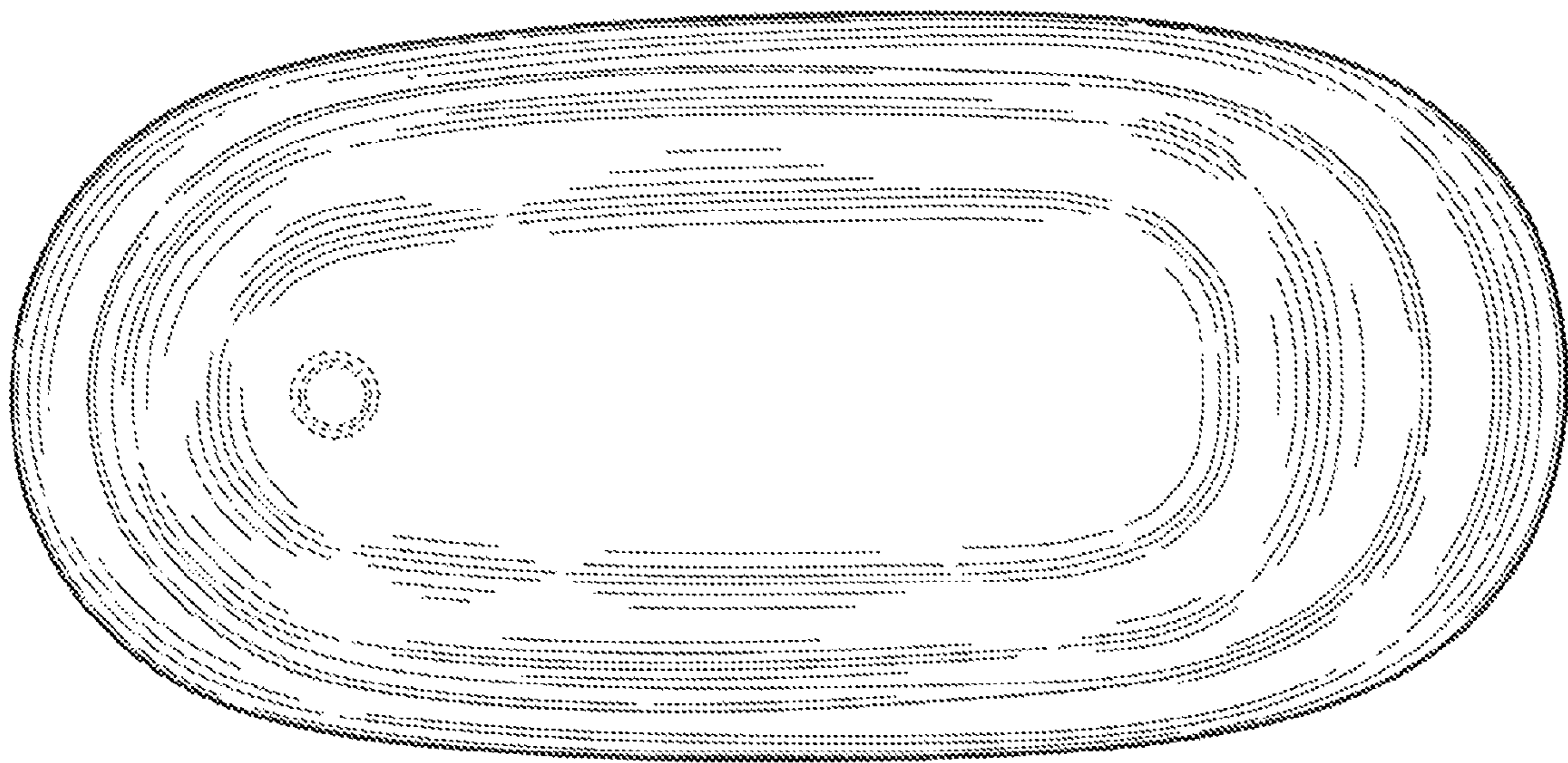


FIG. 6