



US00D592287S

(12) **United States Design Patent**  
**Lammel et al.**

(10) **Patent No.:** **US D592,287 S**

(45) **Date of Patent:** **\*\* May 12, 2009**

(54) **MIXING TAP**

(75) Inventors: **Michael Lammel**, Aachen (DE);  
**Michael Zeisel**, Aachen (DE)

(73) Assignee: **Hansa Metallwerke AG**, Stuttgart (DE)

(\*\*) Term: **14 Years**

(21) Appl. No.: **29/325,854**

(22) Filed: **Oct. 7, 2008**

(30) **Foreign Application Priority Data**

Apr. 8, 2008 (EM) ..... 000910443-0002

(51) **LOC (9) Cl.** ..... **23-01**

(52) **U.S. Cl.** ..... **D23/255**

(58) **Field of Classification Search** ..... D23/250–252,  
D23/255–257, 238–243; 4/675–678; 137/801  
See application file for complete search history.

(56) **References Cited**

**U.S. PATENT DOCUMENTS**

D311,241 S \* 10/1990 Strignano ..... D23/241  
D527,807 S \* 9/2006 Haug et al. .... D23/255  
D531,268 S \* 10/2006 Bouroullec et al. .... D23/238

\* cited by examiner

*Primary Examiner*—Robert A Delehanty  
(74) *Attorney, Agent, or Firm*—Factor & Lake, Ltd.

(57) **CLAIM**

The ornamental design for mixing tap, as shown and described.

**DESCRIPTION**

This application is related to U.S. Patent Application Ser. Nos. 29/325,844 entitle mixing tap; 29/325,859 entitle mixing tap; 29/325,861 entitle mixing tap; 29/325,863 entitle mixing tap all of which were simultaneously filed on Oct. 7, 2008.

FIG. 1 is a perspective view of the mixing tap showing a new ornamental design thereof;

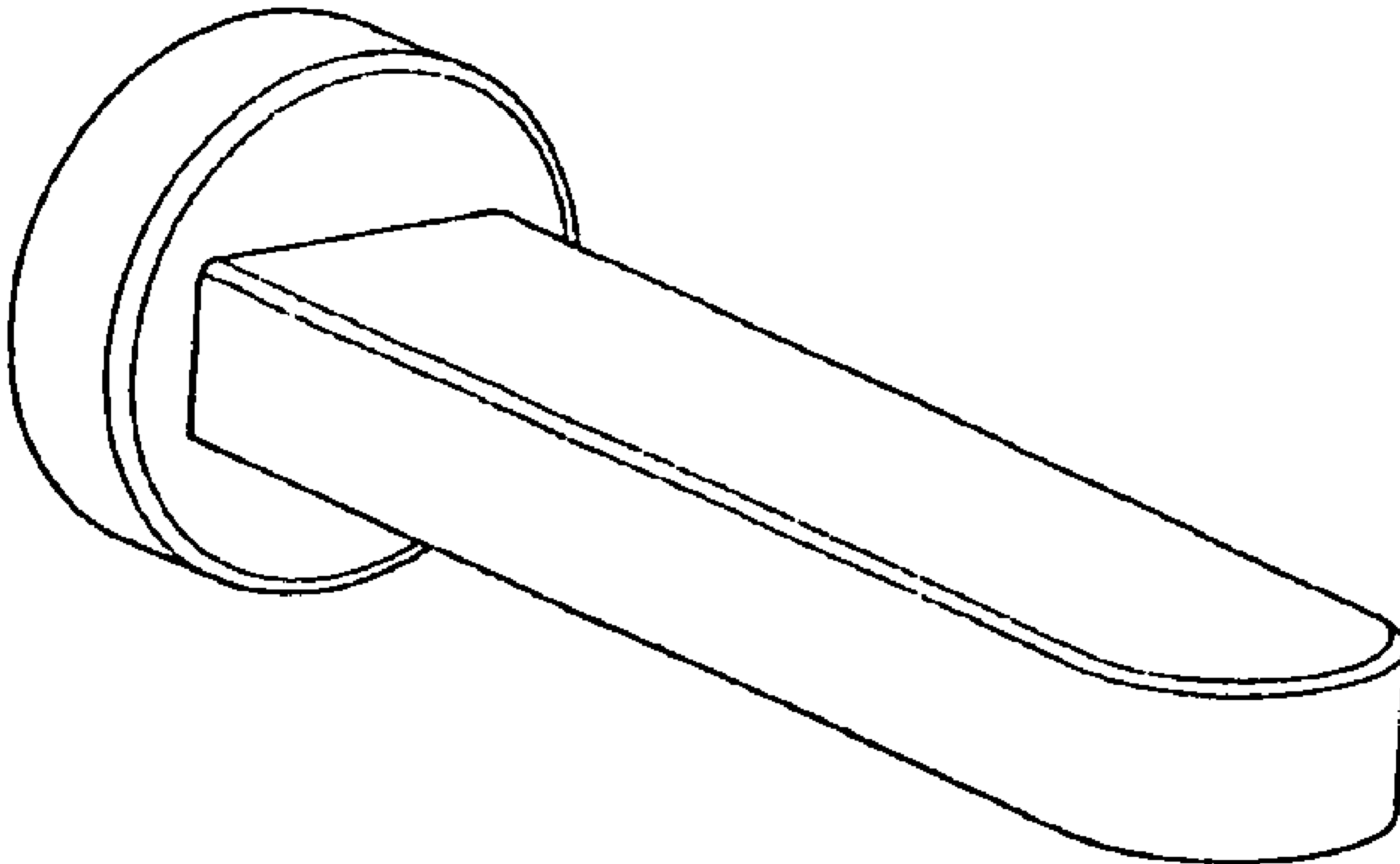
FIG. 2 is a front elevation view of the mixing tap shown in FIG. 1;

FIG. 3 is a left side elevation view of the mixing tap shown in FIG. 1;

FIG. 4 is a right side elevation view of the mixing tap shown in FIG. 1; and,

FIG. 5 is a top plan view of the mixing tap shown in FIG. 1.

**1 Claim, 5 Drawing Sheets**



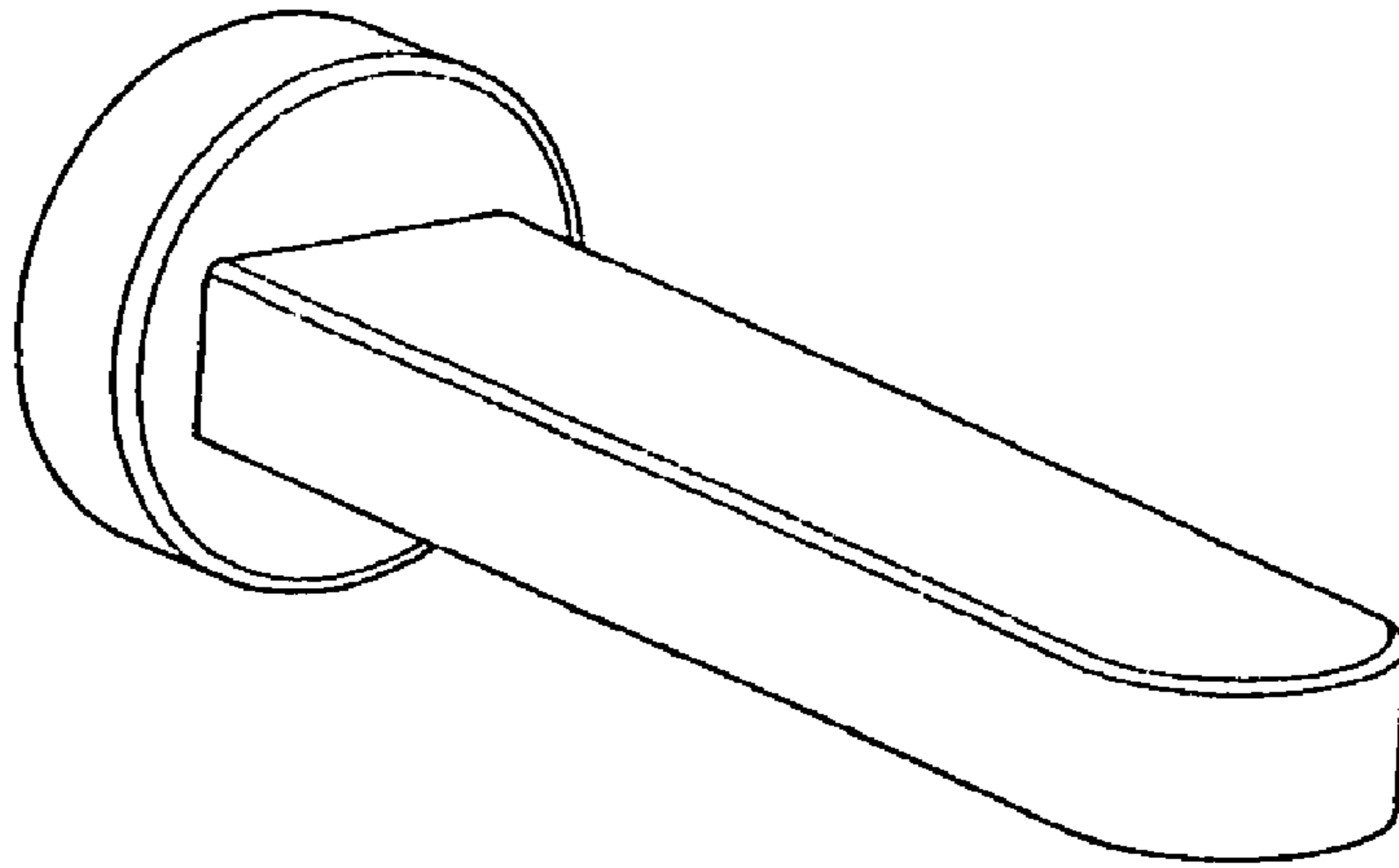


Fig. 1

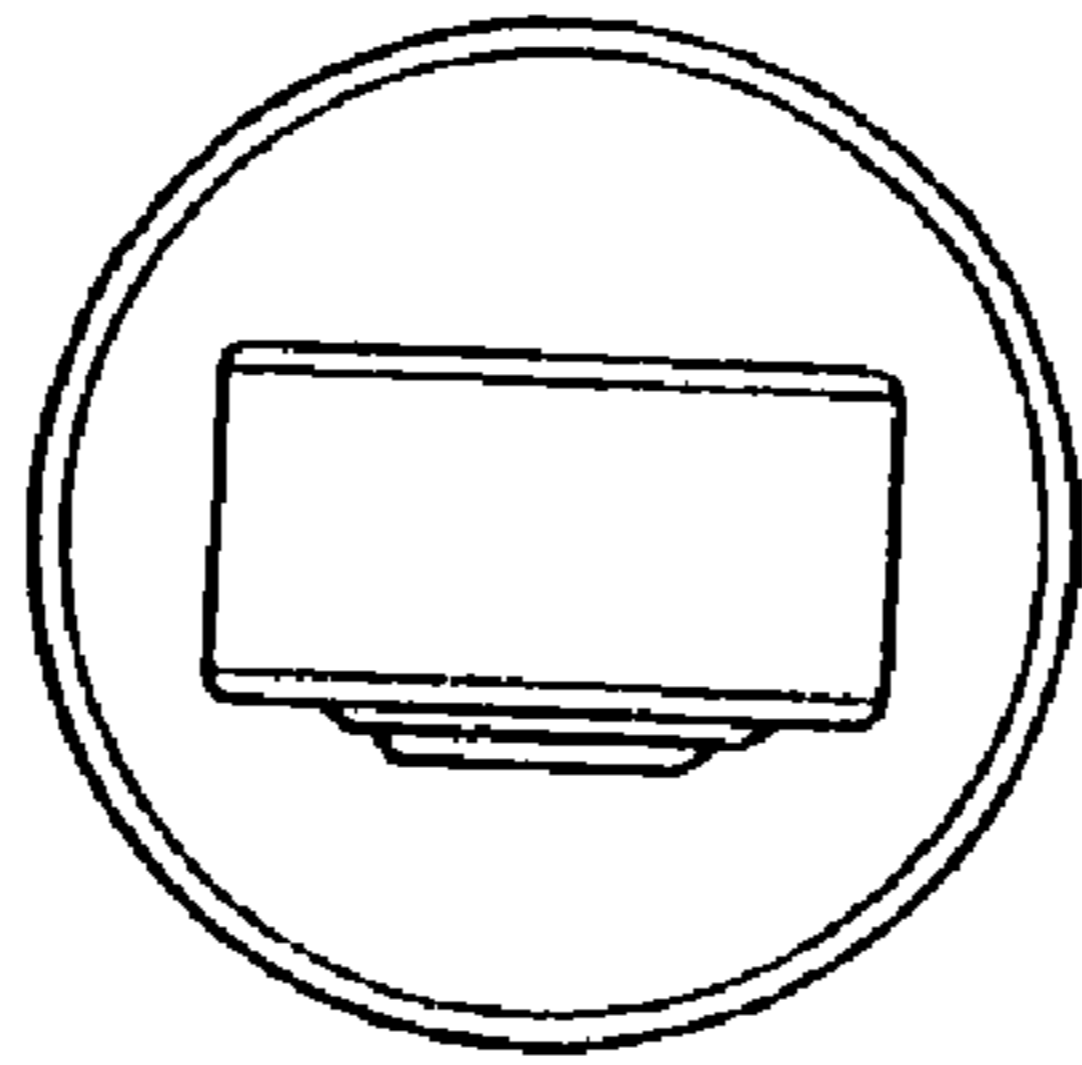


Fig. 2

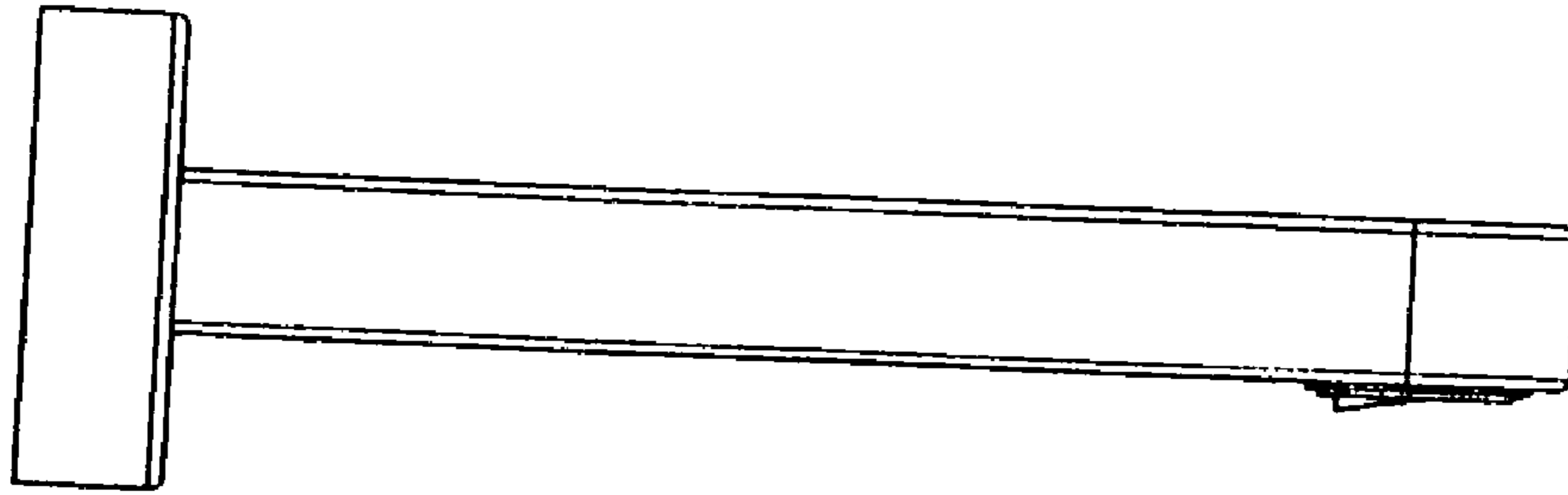


Fig. 3

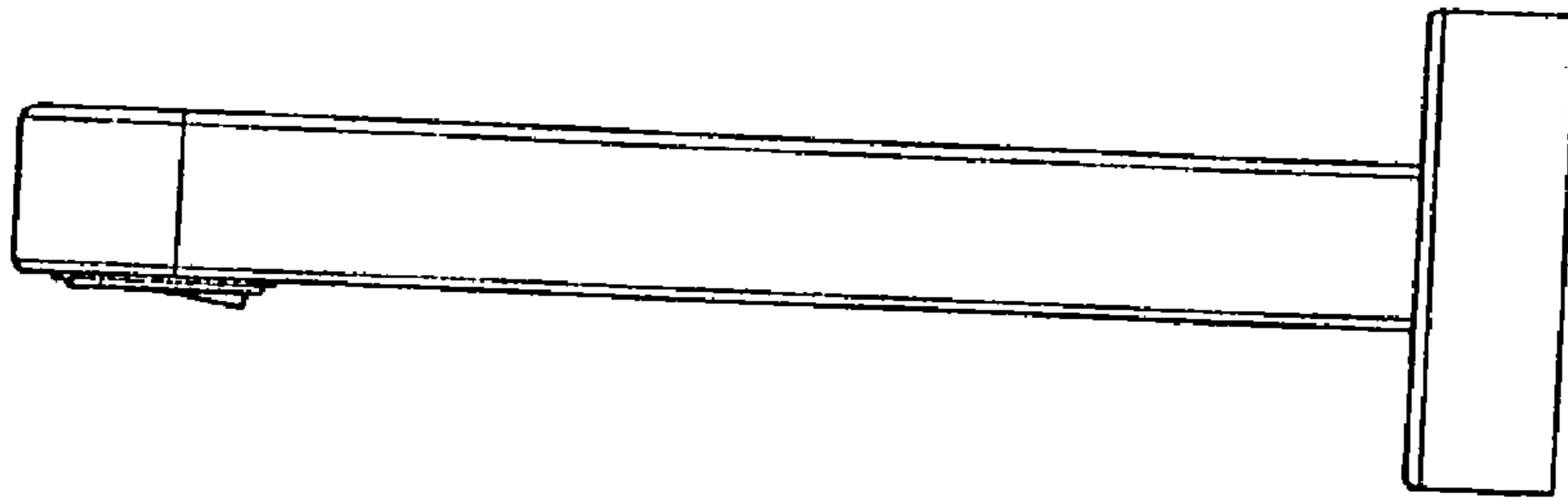


Fig. 4

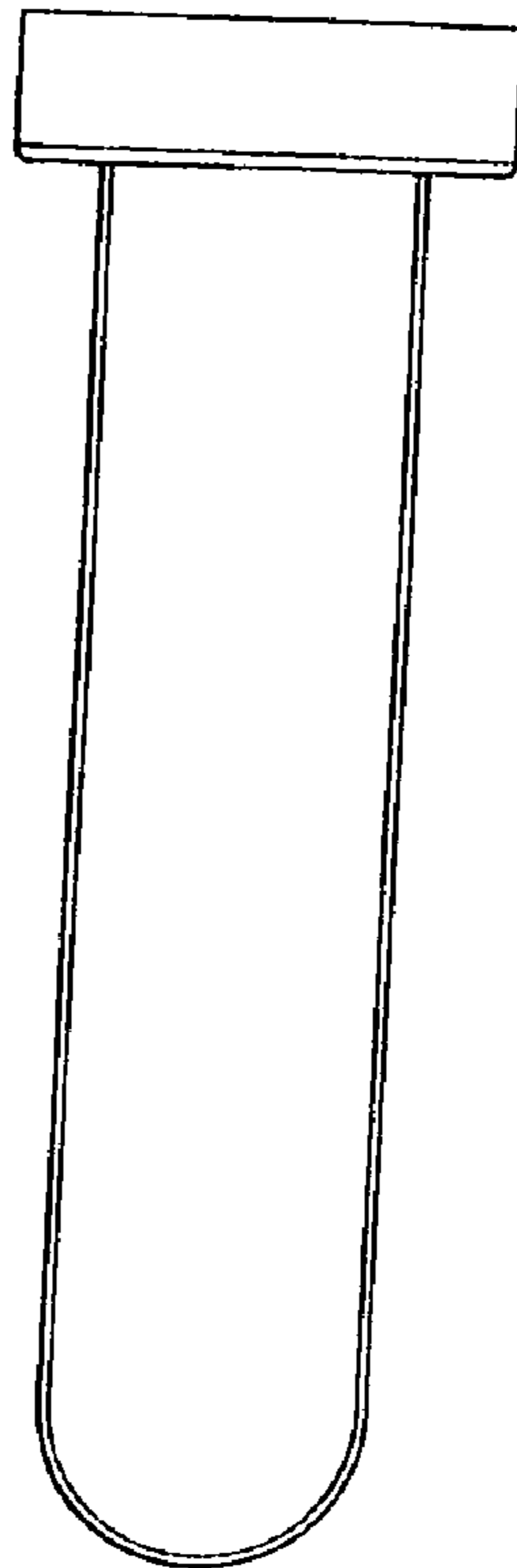


Fig. 5