



US00D592286S

(12) **United States Design Patent**  
**Berberet**

(10) **Patent No.:** **US D592,286 S**

(45) **Date of Patent:** **\*\* May 12, 2009**

(54) **PLUMBING FITTING**

(75) Inventor: **Suzanne M. Berberet**, Sheboygan, WI (US)

(73) Assignee: **Kohler Co.**, Kohler, WI (US)

(\*\*) Term: **14 Years**

(21) Appl. No.: **29/324,501**

(22) Filed: **Sep. 12, 2008**

**Related U.S. Application Data**

(62) Division of application No. 29/276,829, filed on Feb. 7, 2007, now Pat. No. Des. 579,088.

(51) **LOC (9) Cl.** ..... **23-01**

(52) **U.S. Cl.** ..... **D23/255**

(58) **Field of Classification Search** ..... D23/250–257, D23/238–243, 244–249; 4/675–678; D8/300, D8/307–308, 310–312, 321; D6/550; 137/801; 16/110.1, 441

See application file for complete search history.

(56) **References Cited**

**U.S. PATENT DOCUMENTS**

D513,061 S \* 12/2005 Spangler ..... D23/238  
D520,609 S \* 5/2006 Spangler ..... D23/255  
D532,871 S 11/2006 Berberet  
D533,637 S 12/2006 Berberet

**OTHER PUBLICATIONS**

Kohler Co. “Fairfax” spout. Kohler Co. online catalog. Copyright 2007 Kohler Co.

Kohler Co. “Finial Traditional Kitchen Sink Faucet wit 9<sup>3</sup>/<sub>16</sub> Spout Reach”. Model No. K-377-4P. Kohler Co. online catalog. Copyright 2007 Kohler Co.

Kohler Co. “Coralais Decorator Kitchen Sink Faucet”. Model No. K-15888-K. Kohler Co. online catalog. Copyright 2007 Kohler Co. Delta. “Michael Graves Collection”. Model No. GH691. BathandKitchenstudio.com online catalog. Copyright 2006 BathandKitchenstudio.com.

\* cited by examiner

*Primary Examiner*—Robert A Delehanty

(74) *Attorney, Agent, or Firm*—Quarles & Brady LLP

(57) **CLAIM**

The ornamental design for a plumbing fitting, as shown and described.

**DESCRIPTION**

In a preferred embodiment, the nature of this product is as a plumbing fitting in the form of a spout, or a base therefor, primary useful for washing various items and/or body parts.

FIG. 1 is a right, top, front perspective view of a plumbing fitting embodying my new design;

FIG. 2 is a right side elevational view thereof, the left side elevational view thereof being a mirror image of the right side shown;

FIG. 3 is a front elevational view thereof;

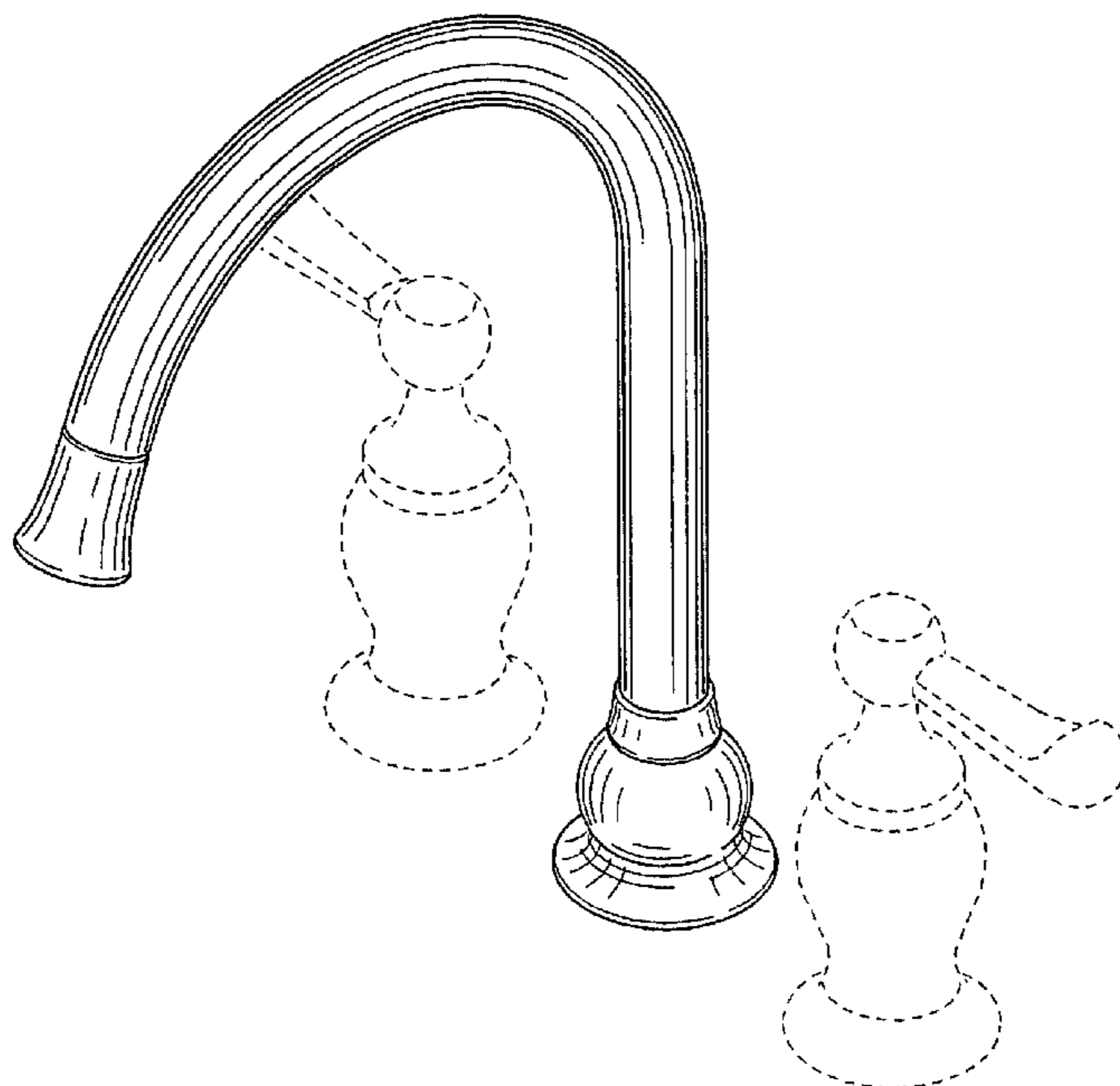
FIG. 4 is a rear elevational view thereof;

FIG. 5 is a top plan view thereof; and,

FIG. 6 is a bottom plan view thereof.

The broken line representations in the figures are for the purpose of illustration only, and form no part of the claimed design.

**1 Claim, 4 Drawing Sheets**



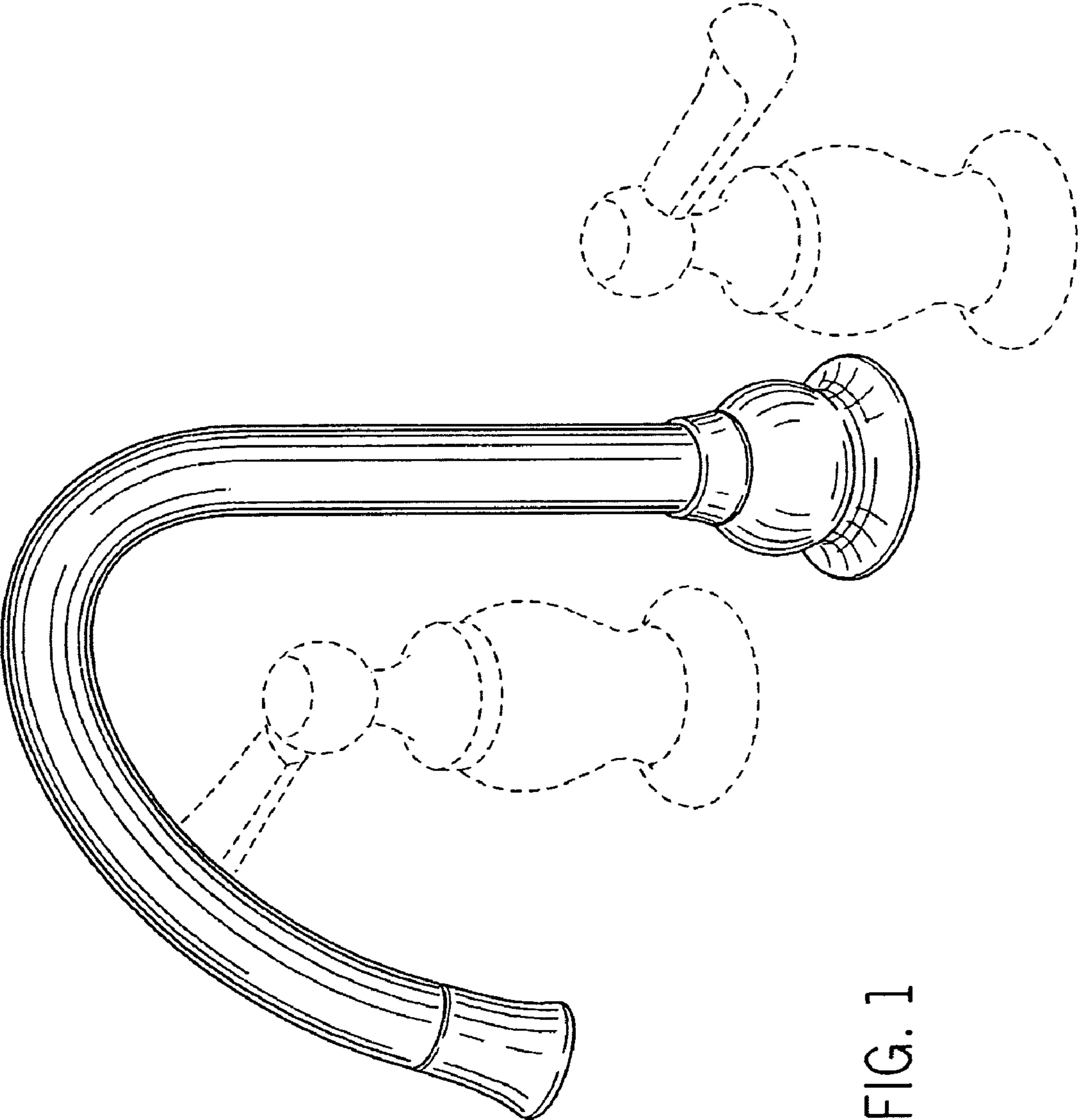


FIG. 1

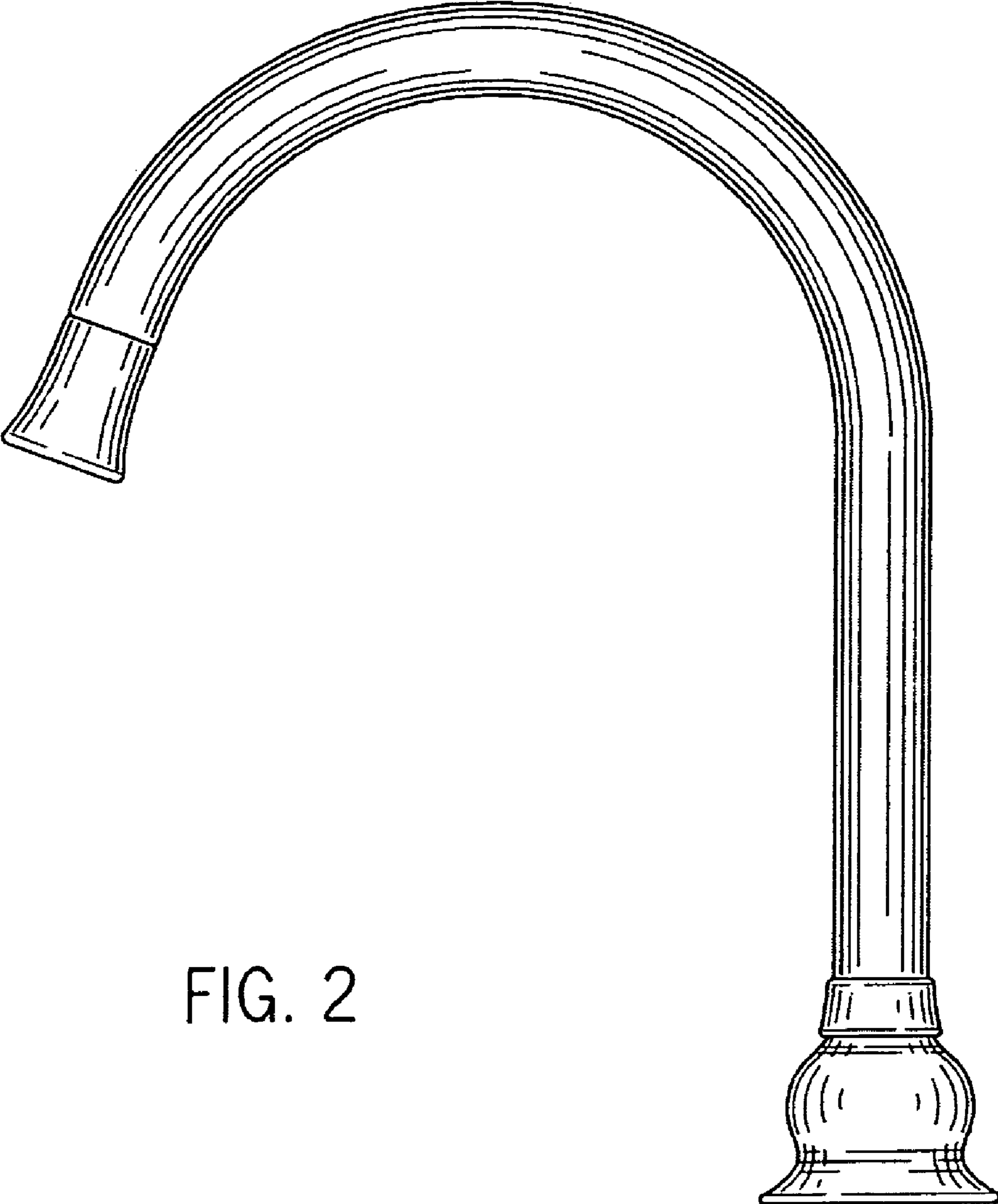


FIG. 2

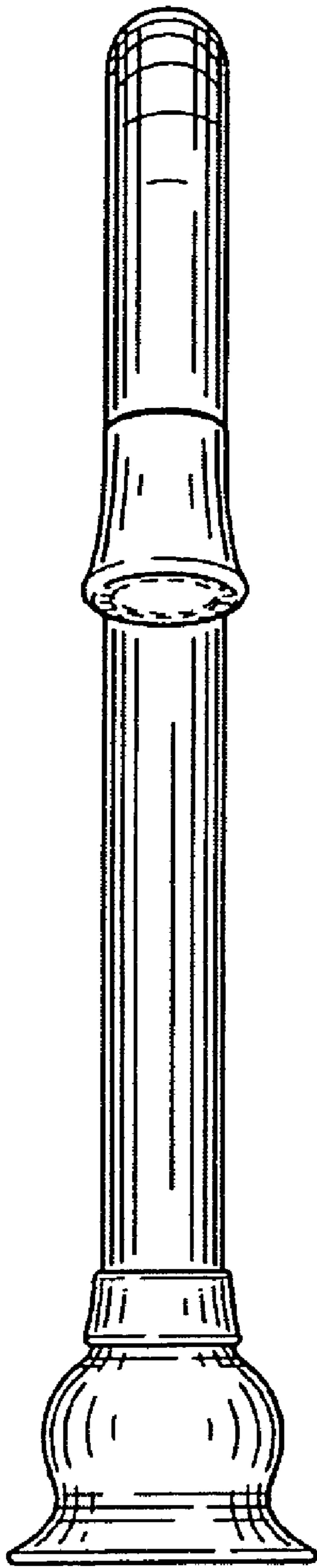


FIG. 3

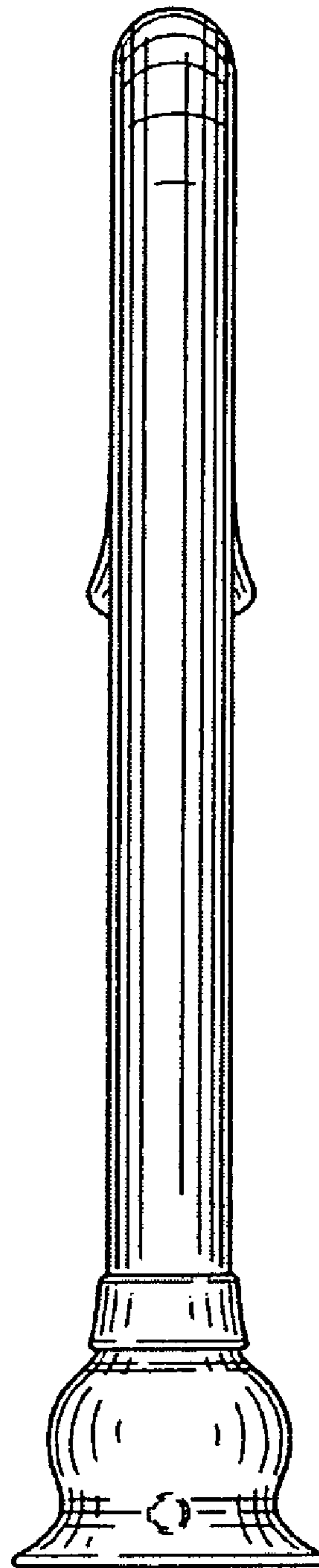


FIG. 4

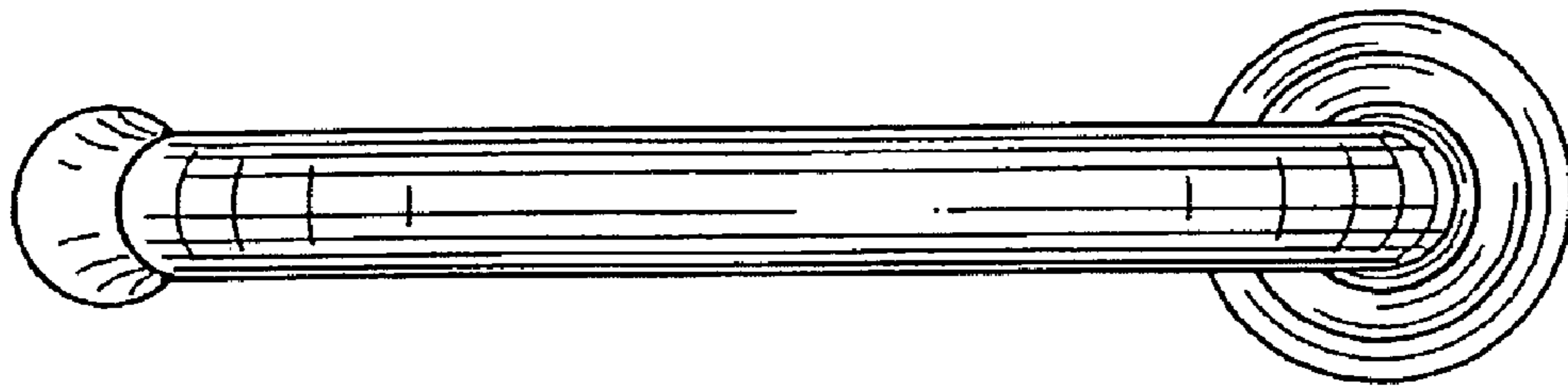


FIG. 5

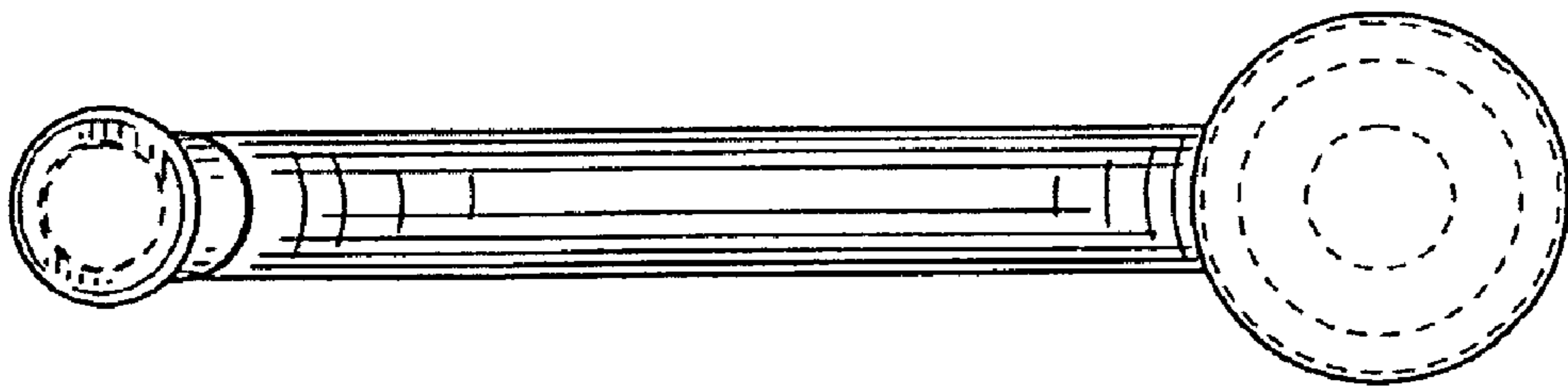


FIG. 6