



US00D592285S

(12) **United States Design Patent**
Gao et al.

(10) **Patent No.:** **US D592,285 S**
(45) **Date of Patent:** **** May 12, 2009**

(54) **TUB FILLER**

D531,705 S * 11/2006 Green D23/255

(75) Inventors: **Sissi Gao**, Xiamen (CN); **Aaron Hanna**,
Corona, CA (US)

* cited by examiner

(73) Assignee: **Newfrey LLC**, Newark, DE (US)

Primary Examiner—T. Chase Nelson

Assistant Examiner—Mark Cavanna

(**) Term: **14 Years**

(74) *Attorney, Agent, or Firm*—Richard J. Veltman; John D.
DePonti

(21) Appl. No.: **29/323,296**

(57) **CLAIM**

(22) Filed: **Aug. 22, 2008**

The ornamental design for a tub filler, as shown and
described.

(51) **LOC (9) Cl.** **23-01**

(52) **U.S. Cl.** **D23/255**

(58) **Field of Classification Search** D23/200,
D23/238–257, 304; 4/675–678; 137/801

See application file for complete search history.

DESCRIPTION

FIG. 1 is a perspective view of a tub filler showing our new
design.

FIG. 2 is a top view of a tub filler according to FIG. 1;

FIG. 3 is a bottom view of the tub filler according to FIG. 1.

FIG. 4 is a left side view of the tub filler according to FIG. 1,
with the right side view being a mirror image thereof.

FIG. 5 is a front view of the tub filler according to FIG. 1; and,

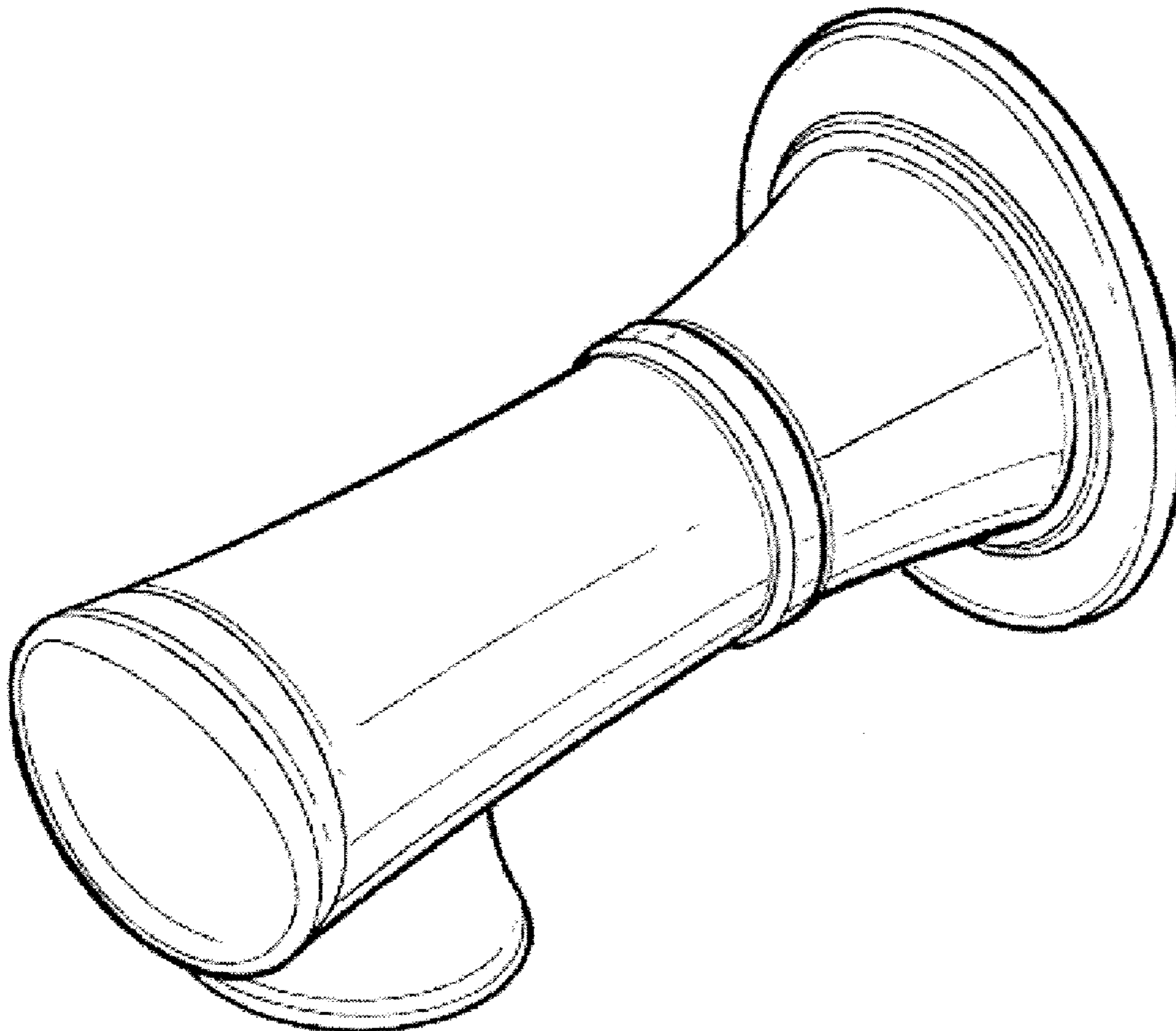
FIG. 6 is a back view of the tub filler according to FIG. 1.

(56) **References Cited**

U.S. PATENT DOCUMENTS

D317,350 S *	6/1991	Freed	D23/257
D339,412 S *	9/1993	Hill et al.	D23/255
D421,100 S *	2/2000	Green et al.	D23/255
D486,564 S *	2/2004	Graves et al.	D23/257
D512,133 S *	11/2005	Kosasih	D23/255

1 Claim, 3 Drawing Sheets



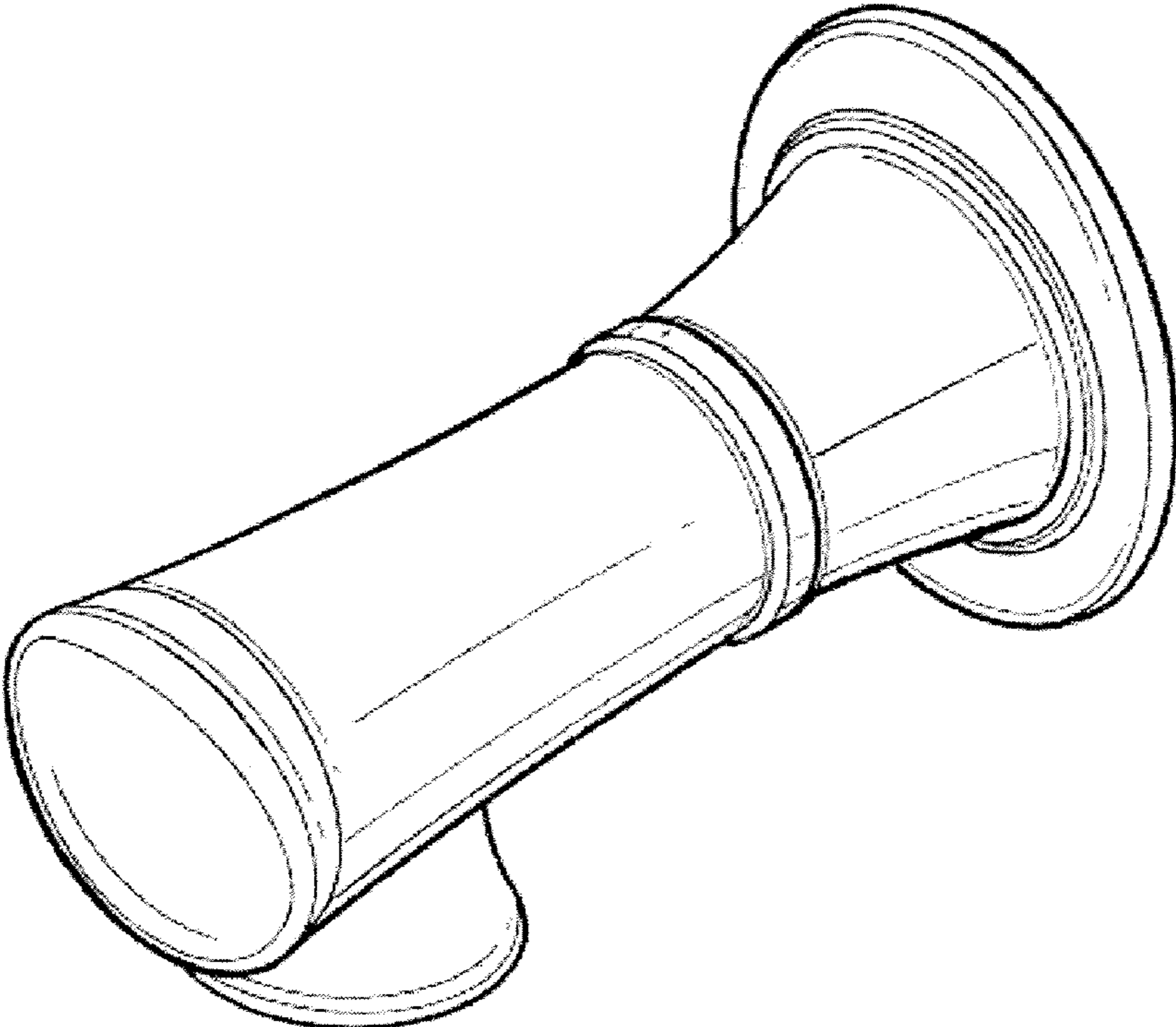


Fig. 1

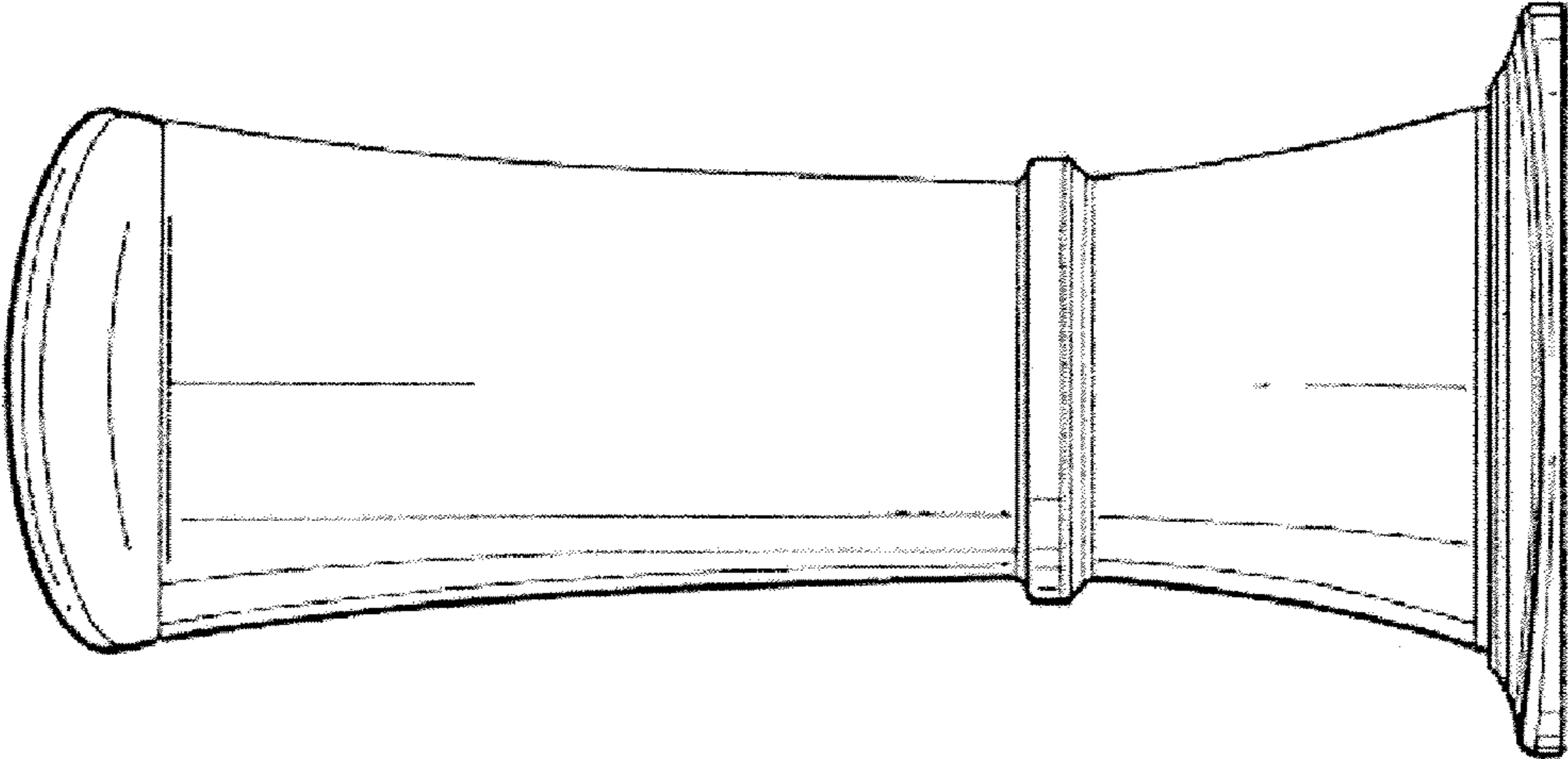


Fig. 2

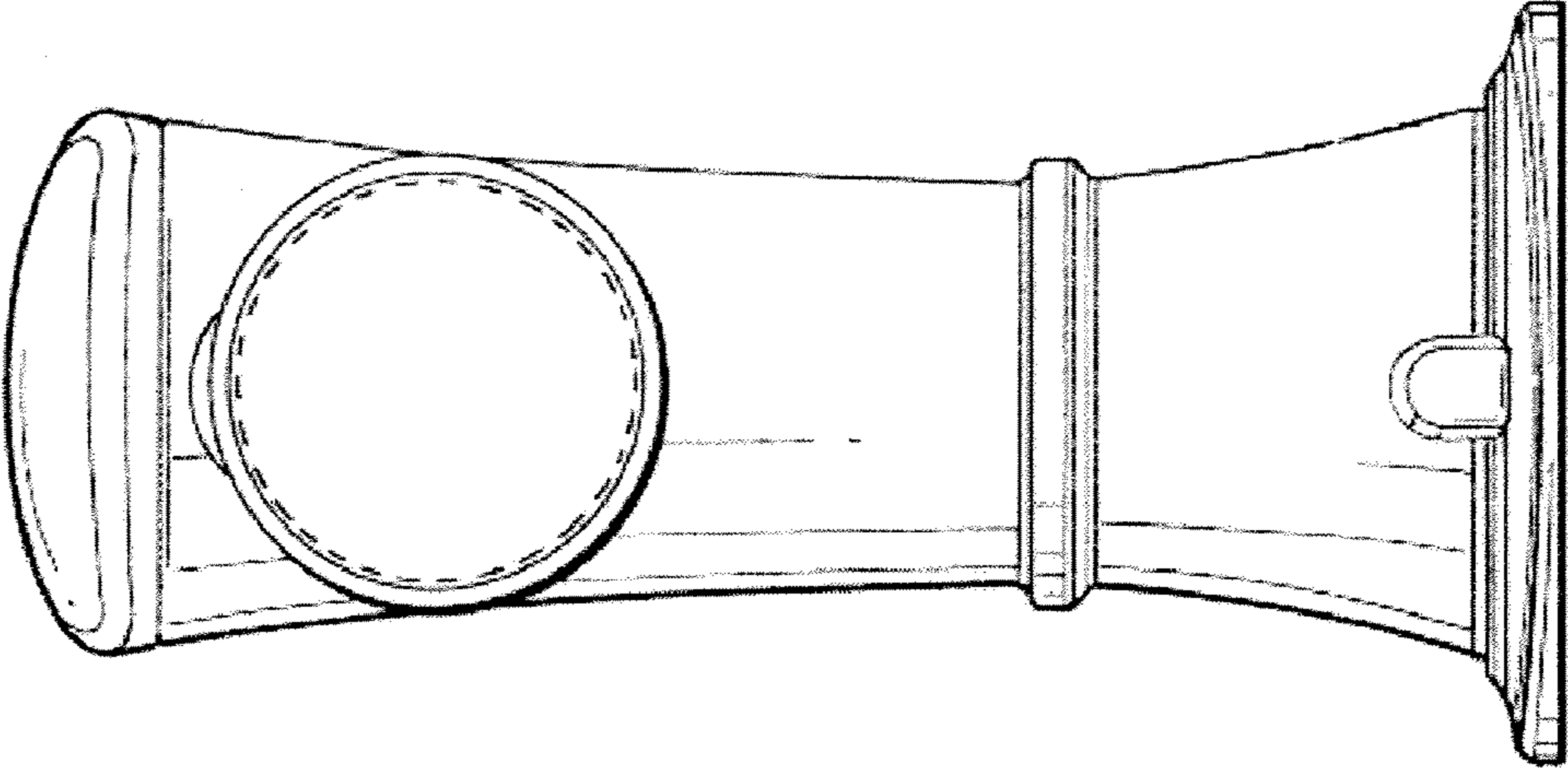


Fig. 3

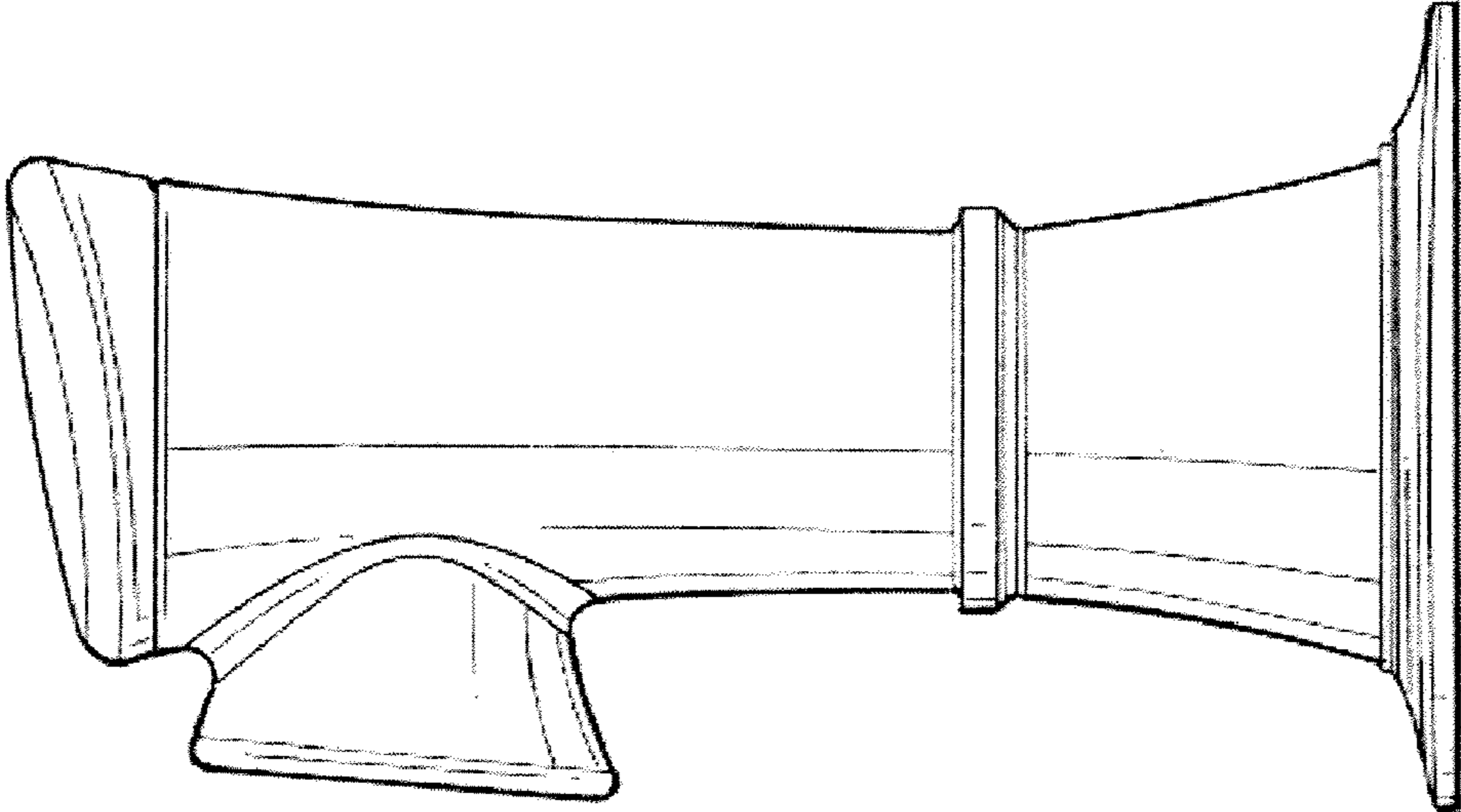


Fig. 4

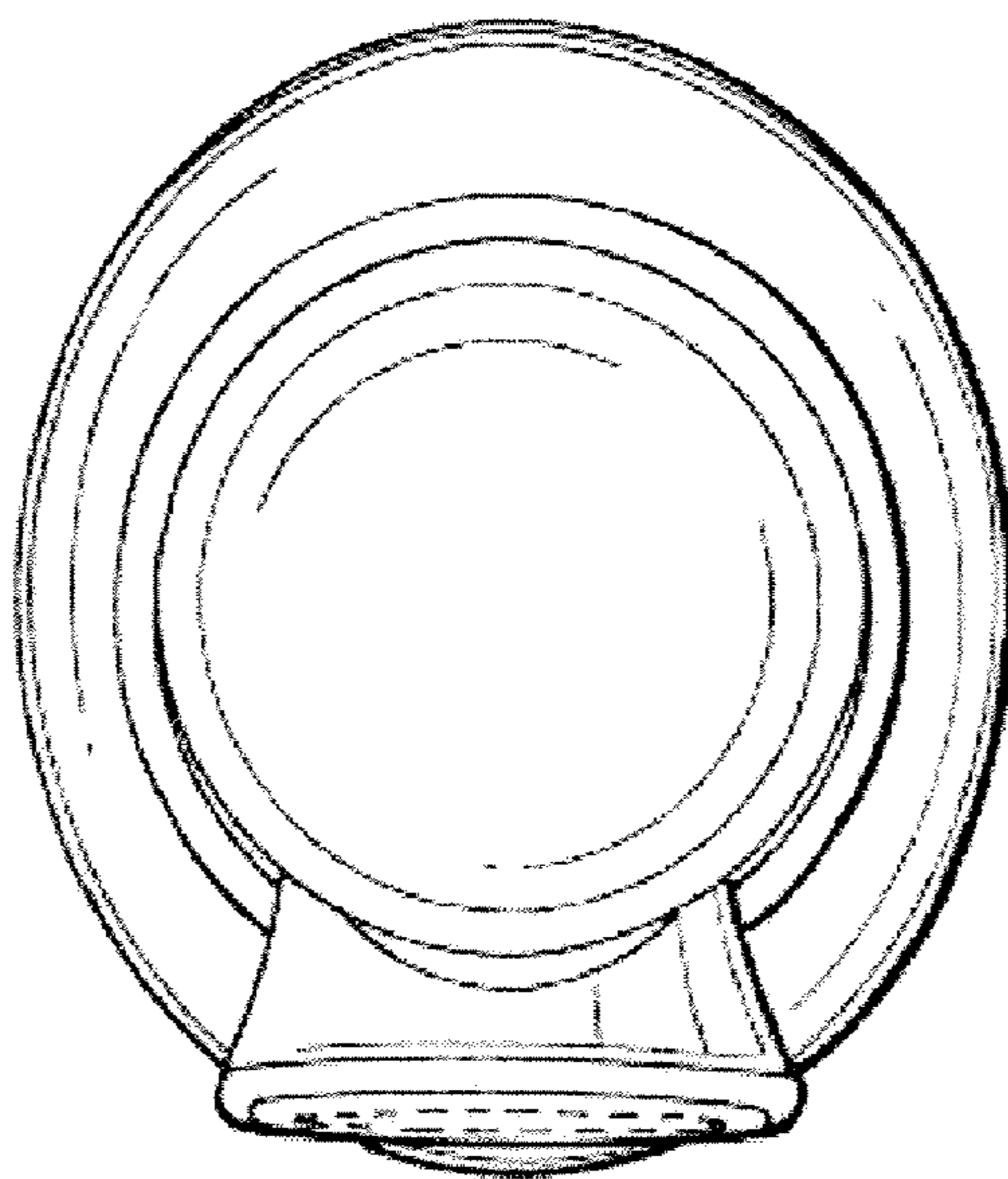


Fig. 5

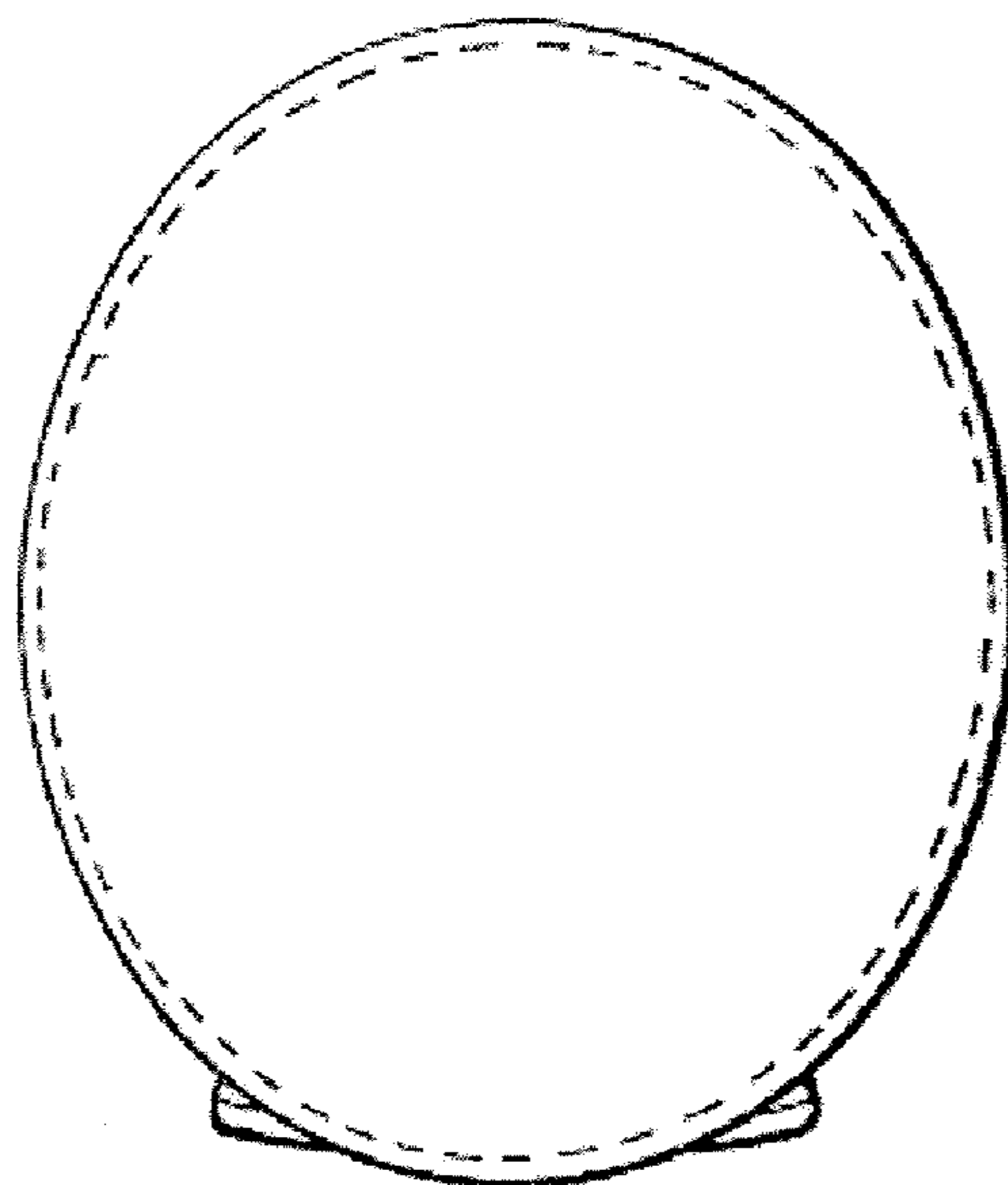


Fig. 6