



US00D592282S

(12) **United States Design Patent**
Ross et al.

(10) **Patent No.:** **US D592,282 S**
(45) **Date of Patent:** **** May 12, 2009**

(54) **WALL SCONCE FAUCET WITH PLATE**

D469,858 S * 2/2003 Lord D23/254
D477,058 S * 7/2003 Panis et al. D23/254
D579,529 S * 10/2008 Bickler et al. D23/254

(76) Inventors: **Elizabeth Ross**, 2115 S. Tonne Dr.,
#206, Arlington Heights, IL (US) 60005;
Tabitha Long, 516 S. Mitchell Ave,
Arlington Heights, IL (US) 60005

* cited by examiner

Primary Examiner—Robert A Delehanty

(**) Term: **14 Years**

(57) **CLAIM**

(21) Appl. No.: **29/320,895**

The ornamental design for a wall sconce faucet with plate, as shown and described.

(22) Filed: **Jul. 7, 2008**

DESCRIPTION

(51) **LOC (9) Cl.** **23-01**

(52) **U.S. Cl.** **D23/252; D26/51**

(58) **Field of Classification Search** D23/238–243,
D23/250–254, 304; 4/675–678; 137/801;
16/110.1; D8/307–308, 321; D6/550; D26/26,
D26/51

FIG. 1 is a perspective view of a wall sconce faucet with plate, showing my new design;

FIG. 2 is a front elevational view of the invention;

FIG. 3 is a rear elevational view of the invention;

FIG. 4 is a left-side elevational view of the invention, the right-side elevational view being a mirror image thereof;

FIG. 5 is a top plan view of the invention; and,

FIG. 6 is a bottom plan view of the invention.

See application file for complete search history.

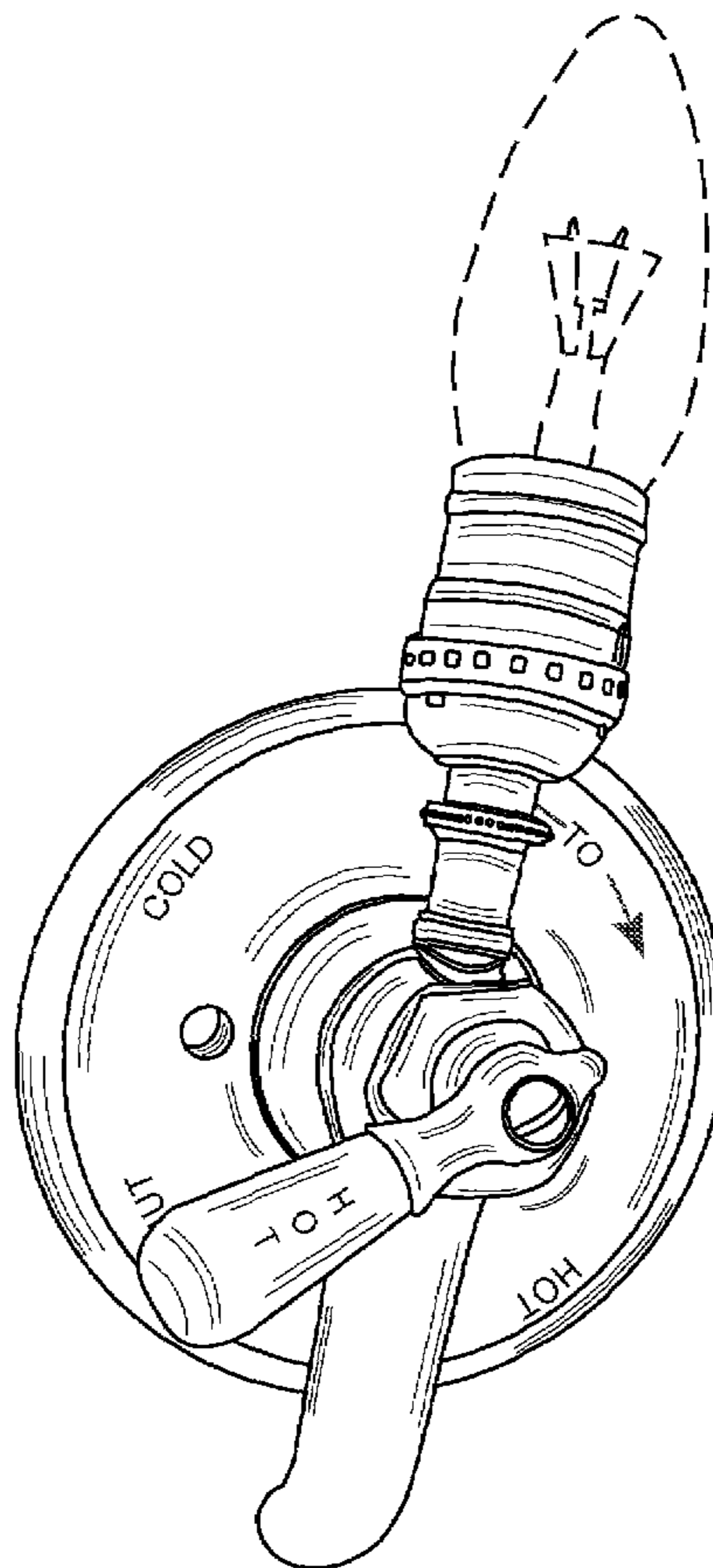
The broken lines showing a light bulb in FIG. 1 are included for the purpose of illustrating the invention in use, and form no part of the claimed design.

(56) **References Cited**

U.S. PATENT DOCUMENTS

D63,550 S * 12/1923 Batson D26/51
D88,104 S * 10/1932 Orenstine et al. D26/51
D163,613 S * 6/1951 La Mura D26/51
D265,118 S * 6/1982 Fleischmann et al. D23/252
D301,276 S * 5/1989 Bengtsson D23/254

1 Claim, 3 Drawing Sheets



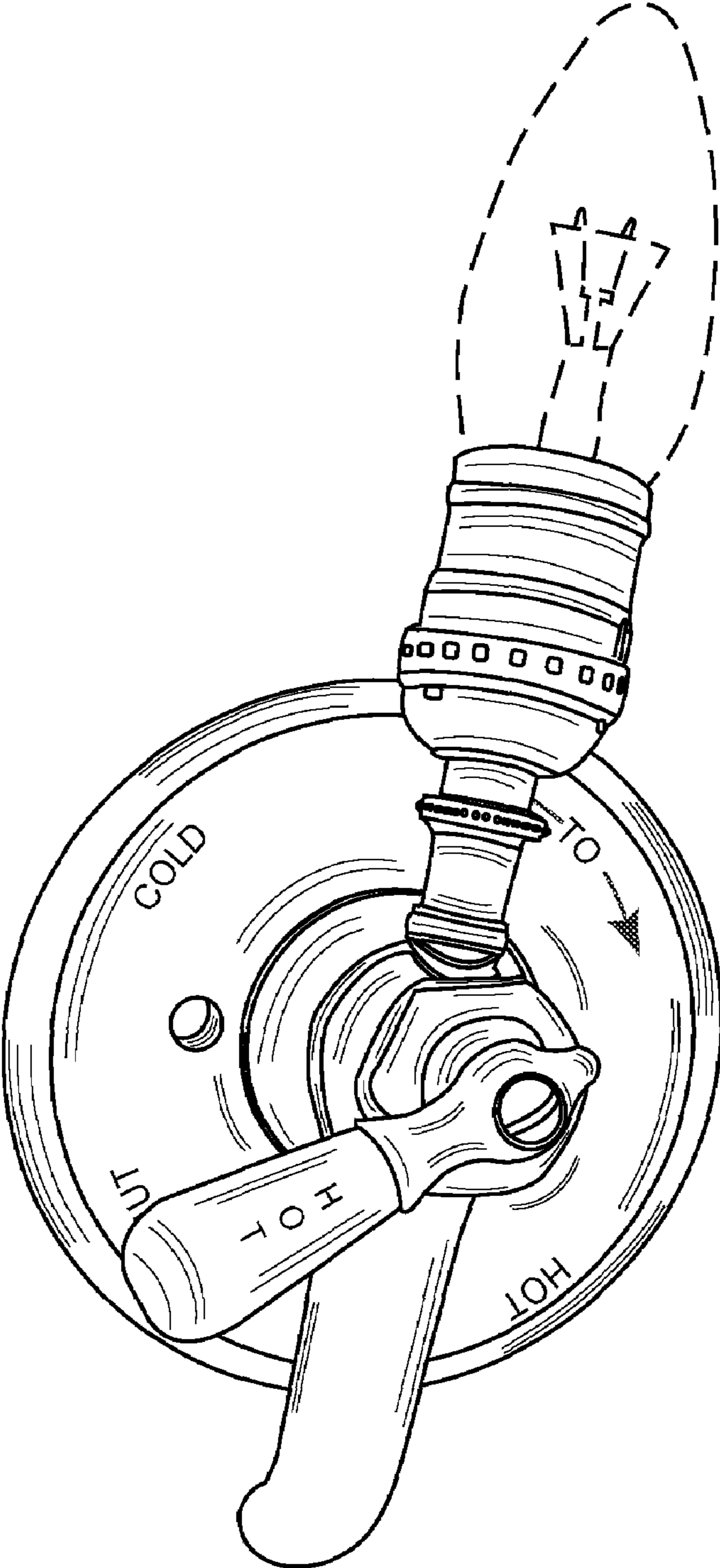


FIG. 1

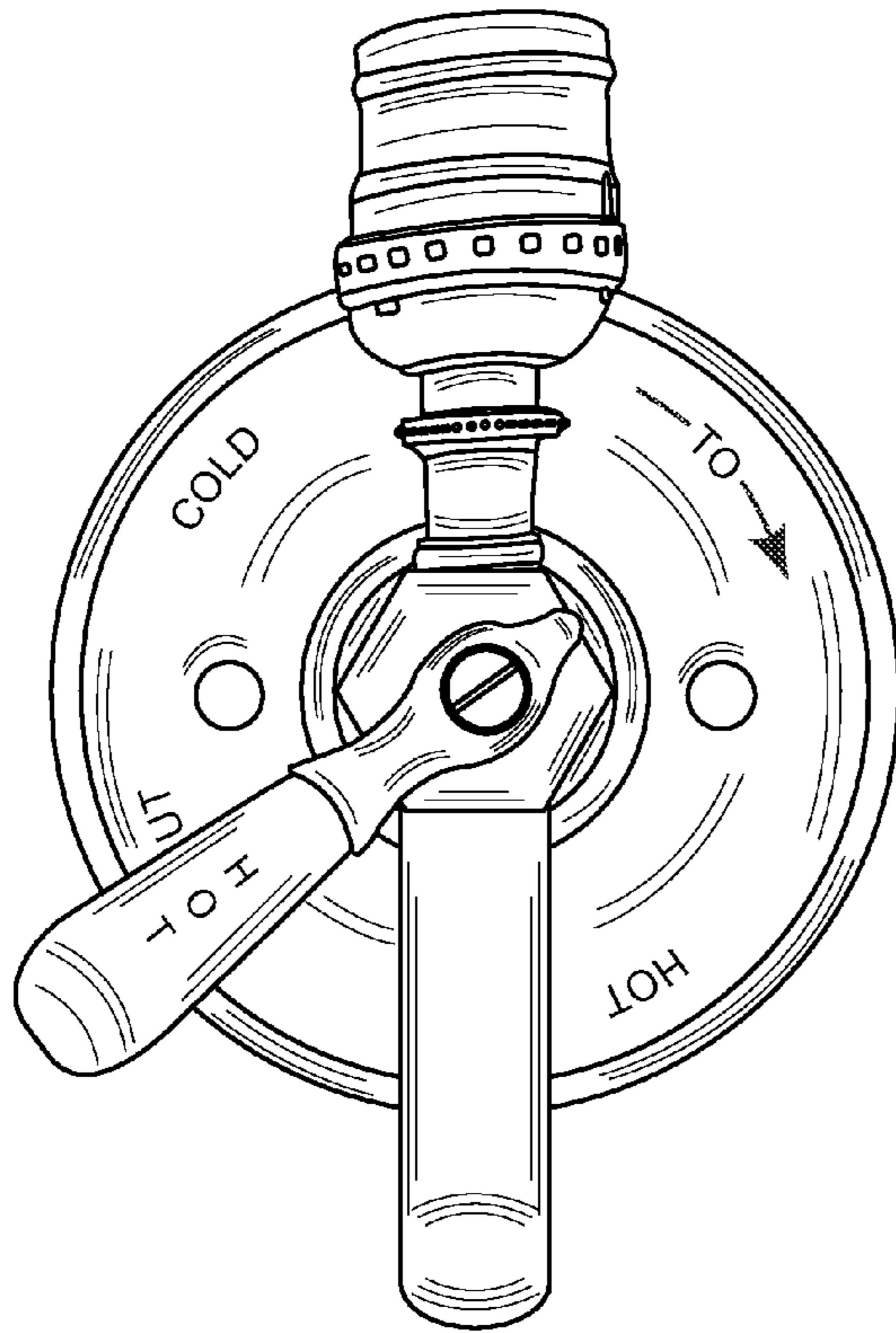


FIG. 2

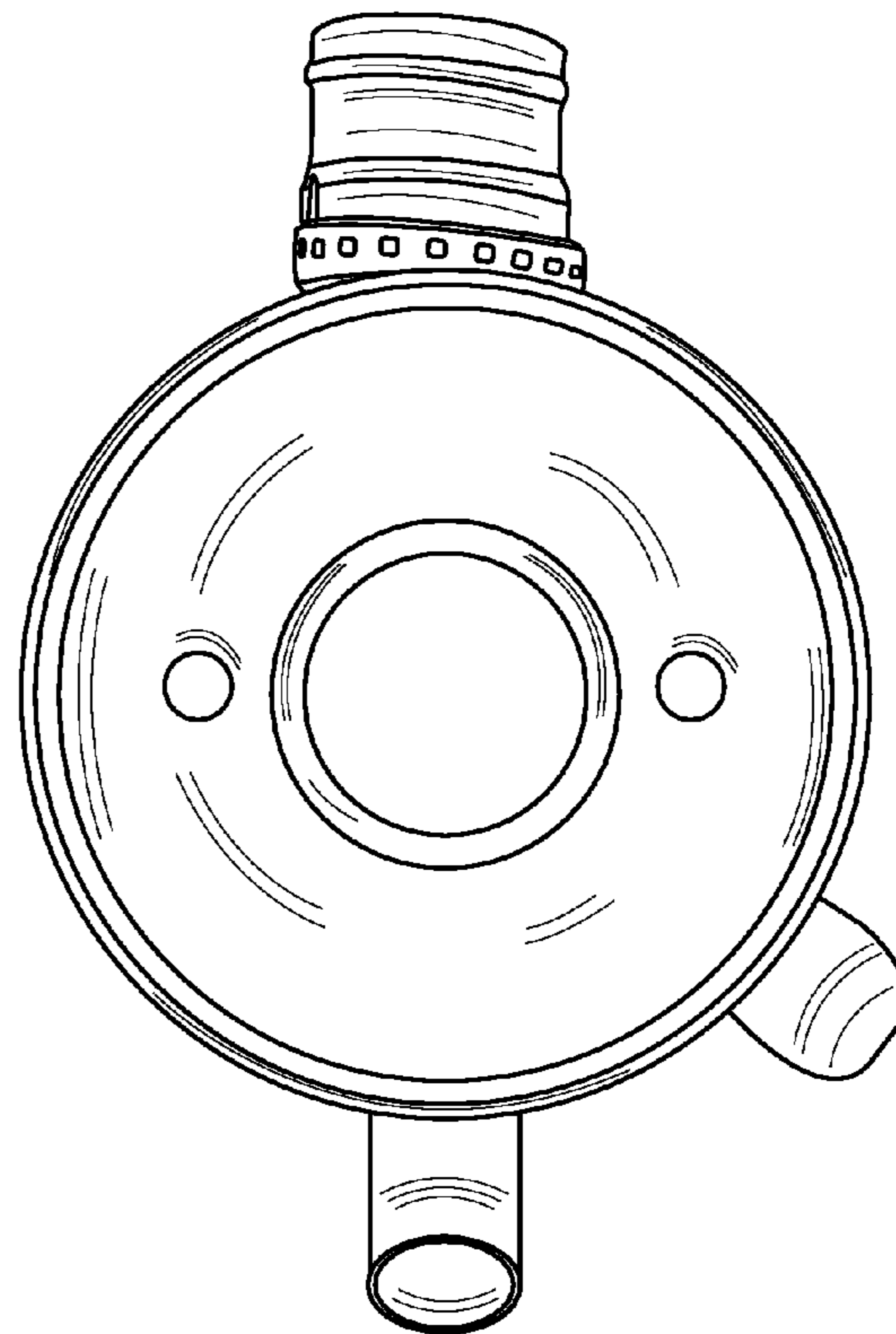


FIG. 3

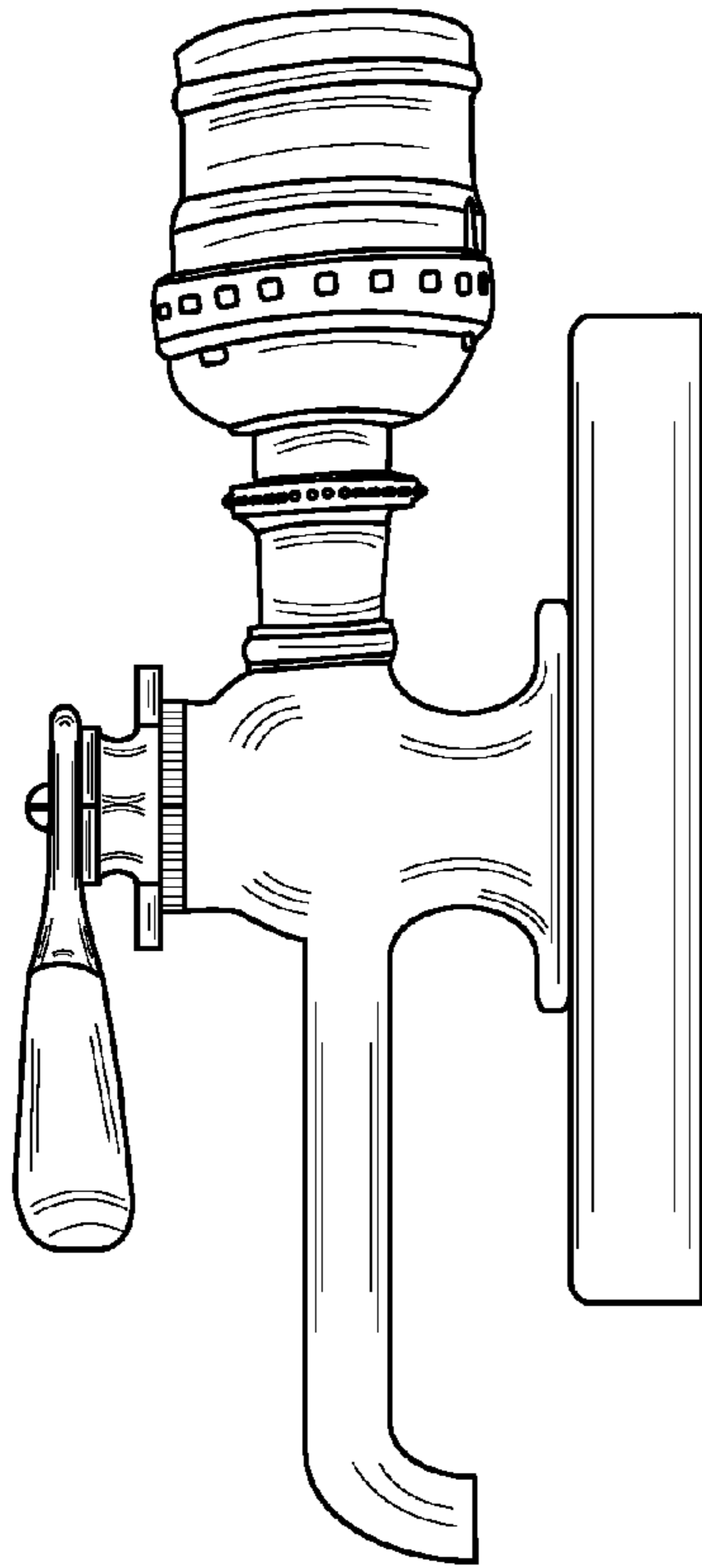


FIG. 4

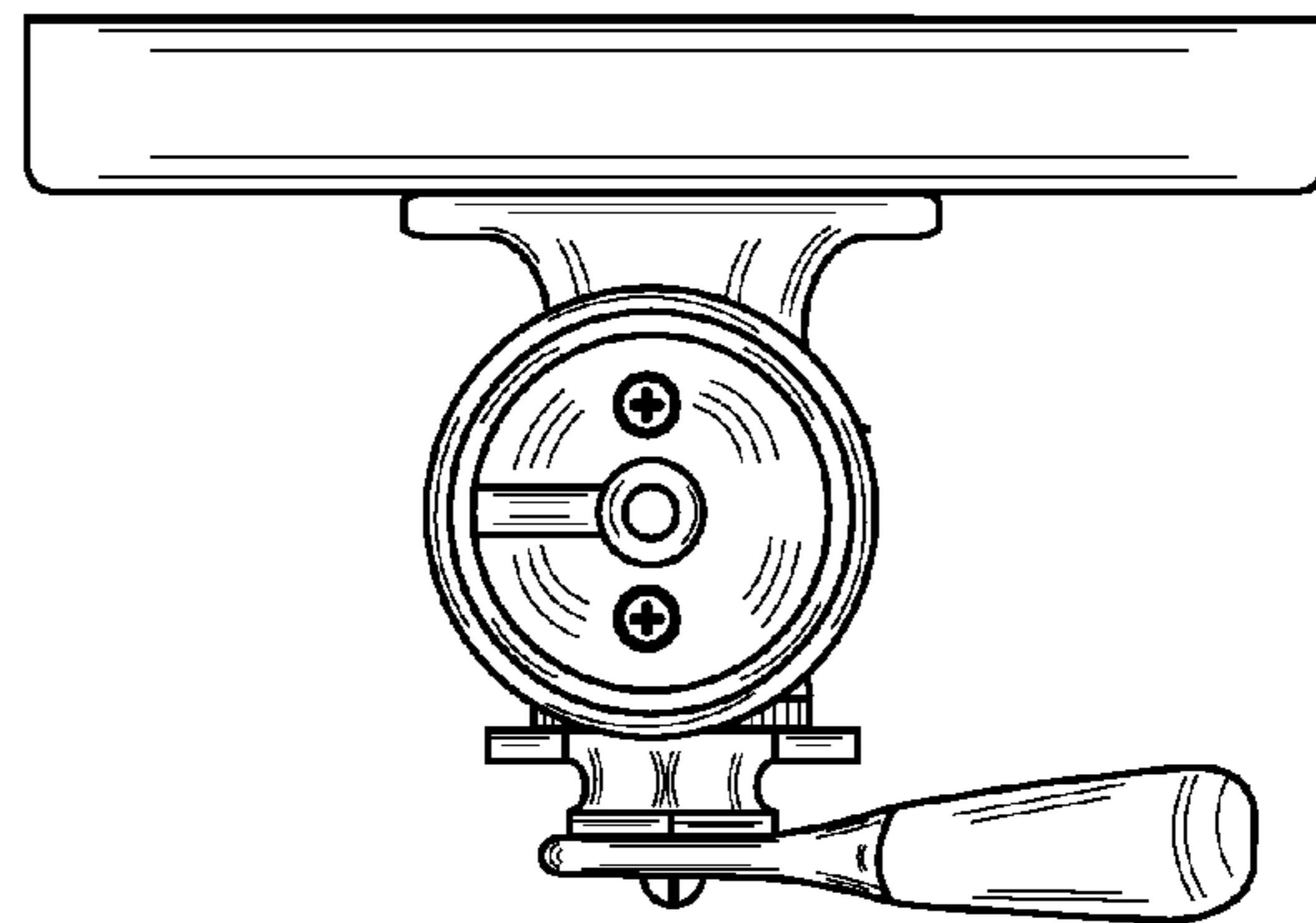


FIG. 5

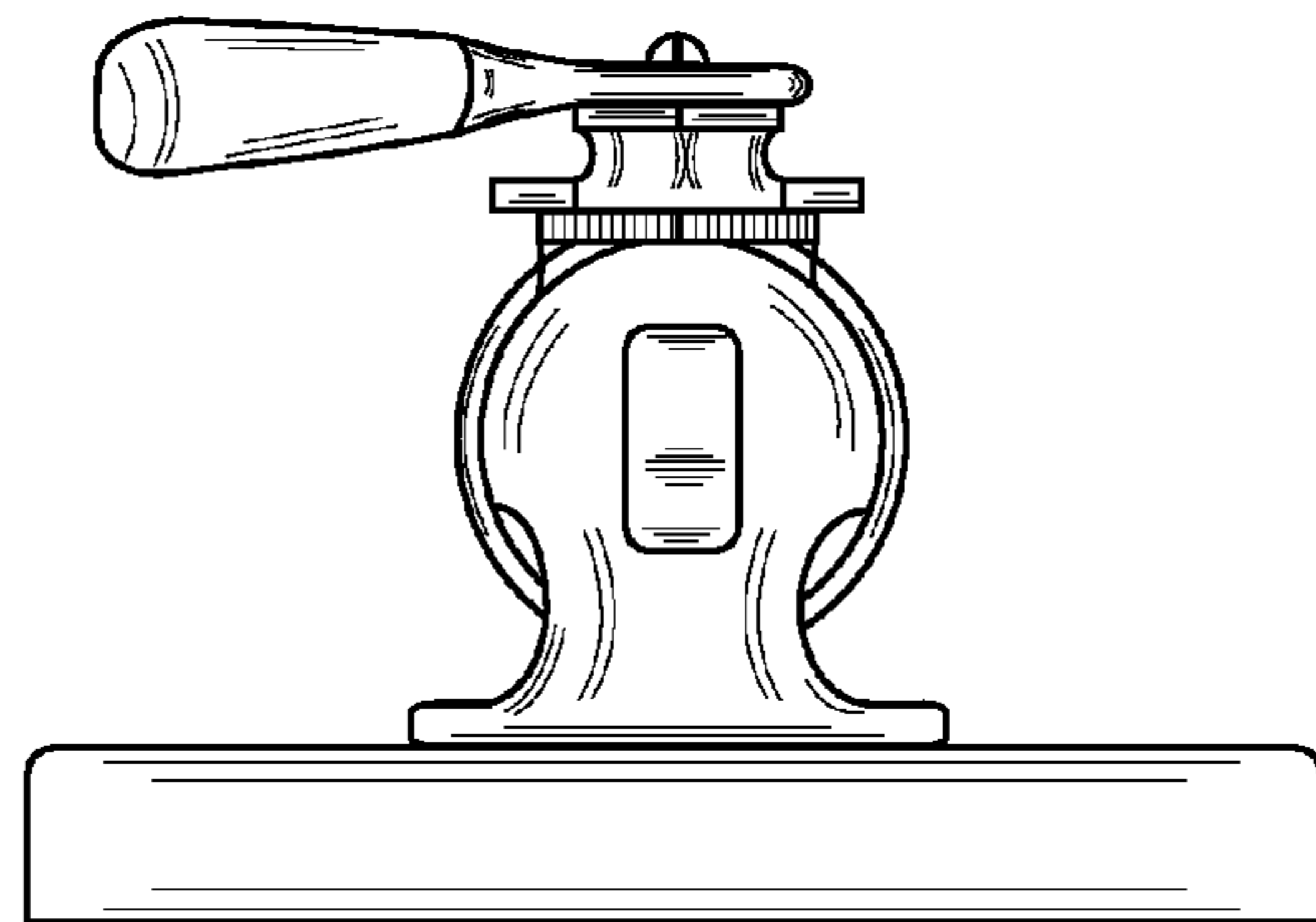


FIG. 6