



US00D592281S

(12) **United States Design Patent**
Eilmus

(10) **Patent No.:** **US D592,281 S**

(45) **Date of Patent:** **** May 12, 2009**

(54) **HANDLE**

(75) Inventor: **Niels J. Eilmus**, Sheboygan, WI (US)

(73) Assignee: **Kohler Co.**, Kohler, WI (US)

(**) Term: **14 Years**

(21) Appl. No.: **29/303,341**

(22) Filed: **Feb. 7, 2008**

(51) **LOC (9) Cl.** **23-01**

(52) **U.S. Cl.** **D23/252**

(58) **Field of Classification Search** D23/238-243,
D23/250-254, 304; 4/675-678; 137/801;
16/110.1; D8/307-308, 321; D6/550

See application file for complete search history.

(56) **References Cited**

U.S. PATENT DOCUMENTS

D532,486 S * 11/2006 Barry D23/252
D562,437 S * 2/2008 Jaeb D23/252
D579,523 S * 10/2008 Montgomery et al. D23/250

OTHER PUBLICATIONS

Lefroy Brooks. "Basin Taps". Model No. 1200. LefroyBrooks.com
online catalog.

Kohler Co. "Clairette kitchen sink faucet". Model No. K-692. Kohler
Co. online catalog. Copyright 2007 Kohler Co.

Kohler Co. "Two-Handle Wall-mount Bath Set". Model No.
K-12007A-4-CP.

* cited by examiner

Primary Examiner—Robert A Delehanty

(74) *Attorney, Agent, or Firm*—Quarles & Brady LLP

(57) **CLAIM**

The ornamental design for a handle, as shown and described.

DESCRIPTION

In a preferred embodiment, the nature of this product is a
handle for a plumbing fitting such as a shower water control
or a faucet.

FIG. 1 is a right, top, front perspective view of a handle
embodying my new design;

FIG. 2 is a top plan view thereof;

FIG. 3 is a front elevational view thereof, the rear elevational
view thereof being a mirror image of the front shown;

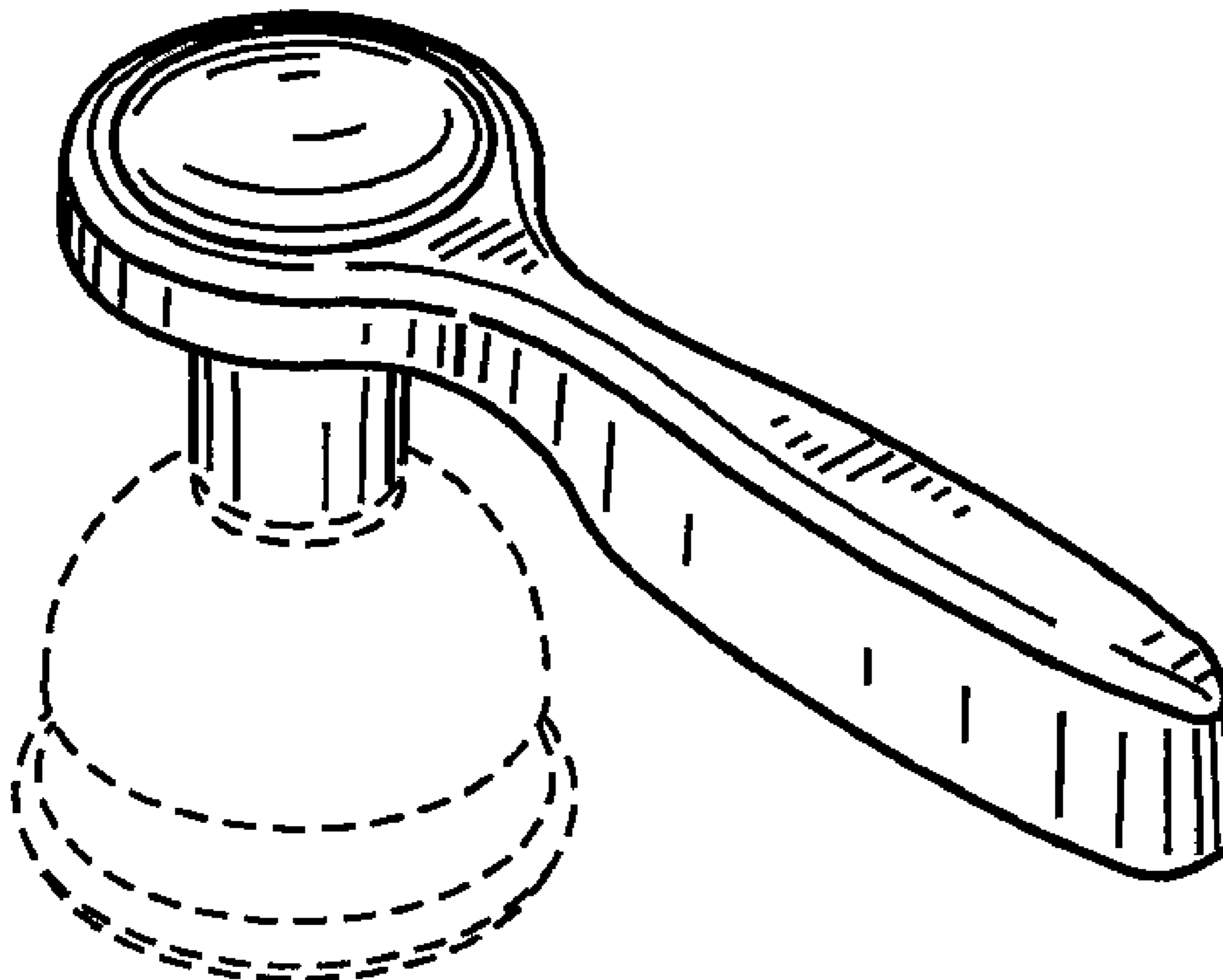
FIG. 4 is a right side elevational view thereof;

FIG. 5 is a left side elevational view thereof; and,

FIG. 6 is a bottom plan view thereof.

The broken line representations in the figures are for the
purpose of illustration only, and forms no part of the claimed
design.

1 Claim, 2 Drawing Sheets



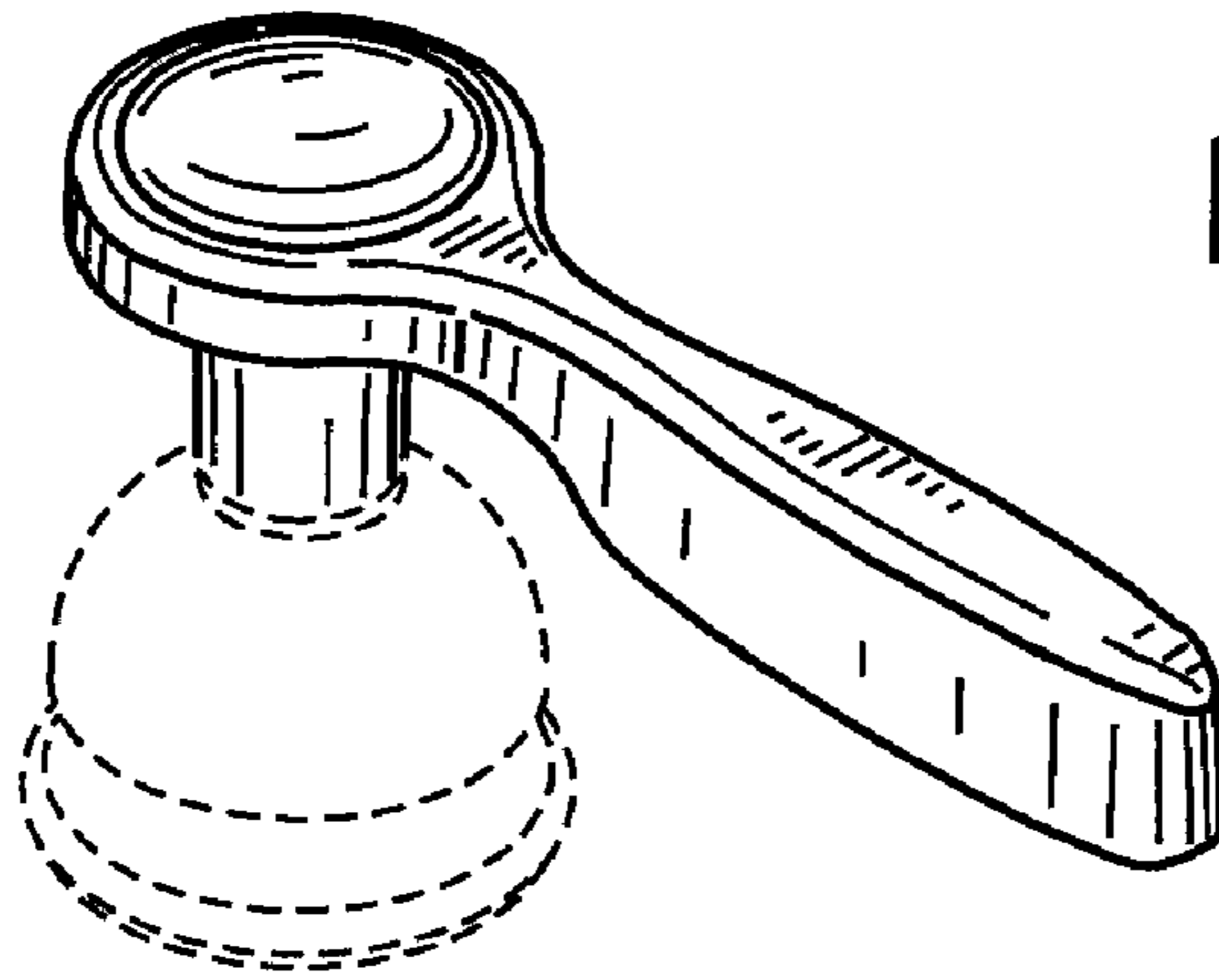


FIG. 1

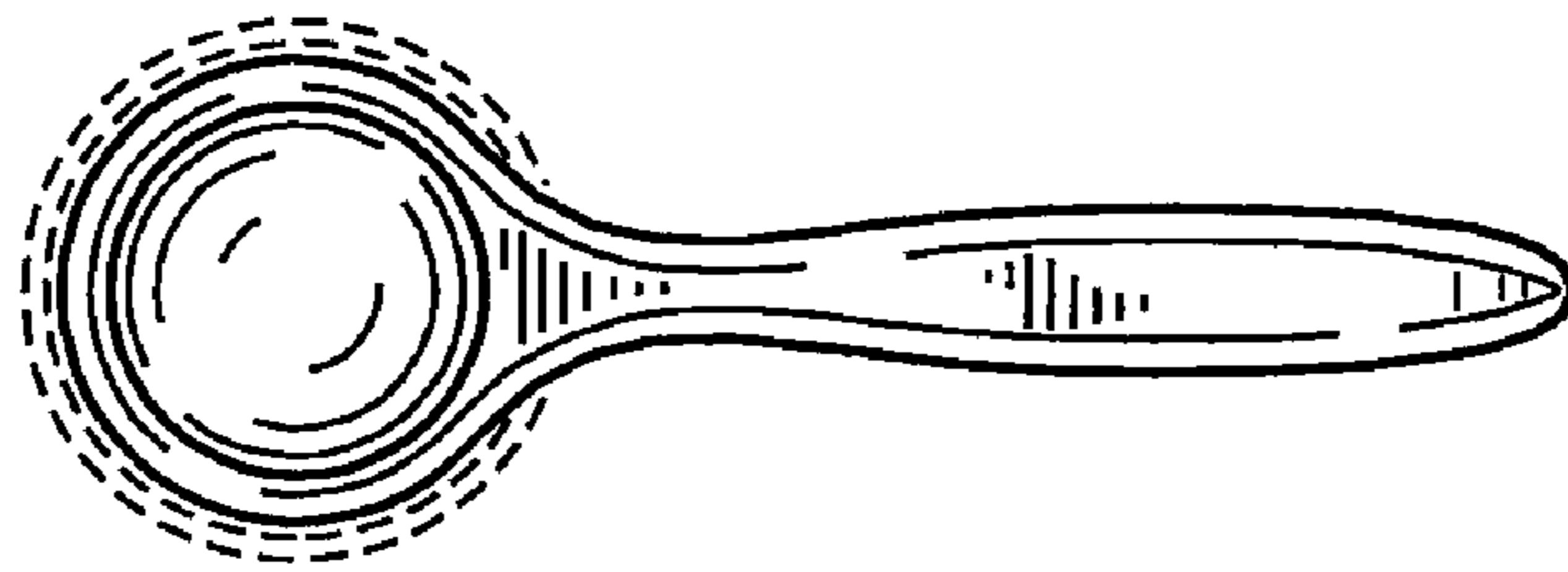


FIG. 2

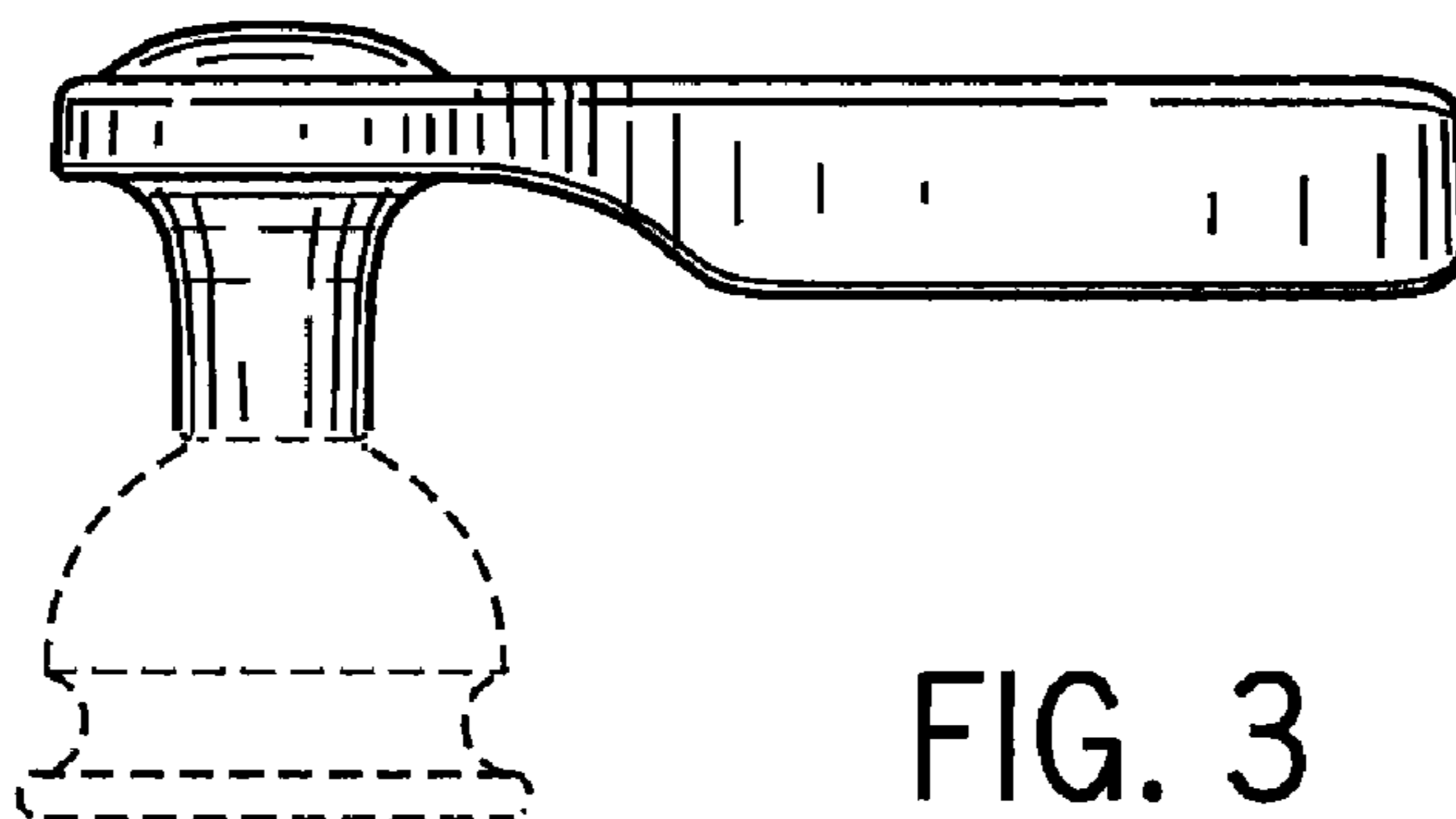


FIG. 3

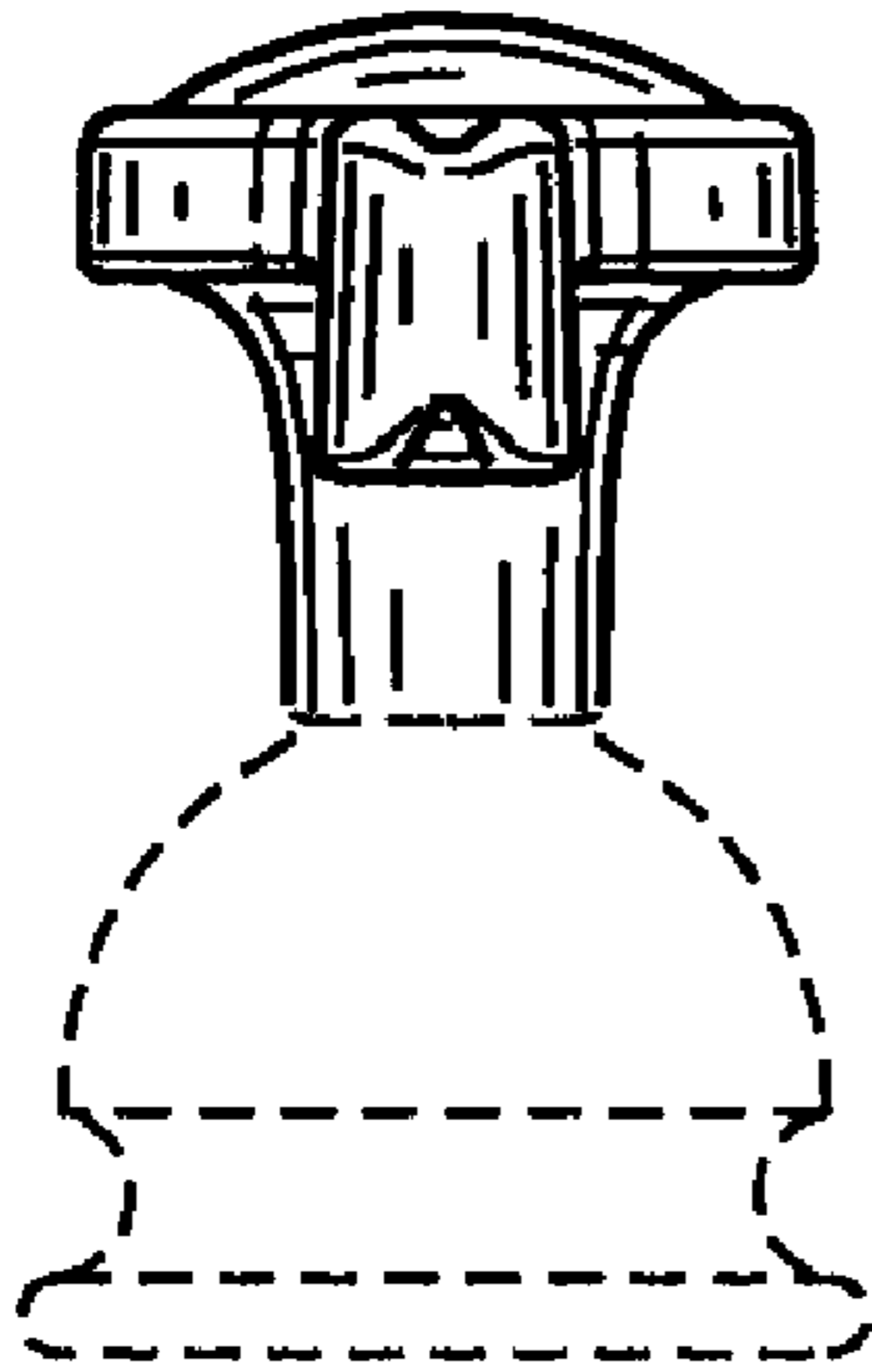


FIG. 4

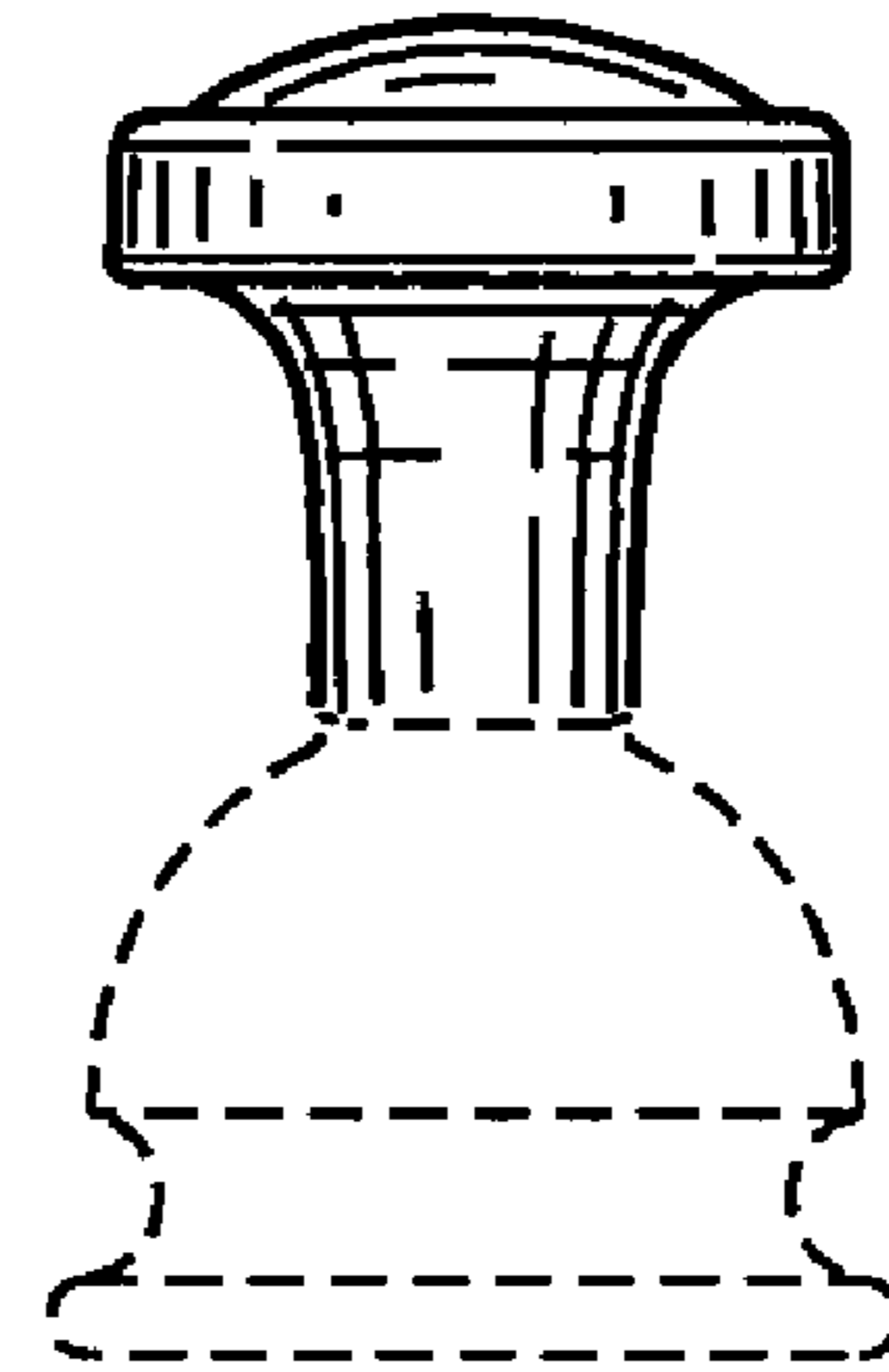


FIG. 5

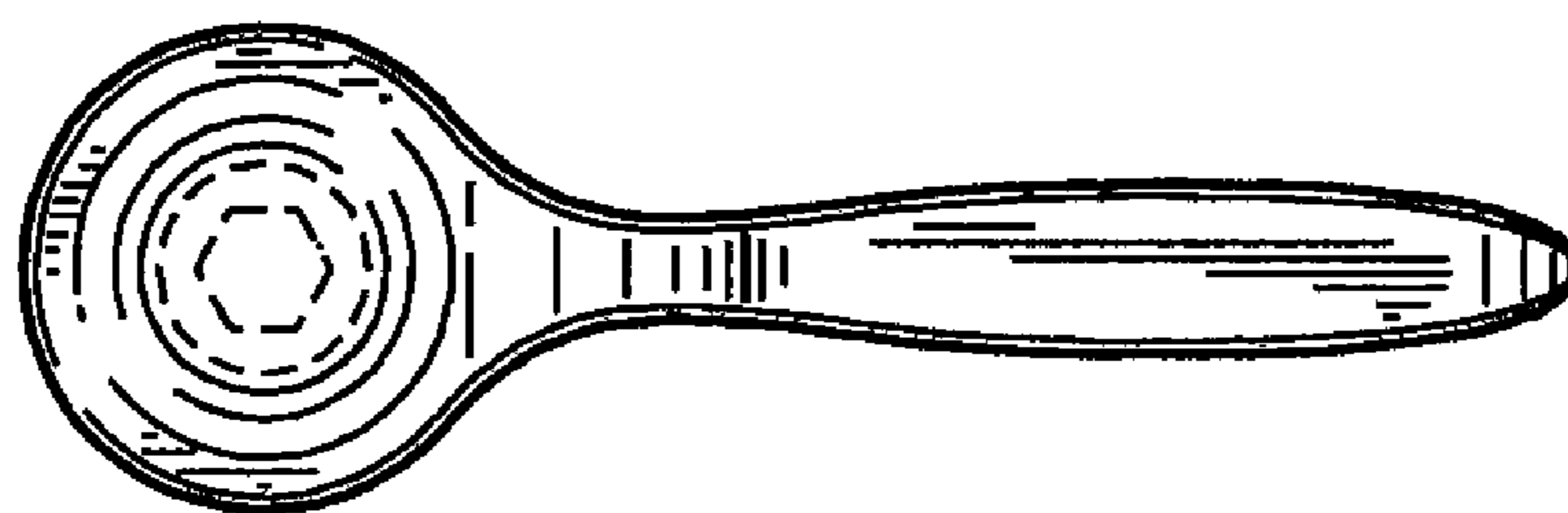


FIG. 6