



US00D592280S

(12) **United States Design Patent**
Eckhaus

(10) **Patent No.:** **US D592,280 S**

(45) **Date of Patent:** **** May 12, 2009**

(54) **BRIDGE FAUCET**

(57) **CLAIM**

(76) **Inventor:** **Efraim Eckhaus**, 77 Tummel La., West Haven, CT (US) 06516

The ornamental design for a bridge faucet, as shown and described.

(**) **Term:** **14 Years**

DESCRIPTION

(21) **Appl. No.:** **29/323,412**

FIG. 1 is a perspective view of a bridge faucet, showing my new design, the broken line showing of a cross handle and a spout shown for illustrative purposes only and forming no part of the claimed design;

(22) **Filed:** **Aug. 26, 2008**

(51) **LOC (9) Cl.** **23-01**

FIG. 2 is a front elevation view thereof;

(52) **U.S. Cl.** **D23/241**

FIG. 3 is a side elevation view thereof;

(58) **Field of Classification Search** D23/238-243;
4/675-678; 137/801; D6/550

FIG. 4 is a top plan view thereof;

See application file for complete search history.

FIG. 5 is another perspective view thereof, the broken line showing of a lever handle and a spout shown for illustrative purposes only and forming no part of the claimed design;

(56) **References Cited**

FIG. 6 is another front elevation view thereof;

U.S. PATENT DOCUMENTS

FIG. 7 is another side elevation view thereof; and,

D516,177 S * 2/2006 Ouyoung D23/241

FIG. 8 is another top plan view thereof.

D533,637 S * 12/2006 Berberet D23/241

D583,014 S * 12/2008 Daunter et al. D23/241

The broken line showing of a cross handle and a spout in FIGS. 1-4 are for illustrative purposes only and form no part of the claimed design.

D583,440 S * 12/2008 Spangler D23/241

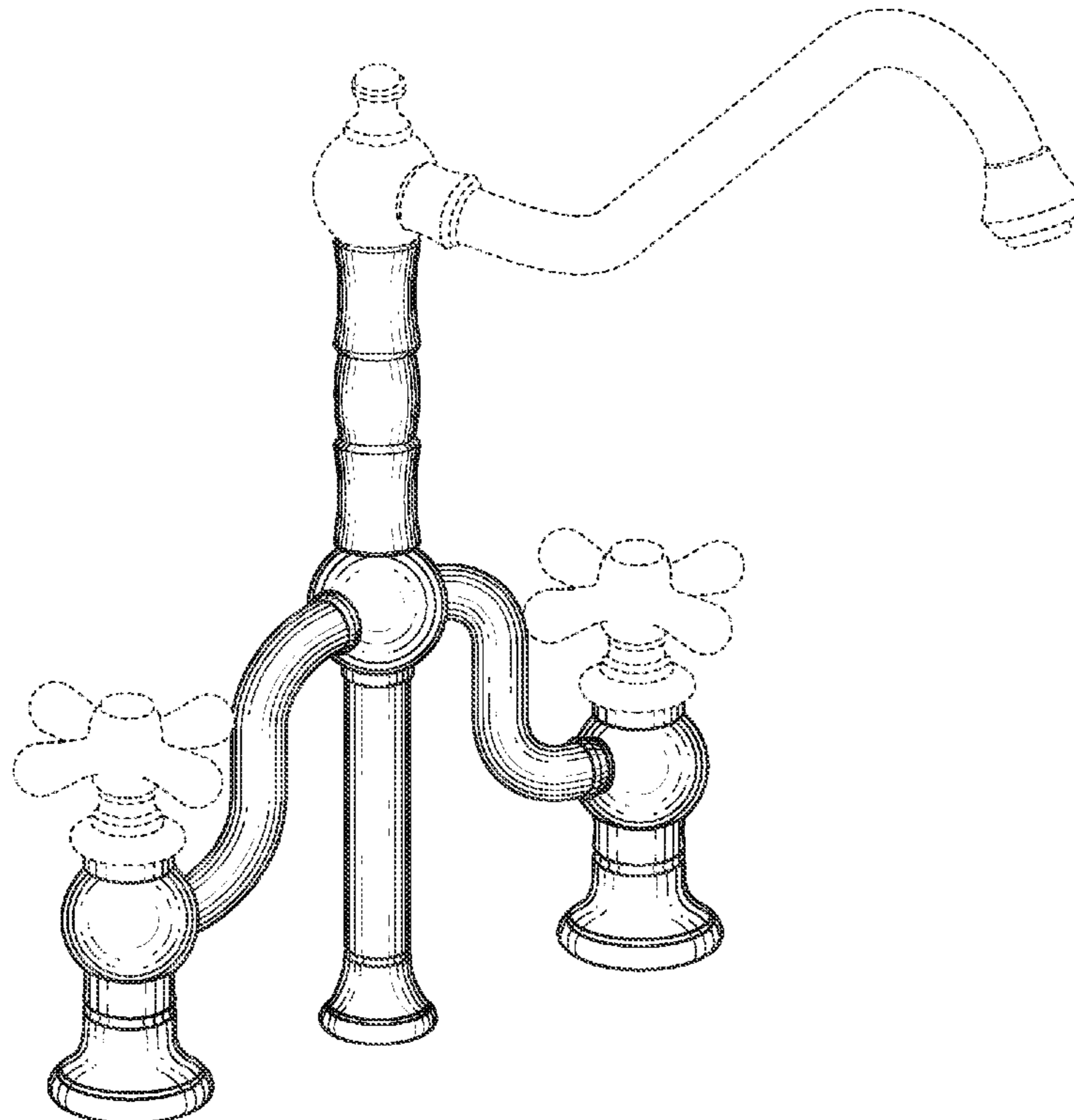
The broken line showing of a lever handle and a spout in FIGS. 5-8 are for illustrative purposes only and form no part of the claimed design.

* cited by examiner

Primary Examiner—Robert A Delehanty

1 Claim, 8 Drawing Sheets

(74) *Attorney, Agent, or Firm*—Harvey Lunenfeld



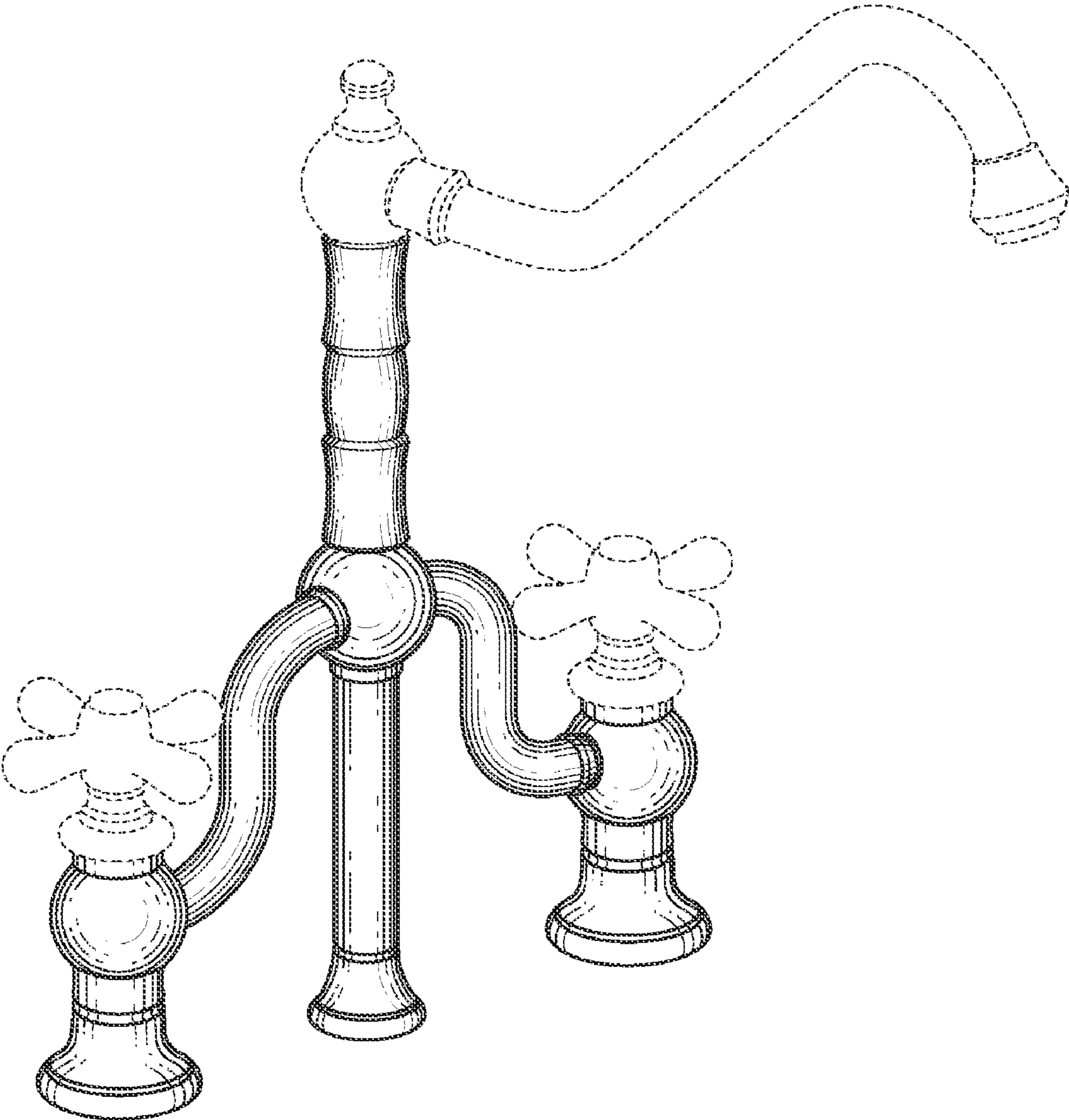


FIG. 1

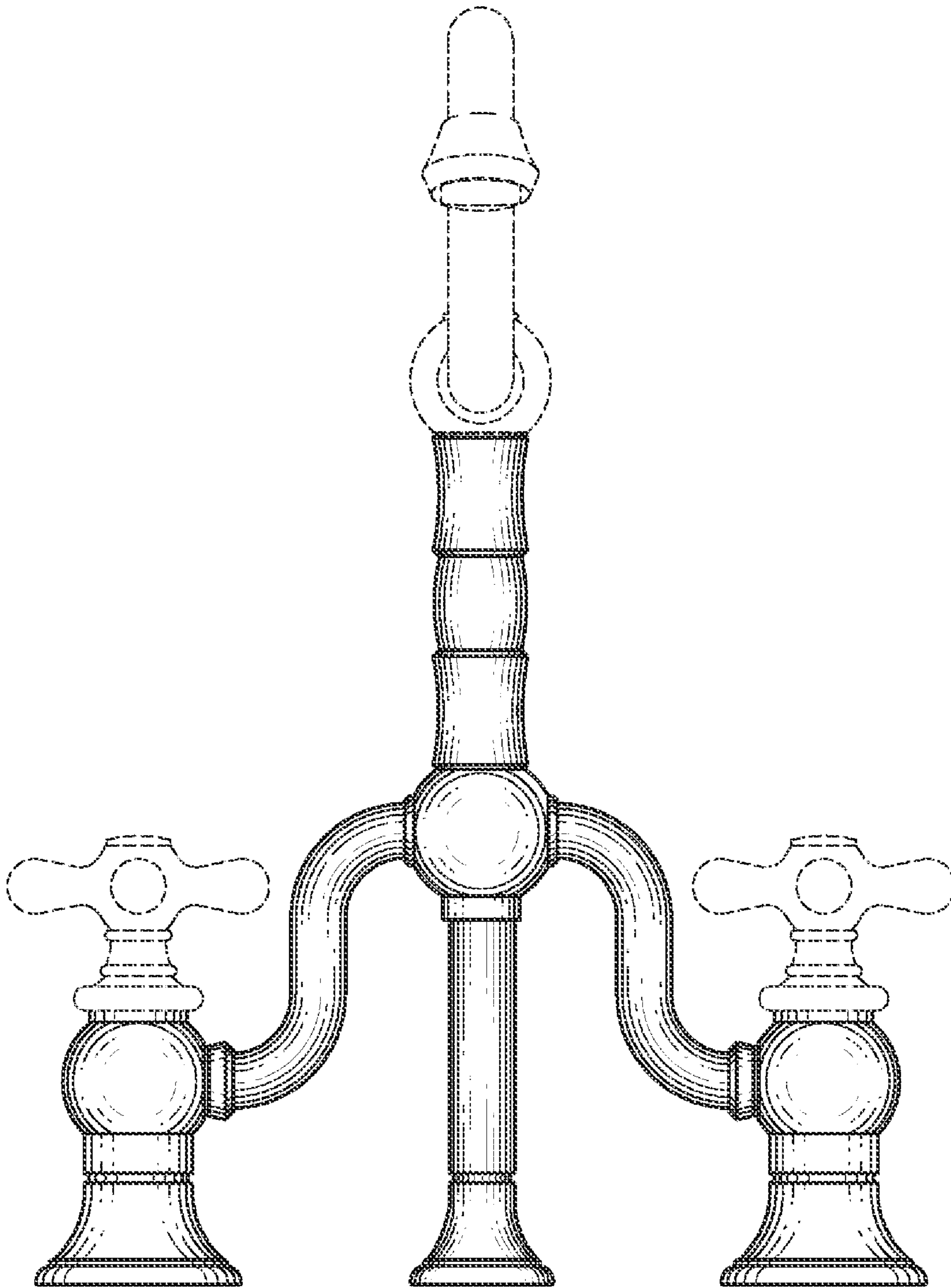


FIG. 2

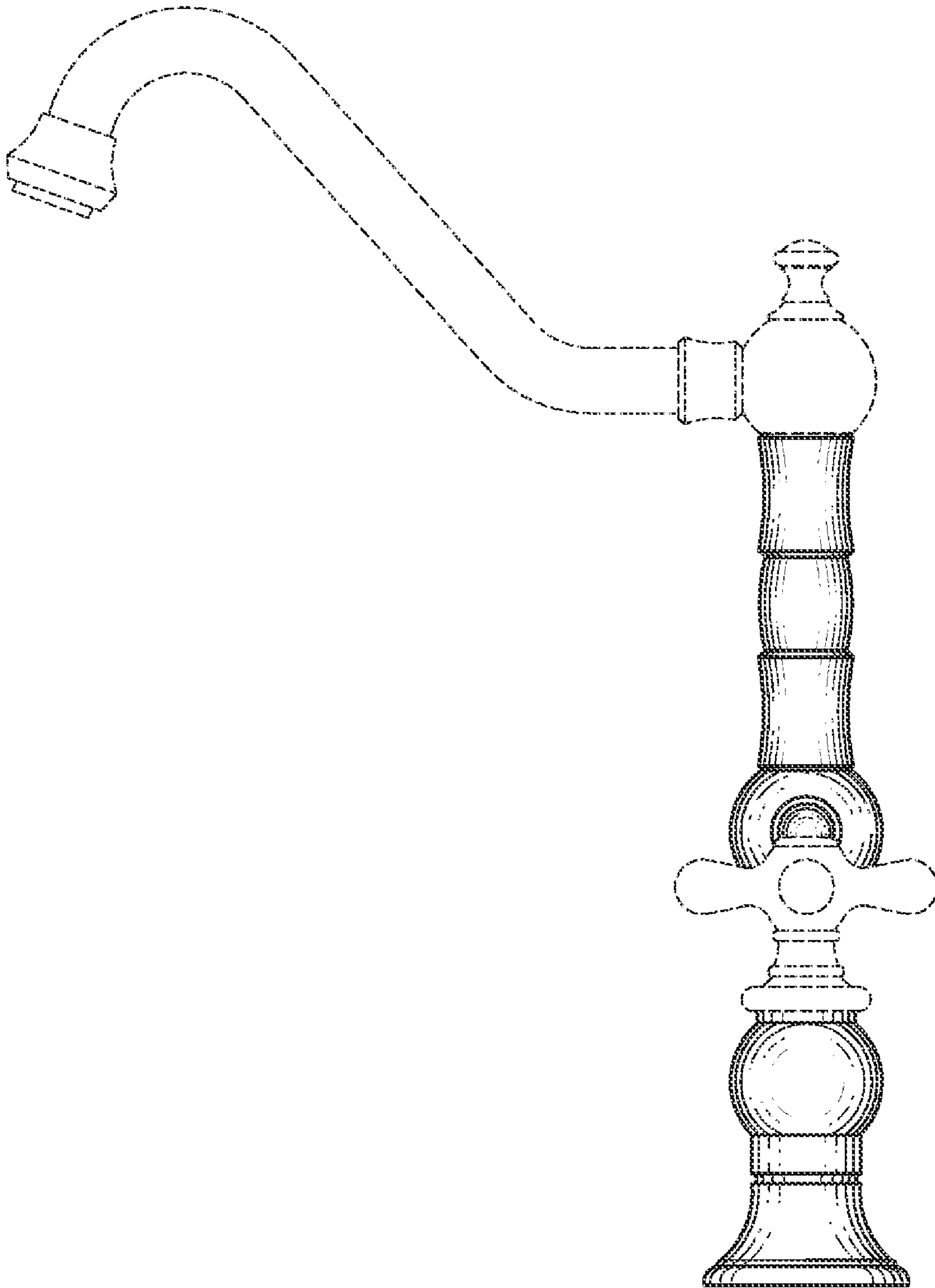


FIG. 3

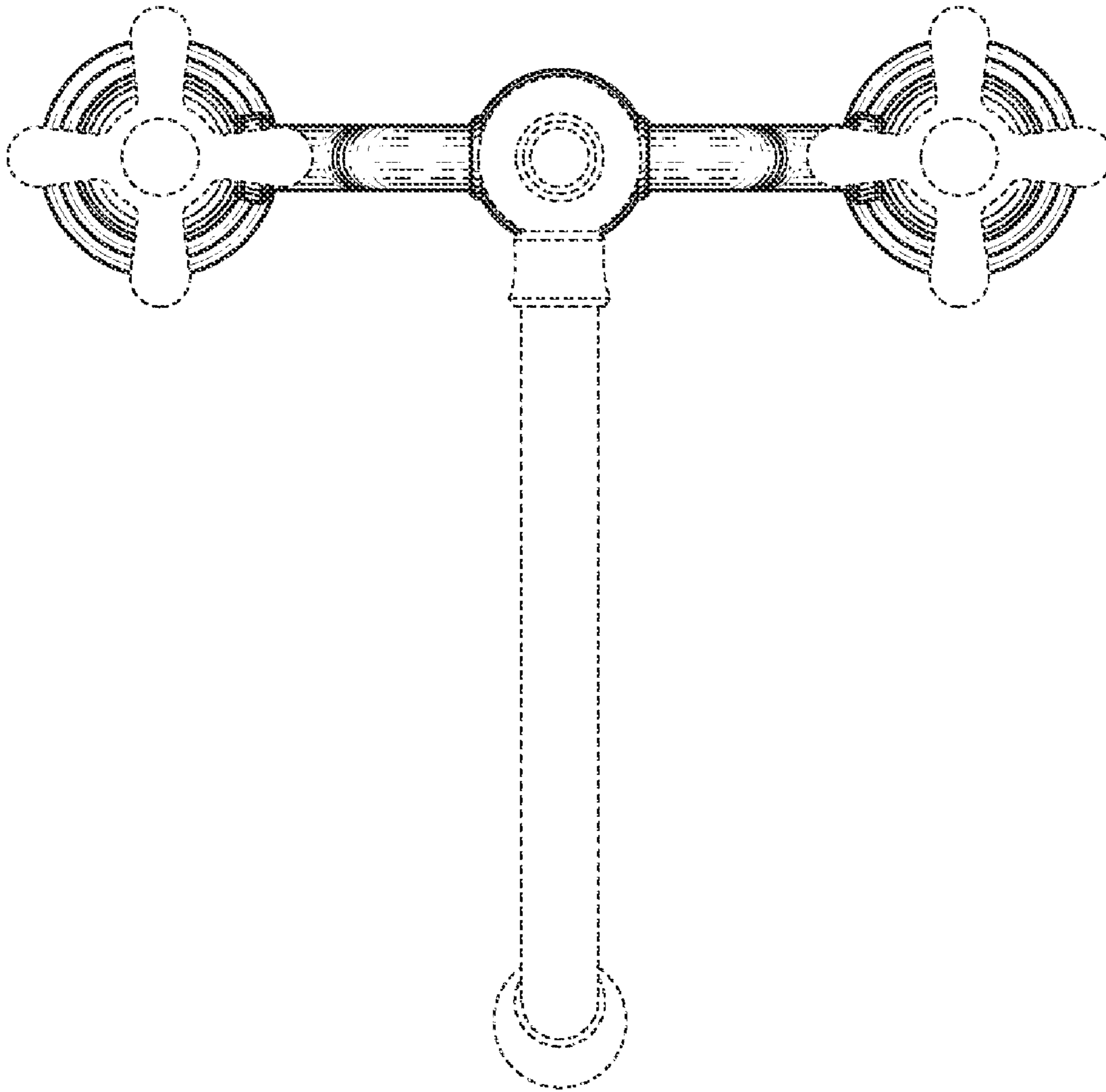


FIG. 4

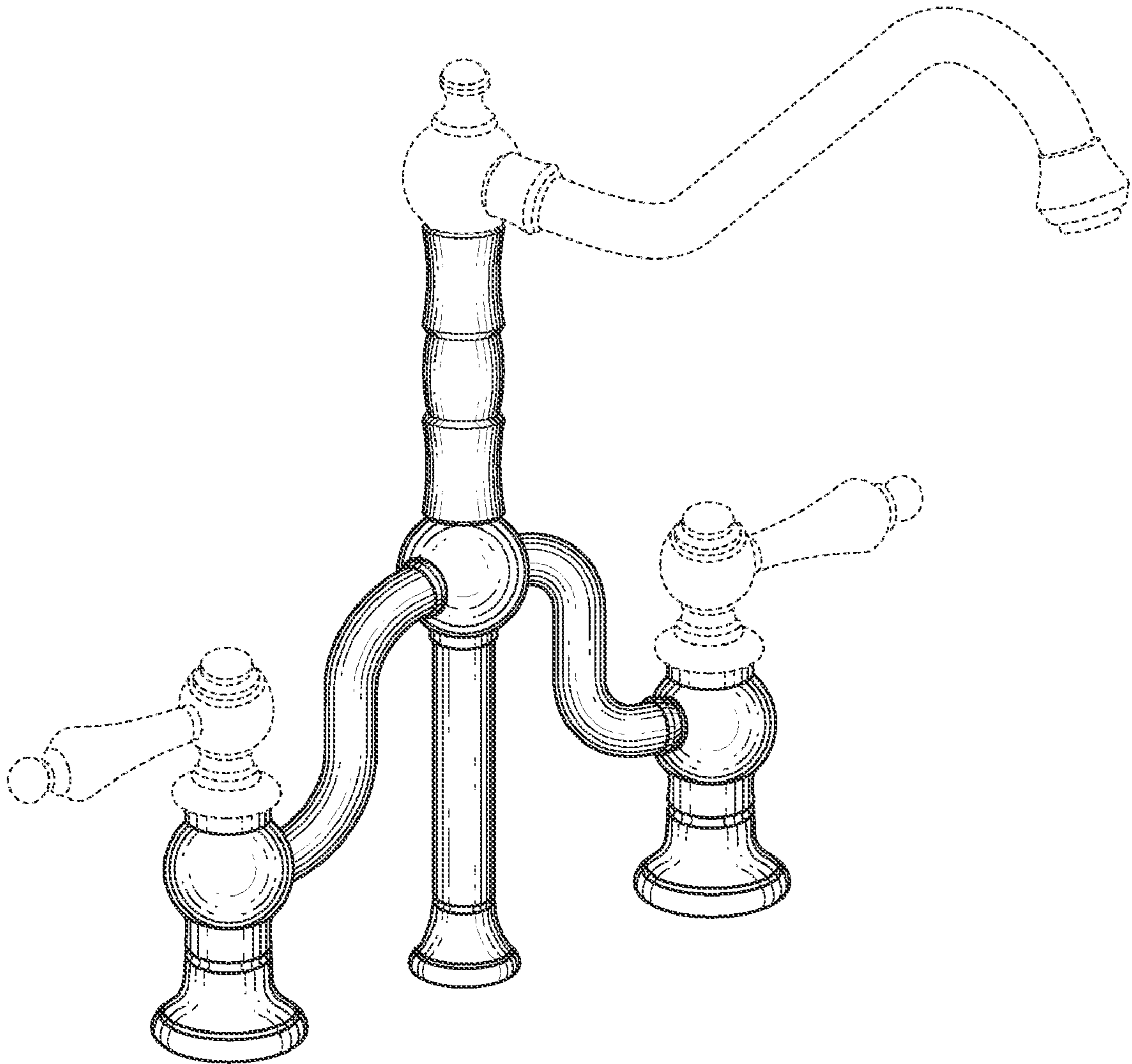


FIG. 5

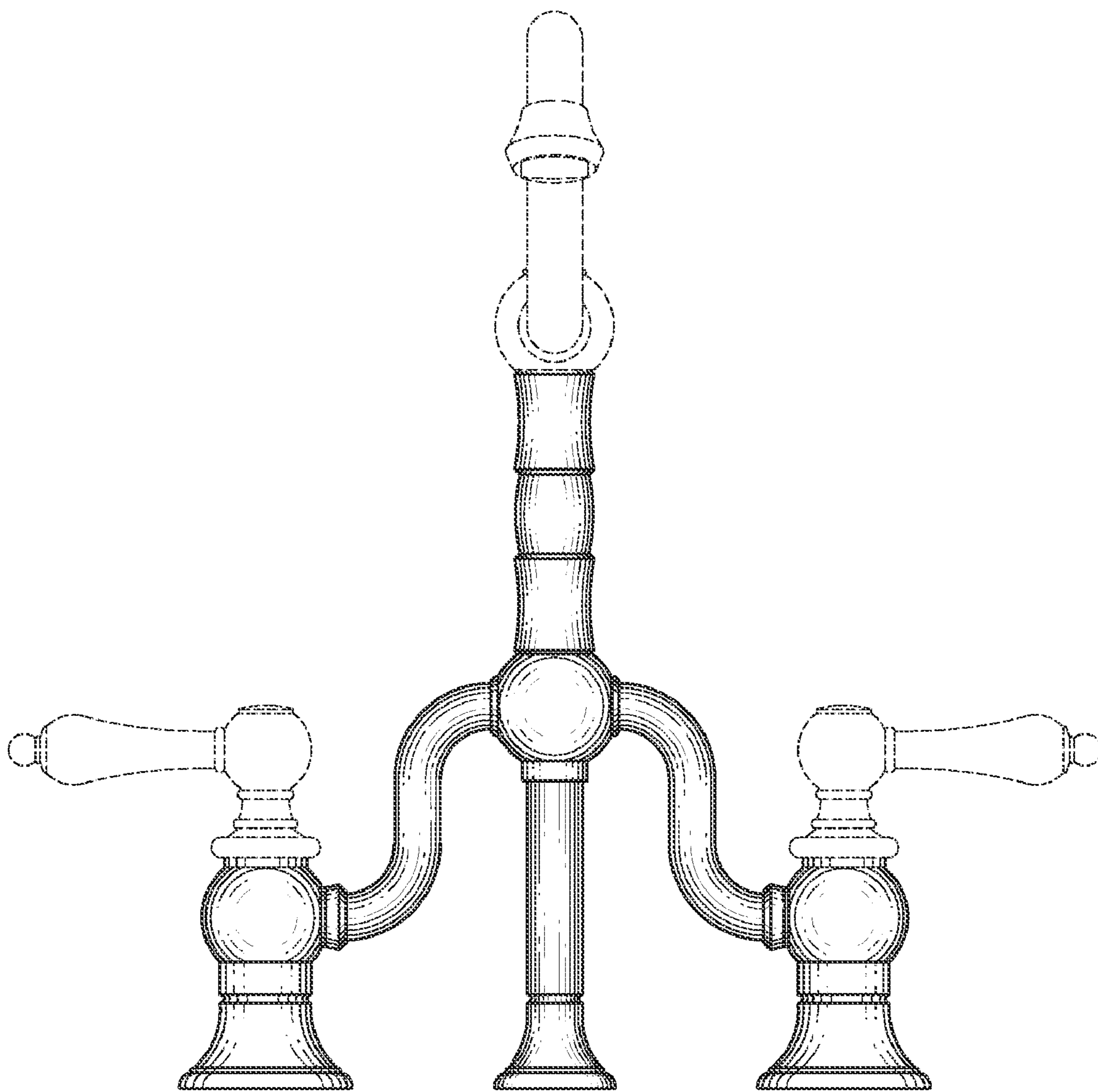


FIG. 6

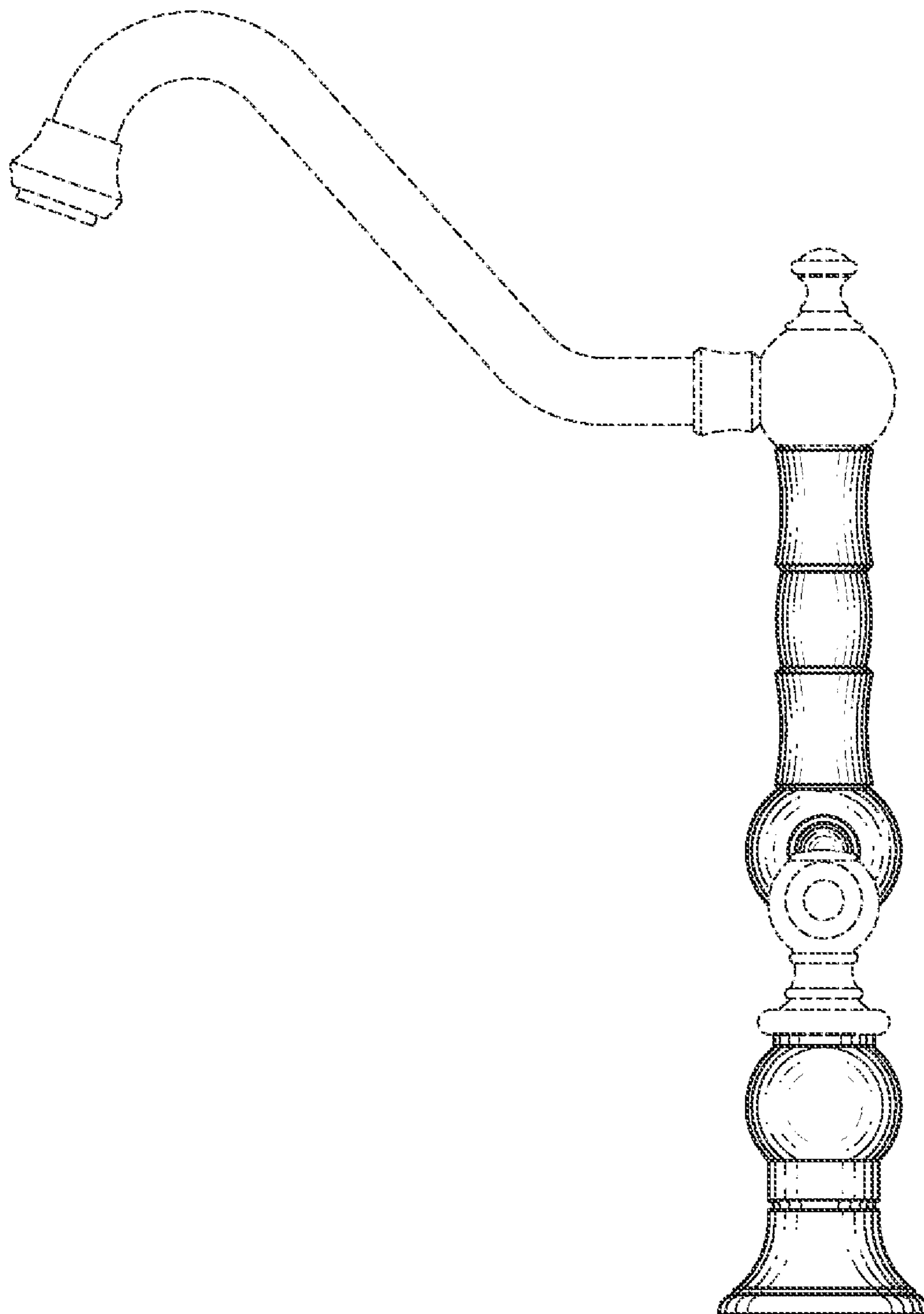


FIG. 7

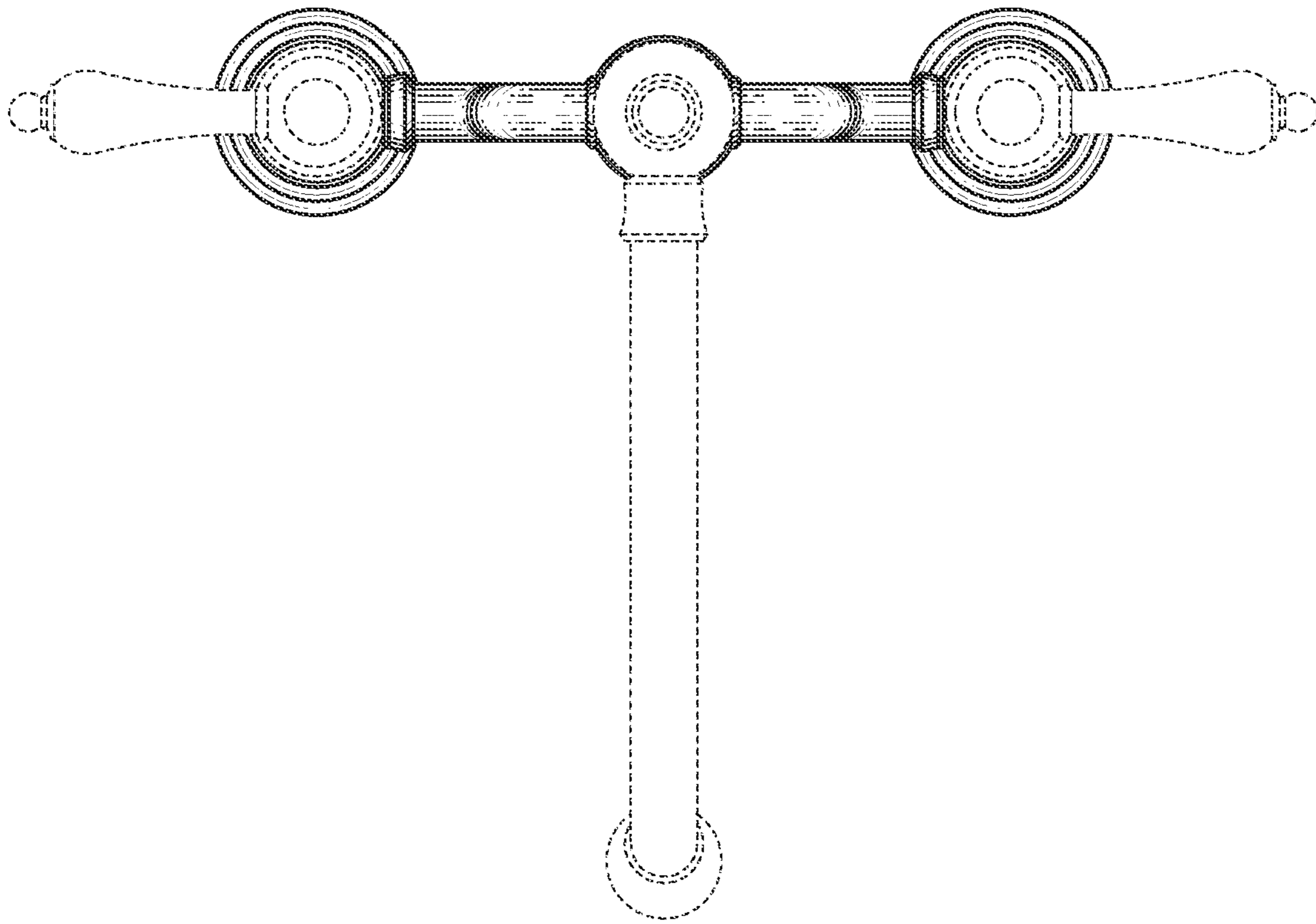


FIG. 8