



US00D592276S

(12) **United States Design Patent**
Schoenherr et al.

(10) **Patent No.:** **US D592,276 S**

(45) **Date of Patent:** **** May 12, 2009**

(54) **HAND-HELD SHOWERHEAD**

(75) Inventors: **Tom Schoenherr**, Stuttgart (DE);
Fabian Kollmann, Stuttgart (DE)

(73) Assignee: **Hansgrohe AG**, Schiltach (DE)

(**) Term: **14 Years**

(21) Appl. No.: **29/322,132**

(22) Filed: **Jul. 30, 2008**

(30) **Foreign Application Priority Data**

Jan. 31, 2008 (EP) 000870282-0001

(51) **LOC (9) Cl.** **23-01**

(52) **U.S. Cl.** **D23/223**

(58) **Field of Classification Search** D23/213,
D23/223, 229-230; 239/282-283, 460, 462
See application file for complete search history.

(56) **References Cited**

U.S. PATENT DOCUMENTS

D575,372 S * 8/2008 Mullenmeister et al. ... D23/223
D581,485 S * 11/2008 Kollmann et al. D23/223

OTHER PUBLICATIONS

Brochure—Docce Handshowers 05/00, 2 pgs., Bossini srl,
Castenedolo, Italy (at least as early as Oct. 2, 2001).

Brochure—Kenny Vensen International Co., Ltd., 4 pgs., Kenny
Vensen International Co., Ltd., Taichung, Taiwan R.O.C. (at least as
early as Mar. 9, 2007).

* cited by examiner

Primary Examiner—Robin V Webster

(74) *Attorney, Agent, or Firm*—Nirav D. Parikh; Edgar A.
Zarins

(57) **CLAIM**

The ornamental design for a hand-held showerhead, as shown
and described.

DESCRIPTION

FIG. 1 is a front and bottom perspective view of a hand-held
showerhead showing our new design;

FIG. 2 is a front view thereof;

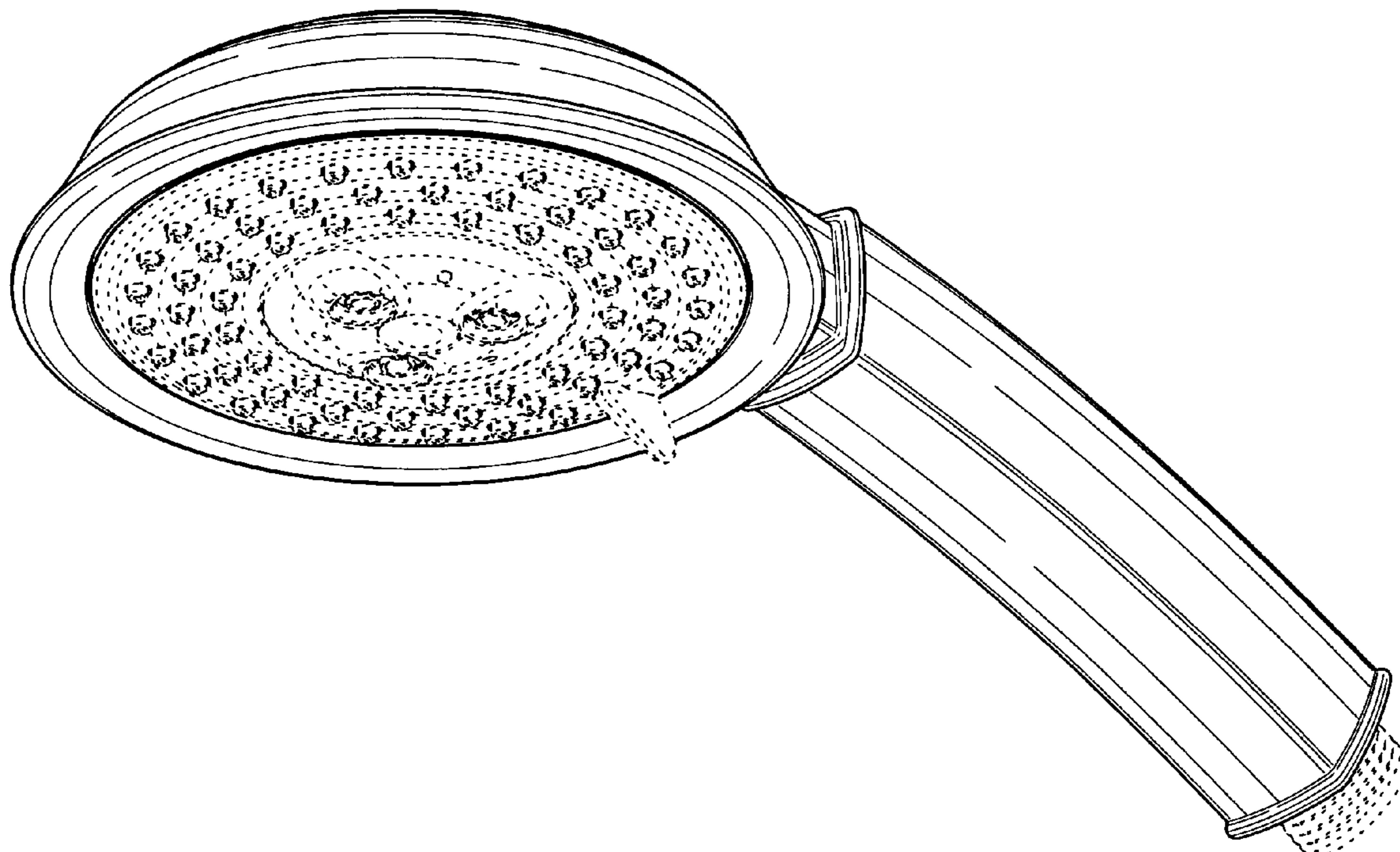
FIG. 3 is a left side elevational view thereof; the right side
elevational view being a mirror image thereof;

FIG. 4 is a top plan view thereof; and,

FIG. 5 is a bottom plan view thereof.

The broken lines in the figures are for the purpose of illus-
trating portions of the hand-held showerhead that form no
part of the claimed design.

1 Claim, 5 Drawing Sheets



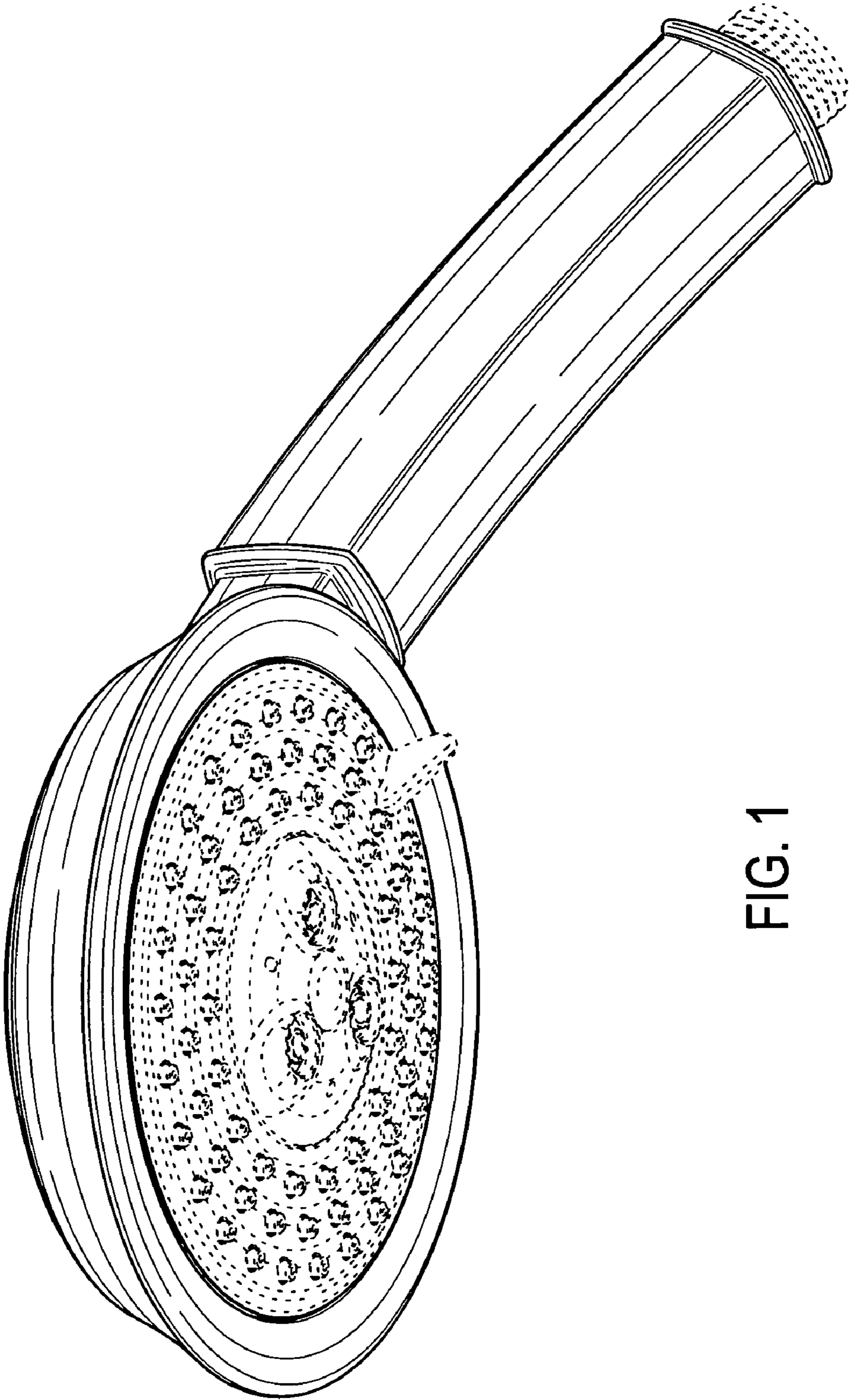


FIG. 1

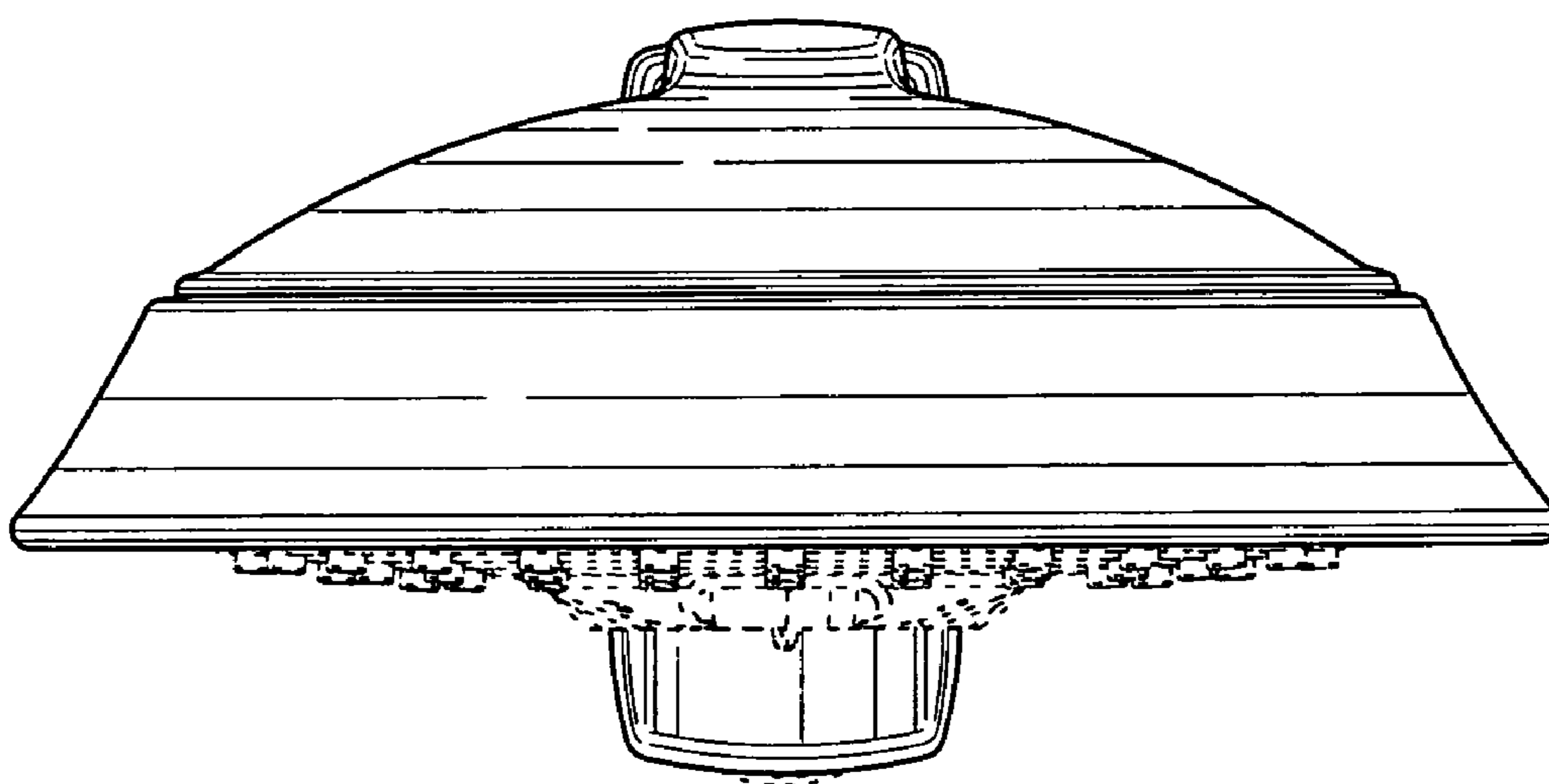


FIG. 2

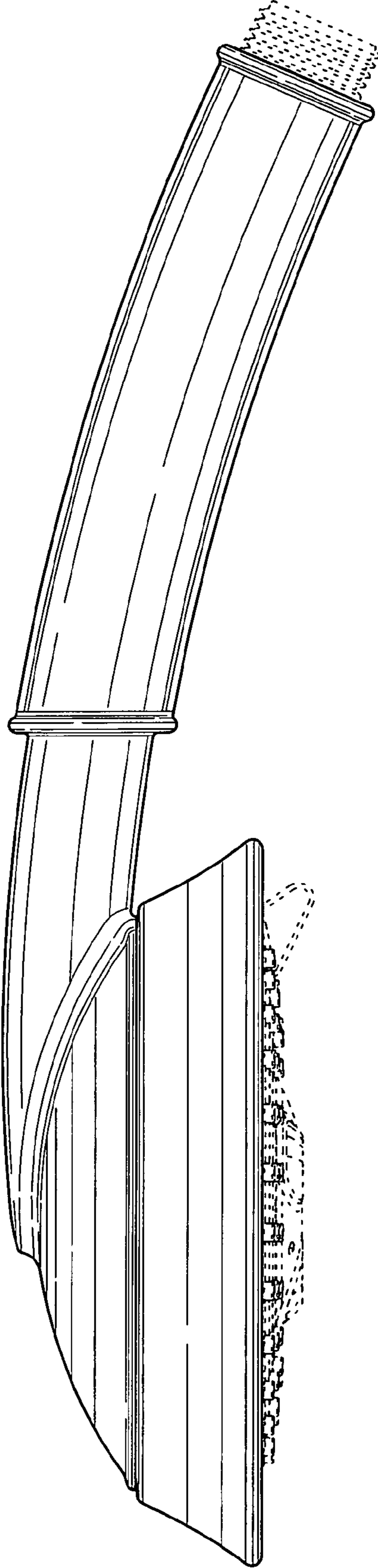


FIG. 3

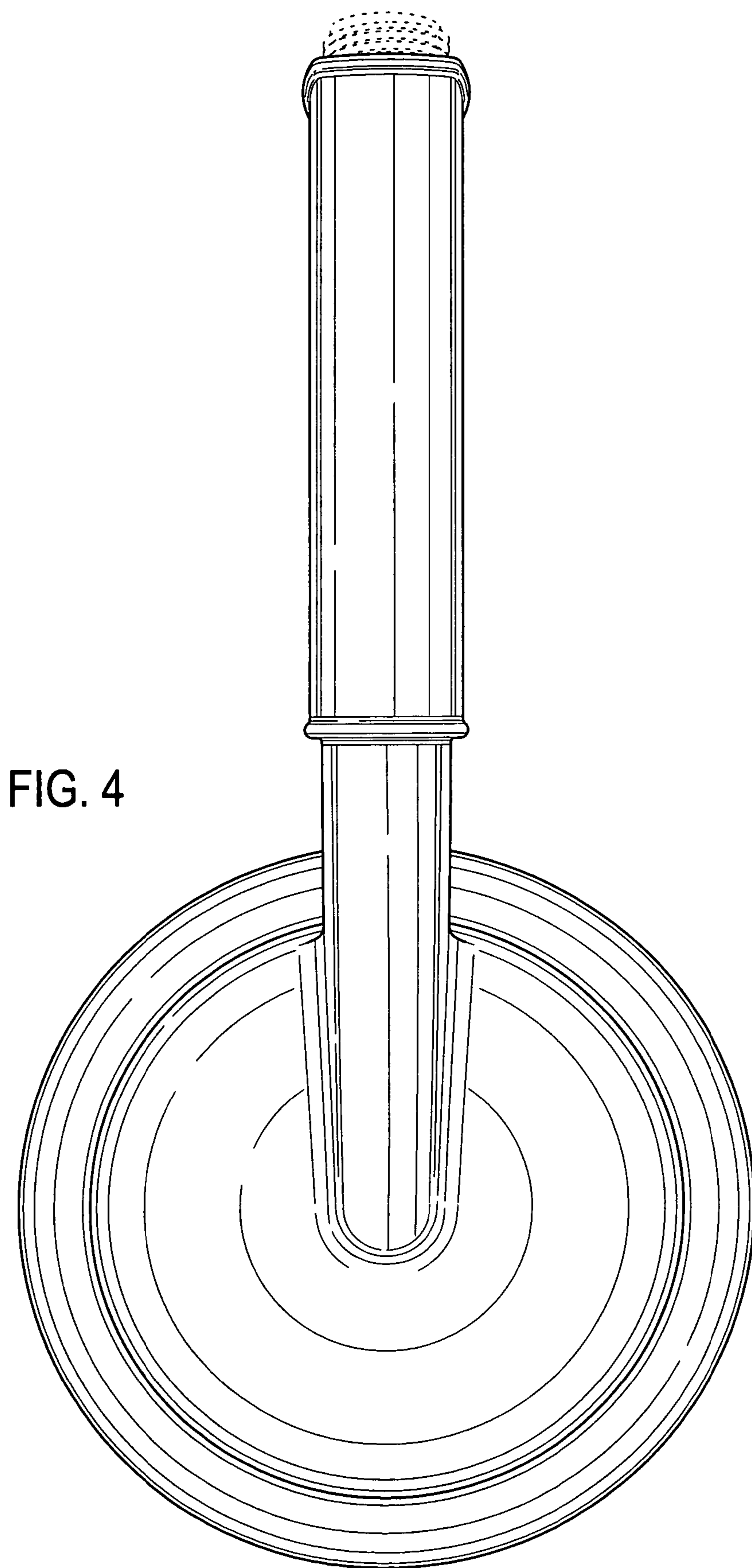


FIG. 4

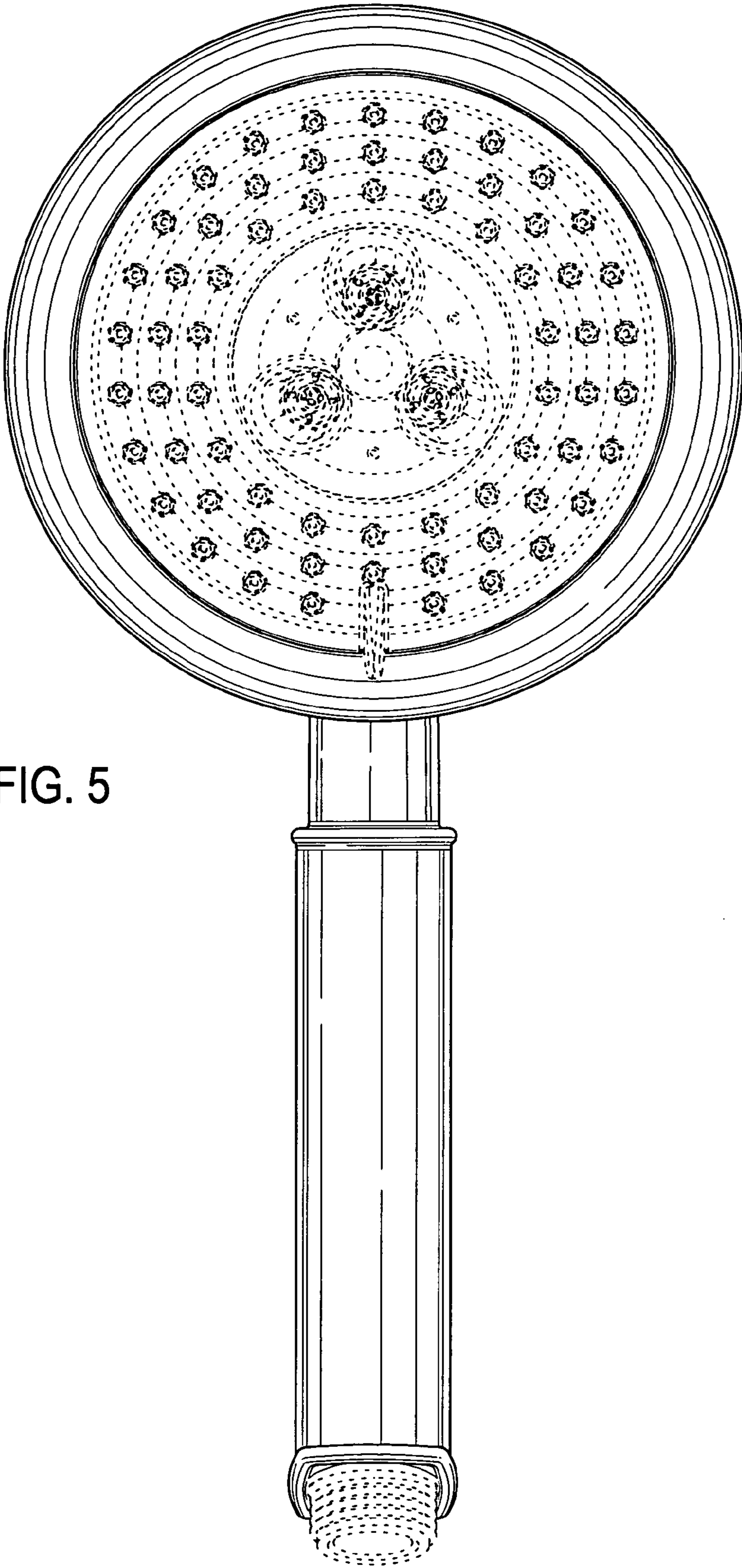


FIG. 5