



US00D592271S

(12) **United States Design Patent**
Salva

(10) **Patent No.:** **US D592,271 S**
(45) **Date of Patent:** **** May 12, 2009**

(54) **BARREL FOR SPORTING RIFLES AND FIREARMS**

5,435,089 A * 7/1995 Rodney, Jr. 42/51
5,782,030 A * 7/1998 French 42/76.01

(75) Inventor: **Francisco Casas Salva**, Barcelona (ES)

* cited by examiner

(73) Assignee: **Industrias El Gamo, S.A.**, Barcelona (ES)

Primary Examiner—Cathron C Brooks

Assistant Examiner—Melanie Levy

(74) *Attorney, Agent, or Firm*—Nixon & Vanderhye, P.C.

(**) Term: **14 Years**

(57) **CLAIM**

(21) Appl. No.: **29/268,749**

The ornamental design for a barrel for sporting rifles and firearms, as shown and described.

(22) Filed: **Nov. 13, 2006**

(30) **Foreign Application Priority Data**

DESCRIPTION

May 12, 2006 (EM) 000528104

FIG. 1 is a right side view of a gun barrel showing my new design;

(51) **LOC (9) Cl.** **22-01**

FIG. 2 is a bottom view thereof;

(52) **U.S. Cl.** **D22/108**

FIG. 3 is a left side view thereof;

(58) **Field of Classification Search** D22/100,

FIG. 4 is a top view thereof;

D22/103, 108, 199; 124/83, 67, 59, 60; 42/76.01,

FIG. 5 is front view of the front end of the barrel;

42/76.02, 78, 77, 79; 89/14.05, 16, 14.1–14.6

FIG. 6 is a rear view thereof; and,

See application file for complete search history.

FIG. 7 is a right side upper perspective view thereof.

(56) **References Cited**

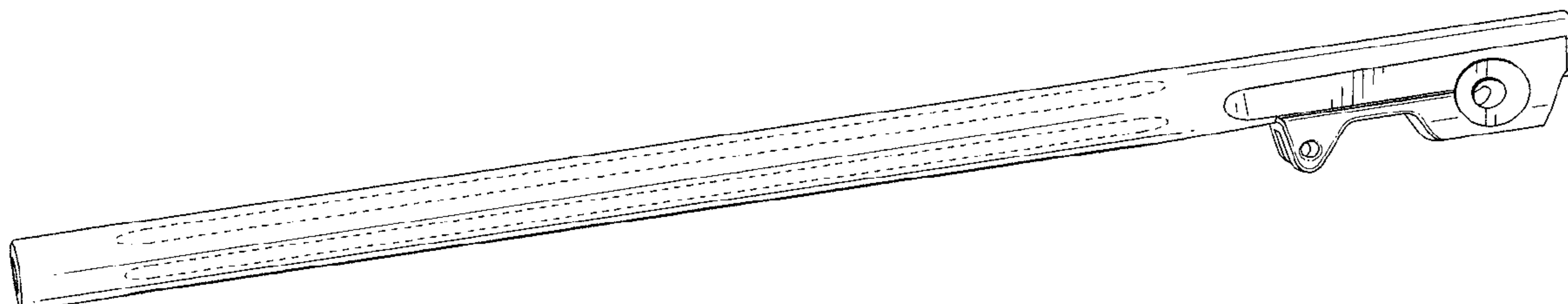
The broken lines shown in the drawings represent unclaimed portions of the design and form no part thereof.

U.S. PATENT DOCUMENTS

1 Claim, 3 Drawing Sheets

4,010,564 A * 3/1977 Pettit 42/112

D246,660 S * 12/1977 Mattarelli D22/109



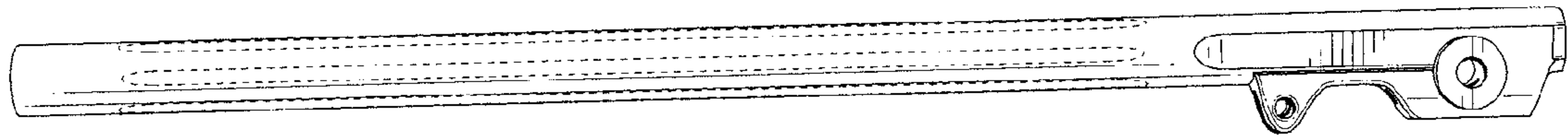


Figure 1

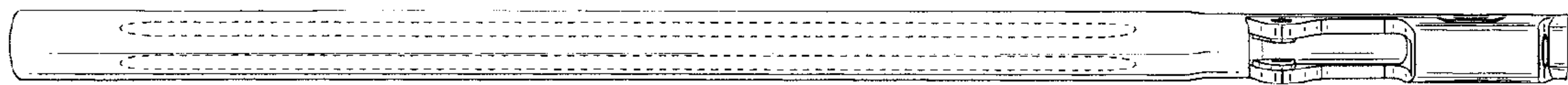


Figure 2

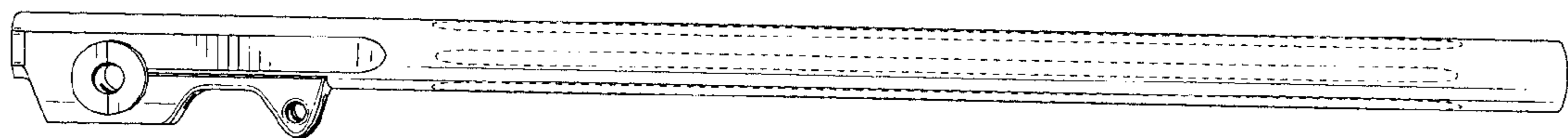


Figure 3

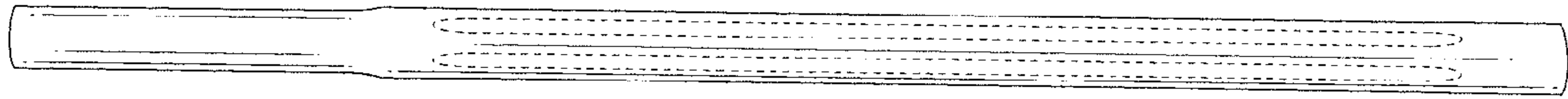


Figure 4

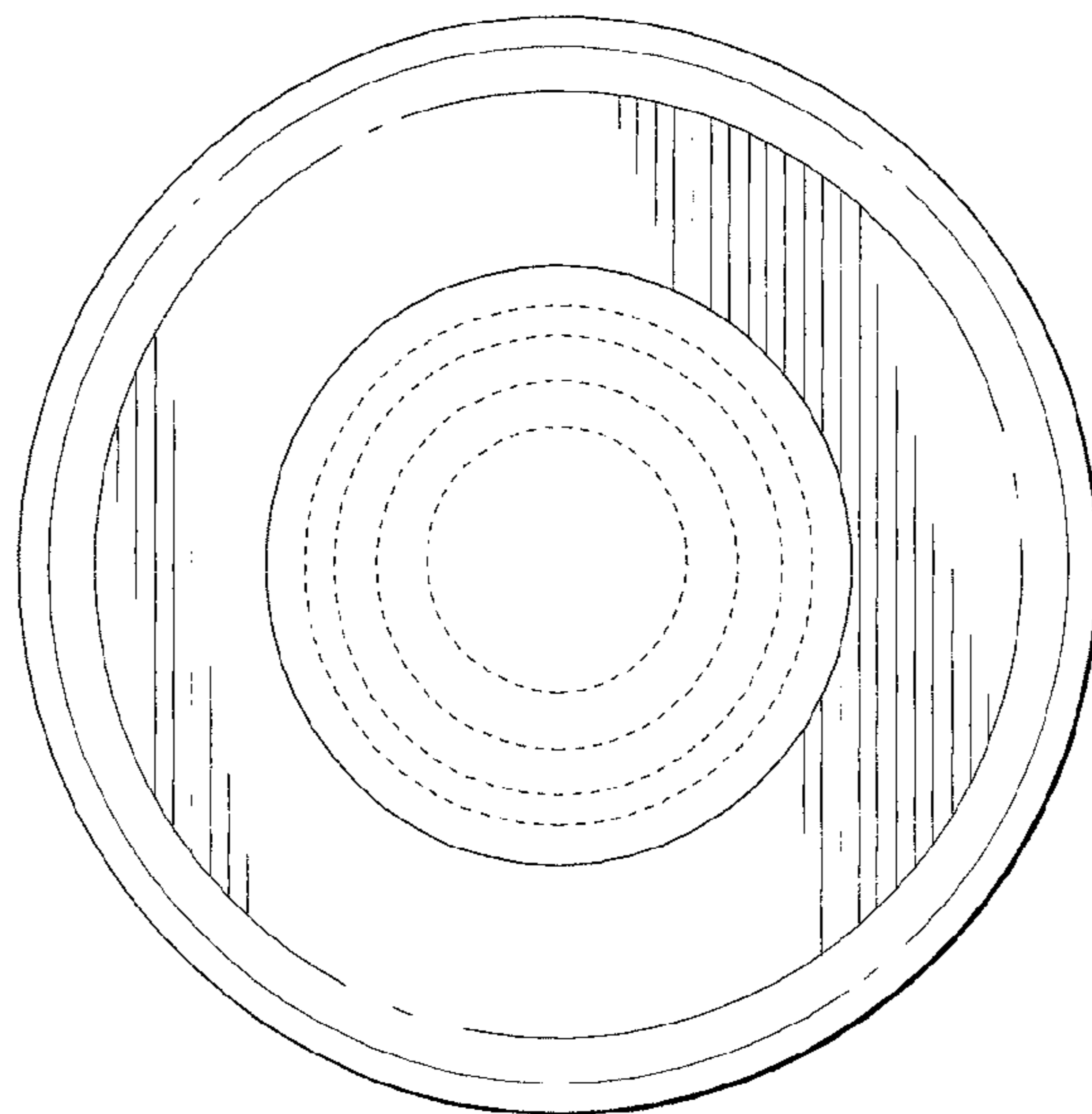


Figure 5

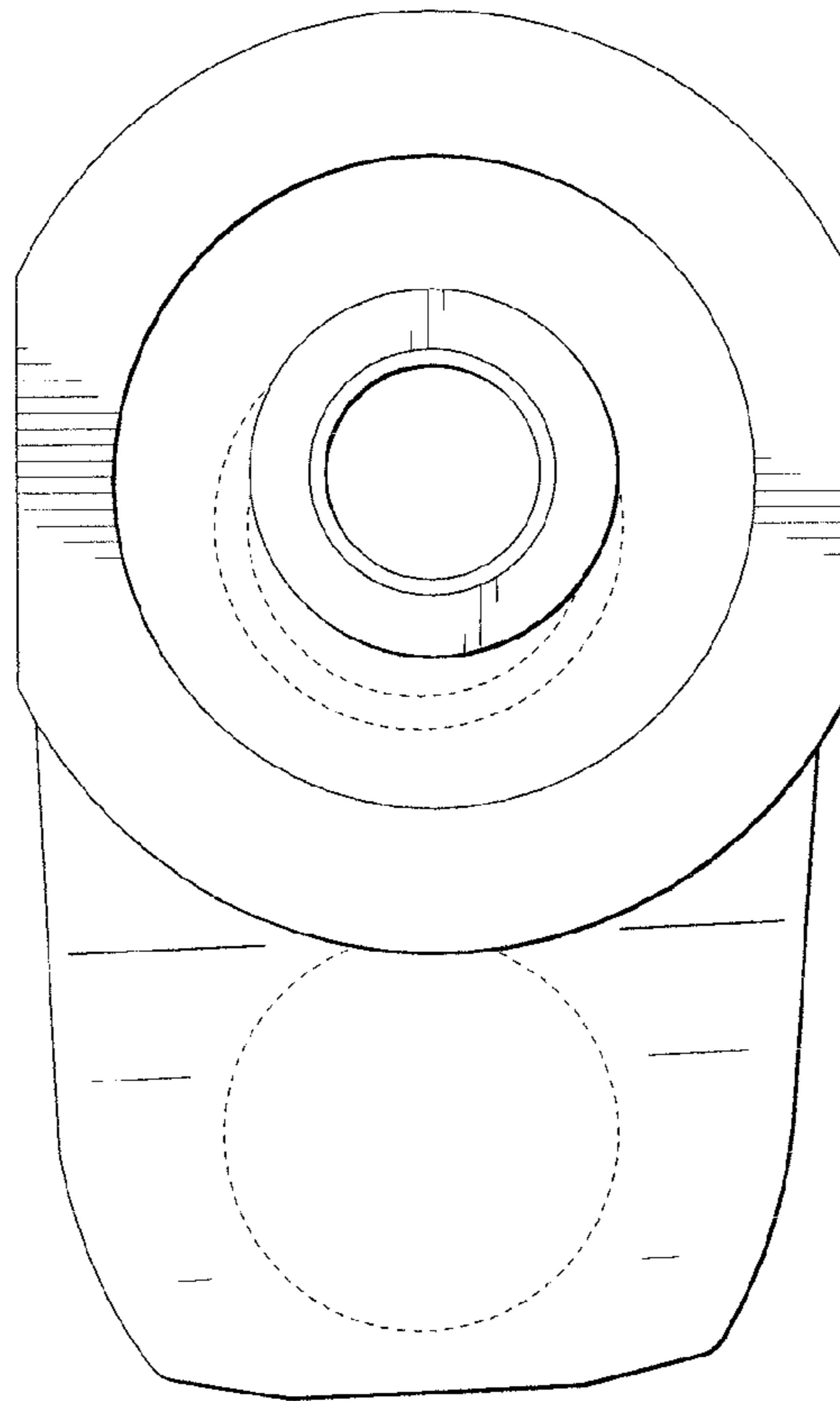


Figure 6

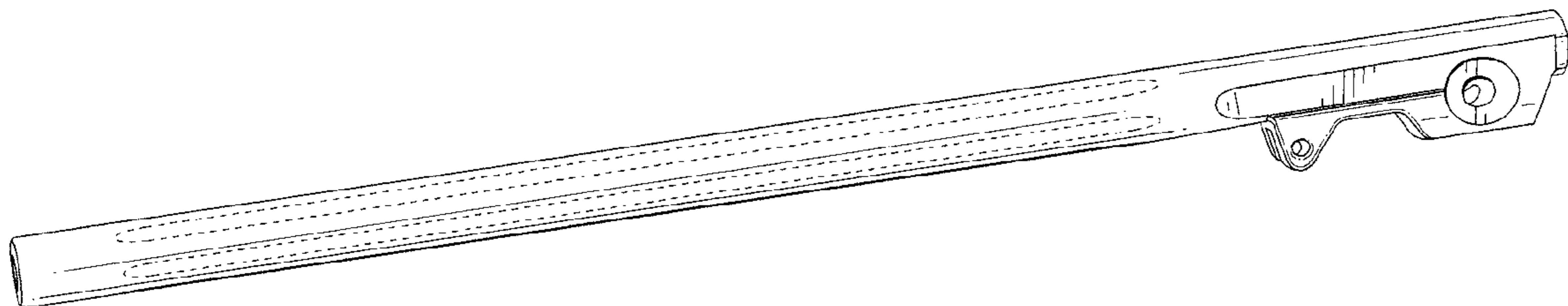


Figure 7