



US00D592270S

(12) **United States Design Patent**  
**Cobb et al.**

(10) **Patent No.:** **US D592,270 S**

(45) **Date of Patent:** **\*\* May 12, 2009**

(54) **INFLATABLE TENT FRAME**

(76) Inventors: **Henry D. Cobb**, 603 Horseshoe Curve,  
Pike Road, AL (US) 36064; **H. David**  
**Cobb, II**, 8697 Huntingdon Ridge Dr.,  
Montgomery, AL (US) 36117

(\*\*) Term: **14 Years**

(21) Appl. No.: **29/324,990**

(22) Filed: **Sep. 24, 2008**

(51) **LOC (9) Cl.** ..... **21-04**

(52) **U.S. Cl.** ..... **D21/835; D21/839**

(58) **Field of Classification Search** ..... D21/440,  
D21/814, 818, 820, 835, 839; D25/18, 22,  
D25/29, 61; 135/90, 96, 121, 124–126; 52/2.11–2.19,  
52/2.21, 2.25

See application file for complete search history.

(56) **References Cited**

**U.S. PATENT DOCUMENTS**

2,875,771	A *	3/1959	Brewin	.....	52/2.11
3,145,719	A *	8/1964	Johnson	.....	52/2.21
4,197,681	A *	4/1980	Holcombe	.....	52/2.21
D300,649	S *	4/1989	Tauer	.....	D21/835
5,205,086	A *	4/1993	Heim	.....	52/2.13
5,421,128	A	6/1995	Sharpless et al.		
5,570,544	A *	11/1996	Hale et al.	.....	52/2.18
D388,494	S *	12/1997	Liu	.....	D21/839
D389,219	S *	1/1998	Liu	.....	D21/839
5,761,852	A *	6/1998	Liu	.....	52/2.18
D396,087	S *	7/1998	Liu	.....	D21/835
D410,259	S *	5/1999	Sumner	.....	D21/440
D414,564	S *	9/1999	Goldwitz	.....	D25/61
5,987,822	A *	11/1999	McNiff et al.	.....	52/2.11
D422,667	S *	4/2000	Lau	.....	D21/814

6,182,398	B1	2/2001	Head	
D439,946	S *	4/2001	Gourchounian	..... D21/835
6,397,433	B1	6/2002	Chen	
6,463,699	B1	10/2002	Bailey et al.	
D515,167	S *	2/2006	Capwell	..... D21/835
2003/0213512	A1 *	11/2003	Lee	..... 135/126
2005/0284031	A1 *	12/2005	Chen	..... 52/2.11
2007/0169803	A1	7/2007	Brensinger	
2007/0271854	A1	11/2007	Wiegand et al.	

\* cited by examiner

*Primary Examiner*—Holly H Baynham

*Assistant Examiner*—Cynthia M Chin

(74) *Attorney, Agent, or Firm*—Kenneth M. Bush; Gerald M. Walsh; Bush Intellectual Property Law

(57) **CLAIM**

We claim the ornamental design for an inflatable tent frame, as shown and described.

**DESCRIPTION**

FIG. 1 is a perspective view of an inflatable tent frame showing our new design;

FIG. 2 is a front elevational view thereof, the rear elevational view being identical to the front elevational view;

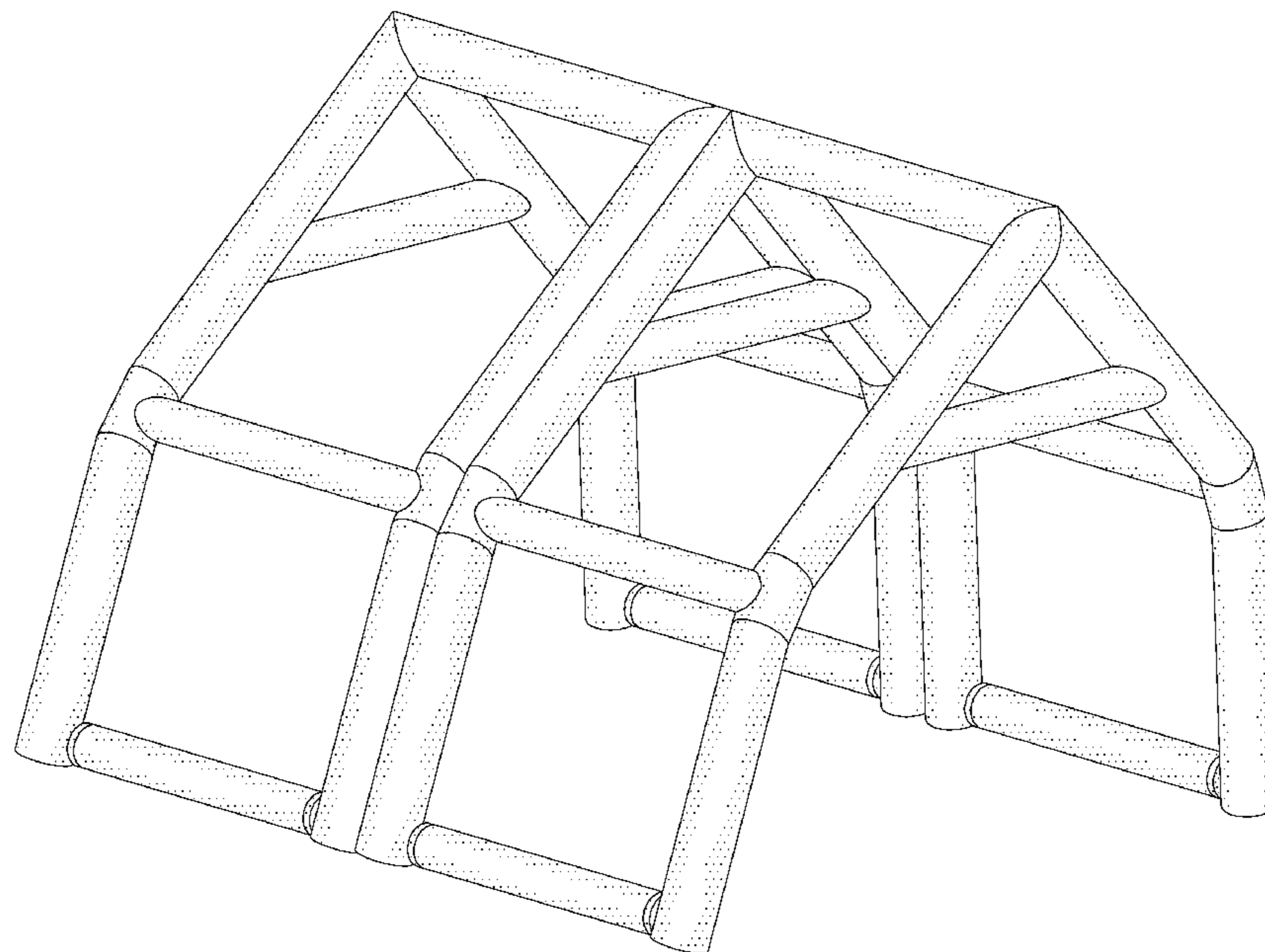
FIG. 3 is a right side elevational view thereof, the left side elevational view being identical to the right side elevational view;

FIG. 4 is a top plan view thereof; and,

FIG. 5 is a bottom plan view thereof.

The stippled shading shown in the drawings represents the three-dimensional contours of the design and is not intended to indicate surface decoration.

**1 Claim, 5 Drawing Sheets**



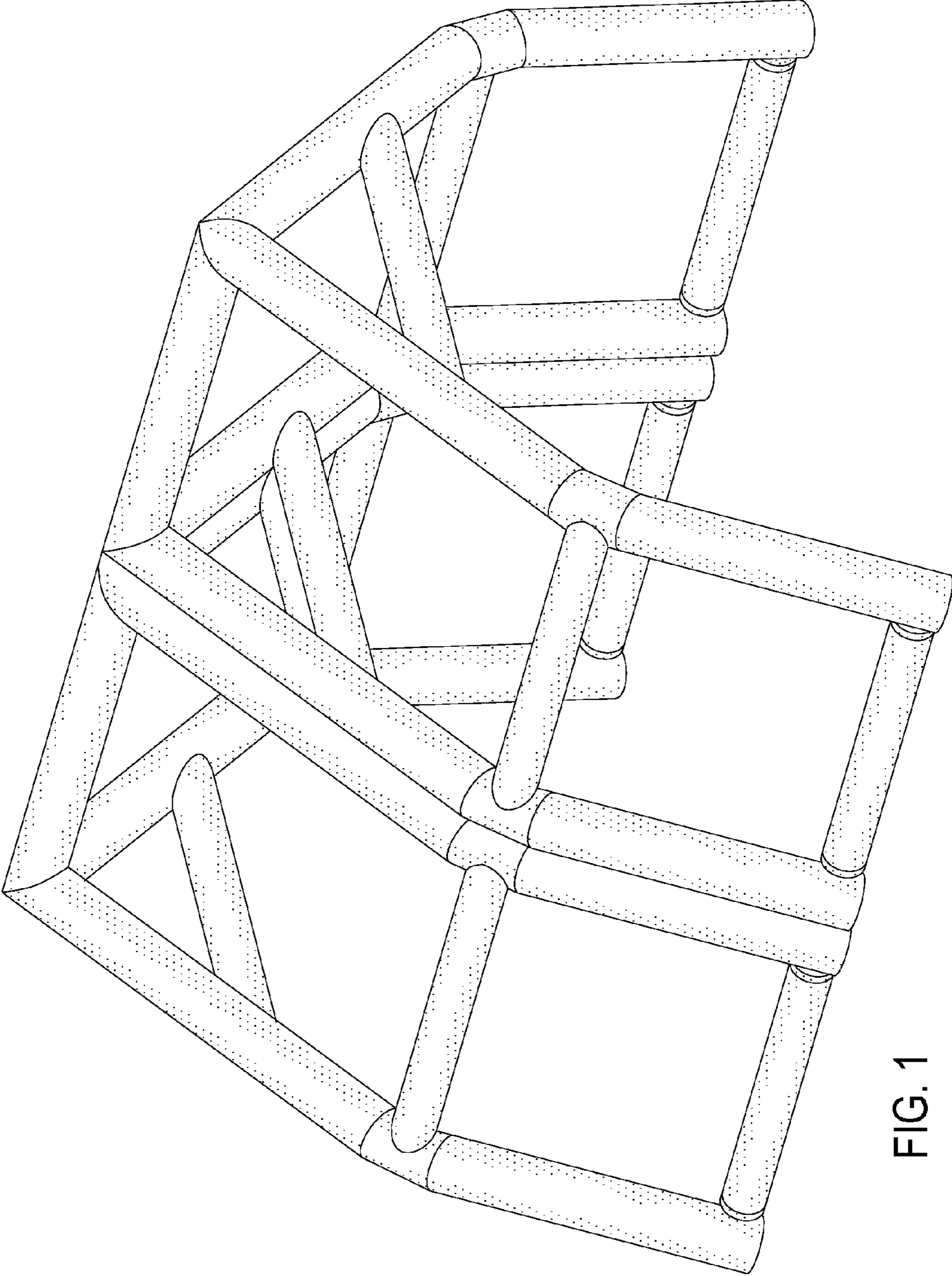


FIG. 1

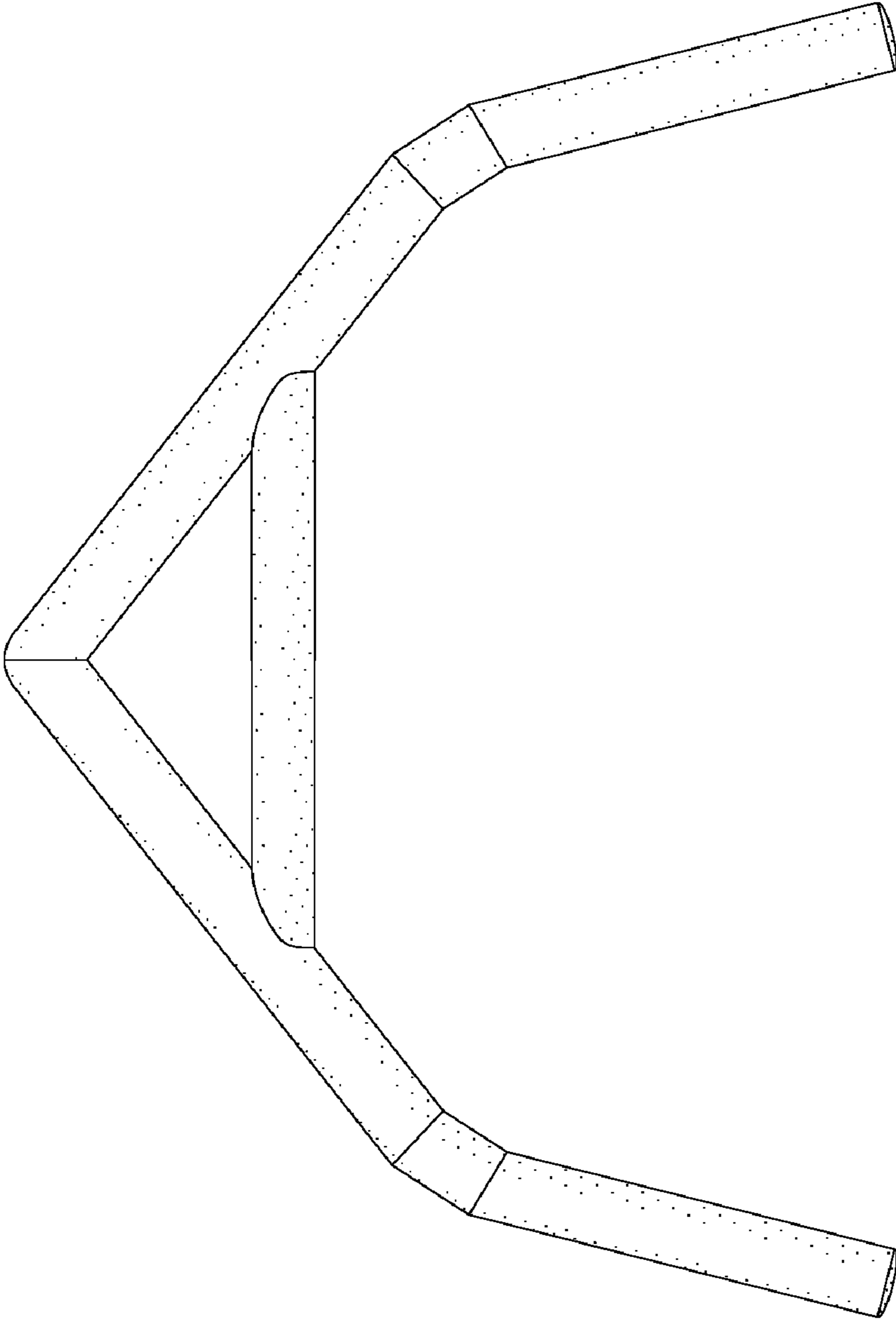


FIG. 2

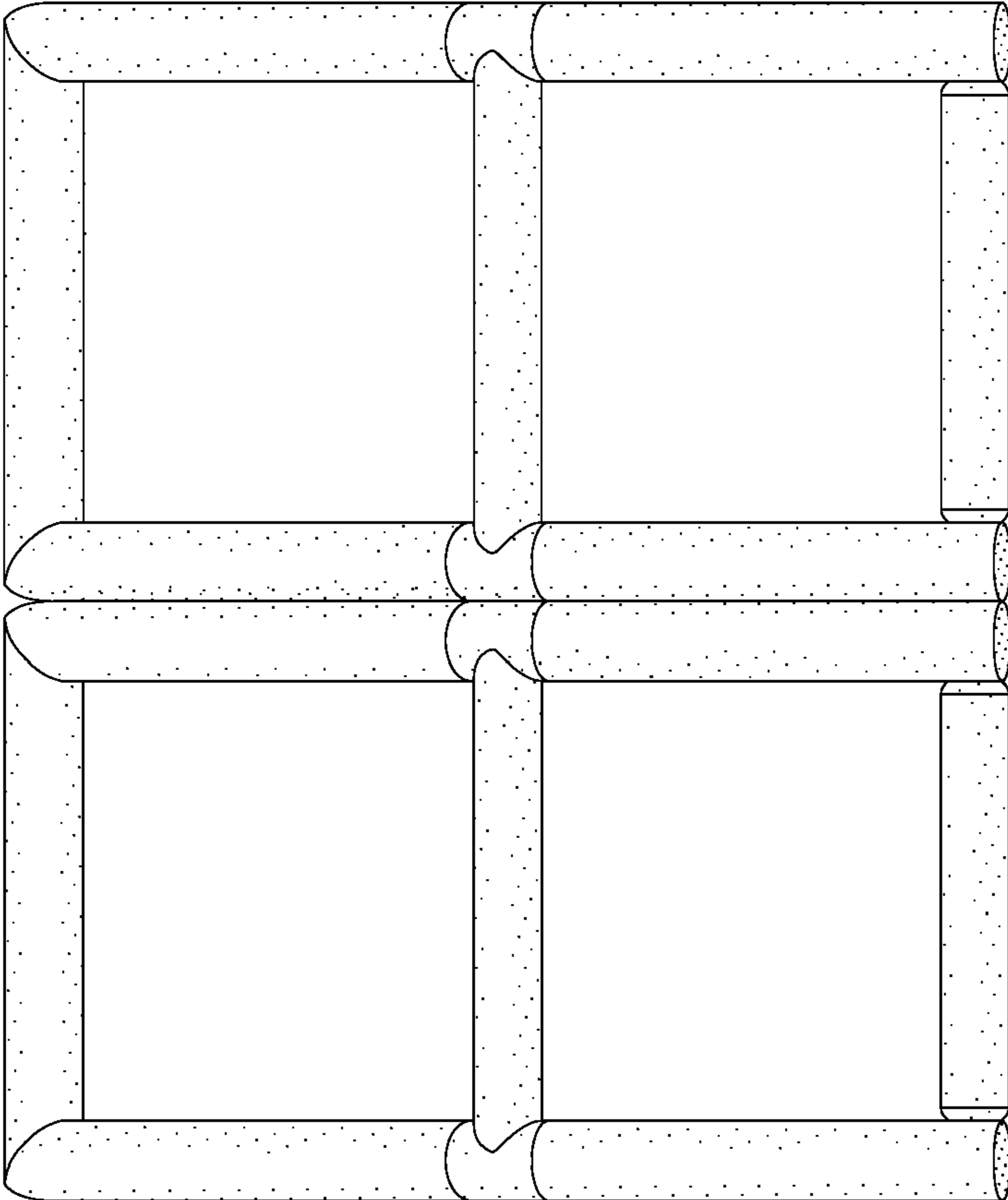


FIG. 3

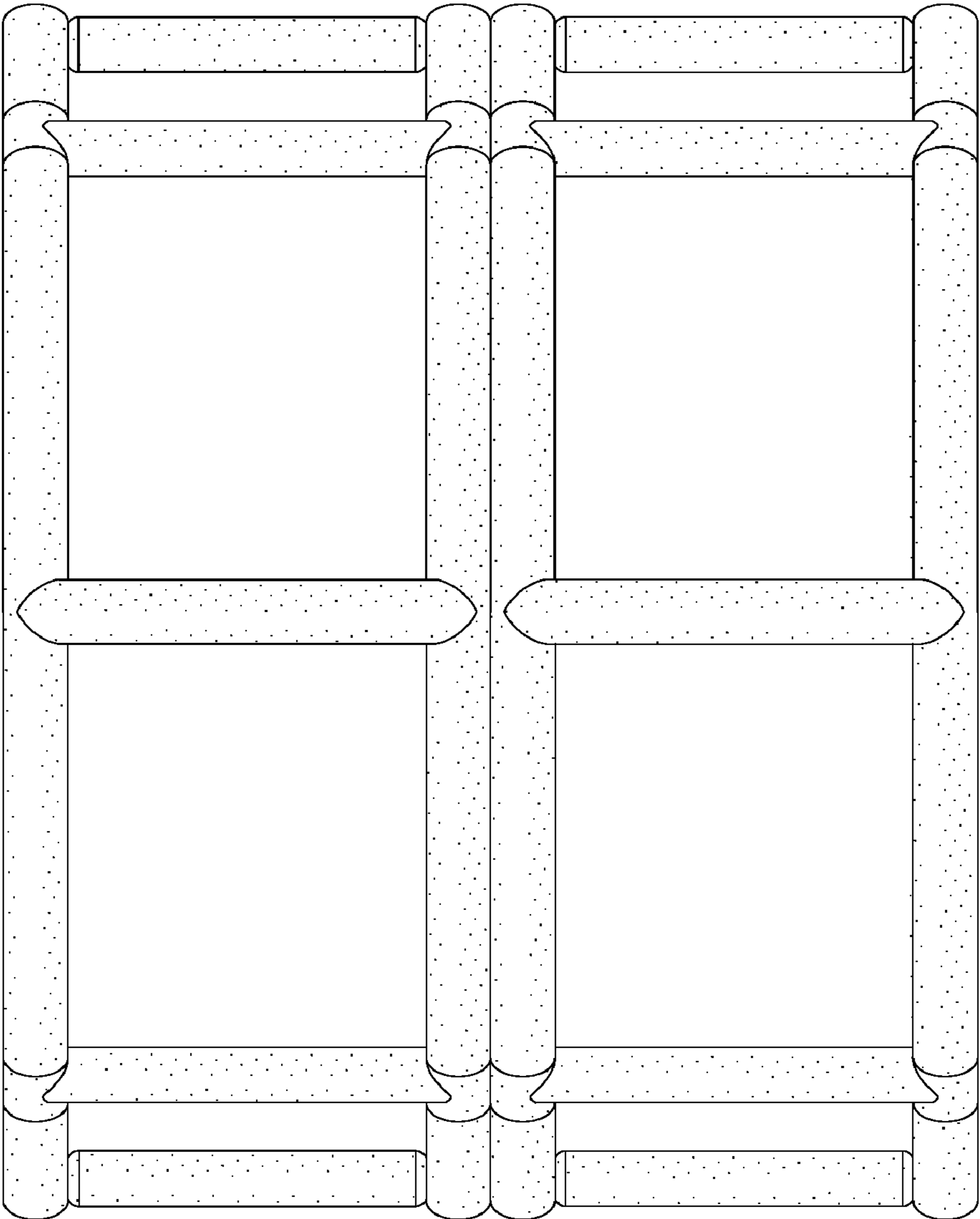


FIG. 4

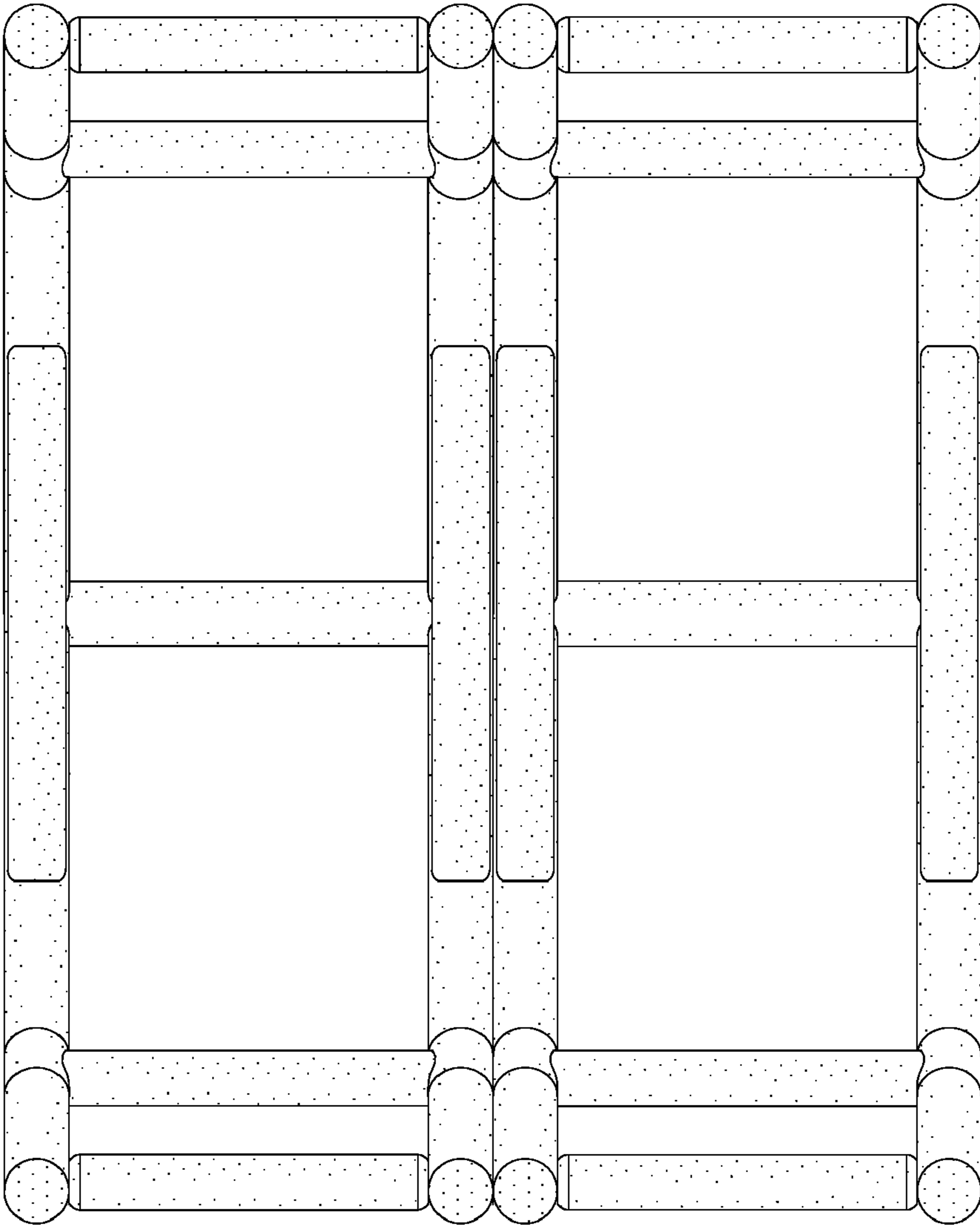


FIG. 5