



US00D592255S

(12) **United States Design Patent**  
**Tak**

(10) **Patent No.:** **US D592,255 S**

(45) **Date of Patent:** **\*\* May 12, 2009**

(54) **JIGSAW PUZZLE PEG**

(76) Inventor: **Yeung Kai Tak**, Room 1121-22,  
Peninsula Centre, 67 Mody Road,  
Tsimshatsui Kowloon, Hong Kong  
(CN)

(\*\*) Term: **14 Years**

(21) Appl. No.: **29/318,973**

(22) Filed: **Jun. 1, 2008**

(51) **LOC (9) Cl.** ..... **21-01**

(52) **U.S. Cl.** ..... **D21/480; D8/DIG. 2**

(58) **Field of Classification Search** ..... D21/385,  
D21/386, 468, 470, 478-480, 484, 487, 488,  
D21/499, 500, 503-505; D8/300-322, 349,  
D8/355, 382-399, DIG. 1, DIG. 2; D11/213,  
D11/214, 220, 222, 226, 227; 16/110.1,  
16/422, 425, 2.1; 273/236-291, 153 R, 156,  
273/157 R, 160, 153 J; 434/128, 150, 159-161,  
434/171, 172, 193, 195, 200, 208, 259, 393,  
434/406; 24/106-108, 104, 297, 114.05,  
24/114.4, 453, 457, 458; 411/508-511, 913  
See application file for complete search history.

(56) **References Cited**

**U.S. PATENT DOCUMENTS**

49,305 A \* 8/1865 Ruggles ..... 24/108  
229,240 A \* 6/1880 Dobell ..... 24/108  
661,916 A \* 11/1900 Liphard ..... 24/41.1  
1,033,422 A \* 7/1912 Langley et al. .... 273/153 J  
1,276,344 A \* 8/1918 Gilman ..... 434/304  
1,286,745 A \* 12/1918 Otte ..... 16/417  
1,431,674 A \* 10/1922 MacGill, Jr. .... 411/338  
3,803,670 A \* 4/1974 Johnson ..... 411/508  
4,218,599 A \* 8/1980 Garn ..... 200/530

4,475,273 A \* 10/1984 Konno ..... 24/108  
D291,864 S \* 9/1987 Hill ..... D8/354  
4,768,704 A \* 9/1988 Beckway et al. .... 229/125.38  
7,257,870 B2 \* 8/2007 Deas et al. .... 24/453  
D552,691 S \* 10/2007 Tak ..... D21/480

\* cited by examiner

*Primary Examiner*—Catherine Tuttle

(74) *Attorney, Agent, or Firm*—Jennifer Meredith, Esq.;  
Meredith & Keyhani, PLLC

(57) **CLAIM**

The ornamental design for the jigsaw puzzle peg, as shown  
and described.

**DESCRIPTION**

FIG. 1 is an exploded top perspective view of the jigsaw  
puzzle peg showing my new design;

FIG. 2 is an exploded bottom perspective view thereof;

FIG. 3 is a an exploded side view thereof;

FIG. 4 is an exploded front view thereof;

FIG. 5 is a top plan view of the separated components shown  
in FIGS. 1-4;

FIG. 6 is a bottom plan view of FIG. 5;

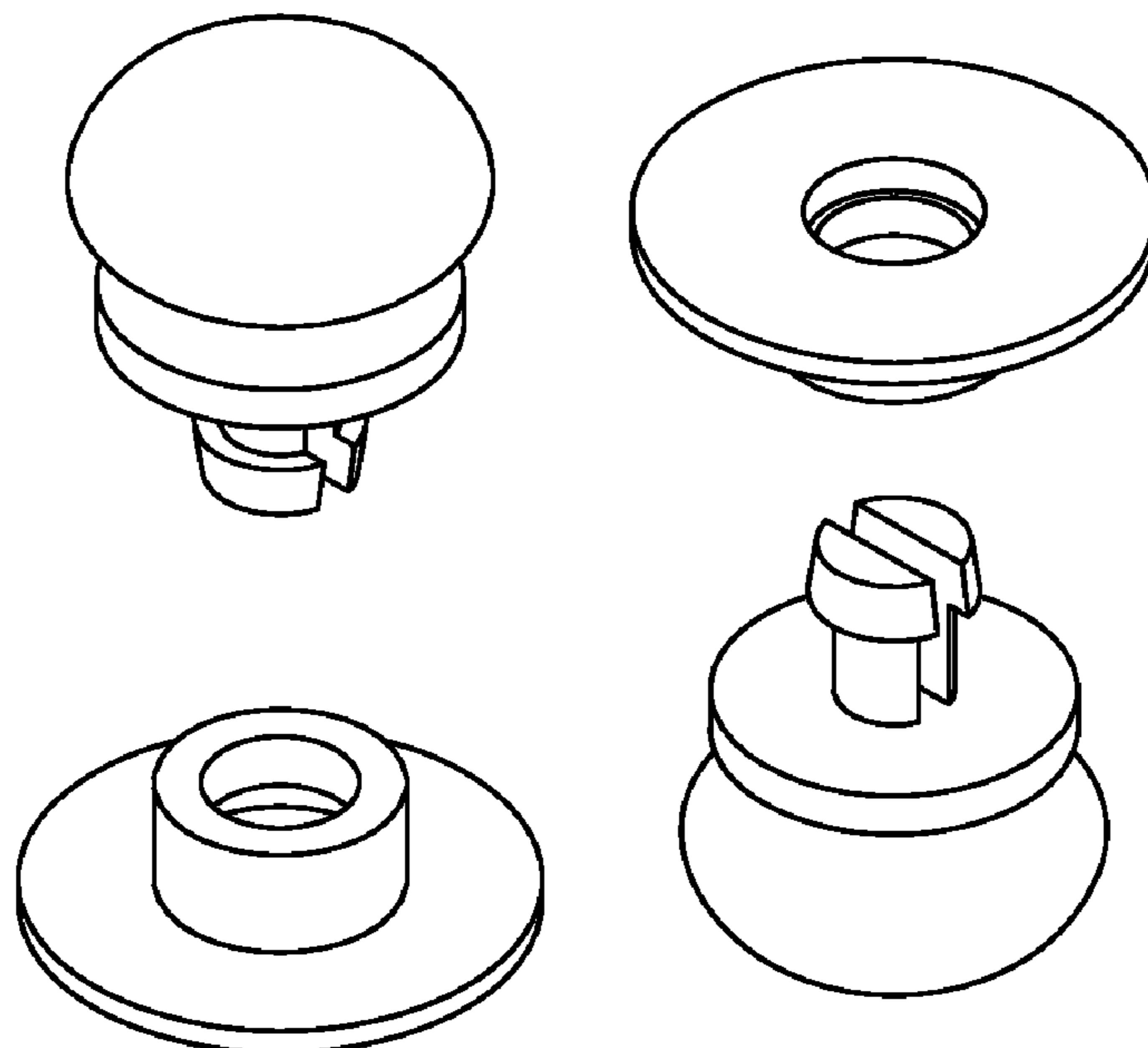
FIG. 7 is a side elevational view showing the design in its  
assembled state together with associated environmental  
structure;

FIG. 8 is a top plan view of FIG. 7; and,

FIG. 9 is a bottom plan view of FIG. 9.

The broken lines shown in FIGS. 7-9 are included for the  
purpose of illustrating environmental structure that forms no  
part of the claimed design.

**1 Claim, 3 Drawing Sheets**



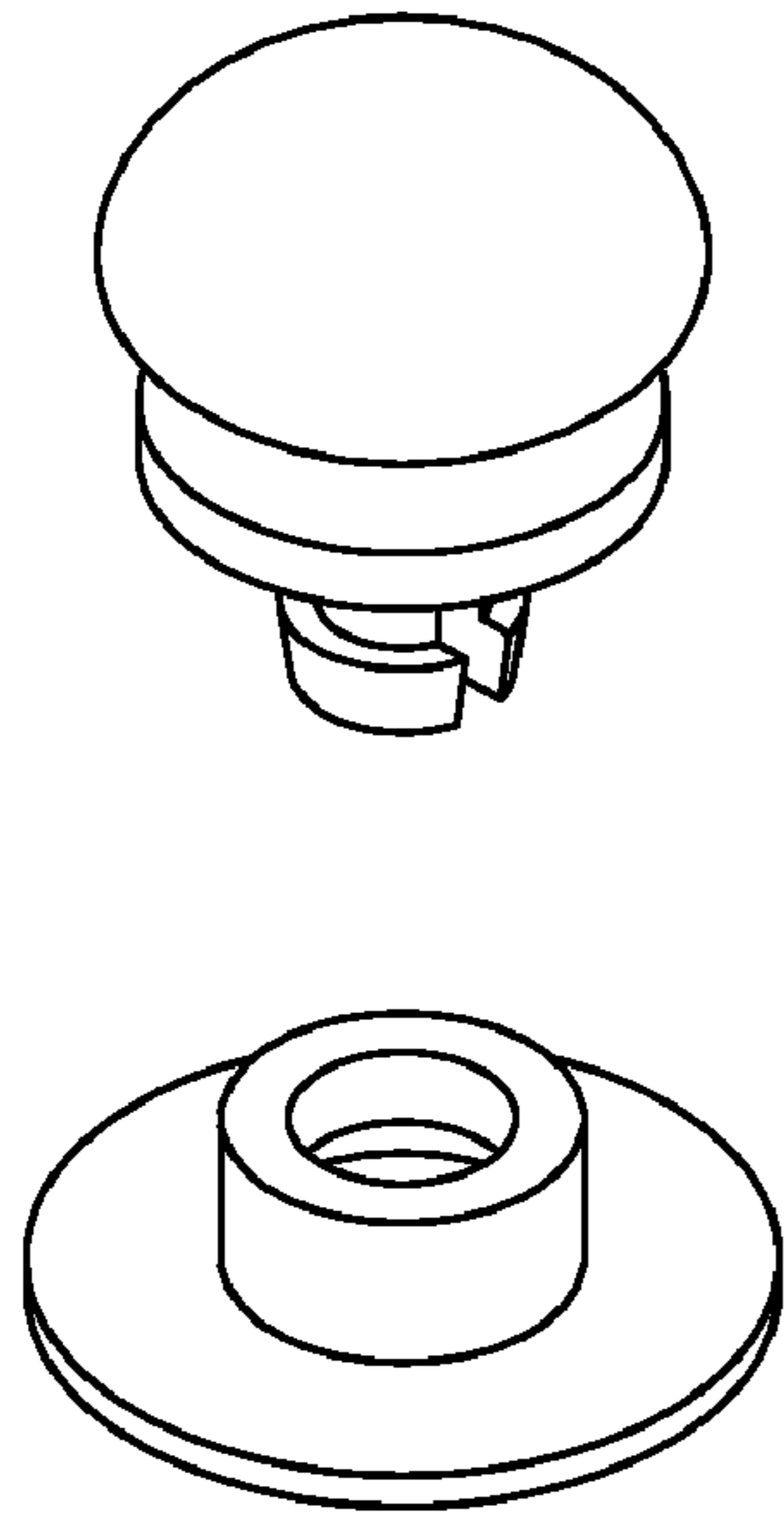


FIG. 1

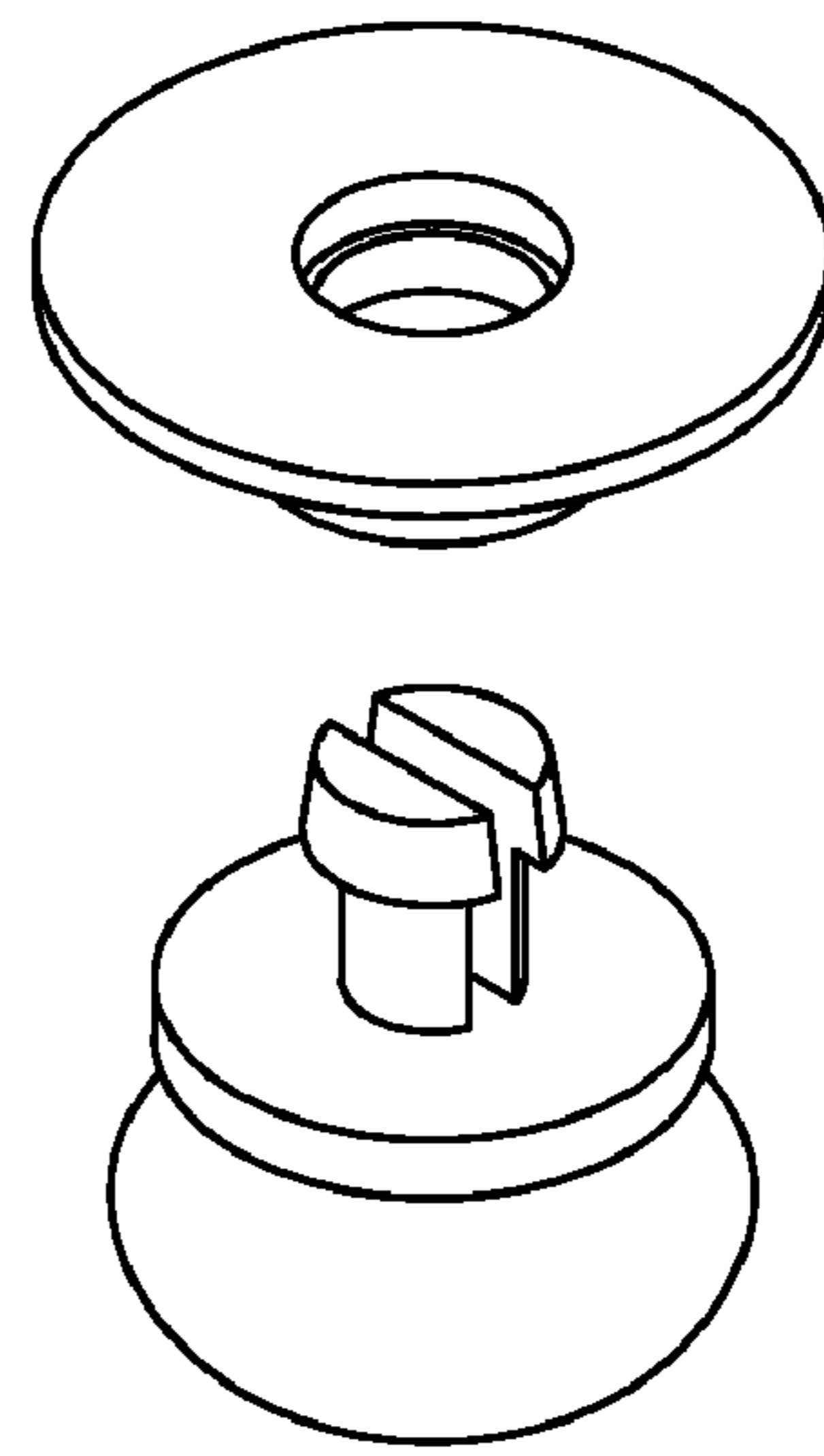


FIG. 2

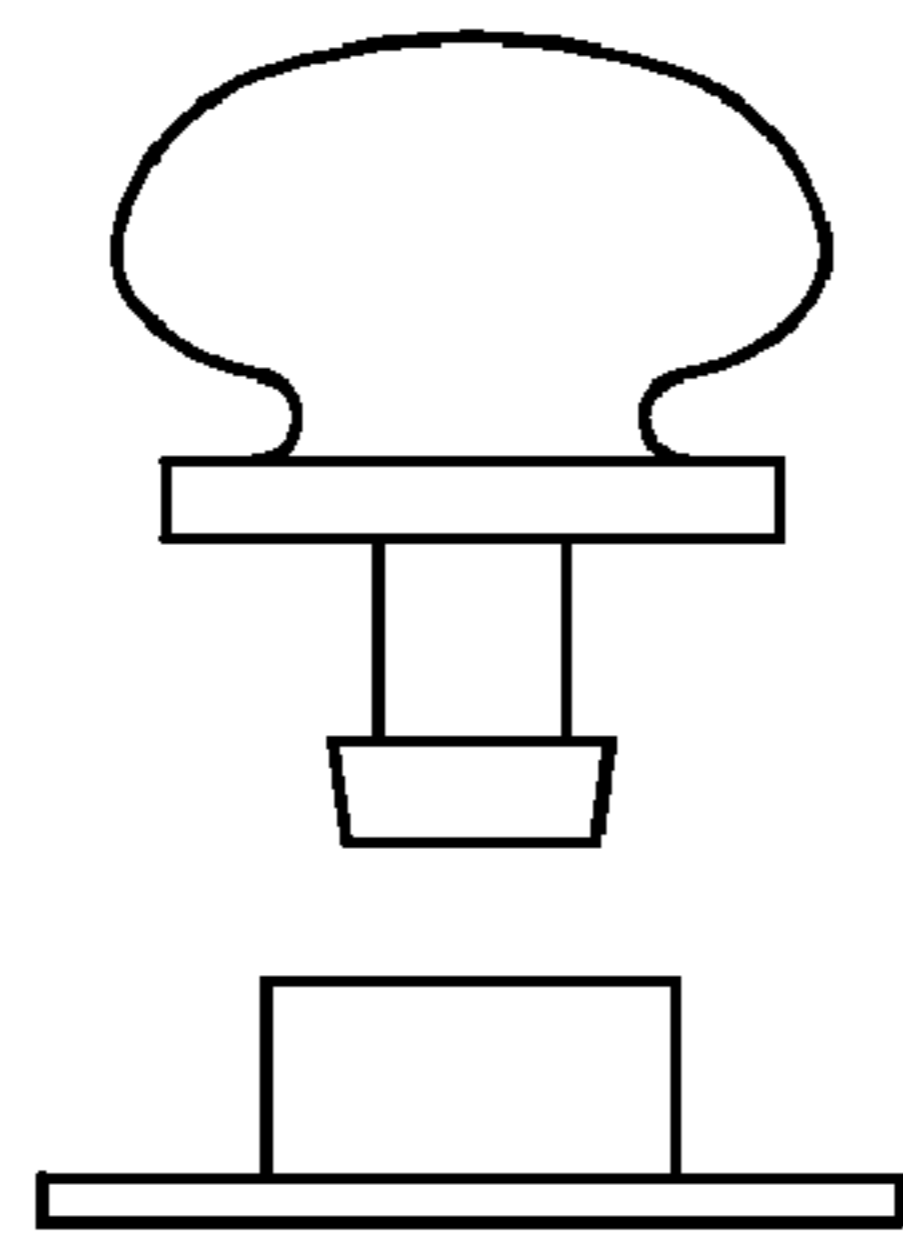


FIG. 3

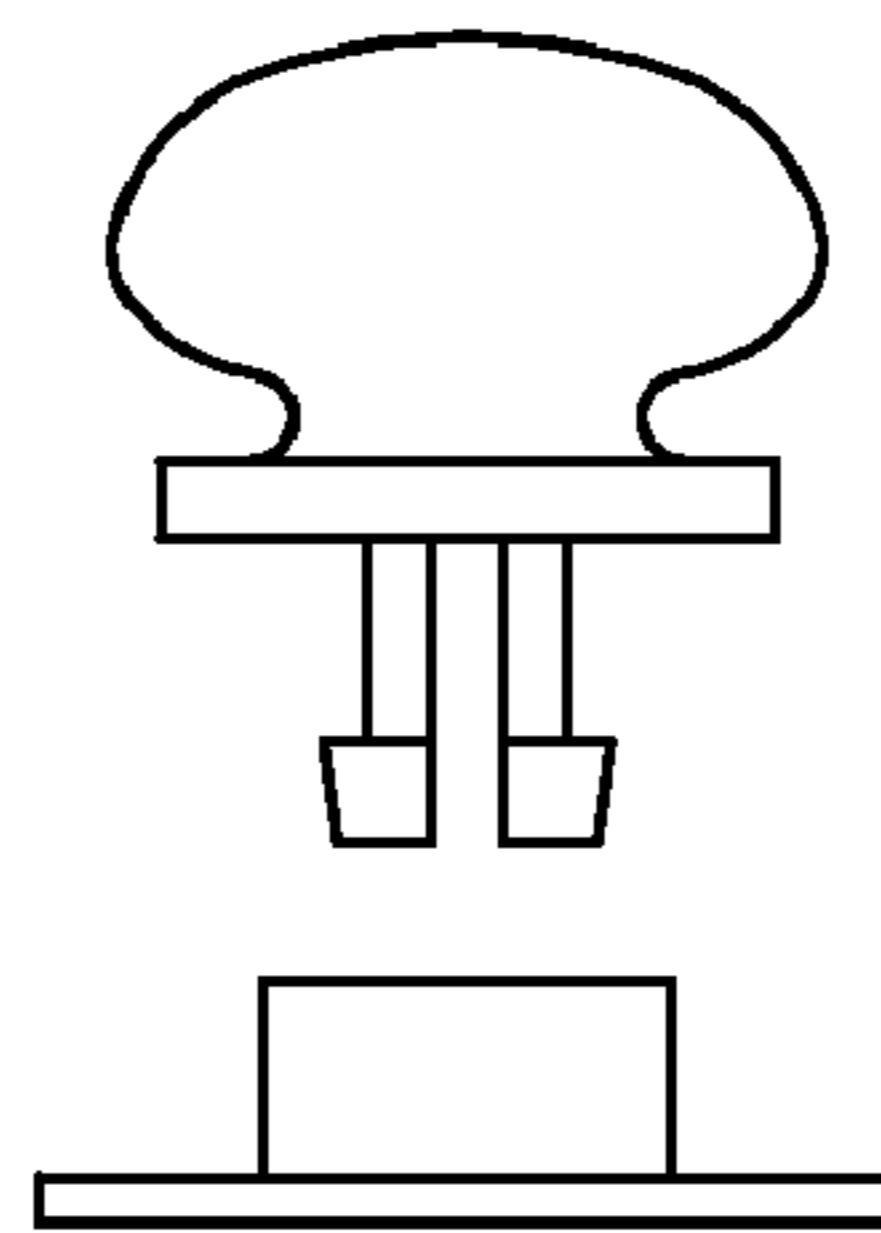


FIG. 4

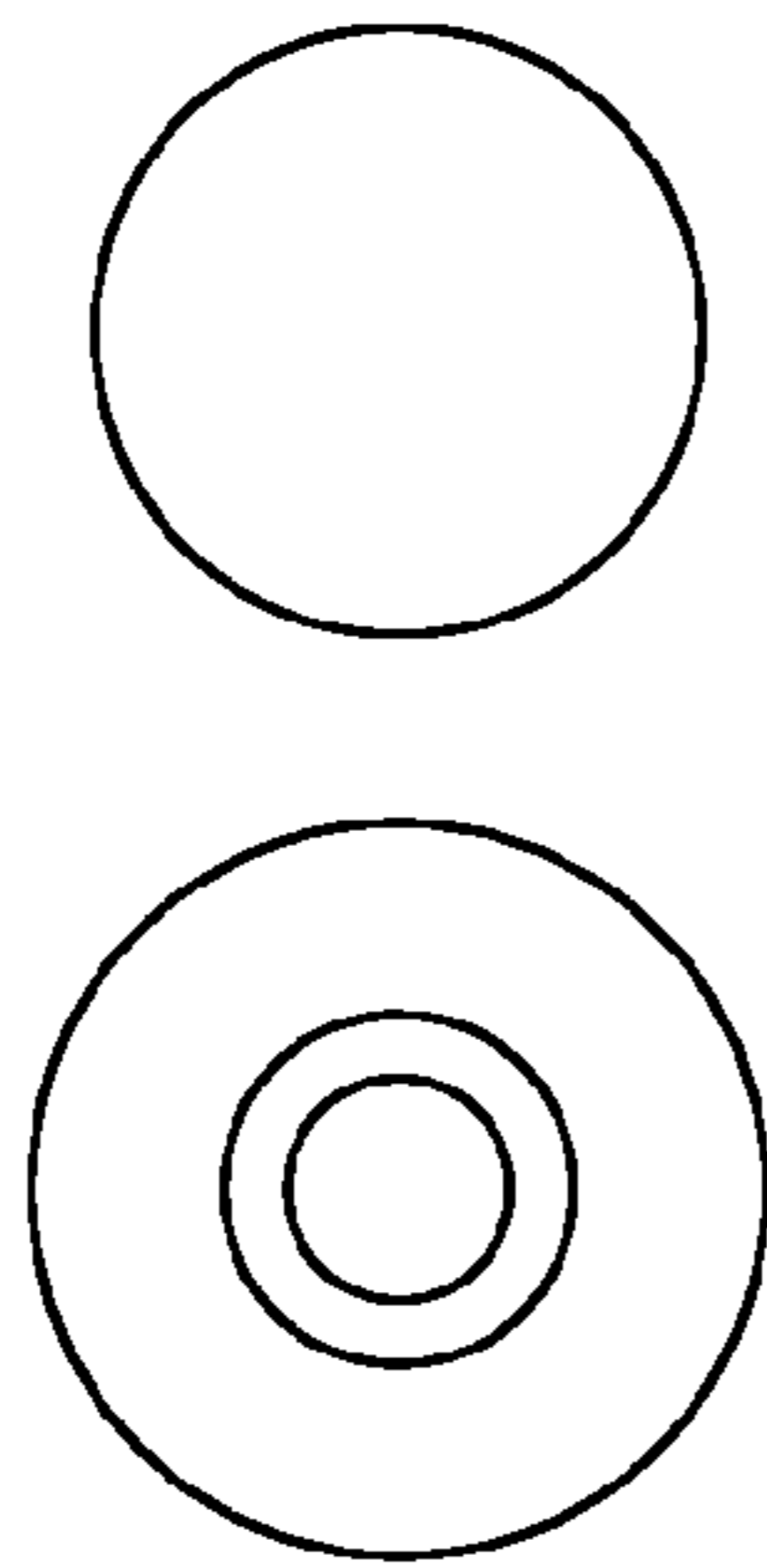


FIG. 5

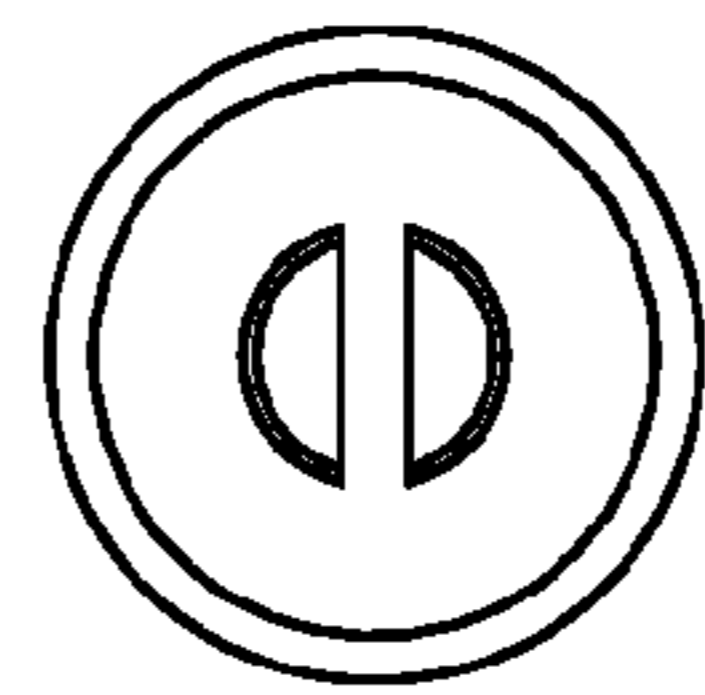


FIG. 6

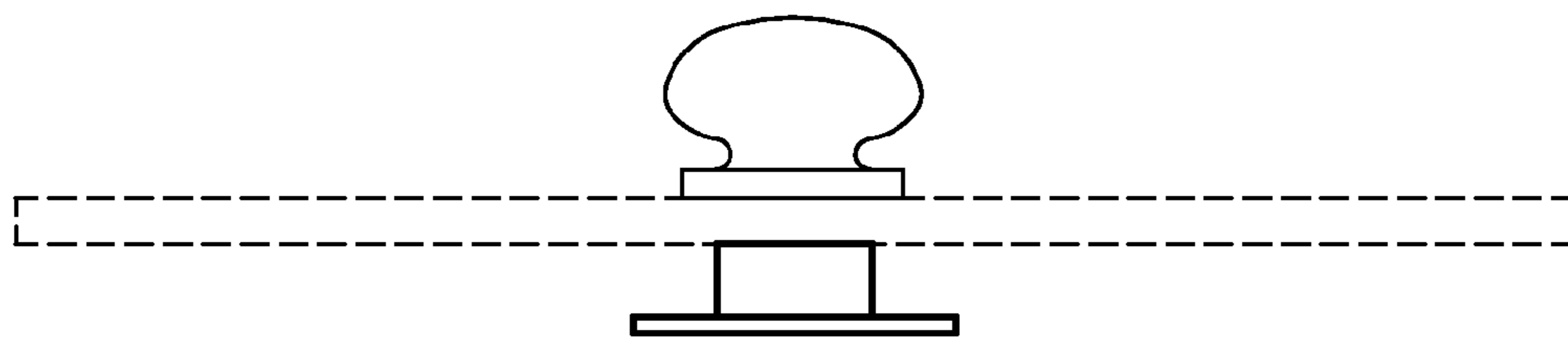


FIG. 7

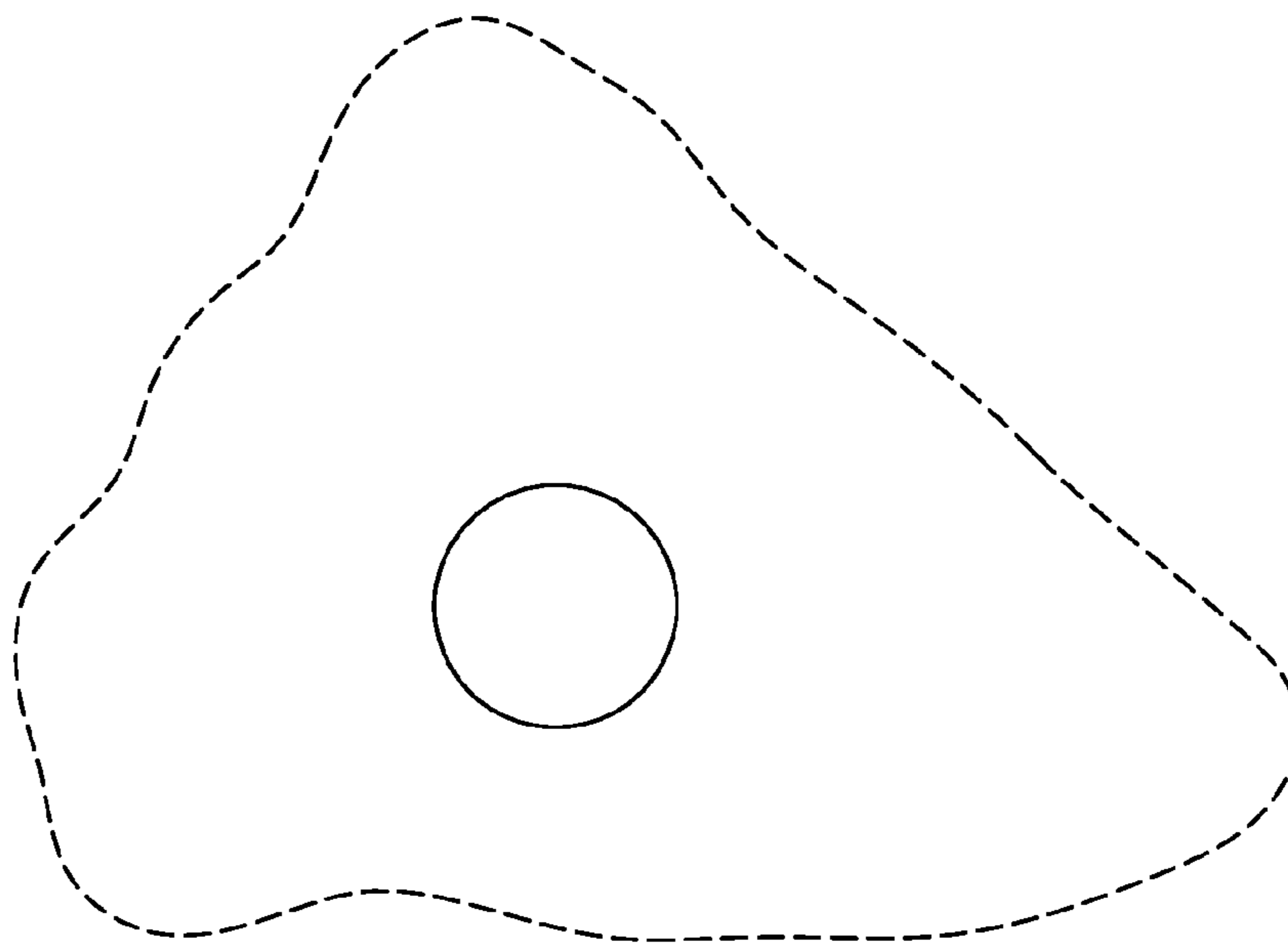


FIG. 8

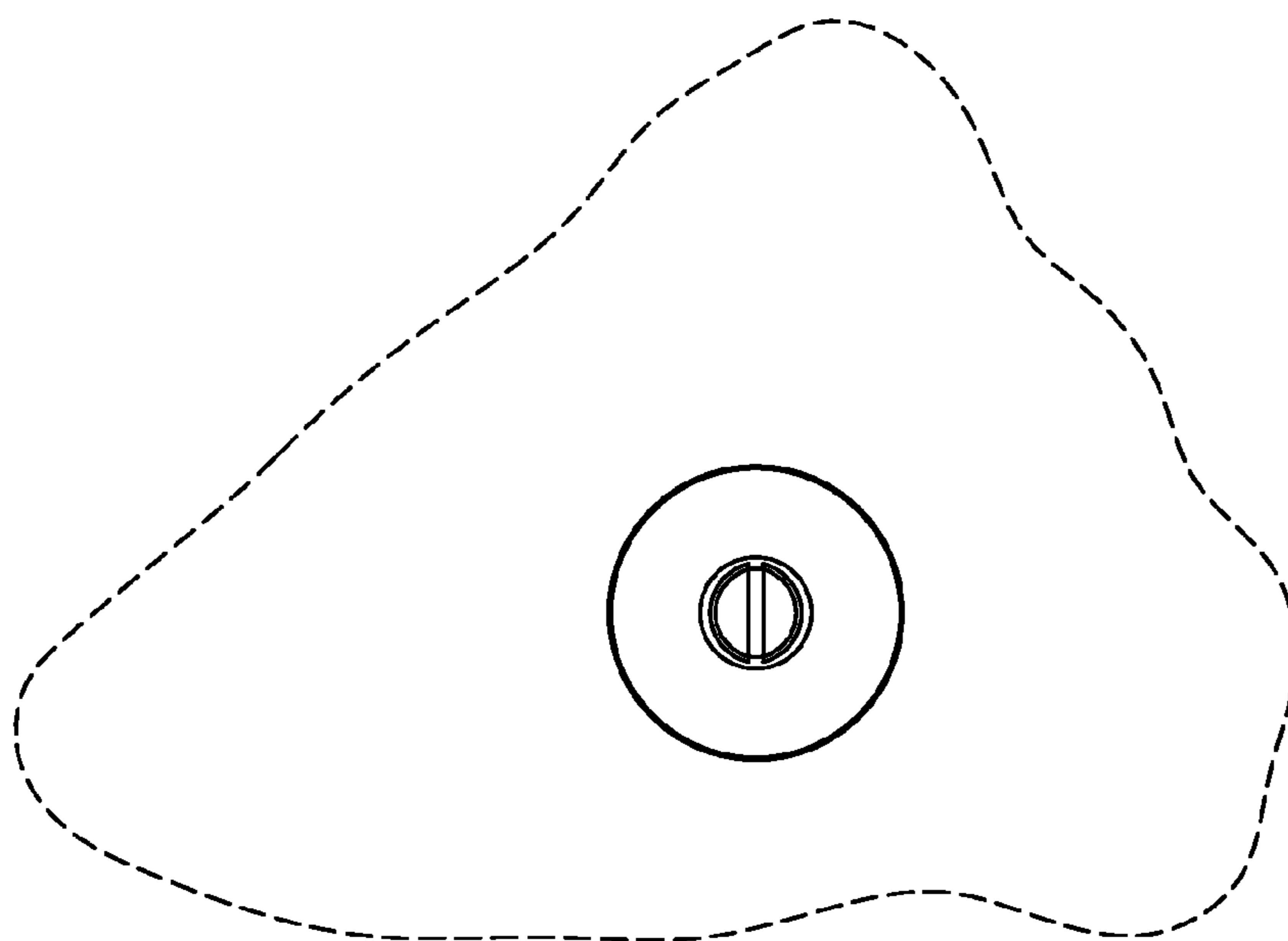


FIG. 9