



US00D592254S

(12) **United States Design Patent**
Schlegel et al.

(10) **Patent No.:** **US D592,254 S**

(45) **Date of Patent:** **** May 12, 2009**

(54) **CHILDREN'S RIDING TOY**

D454,608 S * 3/2002 Catelli D21/831
D455,810 S * 4/2002 Catelli D21/832

(75) Inventors: **Tom Schlegel**, Wheaton, IL (US); **Tim Seckel**, Streamwood, IL (US); **Mark Kurth**, Chicago, IL (US); **Mark Johnson**, Cary, IL (US)

OTHER PUBLICATIONS

Timewarptoy.com, Jan. 1, 2006, [online], [retrieved on Jan. 31, 2008], <URL: <http://web.archive.org/web/20060106112500/http://www.timewarptoy.com/inchworm.jpg>>.*

Timewarptoy.com, Oct. 27, 2005, [online], [retrieved on Jan. 31, 2008], <URL: <http://web.archive.org/web/20051027092956/http://www.timewarptoy.com/inch1.jpg>>.*

Feelingretro.com, 2005, [online], [retrieved on Jan. 31, 2008], <URL: <http://www.feelingretro.com/toys/Ride-On-Toys/inc-worm-2005.php>>.*

* cited by examiner

(73) Assignee: **Radio Flyer Inc.**, Chicago, IL (US)

(**) Term: **14 Years**

(21) Appl. No.: **29/285,279**

(22) Filed: **Mar. 26, 2007**

(51) **LOC (9) Cl.** **21-01**

(52) **U.S. Cl.** **D21/427**

(58) **Field of Classification Search** D21/412,
D21/414, 415, 419, 421, 423, 424, 426, 427,
D21/428, 650, 811, 814, 826-828; D8/300,
D8/303, 305, 313, 321, 10; D7/393, 394;
280/827, 828, 87.01, 87.021, 87.03, 87.051,
280/47.4, 7.15, 292, 293

See application file for complete search history.

Primary Examiner—Holly H Baynham

Assistant Examiner—Cynthia M Chin

(74) *Attorney, Agent, or Firm*—DLA Piper LLP (US); R. Blake Johnston

(57) **CLAIM**

The ornamental design for a children's riding toy, as shown.

DESCRIPTION

FIG. 1 is a perspective view of the children's riding toy;

FIG. 2 is a front elevational view of the children's riding toy;

FIG. 3 is a rear elevational view of the children's riding toy;

FIG. 4 is a left side elevational view of the children's riding toy;

FIG. 5 is a right side elevational view of the children's riding toy;

FIG. 6 is a top plan view of the children's riding toy; and,

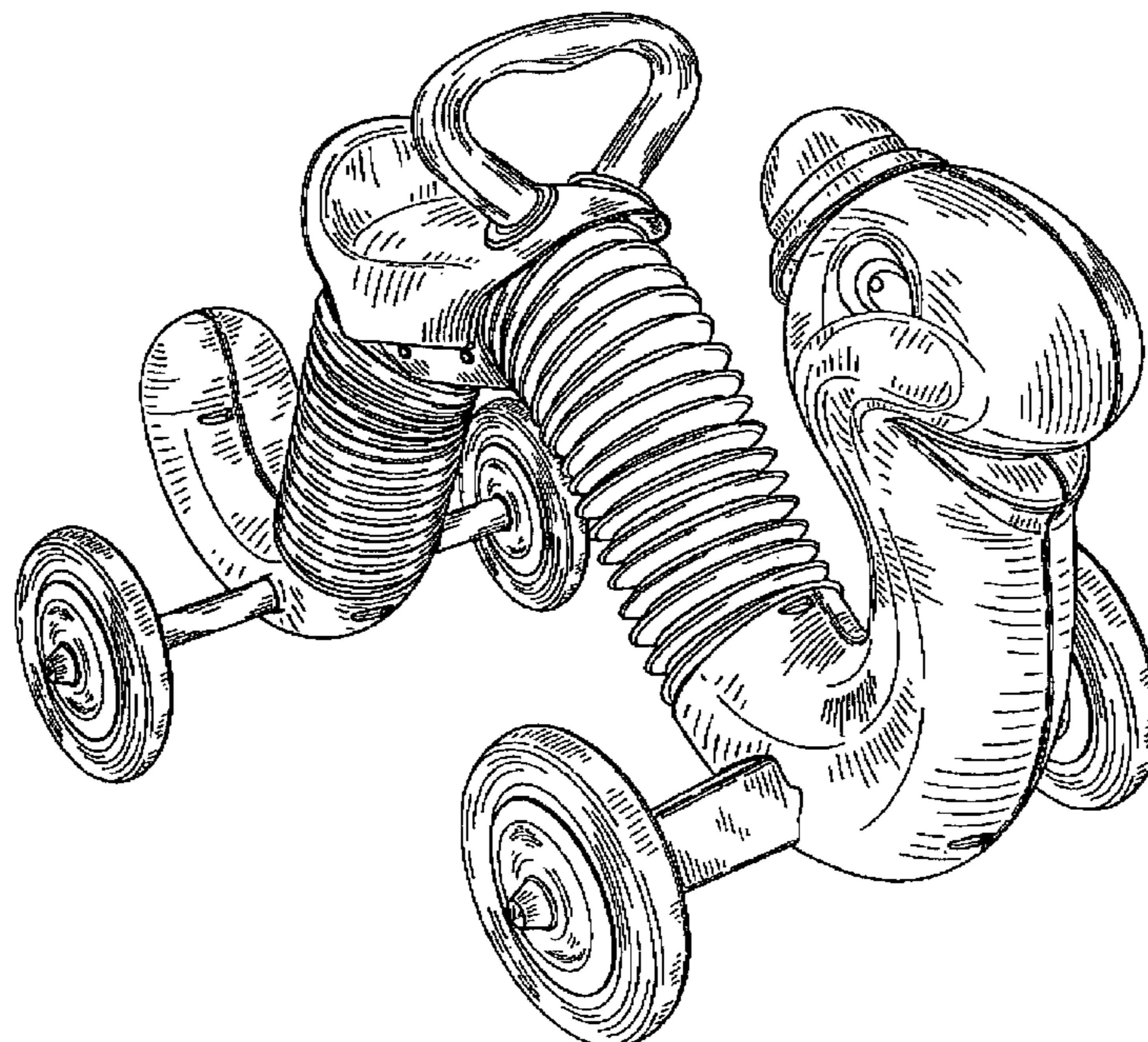
FIG. 7 is a bottom plan view of the children's riding toy.

(56) **References Cited**

U.S. PATENT DOCUMENTS

D150,467 S *	8/1948	Sebel	D21/428
D198,576 S *	7/1964	Trevena	D21/415
D224,124 S *	7/1972	Morrison	D21/428
D235,459 S *	6/1975	Terzian	D21/428
D237,519 S *	11/1975	Ptaszek	D21/428
D265,106 S *	6/1982	Shiraishi	D21/428
D270,848 S *	10/1983	Echterling	D21/428
D283,905 S *	5/1986	Kane et al.	D21/428
D330,403 S *	10/1992	Lambert	D21/830
5,816,592 A *	10/1998	Horton et al.	280/87.041
6,302,415 B1 *	10/2001	Wang et al.	280/87.041

1 Claim, 6 Drawing Sheets



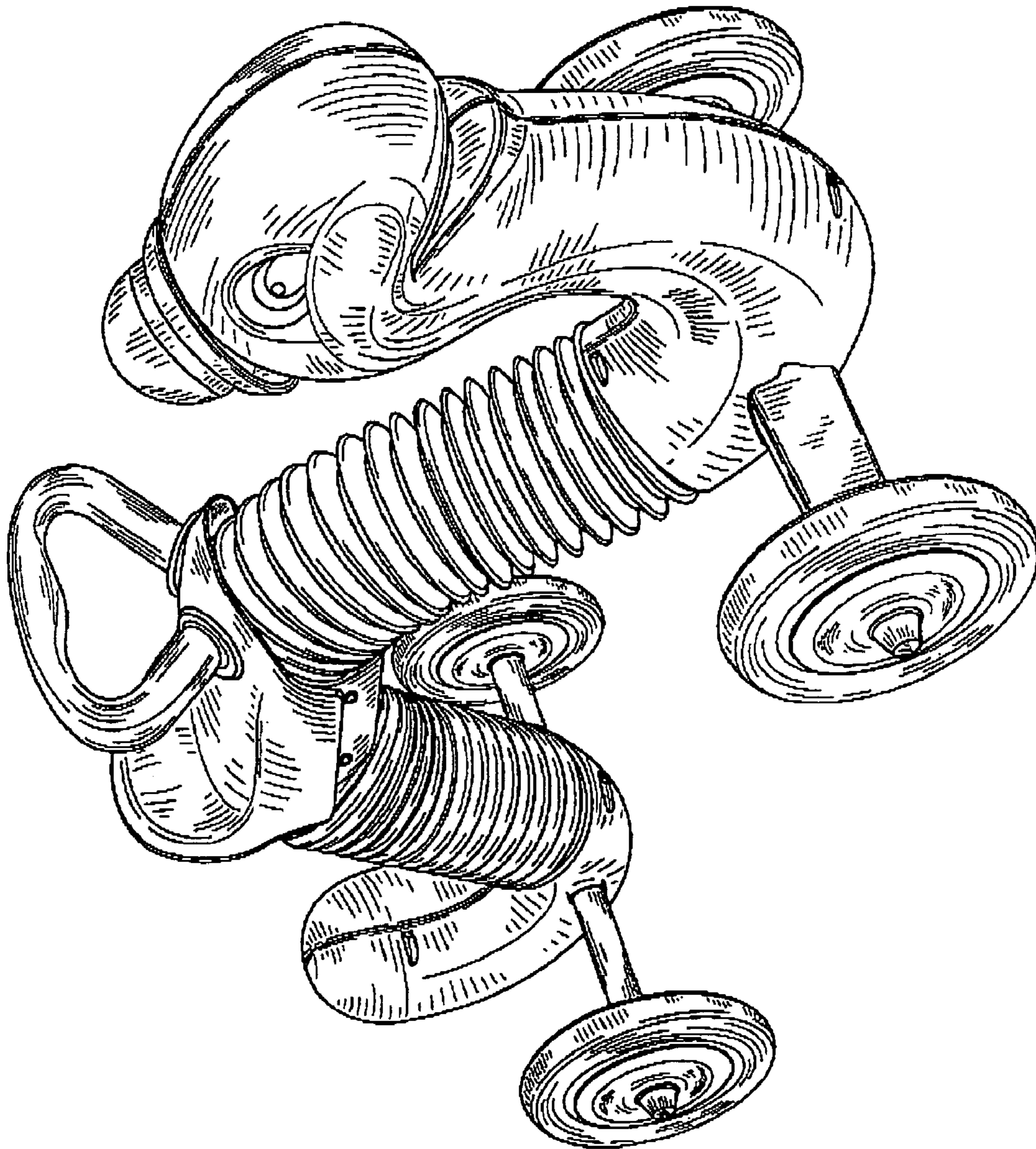


FIG. 1

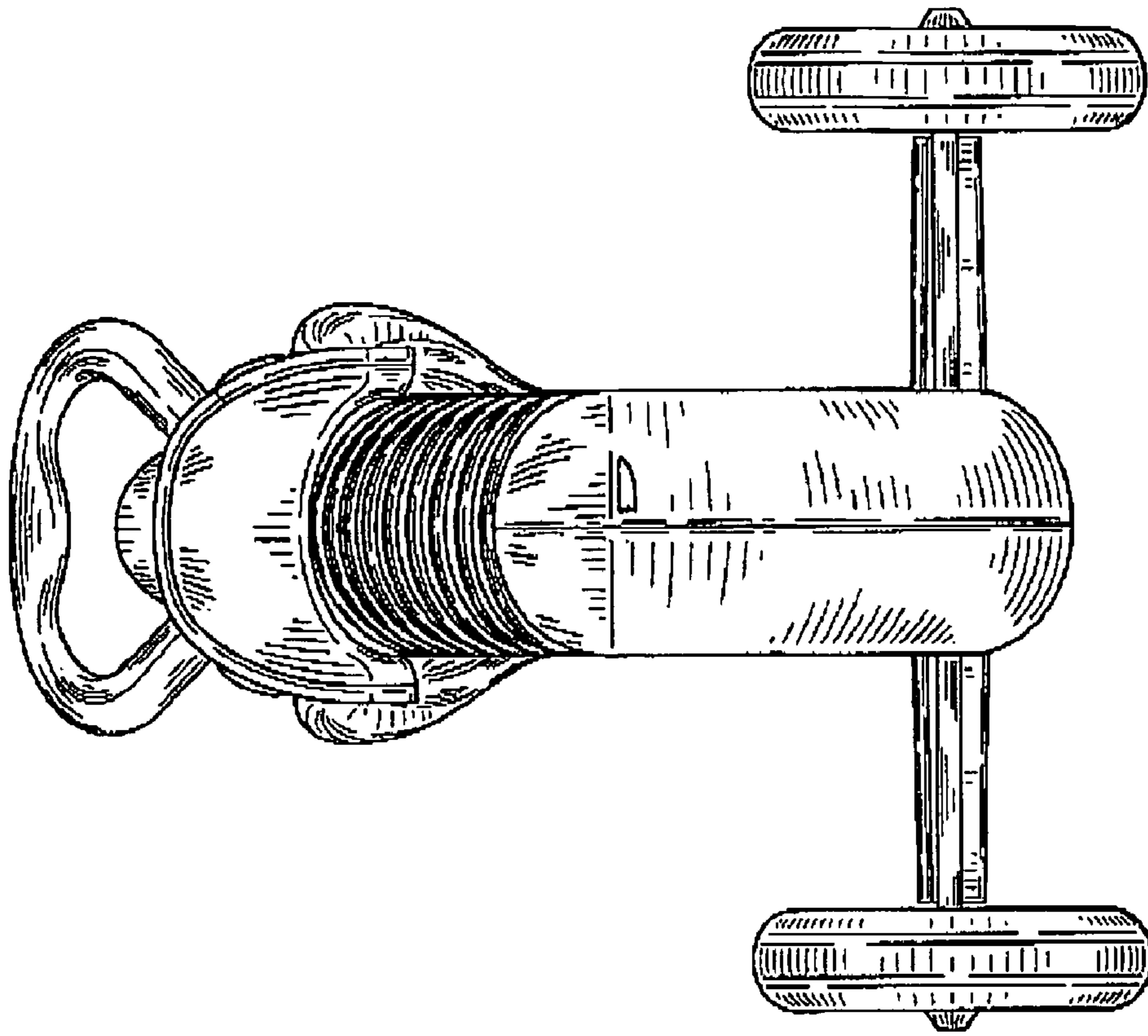


FIG. 3

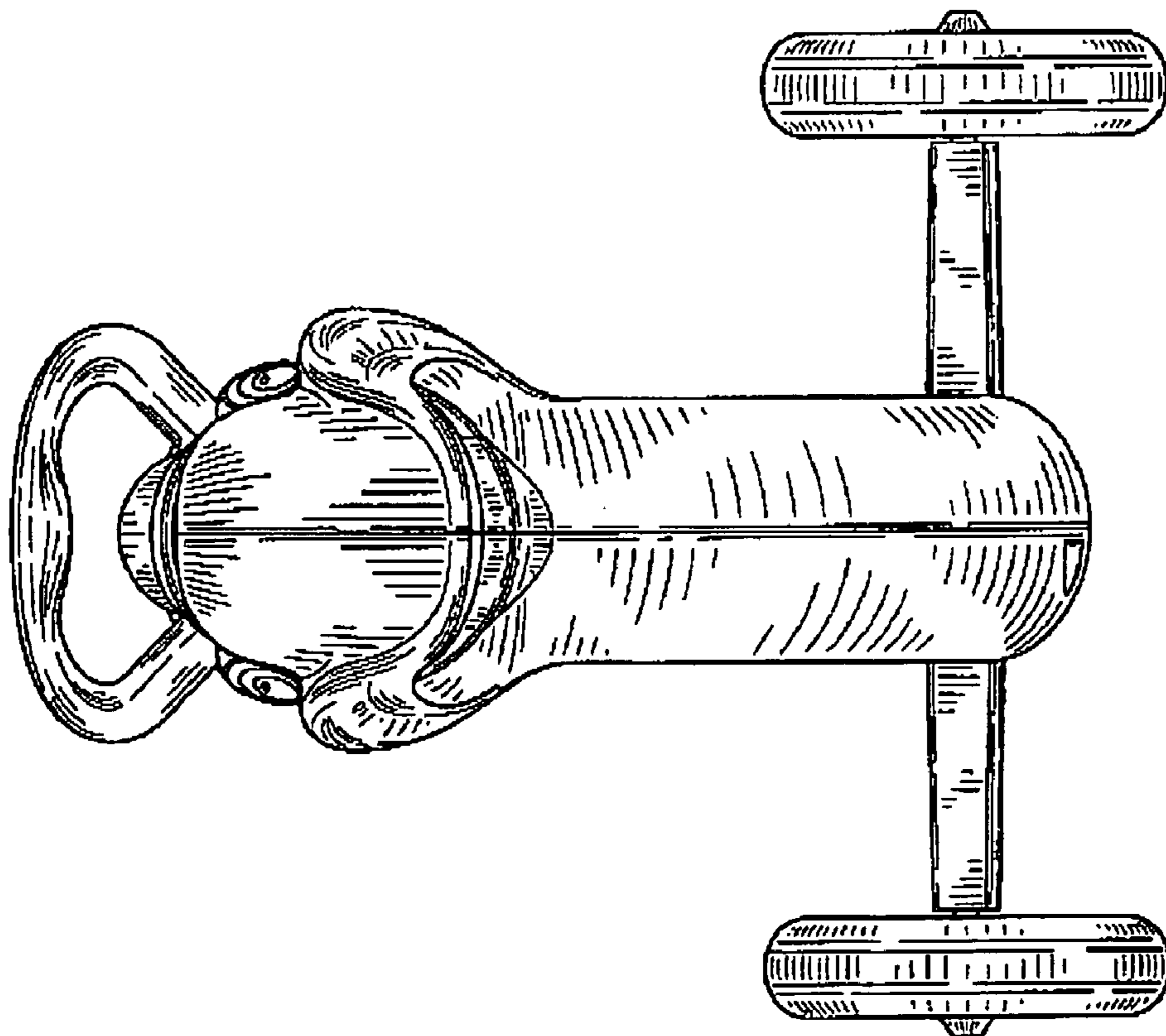


FIG. 2

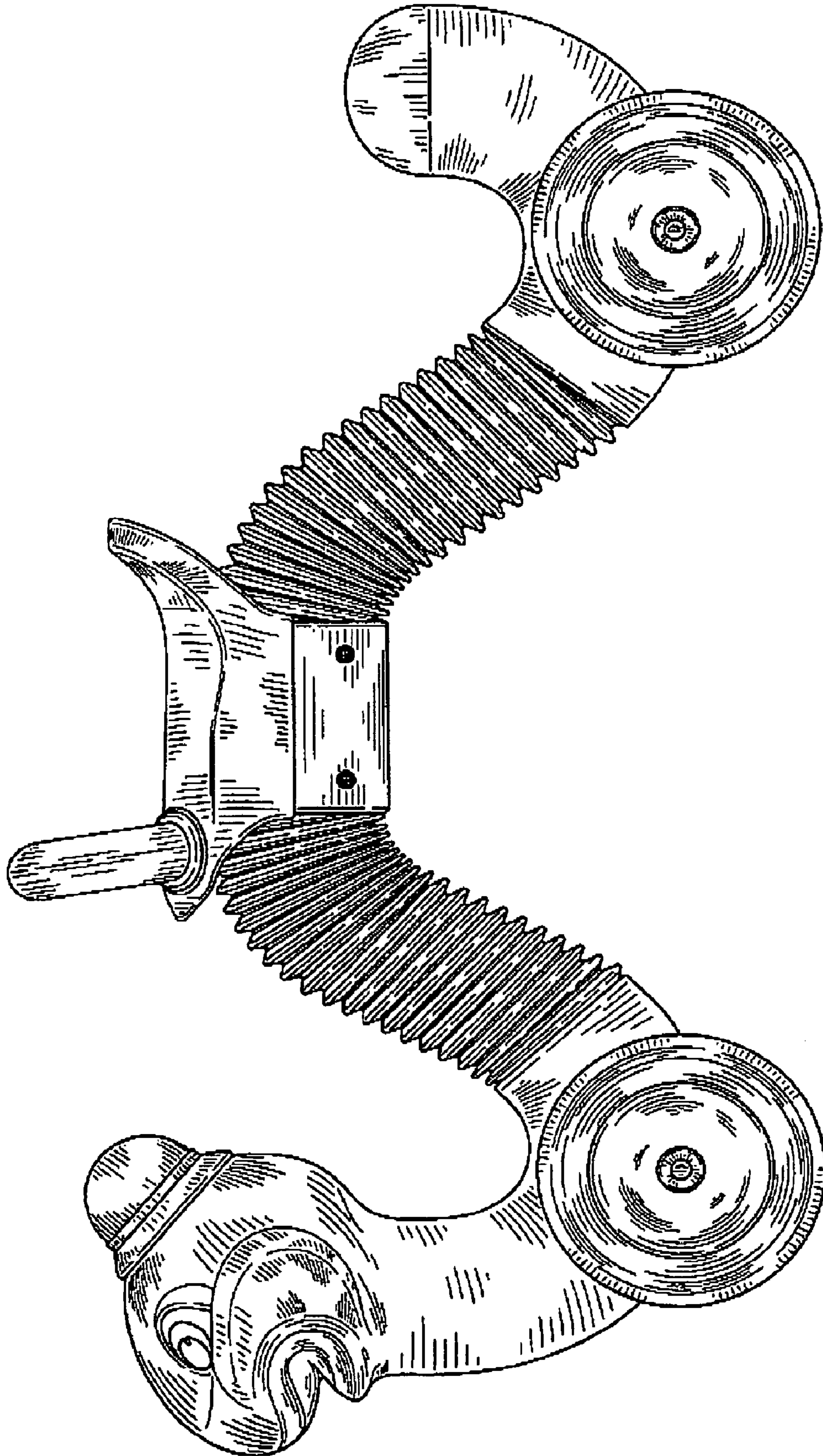


FIG. 4

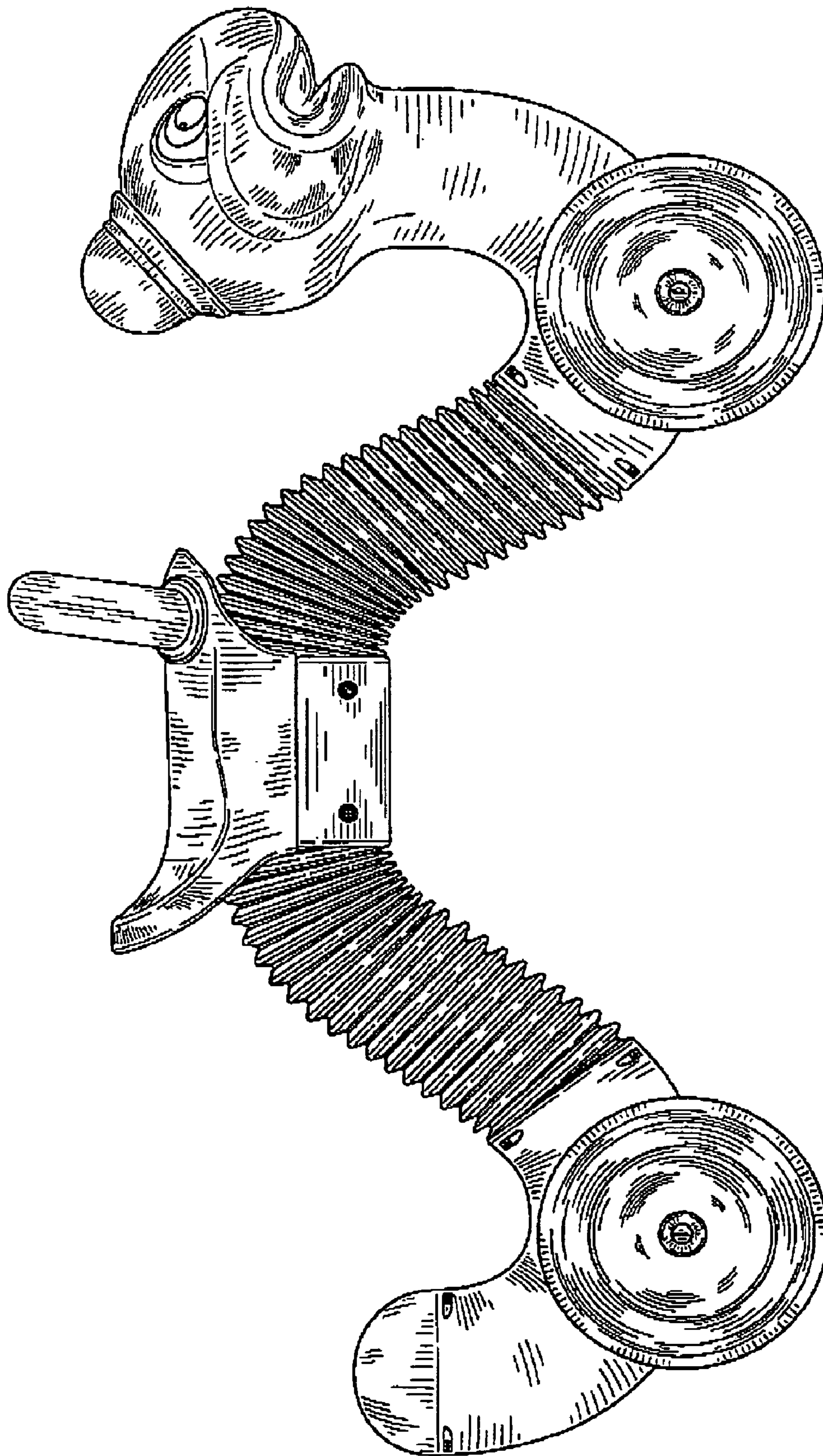


FIG. 5

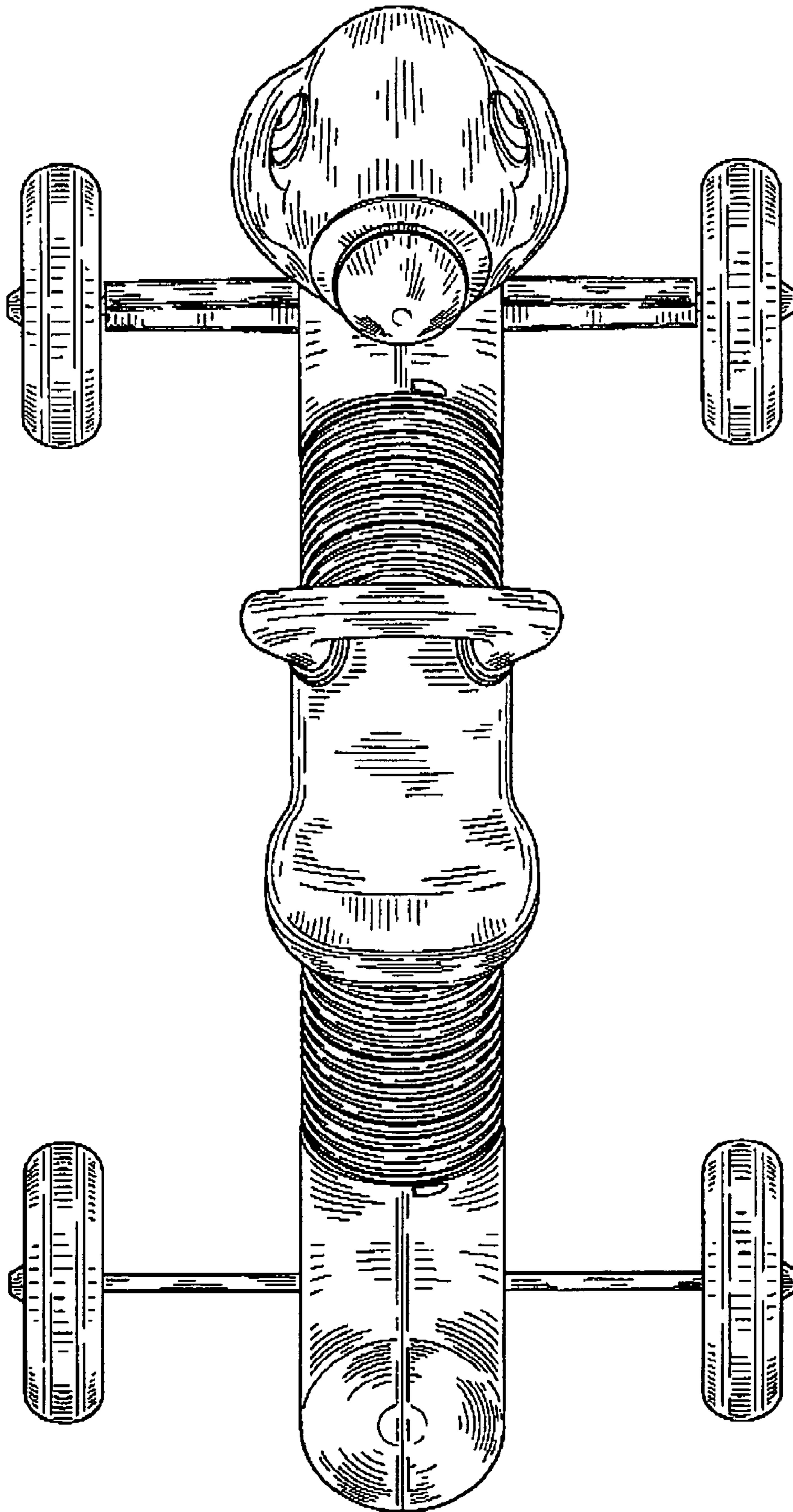


FIG. 6

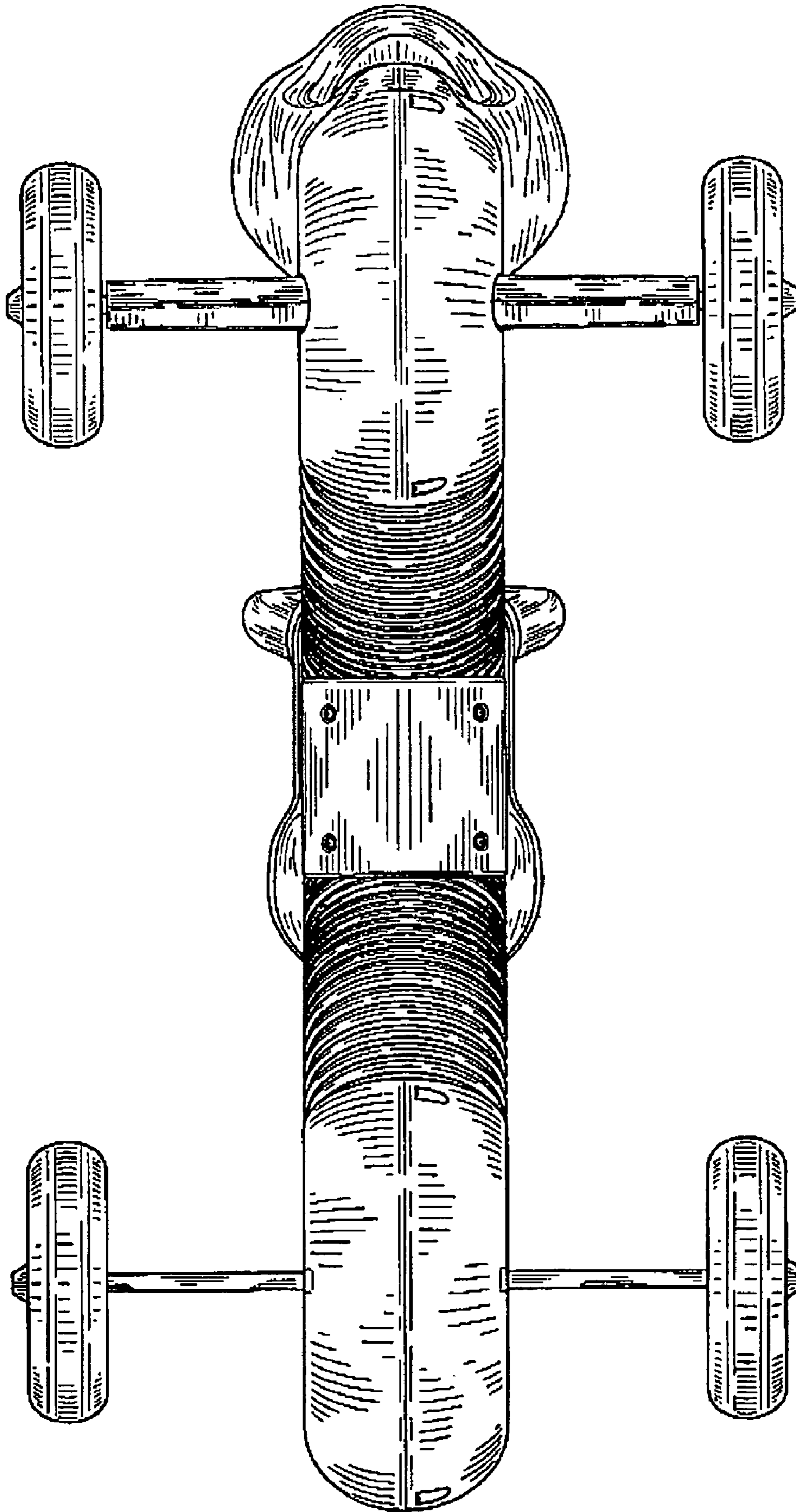


FIG. 7