



US00D592251S

(12) **United States Design Patent**  
**Goodman et al.**

(10) **Patent No.:** **US D592,251 S**  
(45) **Date of Patent:** **\*\* May 12, 2009**

(54) **WALL-MOUNT LETTER HOLDER**  
(75) Inventors: **Sheldon H. Goodman**, Solon, OH (US);  
**Justin J. Myers**, Strongsville, OH (US)  
(73) Assignee: **Spectrum Diversified Designs, Inc.**,  
Streetsboro, OH (US)

5,460,279 A \* 10/1995 Emery et al. .... 211/106  
5,477,967 A \* 12/1995 Voorhees et al. .... 211/55  
D389,353 S \* 1/1998 Patel ..... D6/525  
D452,533 S \* 12/2001 Goodman et al. .... D19/90  
D463,697 S \* 10/2002 Klein et al. .... D6/514  
D568,116 S \* 5/2008 Goodman et al. .... D7/600.4  
2003/0085188 A1\* 5/2003 Klein et al. .... 211/118

\* cited by examiner

(\*\*) Term: **14 Years**  
(21) Appl. No.: **29/278,741**  
(22) Filed: **Apr. 9, 2007**

*Primary Examiner*—Elizabeth A Albert  
*Assistant Examiner*—Karen E Eldridge Powers  
(74) *Attorney, Agent, or Firm*—Pearne & Gordon LLP

(51) **LOC (9) Cl.** ..... **19-02**  
(52) **U.S. Cl.** ..... **D19/90**  
(58) **Field of Classification Search** ..... D3/306;  
D6/512, 513, 514, 525, 566, 569; D7/600.1,  
D7/600.3, 600.4, 701, 704; D19/75, 78,  
D19/86, 90, 91, 100; 211/90.03, 106, 112,  
211/126.8, 126.9, 126.11, 126.12, 126.13,  
211/181.1; 248/302, 441.1, 450, 465.1  
See application file for complete search history.

(57) **CLAIM**

The ornamental design for a wall-mount letter holder, as shown and described.

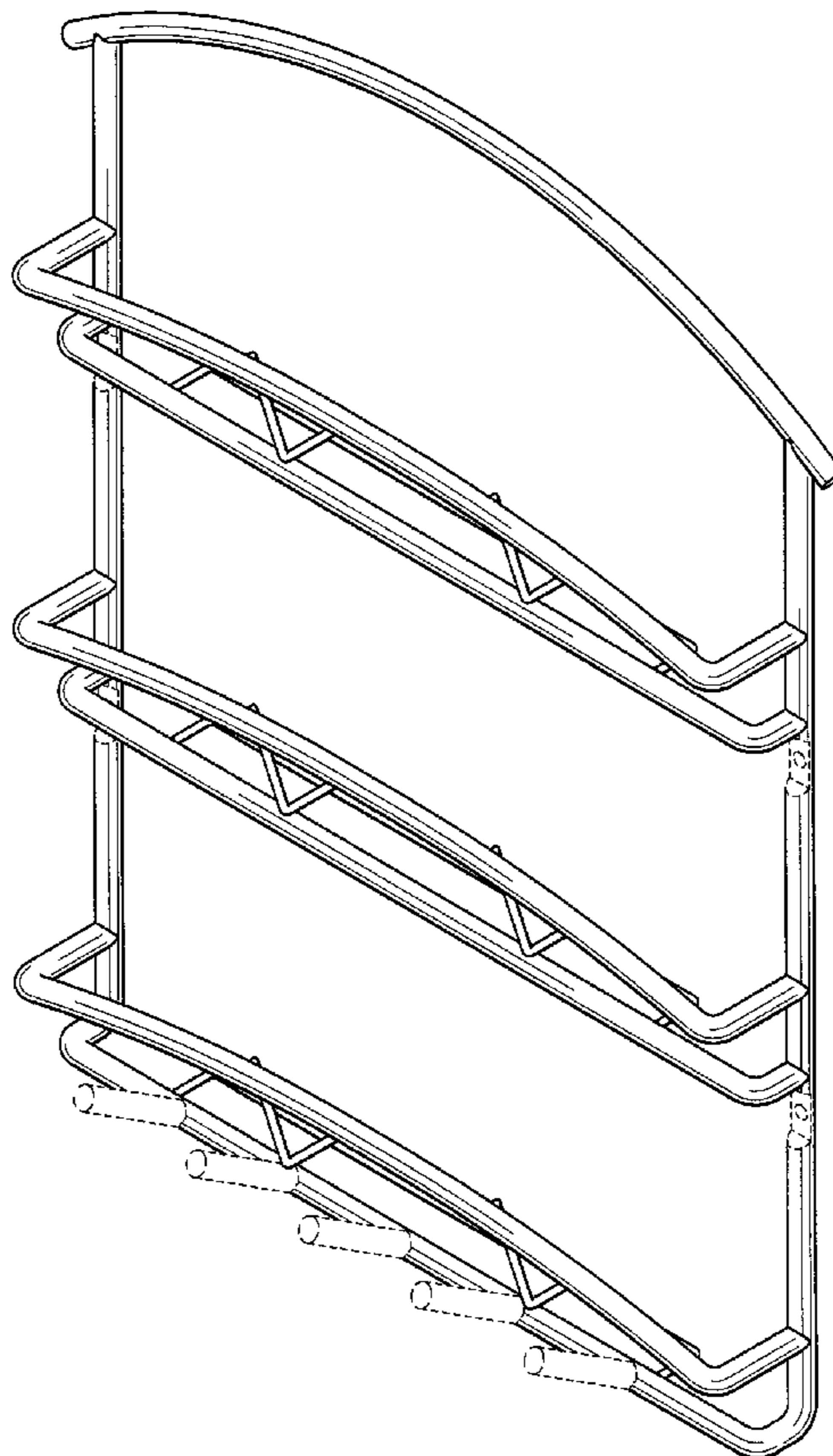
**DESCRIPTION**

FIG. 1 is a perspective view of a wall-mount letter holder, showing our new design;  
FIG. 2 is a front elevational view thereof; and,  
FIG. 3 is a side elevational view thereof.

The broken line showing in the drawings of five cylindrical segments on the bottom-most horizontal holder, as well as the screw-hole indentations on the vertical members, illustrate environmental matter and form no part of the claimed design.

(56) **References Cited**  
U.S. PATENT DOCUMENTS  
2,903,137 A \* 9/1959 Brown ..... 211/26  
3,115,252 A \* 12/1963 Scical ..... 211/55  
D220,438 S \* 4/1971 Gross ..... D6/566

**1 Claim, 2 Drawing Sheets**



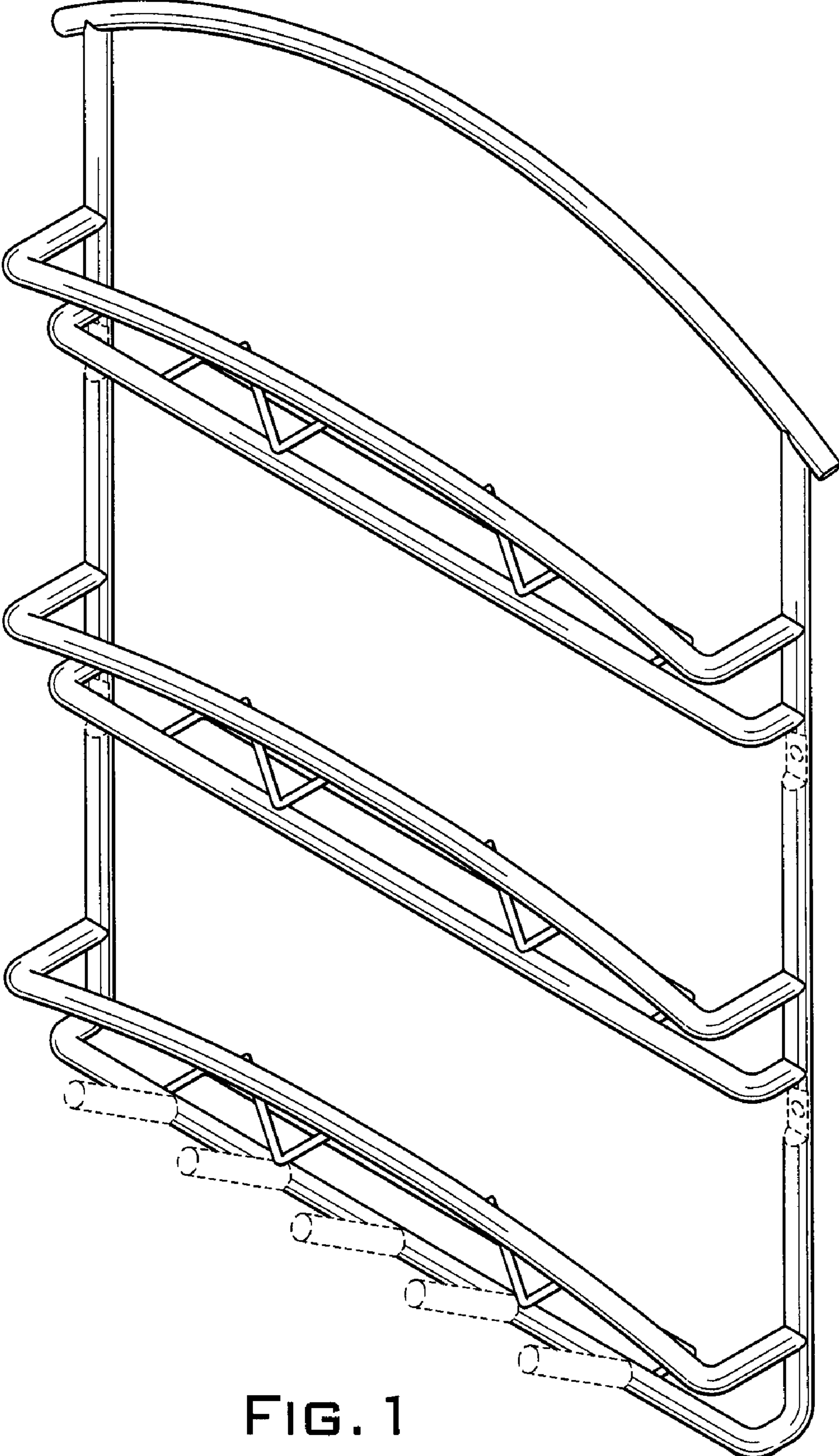


FIG. 1

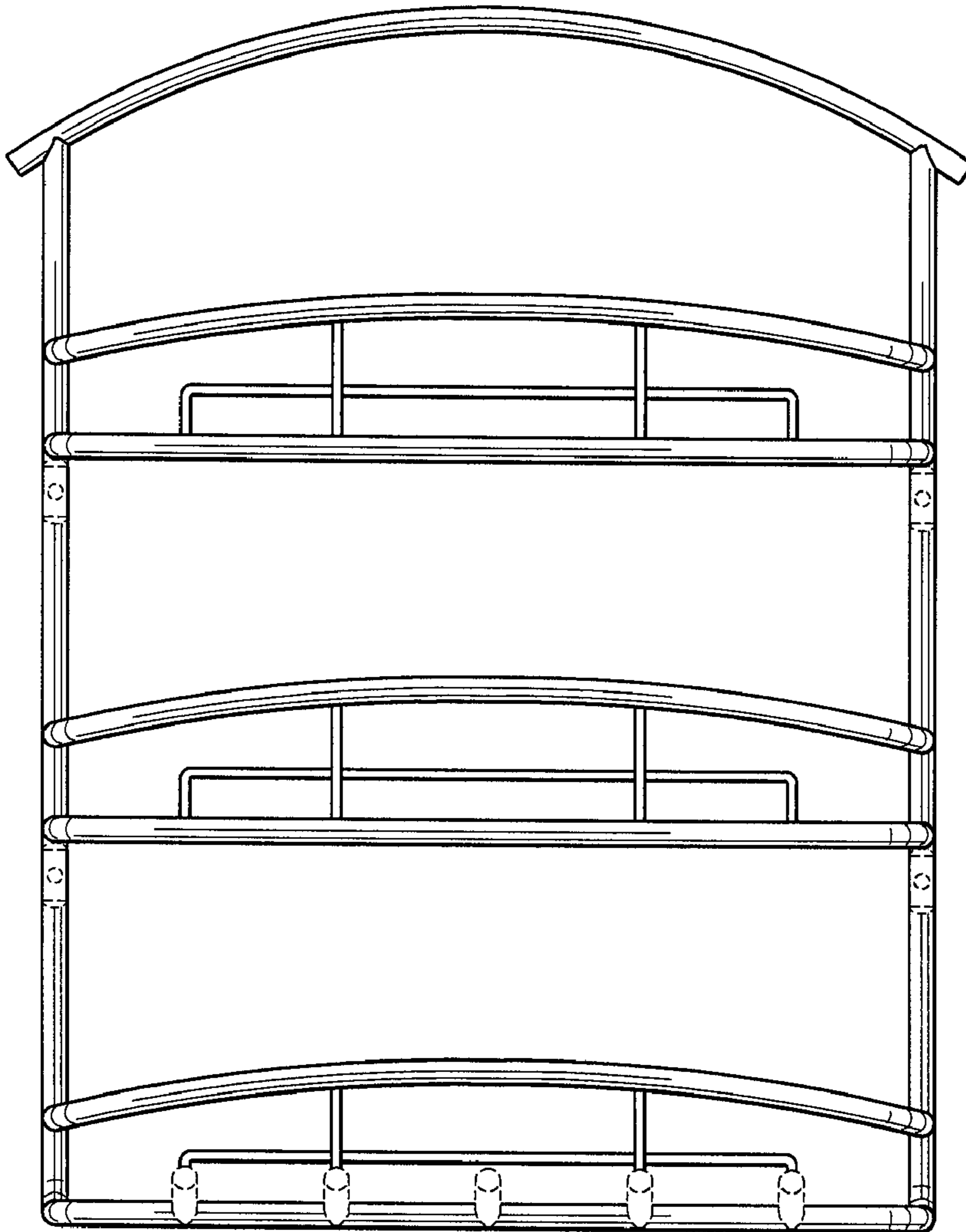


FIG. 2

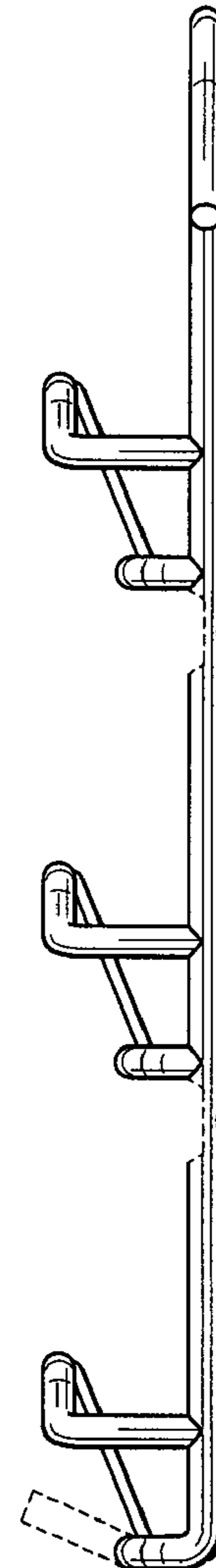


FIG. 3