



US00D592250S

(12) **United States Design Patent**  
**Cunningham et al.**

(10) **Patent No.:** **US D592,250 S**

(45) **Date of Patent:** **\*\* May 12, 2009**

(54) **SHEET PUNCH**

(75) Inventors: **Christopher H. Cunningham**,  
Mundelein, IL (US); **Shane A. Byler**,  
Mableton, GA (US); **Malcolm A.**  
**Fontier**, Atlanta, GA (US); **Eric W.**  
**Nichols**, Cambridge, MA (US)

(73) Assignee: **ACCO Brands USA LLC**, Lincolnshire,  
IL (US)

(\*\*) Term: **14 Years**

(21) Appl. No.: **29/299,089**

(22) Filed: **Dec. 19, 2007**

(51) **LOC (9) Cl.** ..... **19-02**

(52) **U.S. Cl.** ..... **D19/72**

(58) **Field of Classification Search** ..... D8/98;  
D19/72; 83/167, 582, 588, 613, 618, 620,  
83/633, 684, 686, 821

See application file for complete search history.

(56) **References Cited**

**U.S. PATENT DOCUMENTS**

2,481,883	A *	9/1949	Semler	83/560
4,166,404	A *	9/1979	Almog	83/167
4,656,907	A *	4/1987	Hymmen	83/571
5,778,750	A *	7/1998	Drzewiecki et al.	83/628
6,032,566	A	3/2000	Evans et al.	
D423,039	S	4/2000	Cox	
6,109,155	A *	8/2000	Huang	83/628
D434,443	S *	11/2000	Mori et al.	D19/72
D493,343	S *	7/2004	Chen	D8/50
6,786,395	B1 *	9/2004	Lin	234/98

6,799,498	B2 *	10/2004	Spiel	83/687
D541,867	S *	5/2007	Kent et al.	D19/72
D542,848	S *	5/2007	Kent et al.	D19/72
D564,593	S *	3/2008	Kent et al.	D19/72
2007/0266836	A1 *	11/2007	Marks	83/684

**OTHER PUBLICATIONS**

ACCO Brands, Inc., Fact Book, Feb. 1, 2001, pp. 203, 204.  
ACCO Brands, Inc., Fact Book, Feb. 1, 2003, pp. 126, 127.  
ACCO Brands, Inc., Fact Book, Feb. 1, 2005, pp. 130, 131.

\* cited by examiner

*Primary Examiner*—Elizabeth A Albert

(74) *Attorney, Agent, or Firm*—Michael Best & Friedrich  
LLP

(57) **CLAIM**

We claim the ornamental design for a sheet punch, as shown  
and described.

**DESCRIPTION**

FIG. 1 is a perspective view of a sheet punch embodying the  
present invention.

FIG. 2 is a right side view of the sheet punch.

FIG. 3 is a left side view of the sheet punch.

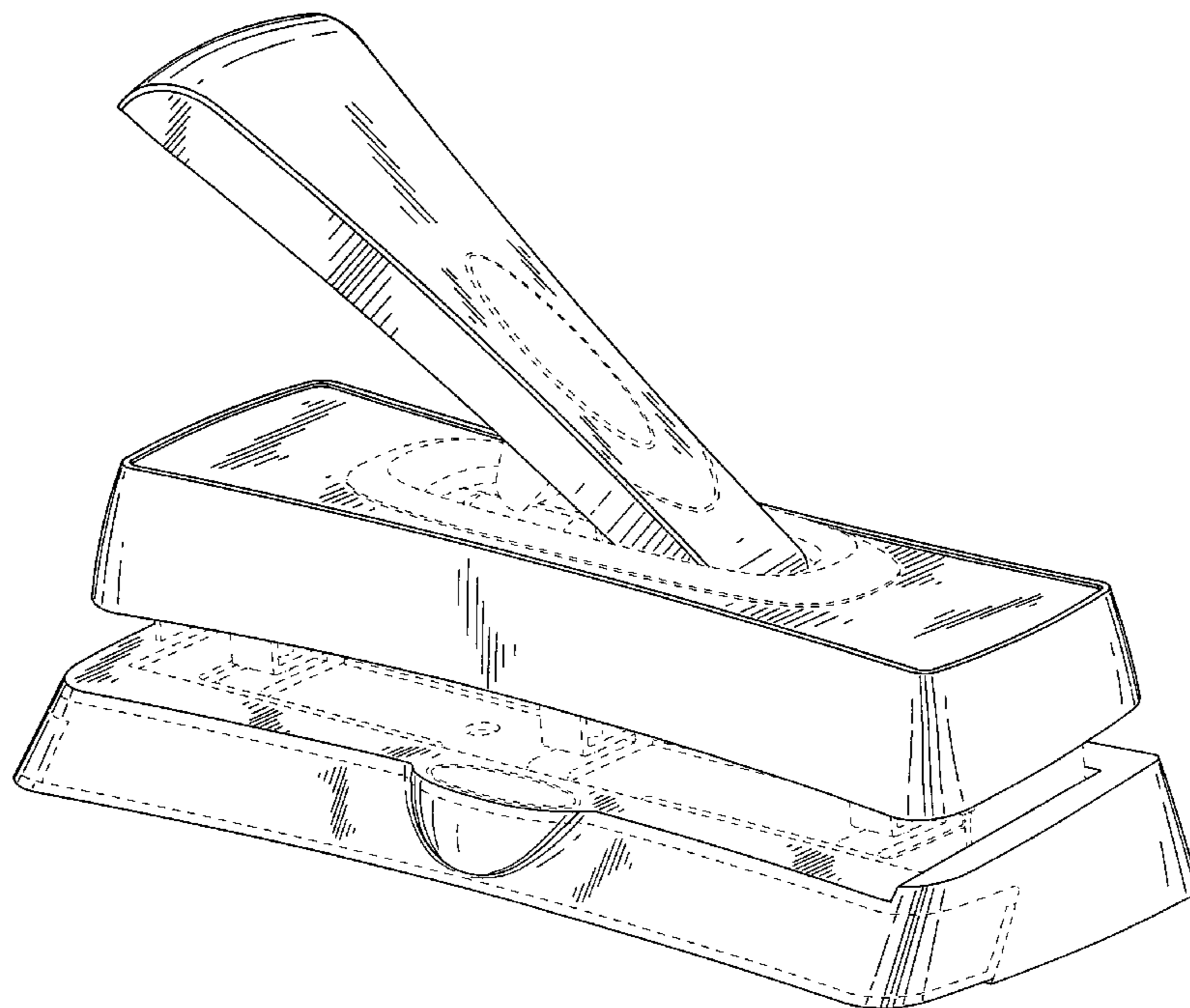
FIG. 4 is a front view of the sheet punch.

FIG. 5 is a rear view of the sheet punch; and,

FIG. 6 is a top view of the sheet punch.

The portions of the sheet punch shown in broken lines in  
FIGS. 1–6 are included for the purpose of illustrating envi-  
ronment and form no part of the claimed design.

**1 Claim, 5 Drawing Sheets**



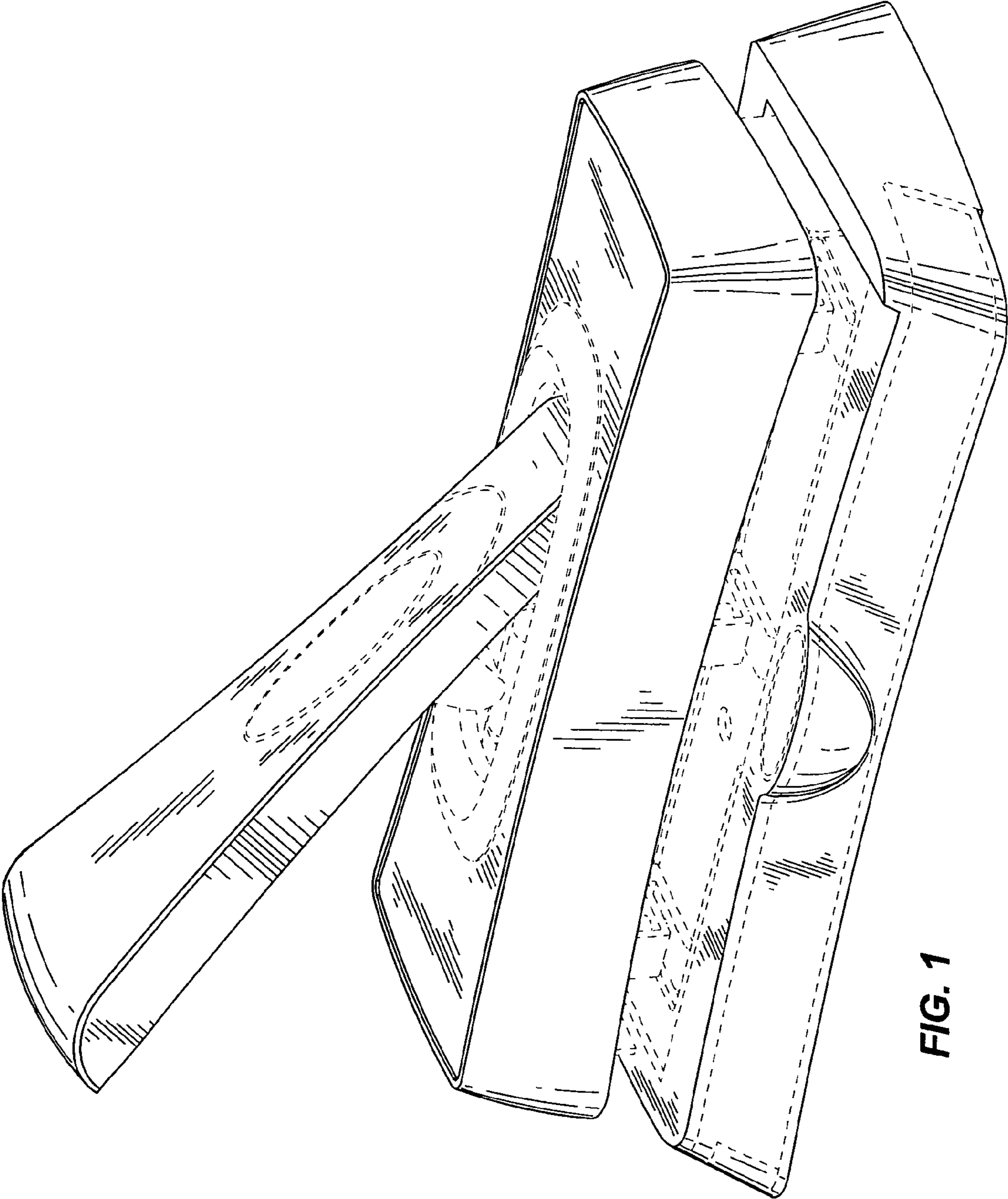


FIG. 1

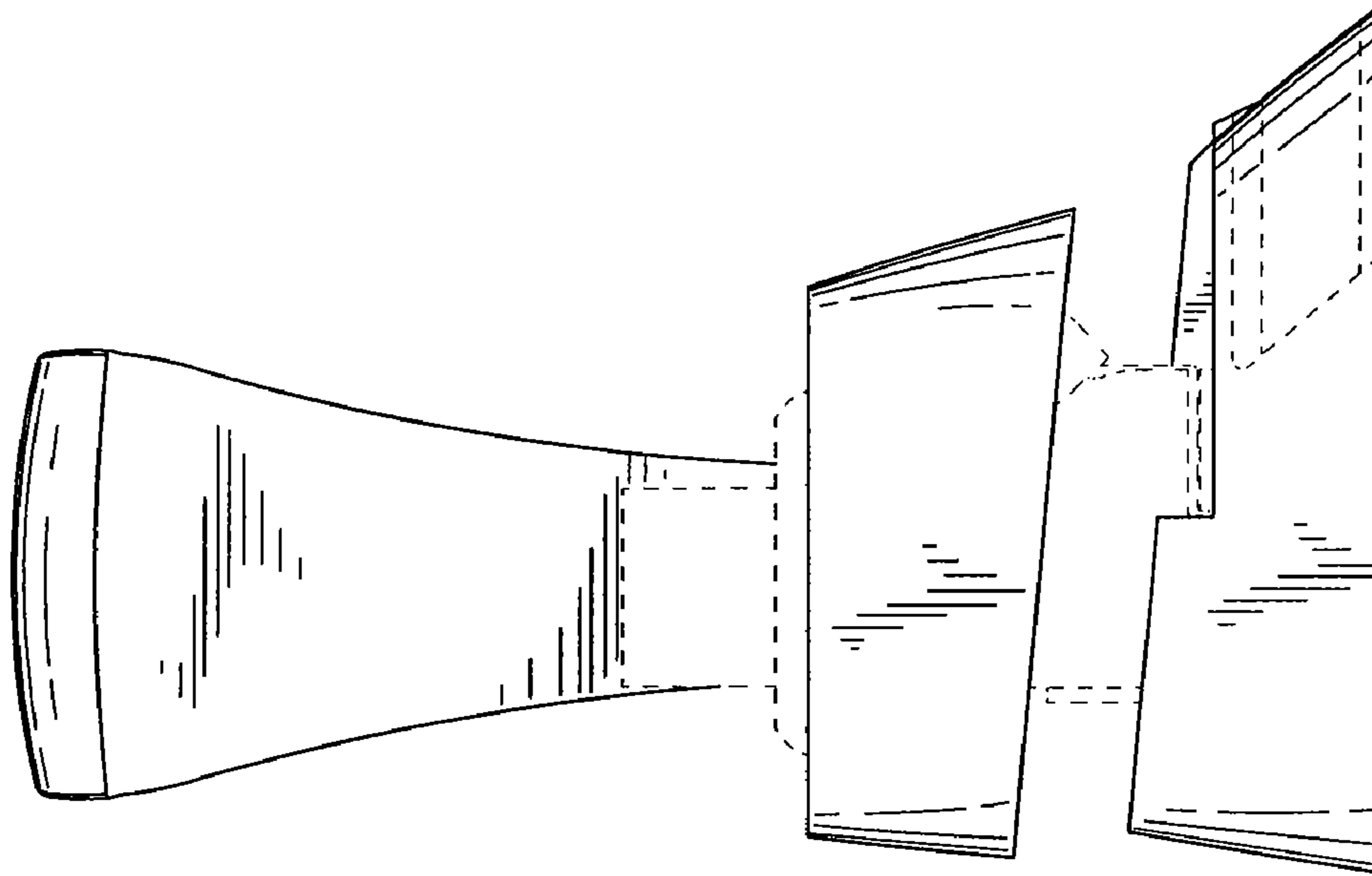


FIG. 2

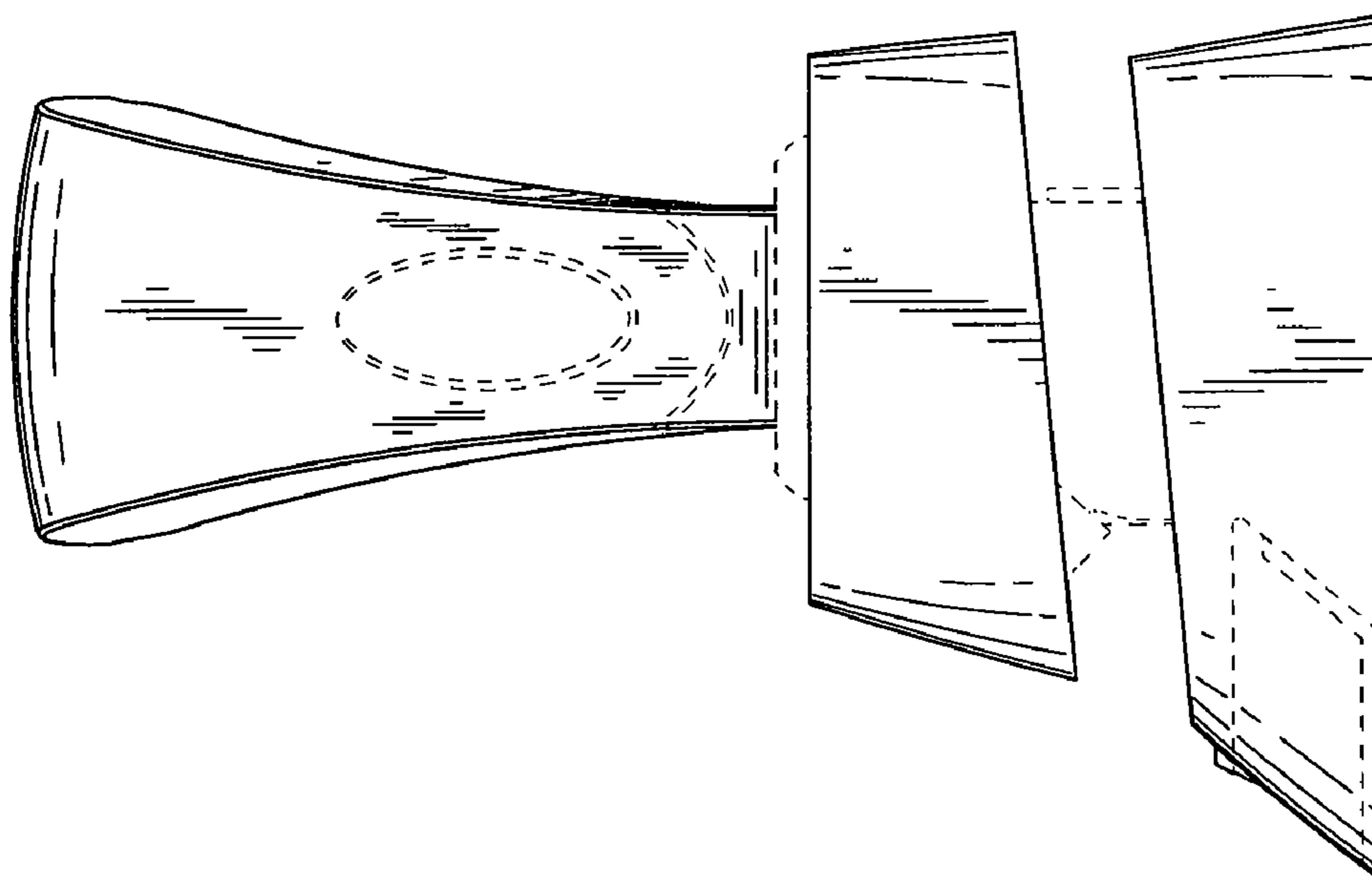


FIG. 3

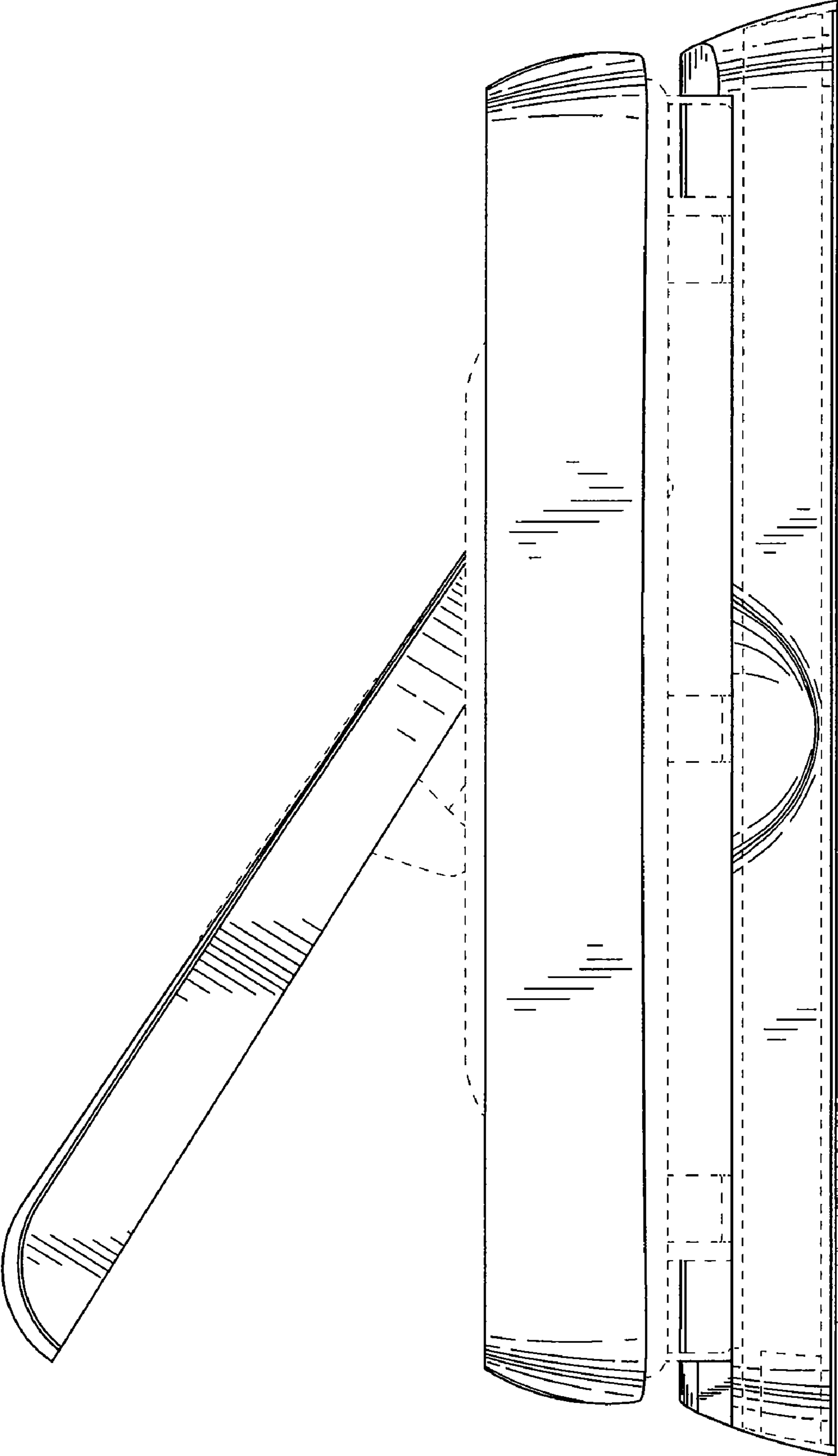


FIG. 4

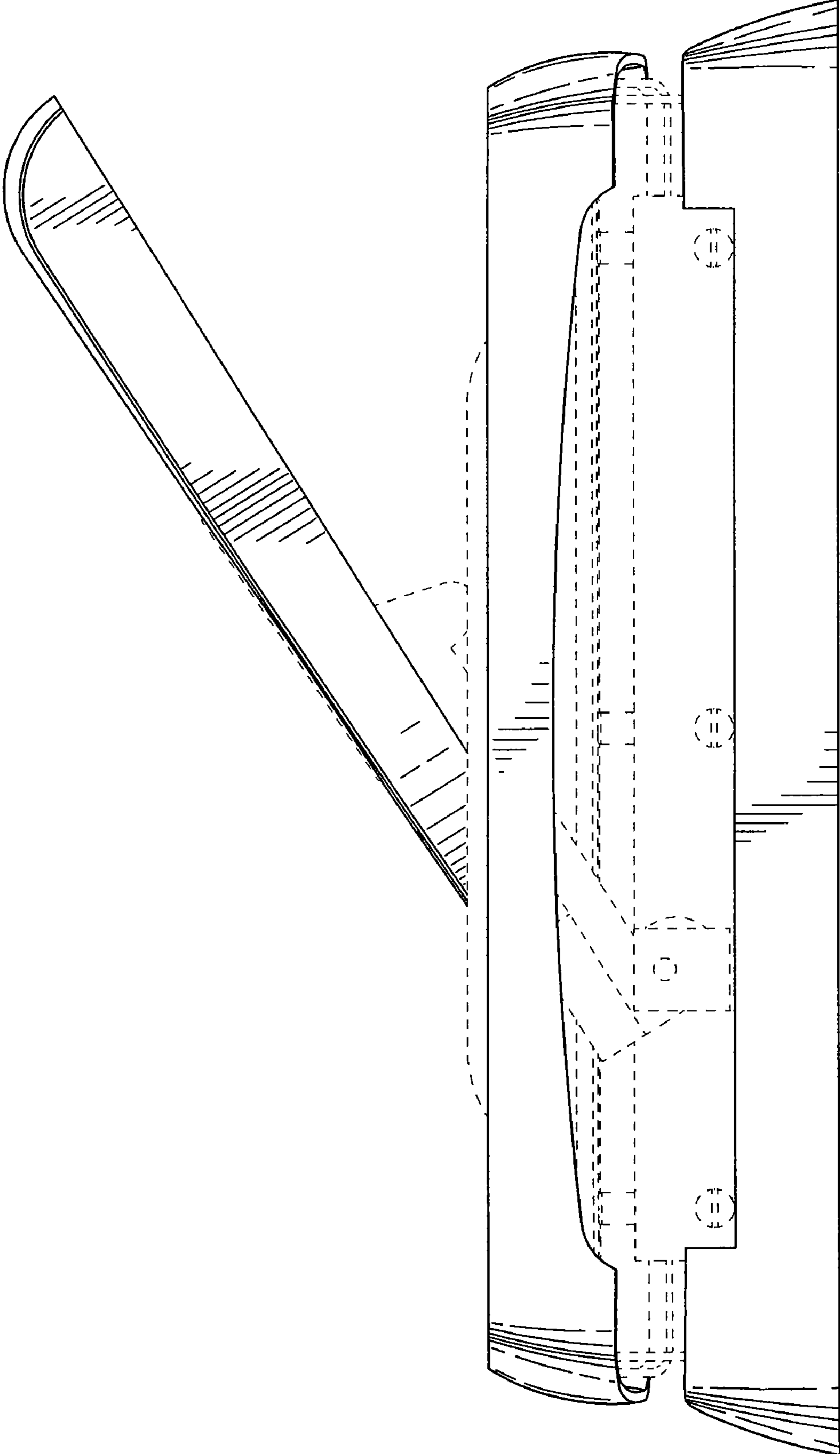


FIG. 5

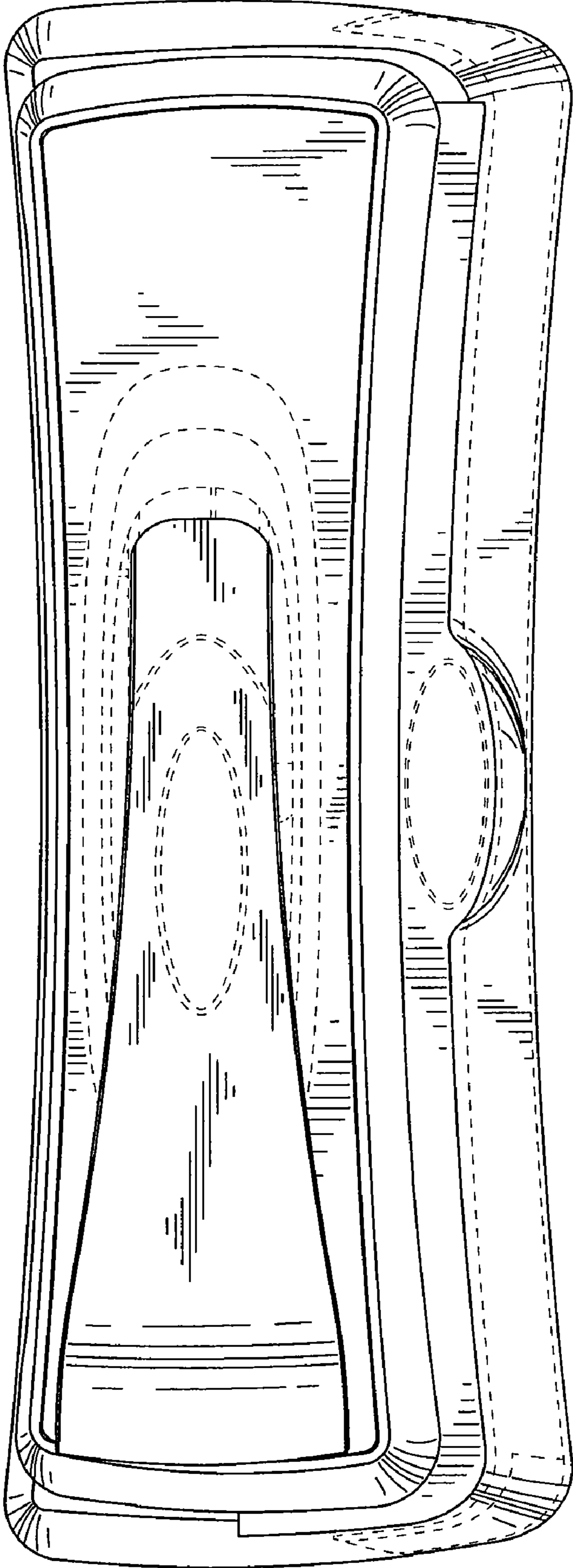


FIG. 6