

US00D592249S

(12) **United States Design Patent**
Chang

(10) **Patent No.:** **US D592,249 S**

(45) **Date of Patent:** **** May 12, 2009**

(54) **TAPE DISPENSER**

(76) **Inventor:** **Chi-Tsai Chang**, No. 39, Sec. 3, Han Kou Road, Taichung City (TW)

(**) **Term:** **14 Years**

(21) **Appl. No.:** **29/330,042**

(22) **Filed:** **Dec. 28, 2008**

(51) **LOC (9) Cl.** **19-02**

(52) **U.S. Cl.** **D19/69**

(58) **Field of Classification Search** D19/70,
D19/69, 36, 68; 242/588.6, 588.2; 225/77,
225/6, 56, 39, 26, 25, 19, 11, 34; 206/411;
156/577, 527, 523

See application file for complete search history.

(56) **References Cited**

U.S. PATENT DOCUMENTS

1,151,971	A *	8/1915	Schulz	225/47
D118,629	S *	1/1940	Reinecke	D19/69
D144,391	S *	4/1946	Krueger	D19/69
2,678,777	A *	5/1954	Donkin	225/19
D185,639	S *	7/1959	Hoffmann-Igl	D19/69
D192,835	S *	5/1962	Wax	D19/69
D194,756	S *	3/1963	Norman	D6/518
D194,819	S *	3/1963	Lausa et al.	D19/69
D246,659	S *	12/1977	Vailati	D19/69
D274,825	S *	7/1984	Lissoni	D19/69
D338,493	S *	8/1993	Mead	D19/69
D348,691	S *	7/1994	Bell et al.	D19/69
D380,777	S *	7/1997	Packard	D19/69

D433,061	S *	10/2000	Shen	D19/69
D480,110	S *	9/2003	Lin	D19/75
D541,348	S *	4/2007	Mandel	D19/69
D549,287	S *	8/2007	Pitzen et al.	D19/69
D552,179	S *	10/2007	Thorsteinsson	D19/69
D567,292	S *	4/2008	Mohoney	D19/69
D570,919	S *	6/2008	Chan et al.	D19/69
D571,405	S *	6/2008	Boulais	D19/69

* cited by examiner

Primary Examiner—Cathron C Brooks

Assistant Examiner—Austin Murphy

(74) *Attorney, Agent, or Firm*—Leong C. Lei

(57) **CLAIM**

The ornamental design for a tape dispenser, as shown and described.

DESCRIPTION

FIG. 1 is a perspective view of a tape dispenser showing my new design;

FIG. 2 is a front elevational view thereof;

FIG. 3 is a rear elevational view thereof;

FIG. 4 is a right side elevational view thereof;

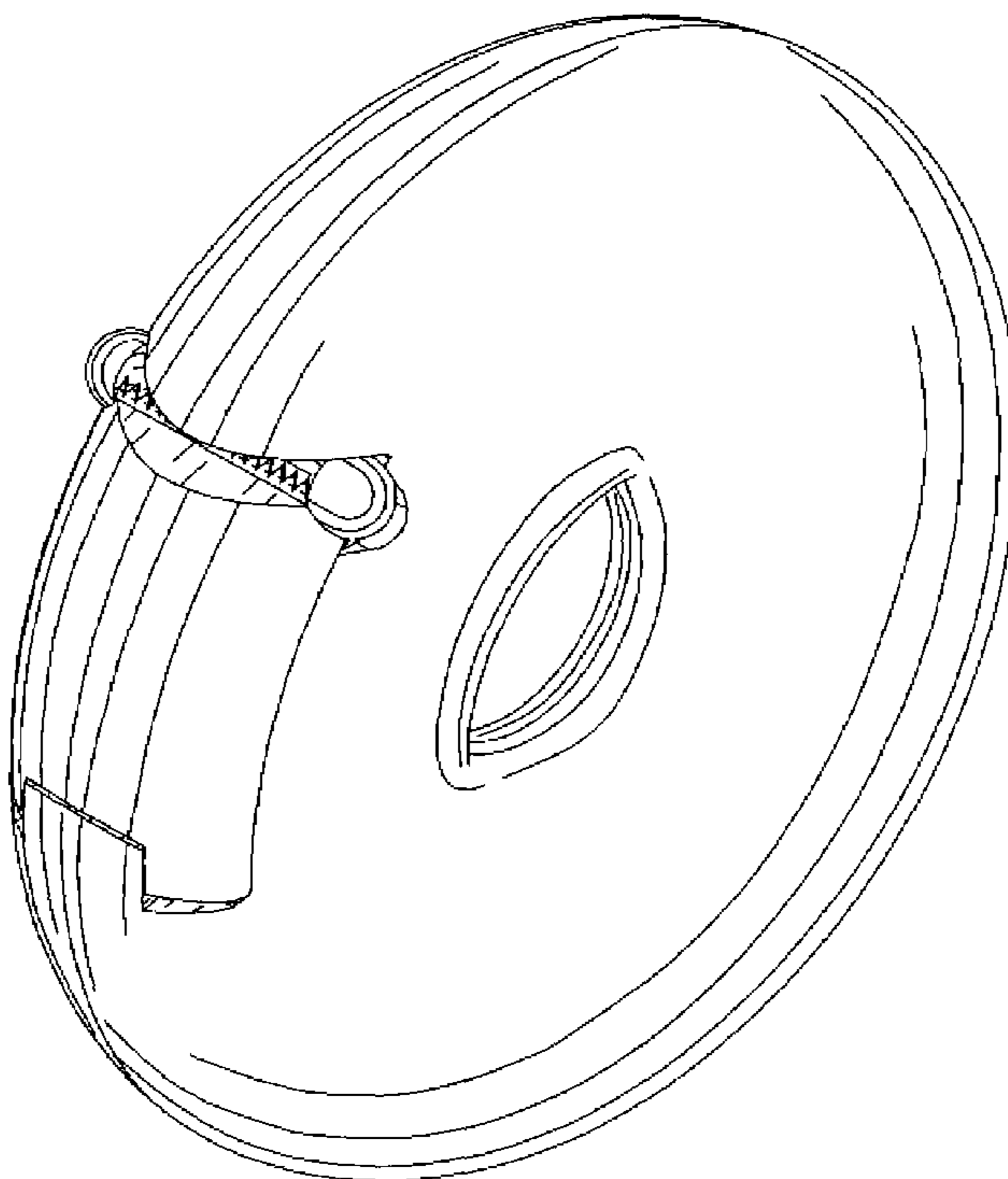
FIG. 5 is a left side elevational view thereof;

FIG. 6 is a top plan view thereof;

FIG. 7 is a bottom plan view thereof; and,

FIG. 8 is another perspective view thereof while in use.

1 Claim, 8 Drawing Sheets



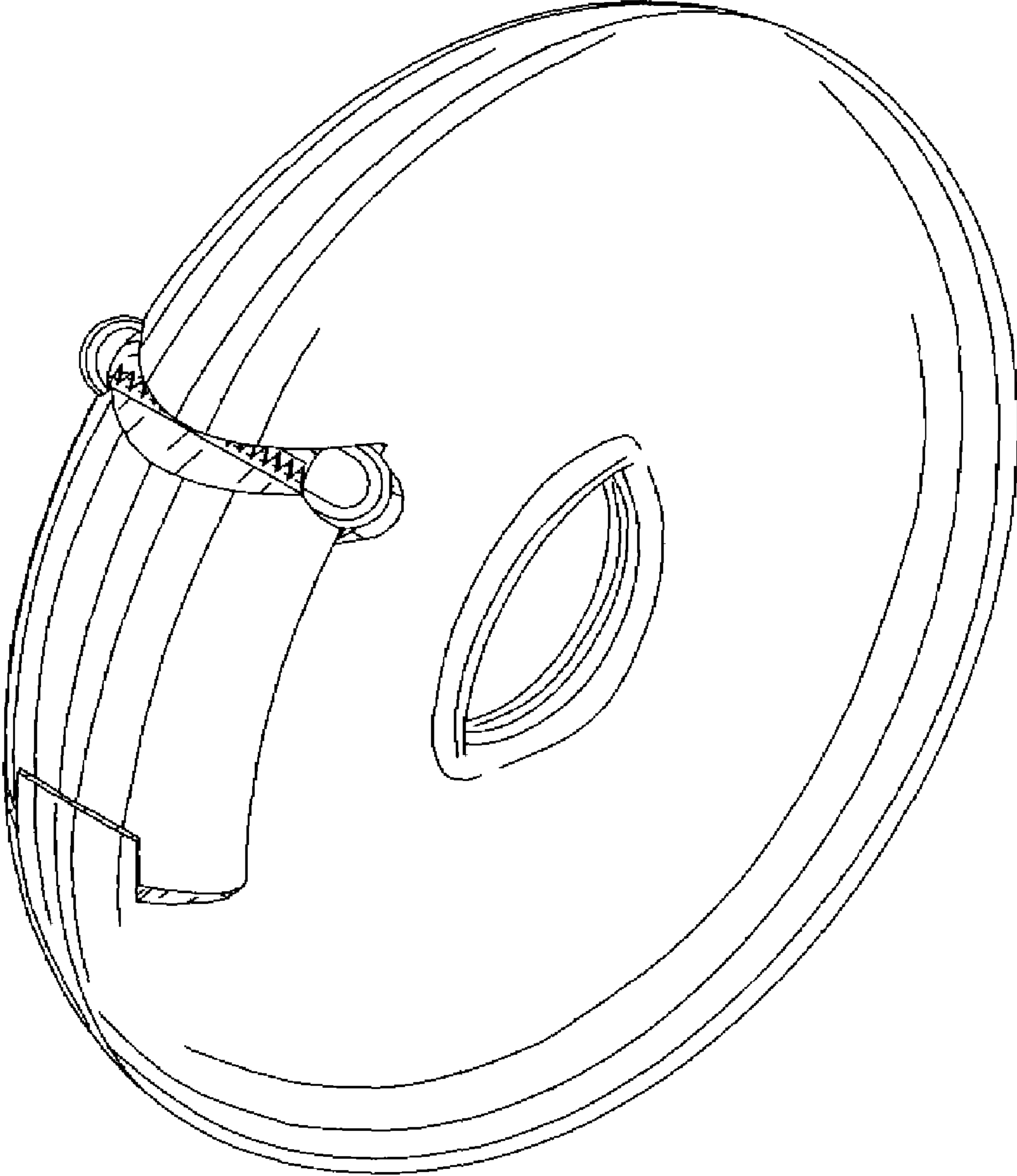


FIG. 1

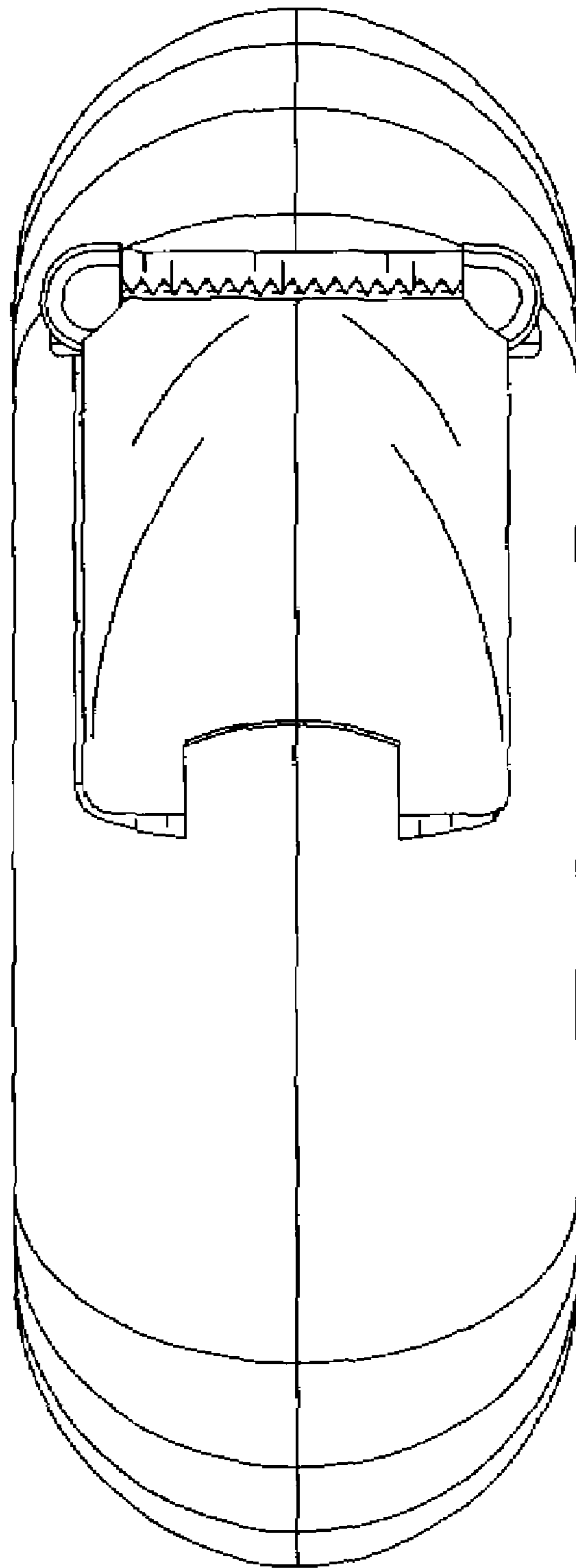


FIG. 2

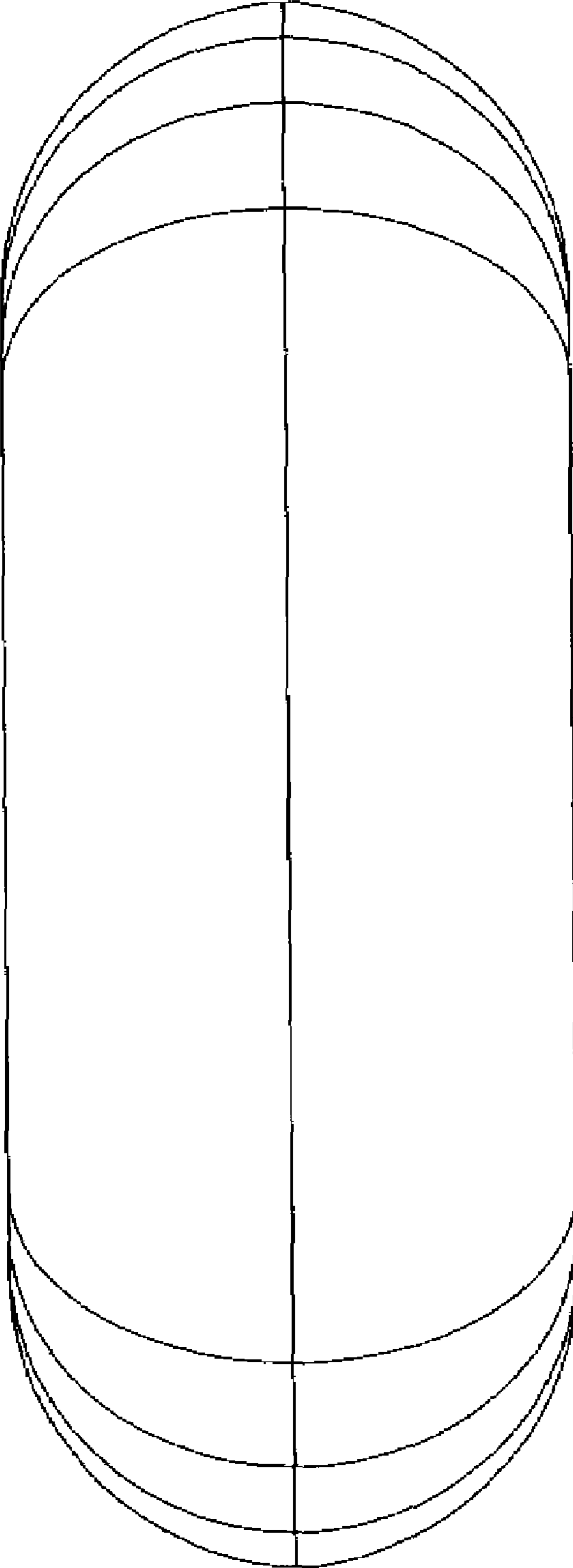


FIG. 3

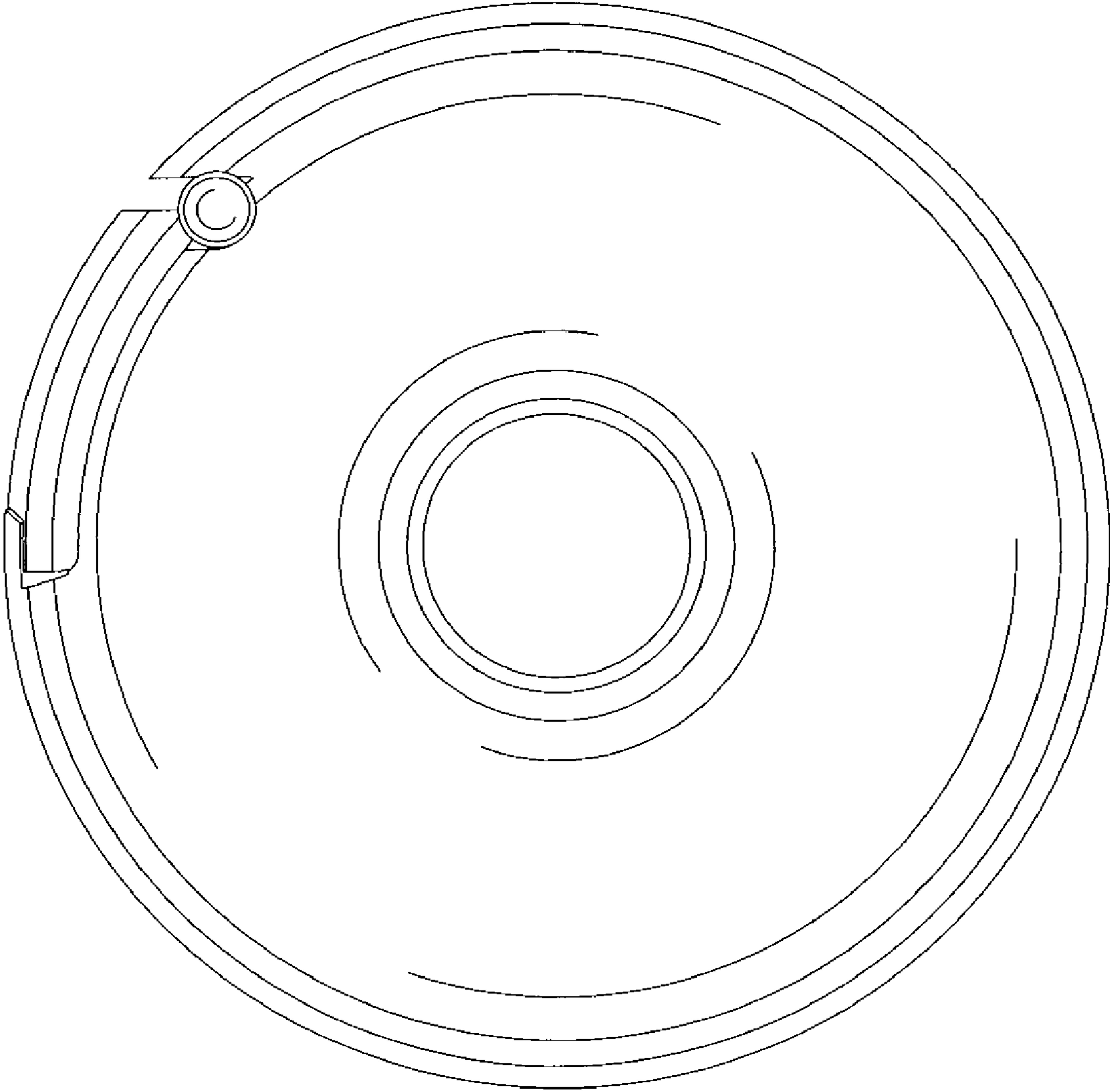


FIG. 4

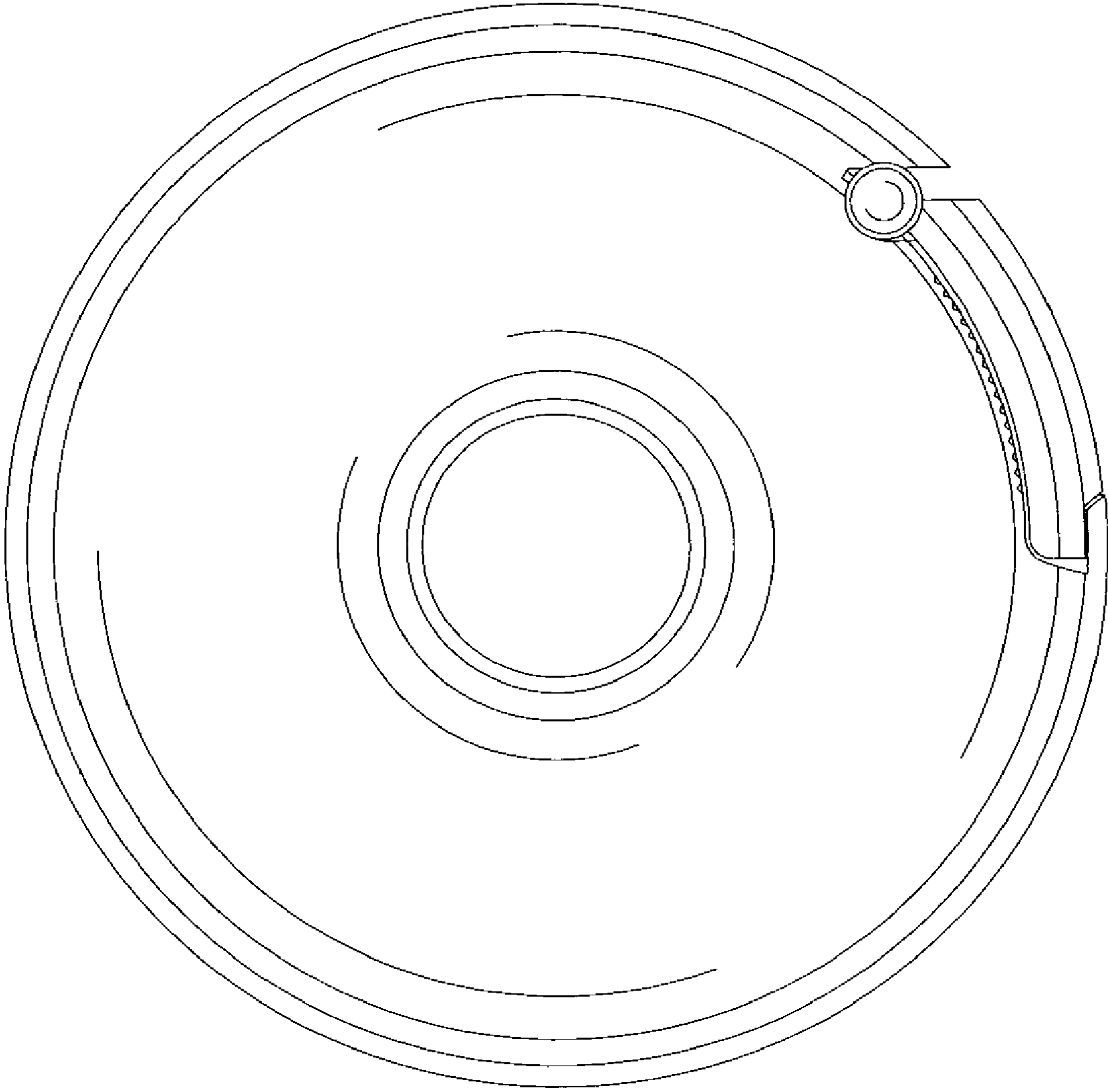


FIG. 5

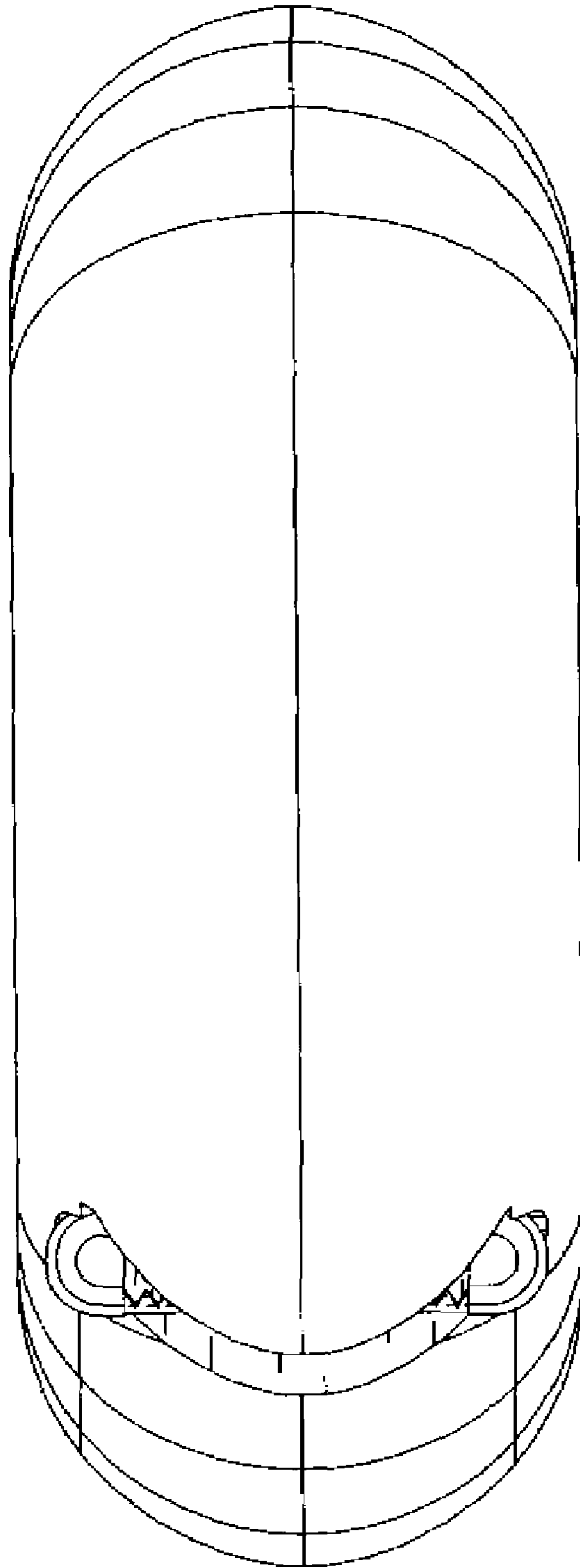


FIG. 6

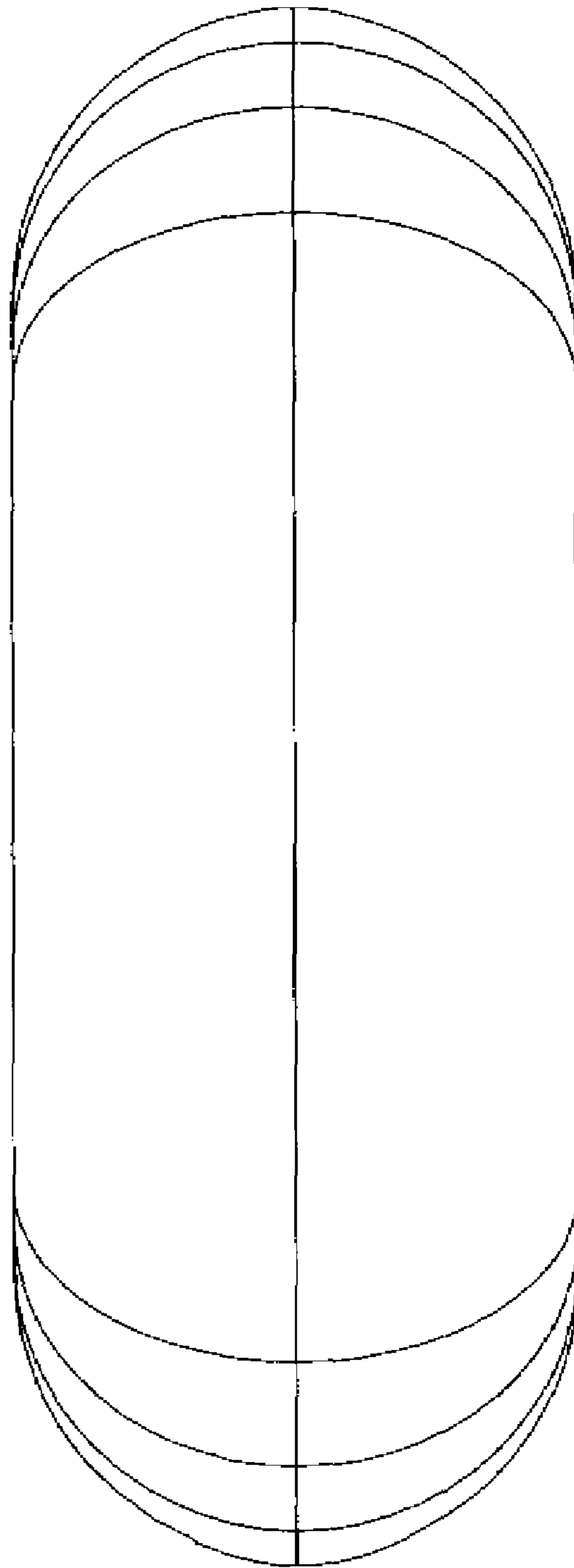


FIG. 7

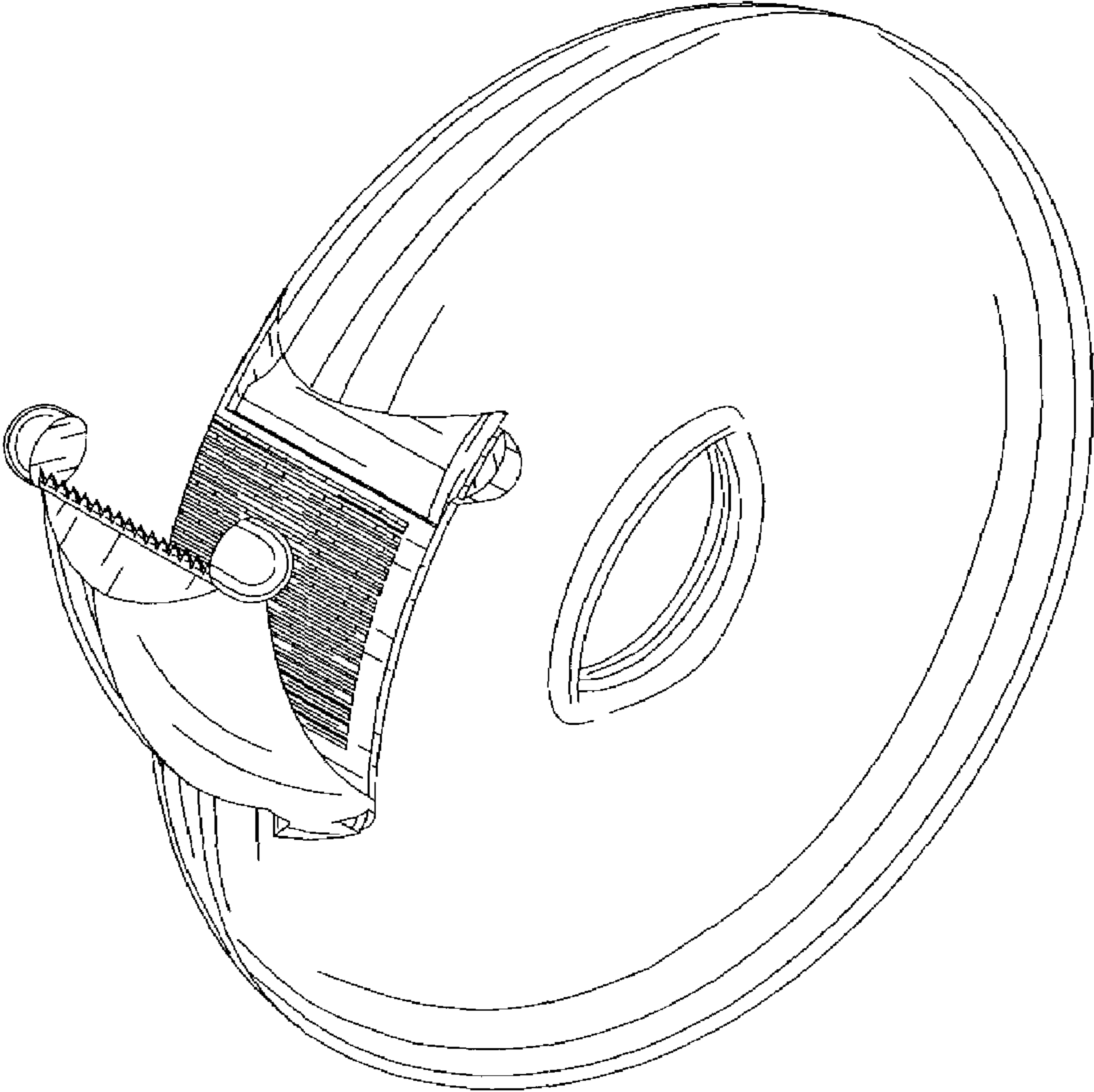


FIG. 8