



US00D592241S

(12) **United States Design Patent**  
**Nozawa et al.**

(10) **Patent No.:** **US D592,241 S**  
(45) **Date of Patent:** **\*\* May 12, 2009**

(54) **INK CARTRIDGE**

(75) Inventors: **Izumi Nozawa**, Matsumoto (JP);  
**Hitoshi Kimura**, Matsumoto (JP)

(73) Assignee: **Seiko Epson Corporation** (JP)

(\*\*) Term: **14 Years**

(21) Appl. No.: **29/326,289**

(22) Filed: **Oct. 15, 2008**

**Related U.S. Application Data**

(62) Division of application No. 29/292,531, filed on Oct. 15, 2007, now Pat. No. Des. 586,849.

(30) **Foreign Application Priority Data**

Apr. 18, 2007 (JP) ..... 2007-010328  
Apr. 18, 2007 (JP) ..... 2007-010331  
Apr. 18, 2007 (JP) ..... 2007-010332  
Sep. 21, 2007 (JP) ..... 2007-025686

(51) **LOC (9) Cl.** ..... **18-02**

(52) **U.S. Cl.** ..... **D18/56; 347/86**

(58) **Field of Classification Search** ..... D18/12,  
D18/43, 56; 347/85-87

See application file for complete search history.

(56) **References Cited**

**U.S. PATENT DOCUMENTS**

D464,672 S \* 10/2002 Shinano et al. .... D18/56  
D467,964 S 12/2002 Shinano et al.  
D477,020 S \* 7/2003 Seino ..... D18/56  
D489,757 S \* 5/2004 Matsumoto ..... D18/56

D529,954 S \* 10/2006 Matsumoto ..... D18/56  
D569,422 S \* 5/2008 Matsumoto ..... D18/56  
D573,180 S \* 7/2008 Yoshino ..... D18/56  
D579,492 S \* 10/2008 Matsumoto ..... D18/56  
2005/0036015 A1 \* 2/2005 Seino et al. .... 347/86  
2007/0132820 A1 \* 6/2007 Sato ..... 347/86  
2008/0024572 A1 \* 1/2008 Kimura et al. .... 347/86  
2008/0030558 A1 \* 2/2008 Seino et al. .... 347/86

**FOREIGN PATENT DOCUMENTS**

JP D 1253580 10/2005

\* cited by examiner

*Primary Examiner*—Cathy Anne MacCormac

(74) *Attorney, Agent, or Firm*—Harness, Dickey & Pierce, P.L.C.

(57) **CLAIM**

The ornamental design for an ink cartridge, as shown and described.

**DESCRIPTION**

FIG. 1 is a top, front and right side perspective view of an ink cartridge according to the present design;

FIG. 2 is a bottom, front and left side perspective view thereof;

FIG. 3 is a front view thereof;

FIG. 4 is a rear view thereof;

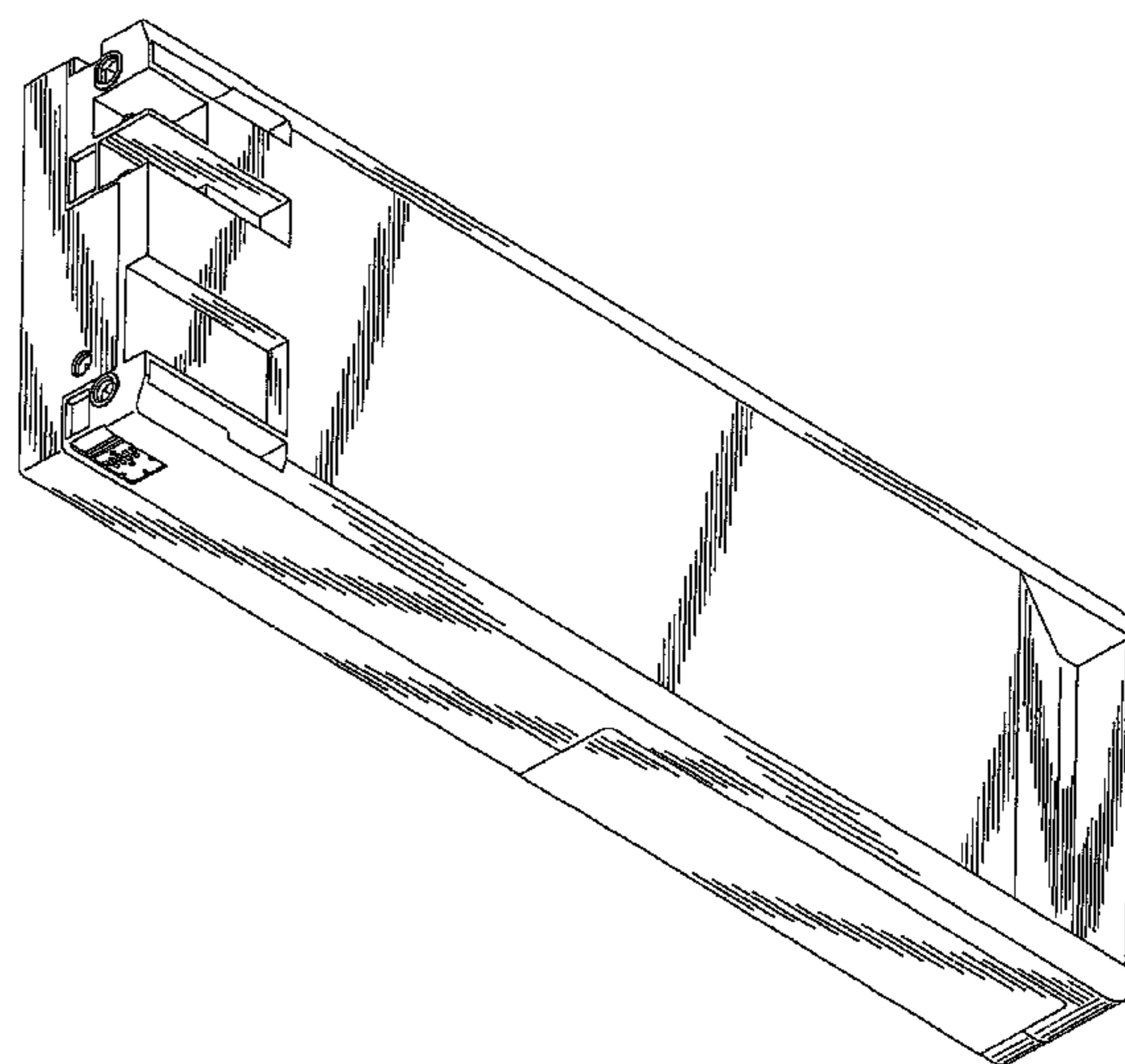
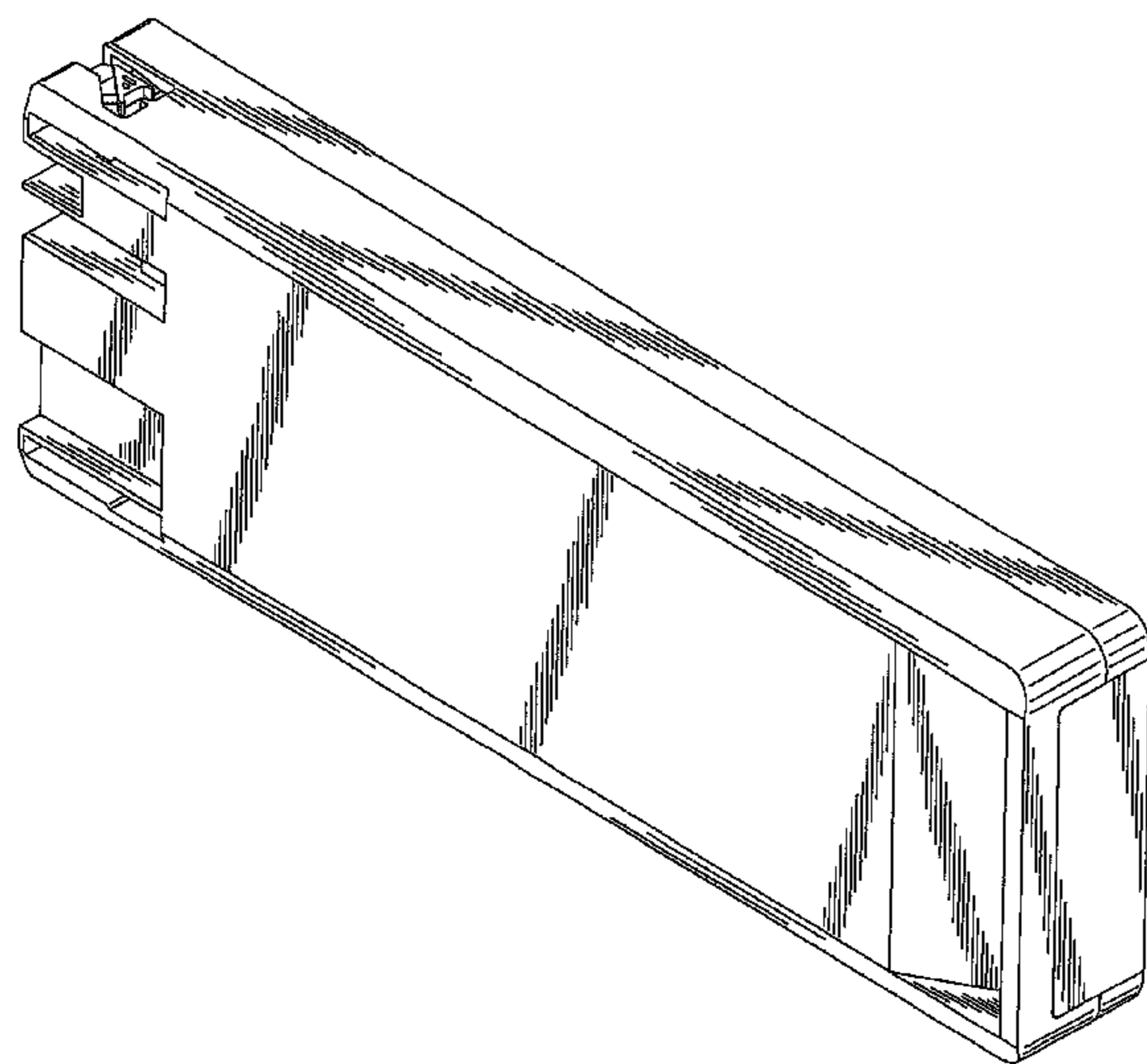
FIG. 5 is a top plan view thereof;

FIG. 6 is a bottom plan view thereof;

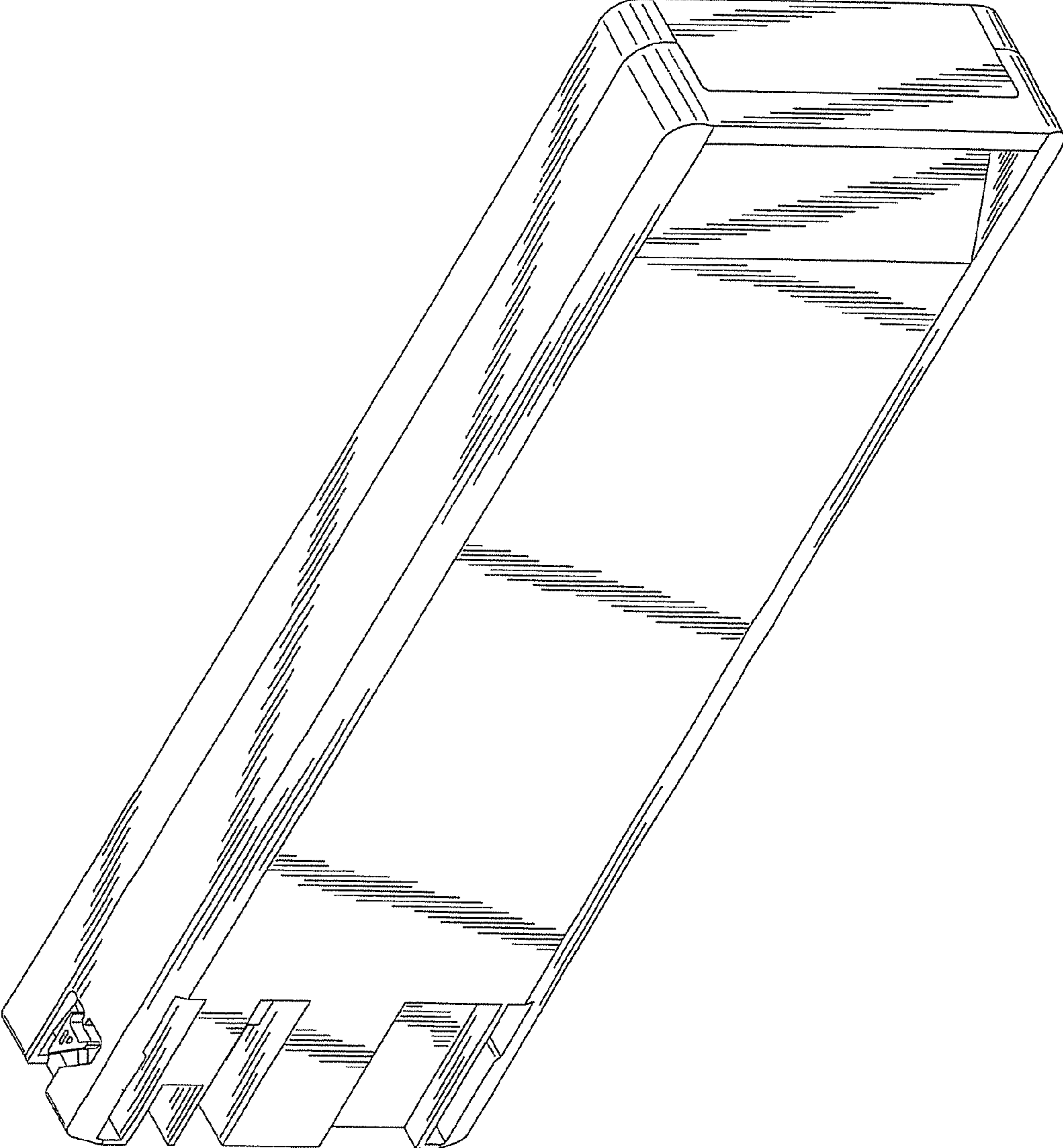
FIG. 7 is a right side elevational view thereof; and,

FIG. 8 is a left side elevational view thereof.

**1 Claim, 6 Drawing Sheets**



*FIG. 1*



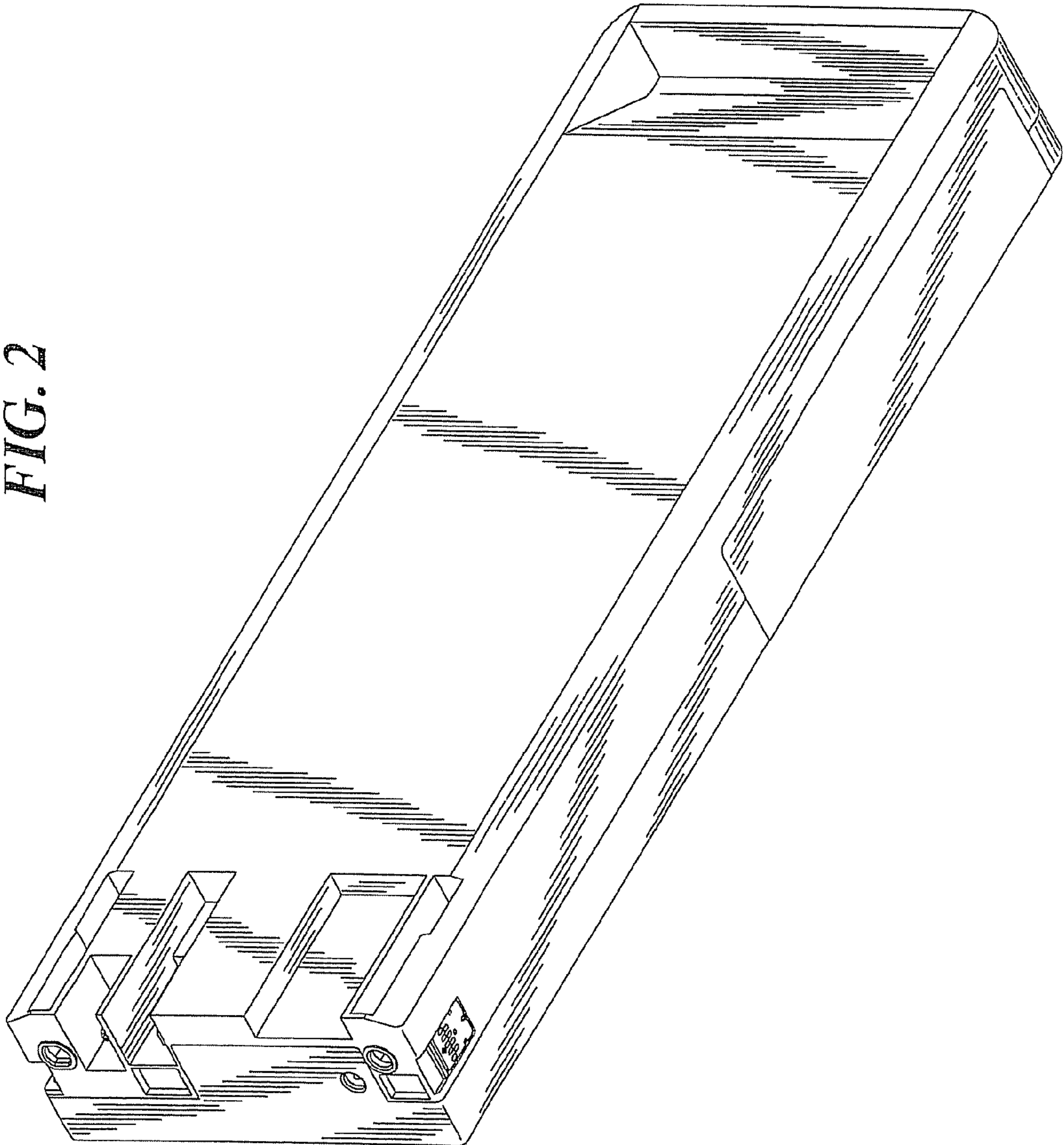
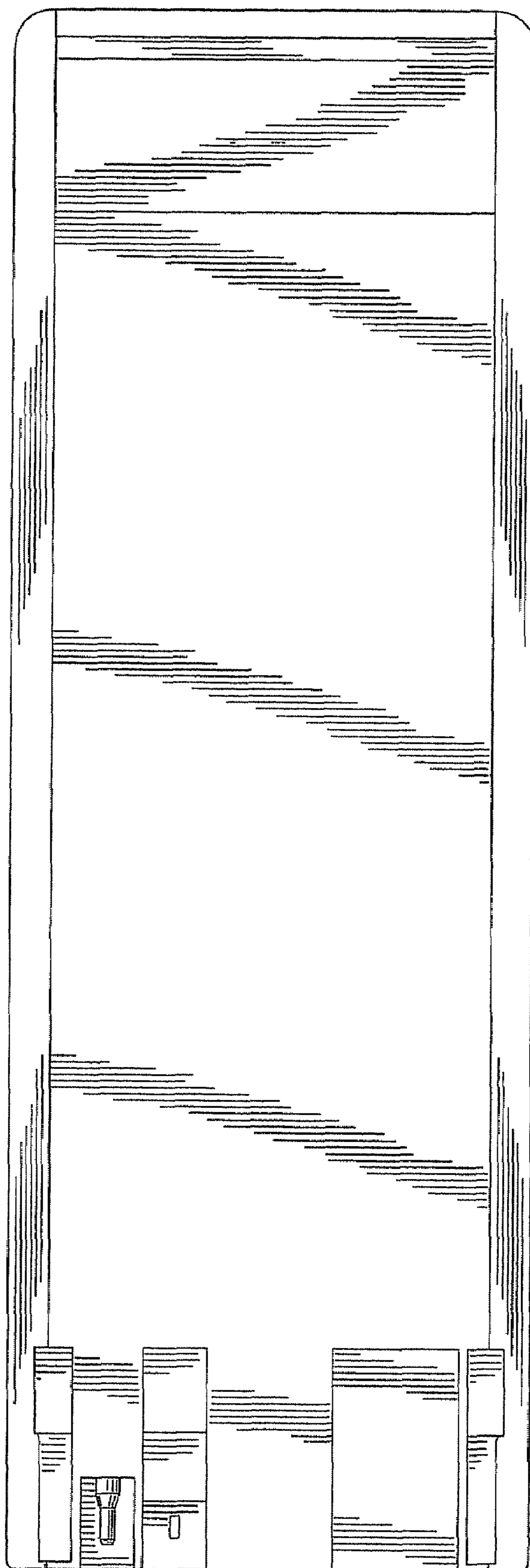
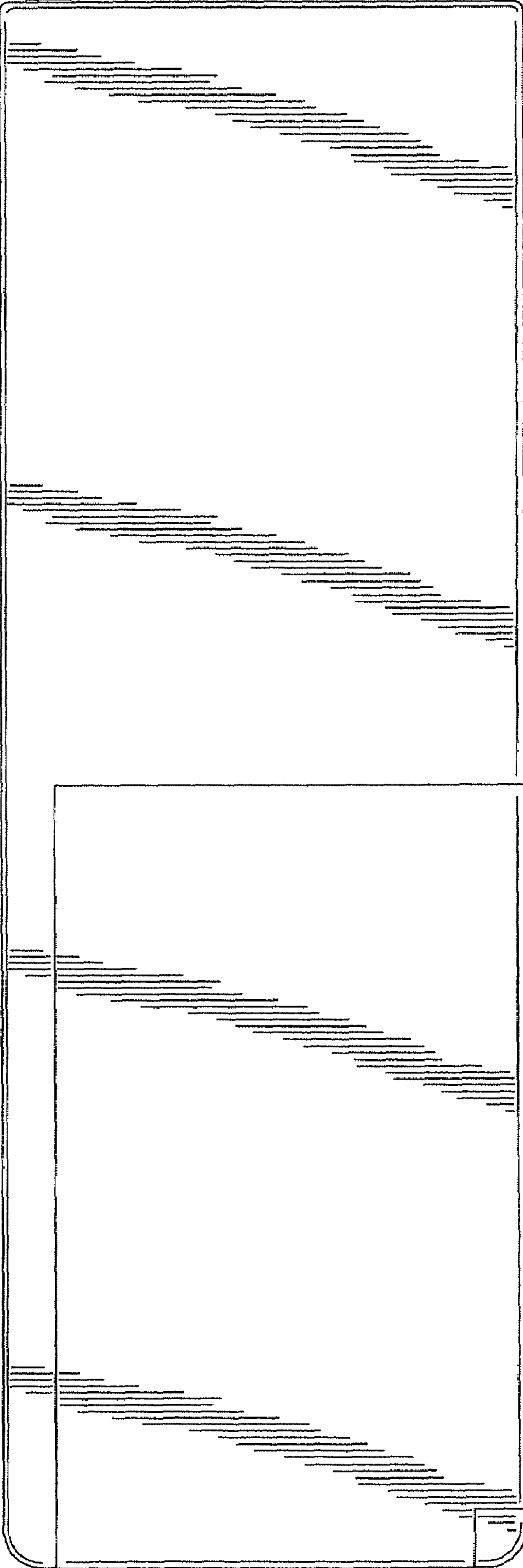


FIG. 2

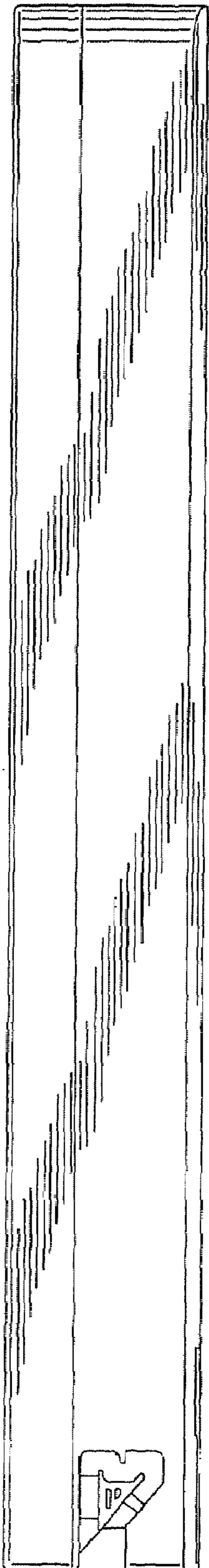
FIG. 3



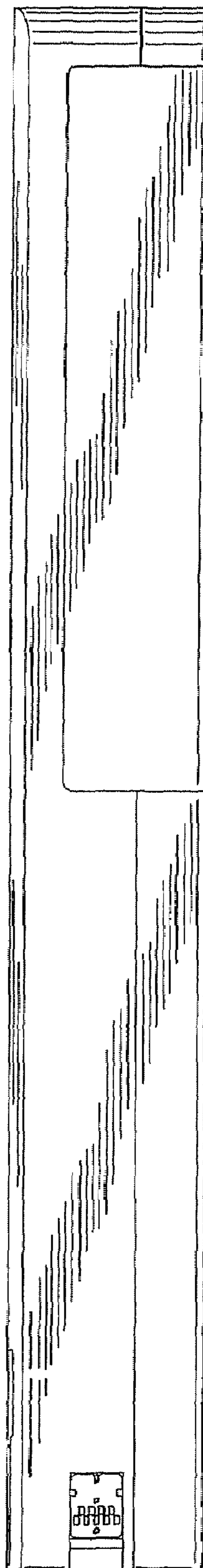
*FIG. 4*



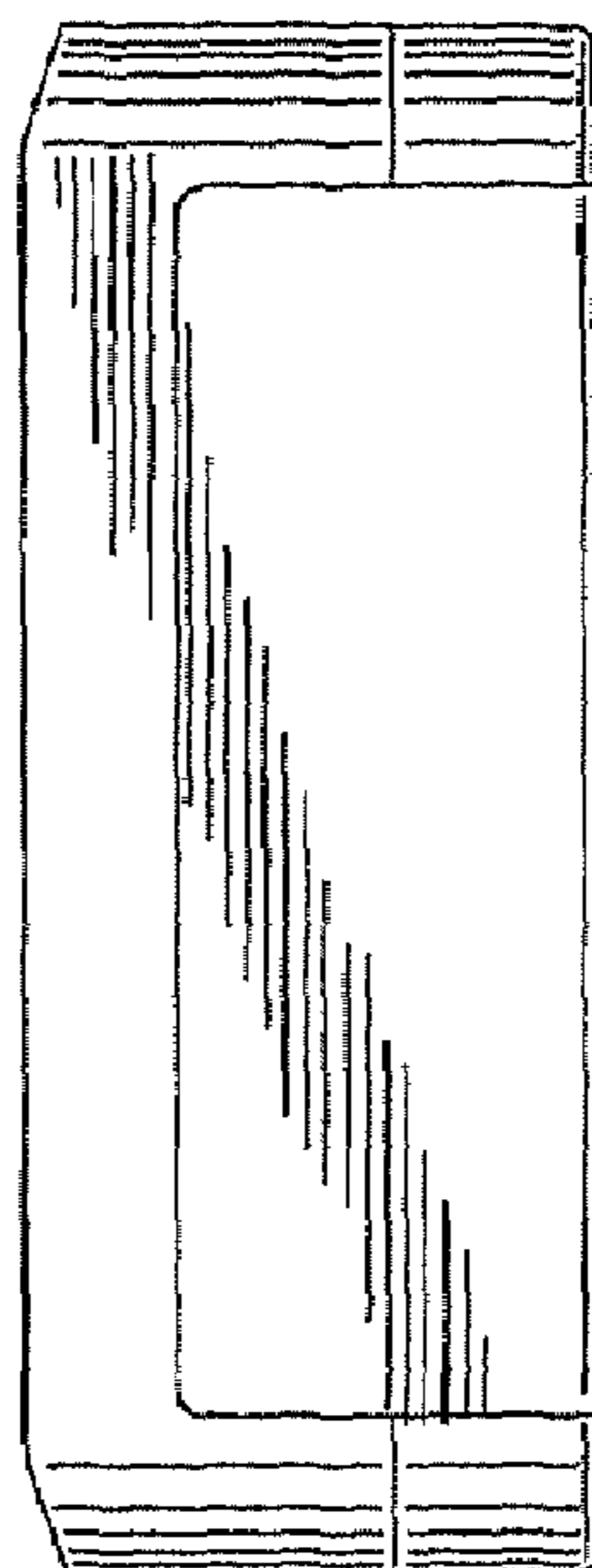
*FIG. 5*



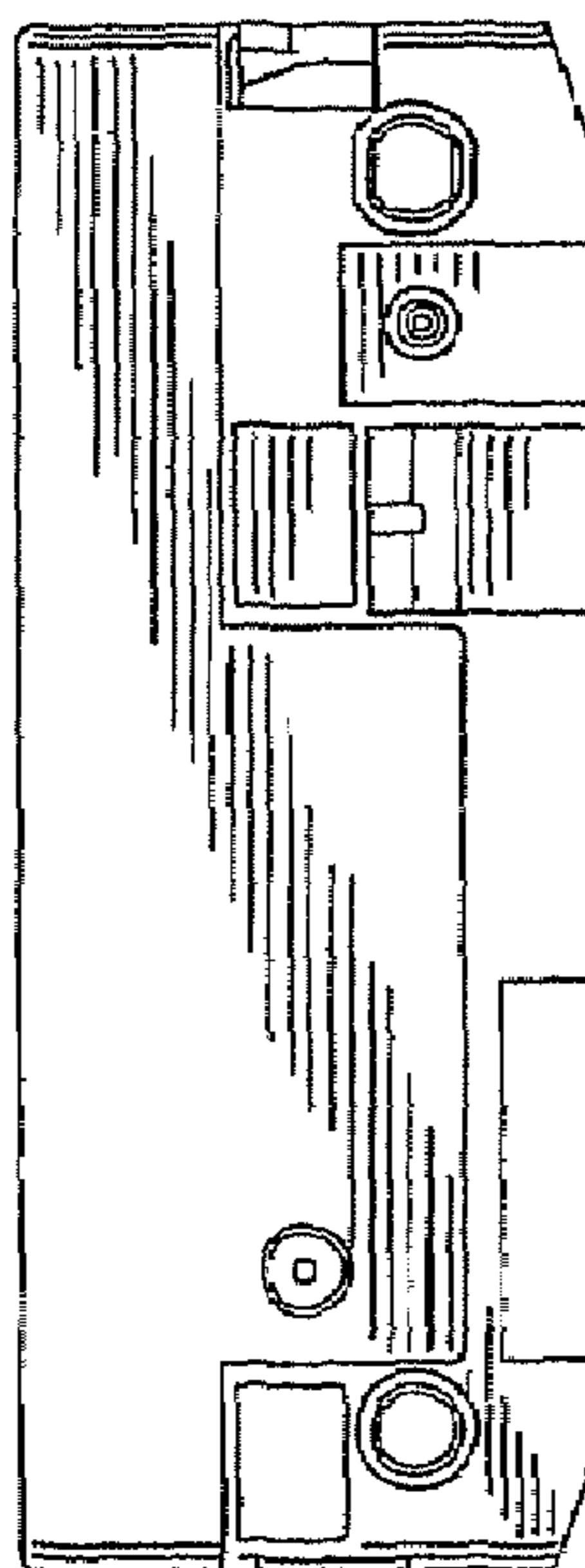
*FIG. 6*



*FIG. 7*



*FIG. 8*



UNITED STATES PATENT AND TRADEMARK OFFICE  
**CERTIFICATE OF CORRECTION**

PATENT NO. : Des. 592,241 S  
APPLICATION NO. : 29/326289  
DATED : May 12, 2009  
INVENTOR(S) : Izumi Nozawa and Hitotoshi Kimura

Page 1 of 1

It is certified that error appears in the above-identified patent and that said Letters Patent is hereby corrected as shown below:

On the Title Page  
Item (30): "Foreign Application  
Priority Data"

Add --April 18, 2007 (JP) 2007-010330--

Signed and Sealed this

First Day of September, 2009



David J. Kappos  
*Director of the United States Patent and Trademark Office*