



US00D592240S

(12) **United States Design Patent**  
**Penke et al.**

(10) **Patent No.:** **US D592,240 S**  
(45) **Date of Patent:** **\*\* May 12, 2009**

(54) **OFFICE MACHINE**

D438,890 S \* 3/2001 Takimura ..... D18/39  
D453,943 S \* 2/2002 Sasaki ..... D18/39  
D550,761 S \* 9/2007 Clark, III ..... D18/39

(75) Inventors: **Mark S Penke**, West Henrietta, NY  
(US); **Donald A Brown**, Honeoye Falls,  
NY (US); **Andrew Pat**, Stevenage (GB)

\* cited by examiner

(73) Assignee: **Xerox Corporation**, Norwalk, CT (US)

*Primary Examiner*—Caron Veynar  
*Assistant Examiner*—Garth Rademaker  
(74) *Attorney, Agent, or Firm*—Tallam I. Nguti

(\*\*) Term: **14 Years**

(21) Appl. No.: **29/298,872**

(57) **CLAIM**

(22) Filed: **Dec. 14, 2007**

The ornamental design for an office machine, as shown and described.

(51) **LOC (9) Cl.** ..... **16-03**

(52) **U.S. Cl.** ..... **D18/39**

(58) **Field of Classification Search** ..... D18/36-41,  
D18/44-56; 222/DIG. 1; 271/3.14, 8.1,  
271/226, 278; 355/97, 99; 358/1.1; 399/1-7,  
399/16, 75, 81, 107, 130, 151, 361, 365,  
399/367, 381-383, 388

See application file for complete search history.

**DESCRIPTION**

FIG. 1 is a perspective view of an office machine showing the ornamental design in accordance the present invention;

FIG. 2 is a front view thereof;

FIG. 3 is a right side view thereof;

FIG. 4 is a rear view thereof;

FIG. 5 is a left side view thereof;

FIG. 6 is a top plan view thereof; and,

FIG. 7 is a bottom plan view thereof.

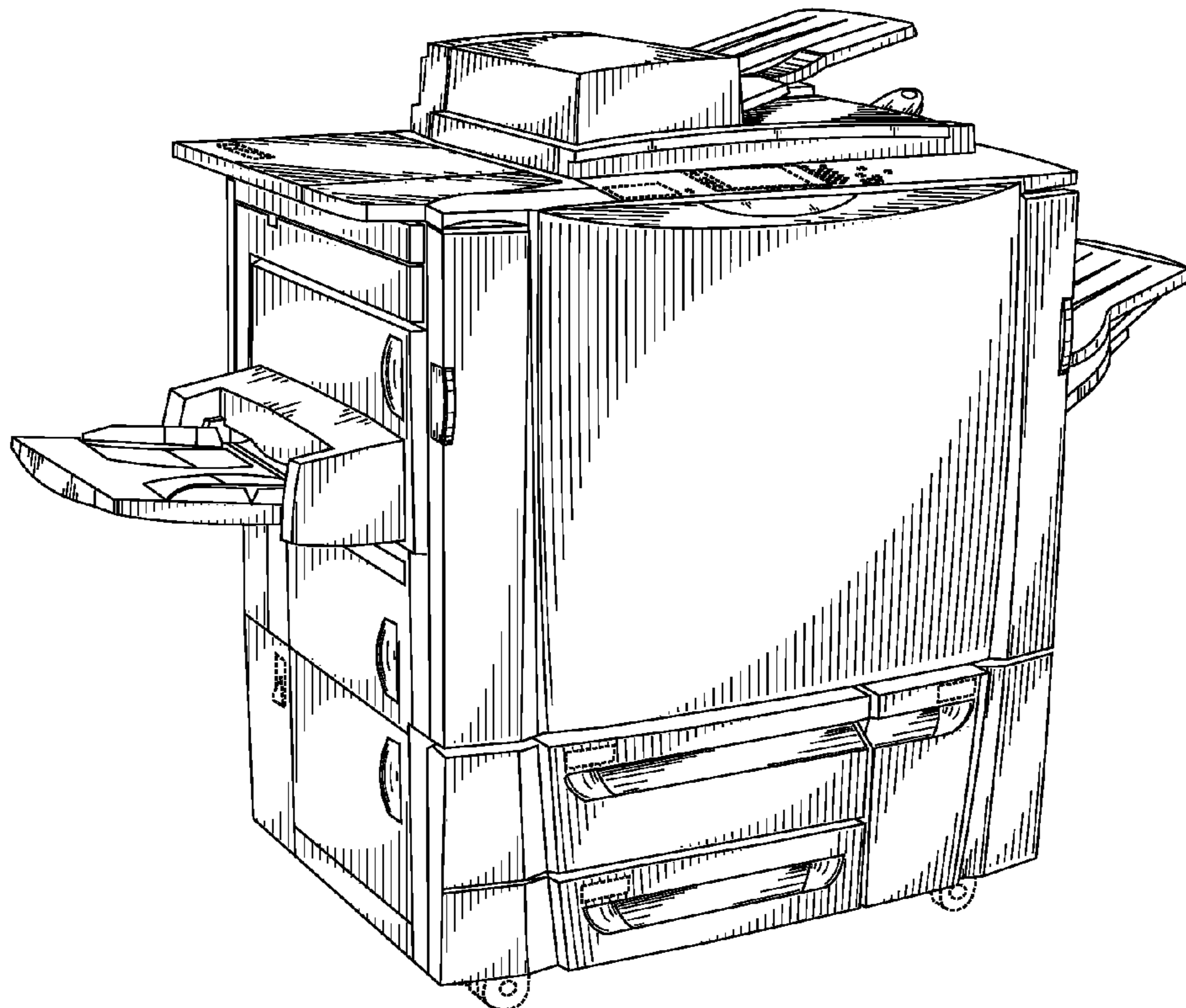
The broken lines depict environmental subject matter only and form no part of the claimed design.

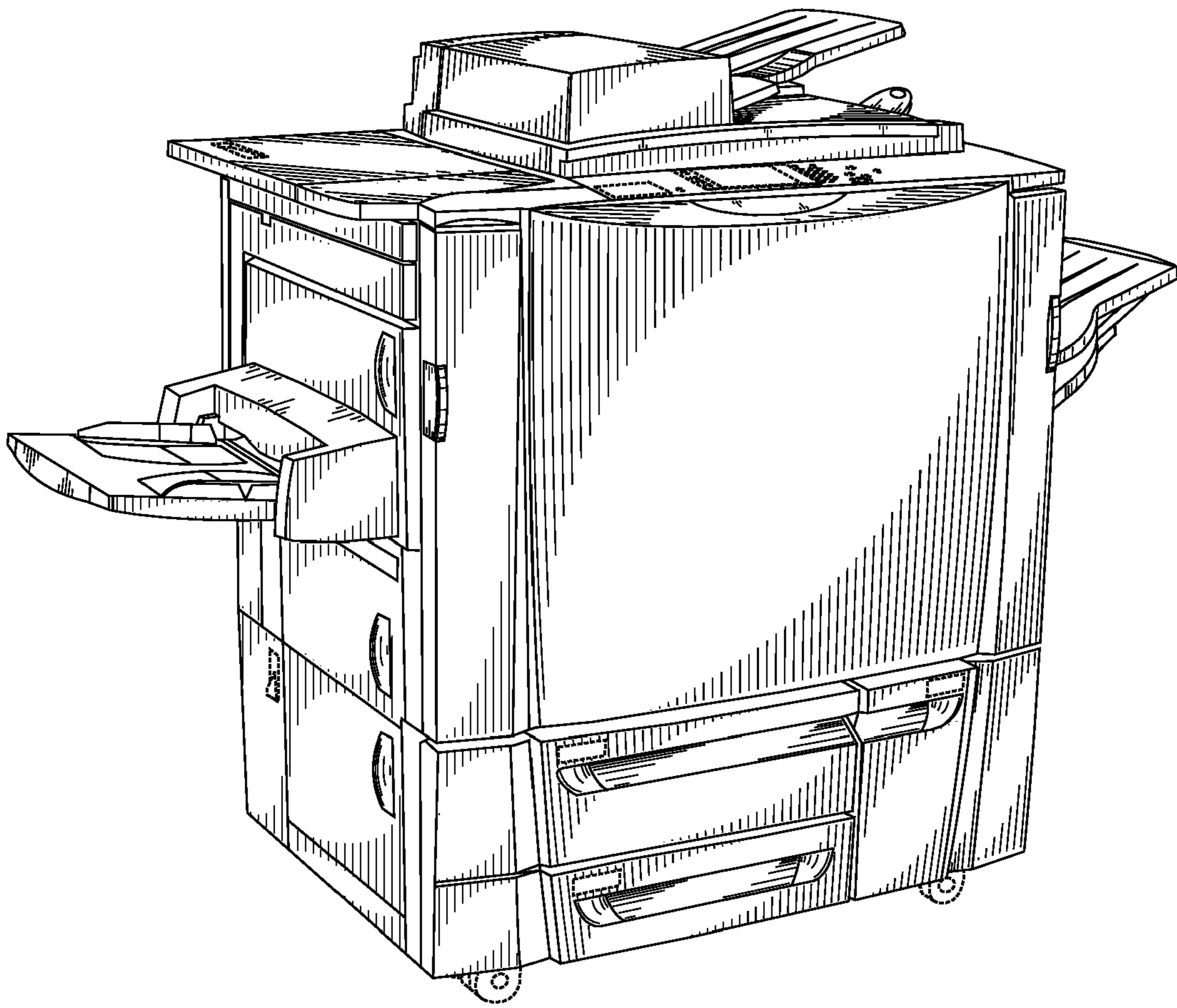
(56) **References Cited**

**U.S. PATENT DOCUMENTS**

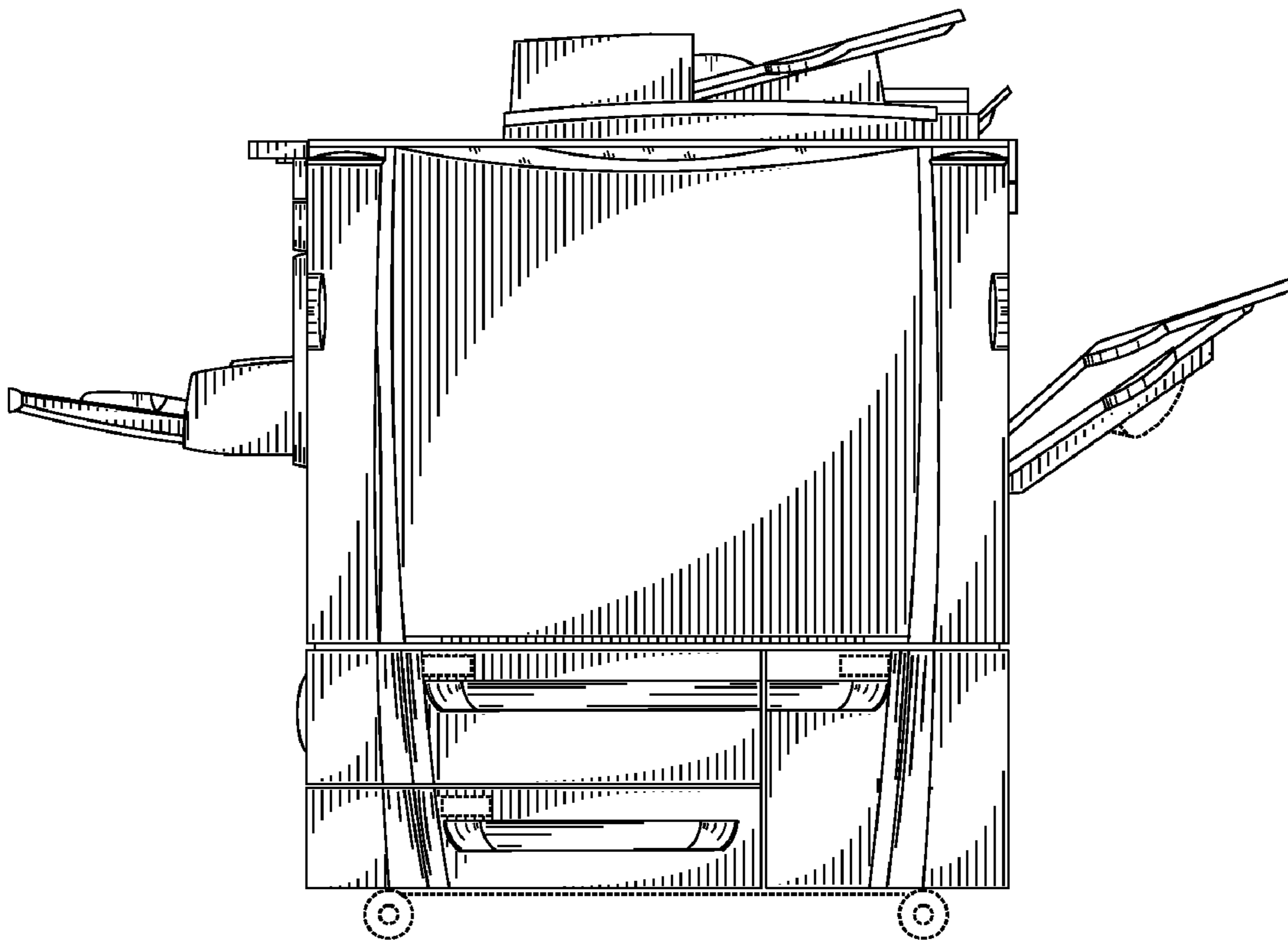
D312,653 S \* 12/1990 Nakamura et al. .... D18/37  
D350,767 S \* 9/1994 Kojima et al. .... D18/38  
5,481,353 A \* 1/1996 Hicks et al. .... 399/382  
D380,768 S \* 7/1997 Agata ..... D18/38  
D423,562 S \* 4/2000 Kobayashi ..... D18/55

**1 Claim, 6 Drawing Sheets**

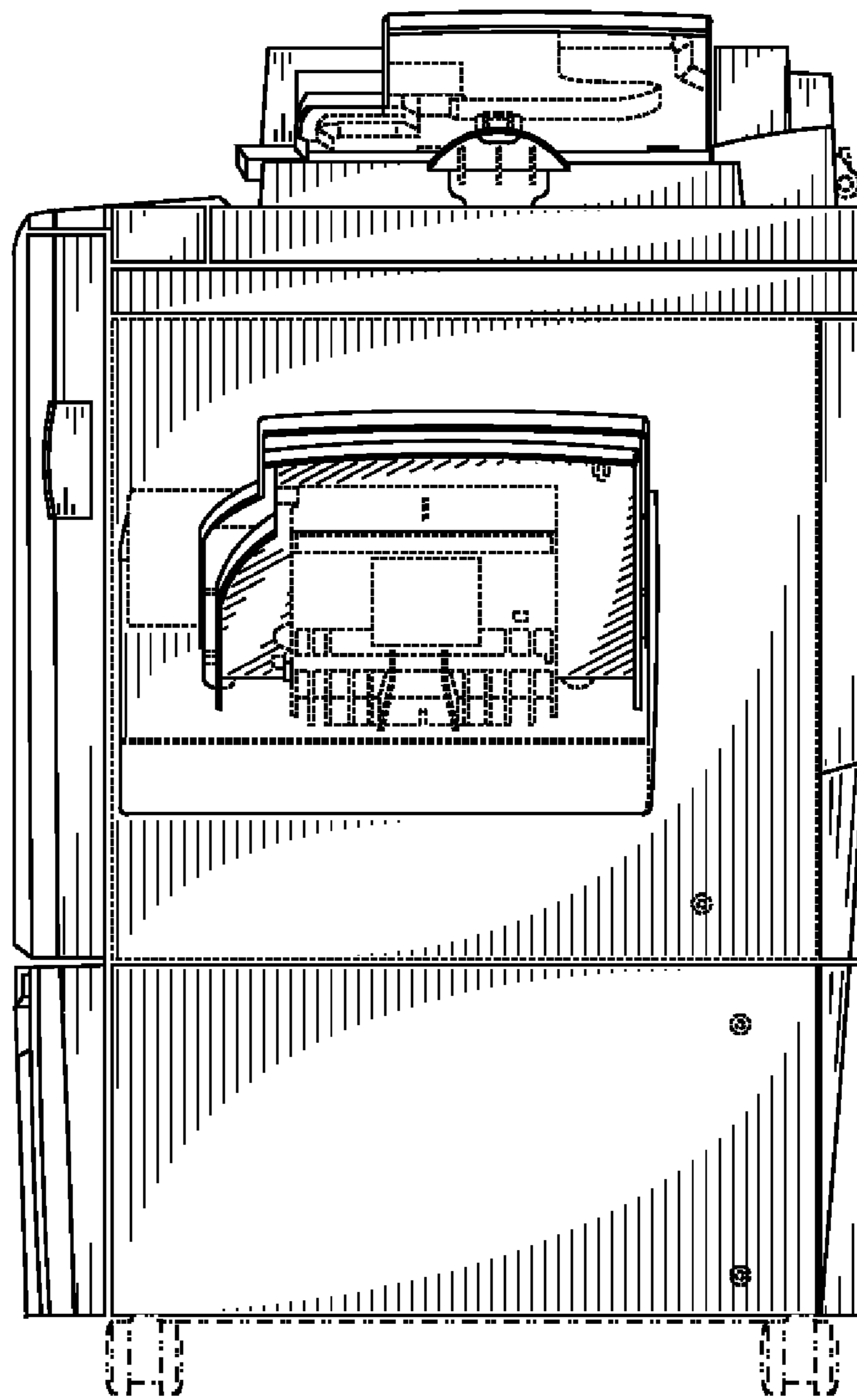




**FIG. 1**



**FIG. 2**



**FIG. 3**

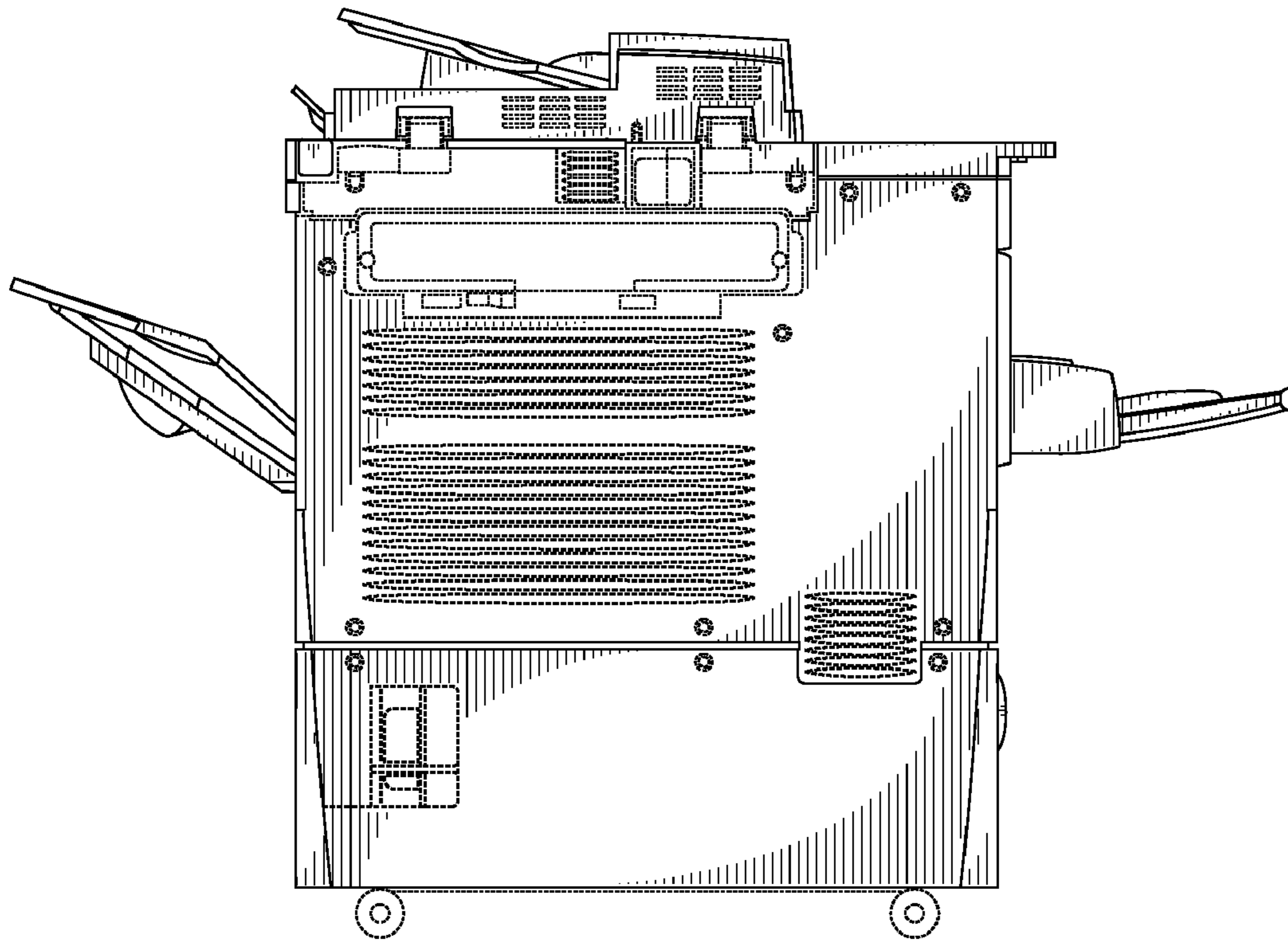
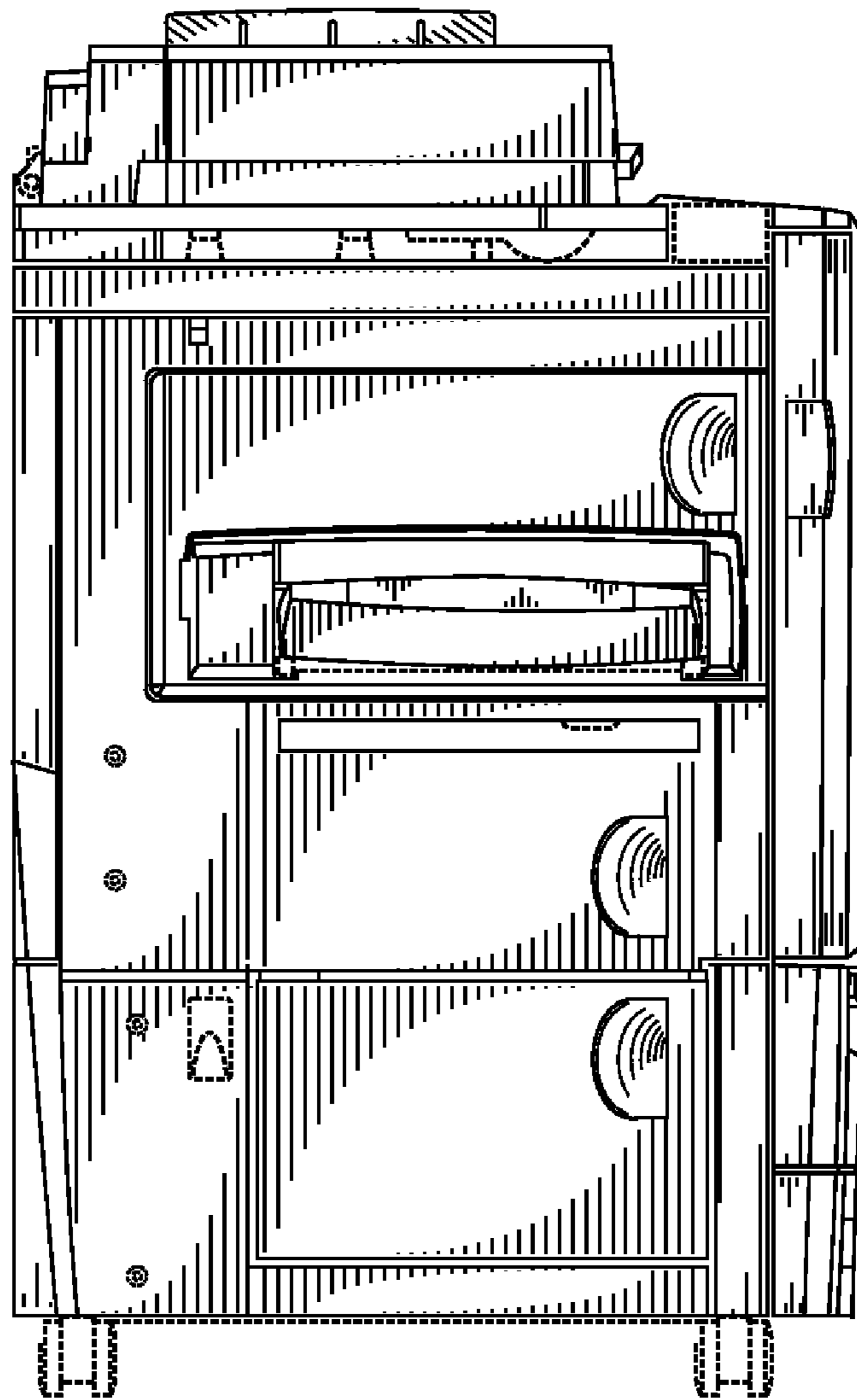


FIG. 4



**FIG. 5**

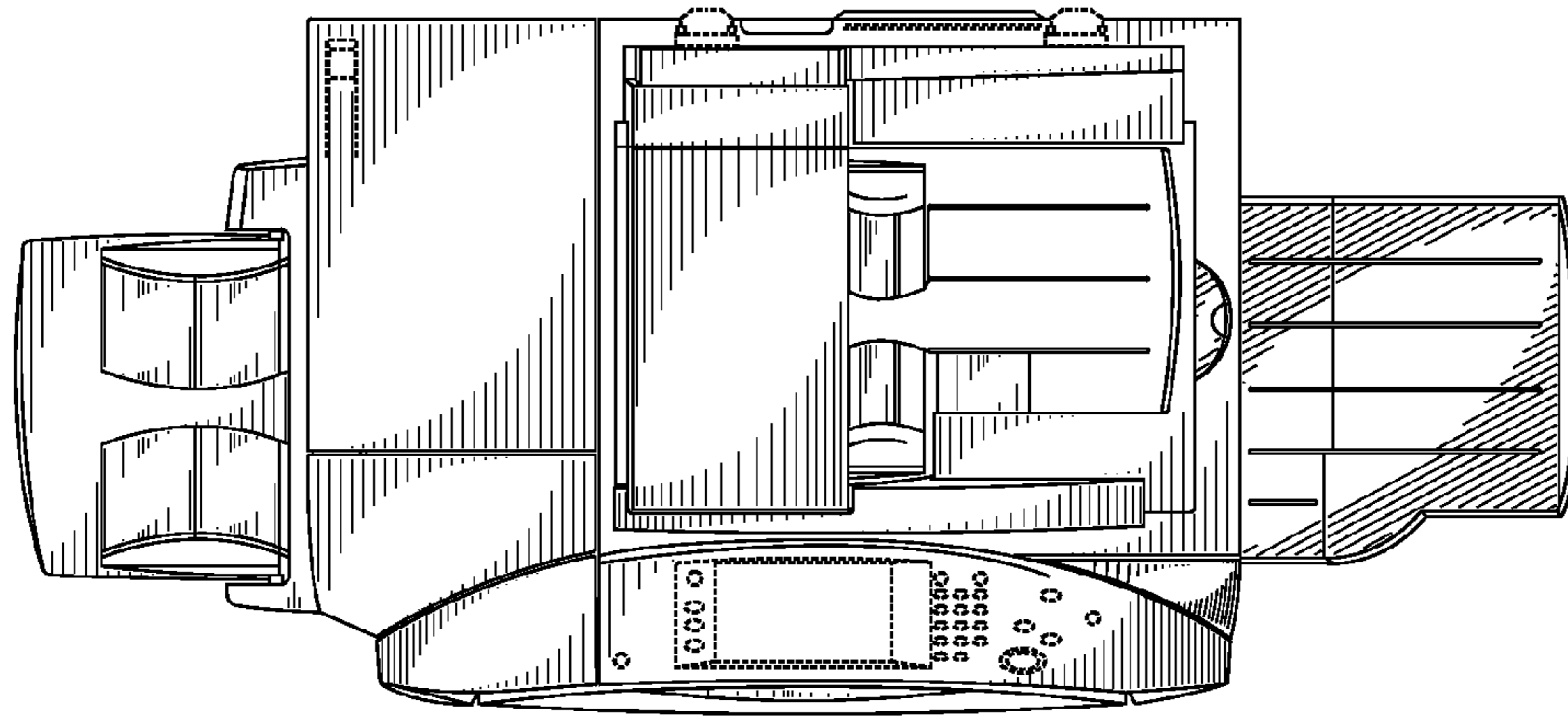


FIG. 6

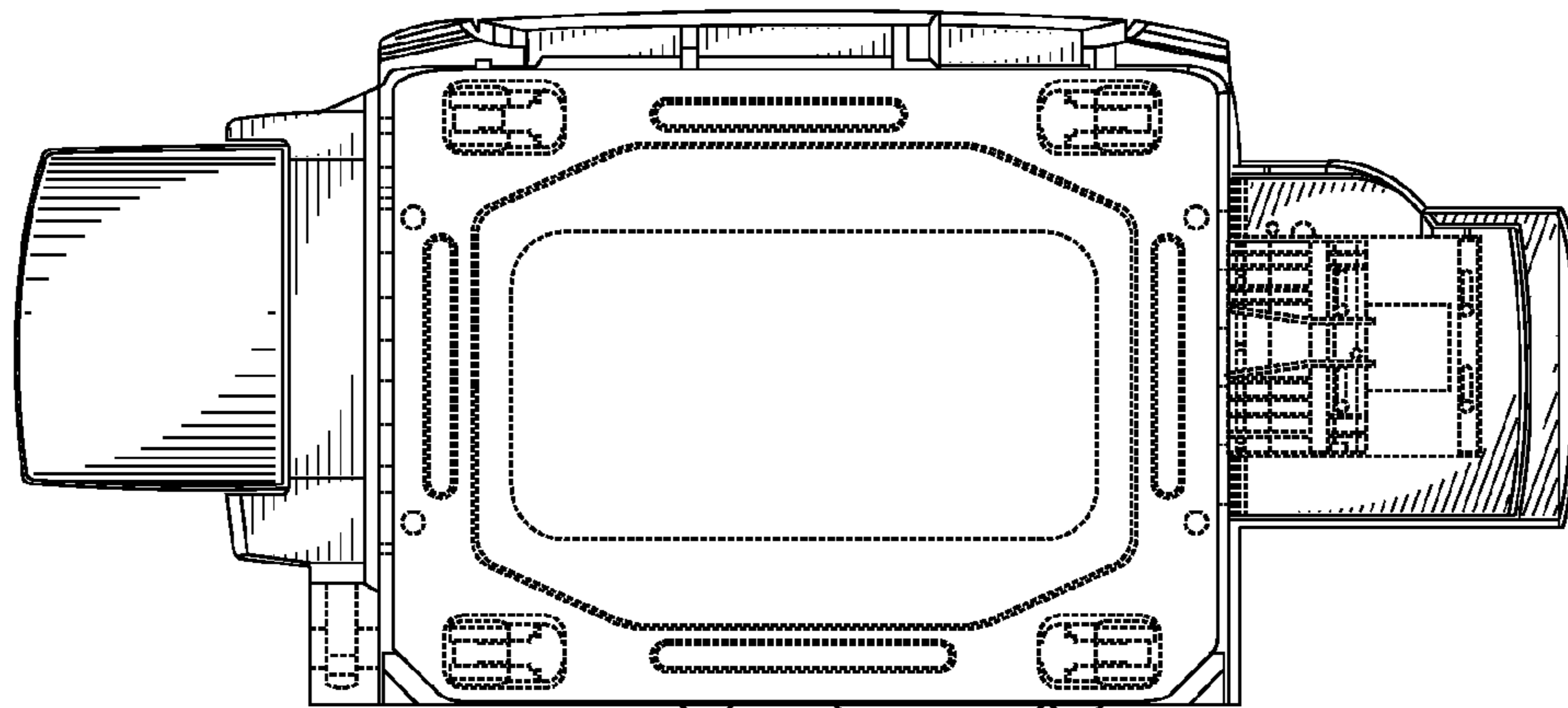


FIG. 7