



US00D592234S

(12) **United States Design Patent**
Kim et al.

(10) **Patent No.:** **US D592,234 S**

(45) **Date of Patent:** **** May 12, 2009**

(54) **PORTION OF AN ELECTRONIC CAMERA**

D580,471 S * 11/2008 Tena Comadran D16/218
D582,955 S * 12/2008 Sekine et al. D16/218

(75) Inventors: **Young Soo Kim**, Bellevue, WA (US);
Ralf Groene, Kirkland, WA (US); **Dan O'Neil**, Seattle, WA (US)

* cited by examiner

Primary Examiner—Adir Aronovich

(73) Assignee: **Microsoft Corporation**, Redmond, WA (US)

(74) *Attorney, Agent, or Firm*—Banner & Witcoff, Ltd.

(**) Term: **14 Years**

(57) **CLAIM**

(21) Appl. No.: **29/306,516**

The ornamental design for a portion of an electronic camera, as shown and described.

(22) Filed: **Apr. 10, 2008**

DESCRIPTION

(51) **LOC (9) Cl.** **16-05**

FIG. 1 is a front perspective view of a portion of an electronic camera showing our new design;

(52) **U.S. Cl.** **D16/219**

FIG. 2 is a front view thereof;

(58) **Field of Classification Search** D16/200–204,
D16/208, 218, 219; 348/333.01, 373–376;
358/909.1; 396/535–541

FIG. 3 is a rear view thereof;

See application file for complete search history.

FIG. 4 is a left side view thereof;

FIG. 5 is a right side view thereof;

(56) **References Cited**

U.S. PATENT DOCUMENTS

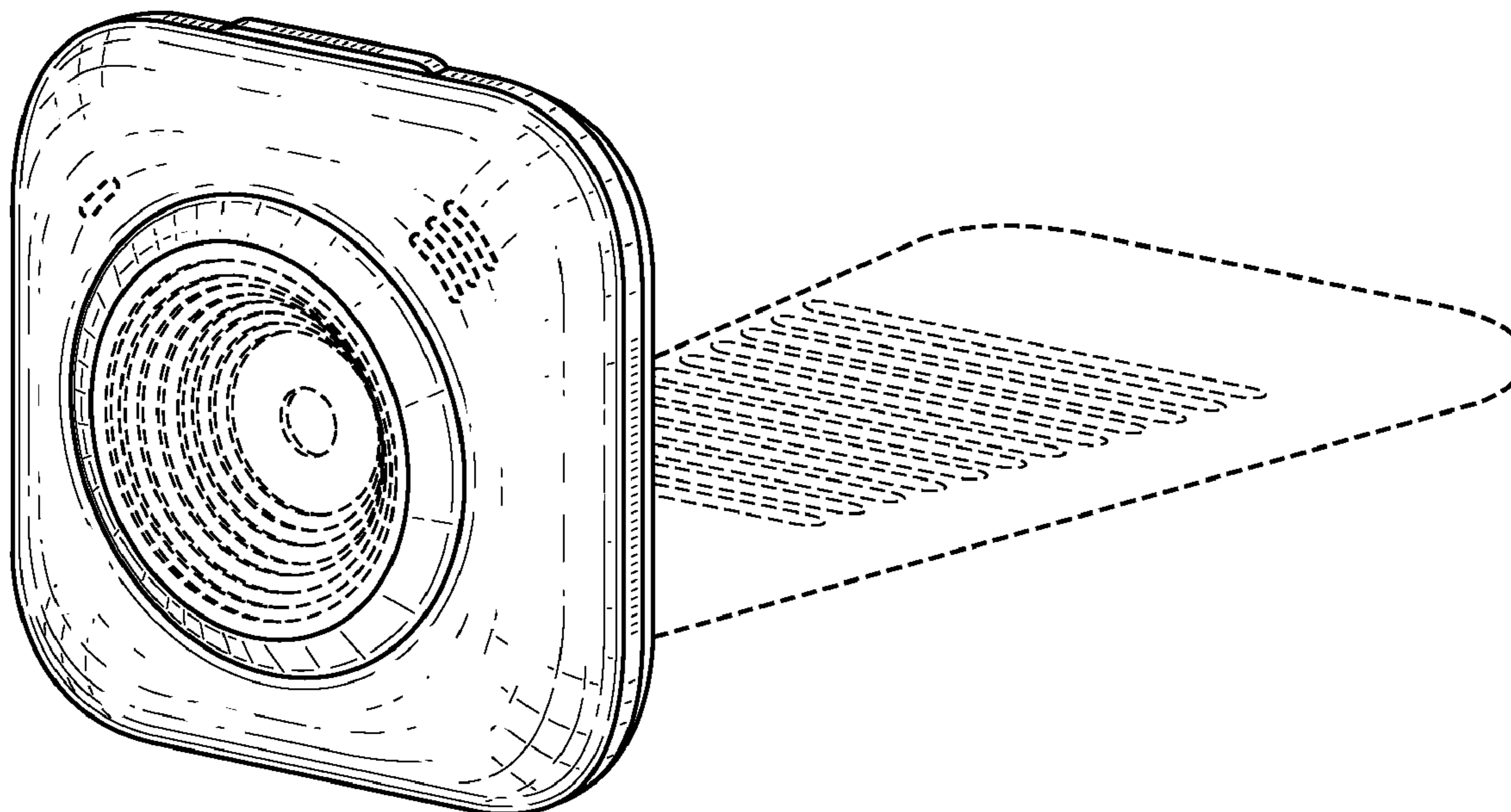
D364,884 S * 12/1995 Shindo D16/202
D465,504 S * 11/2002 Van Klinken D16/203
6,781,629 B2 * 8/2004 Ohnogi 348/333.01
D496,674 S * 9/2004 Hayashi D16/202
D563,446 S * 3/2008 Stephens et al. D16/202

FIG. 6 is a top view thereof; and,

FIG. 7 is a bottom view thereof.

The broken line showing of various regions in the figures, including the unshaded areas therein, is for illustrative purposes and forms no part of the claimed design.

1 Claim, 5 Drawing Sheets



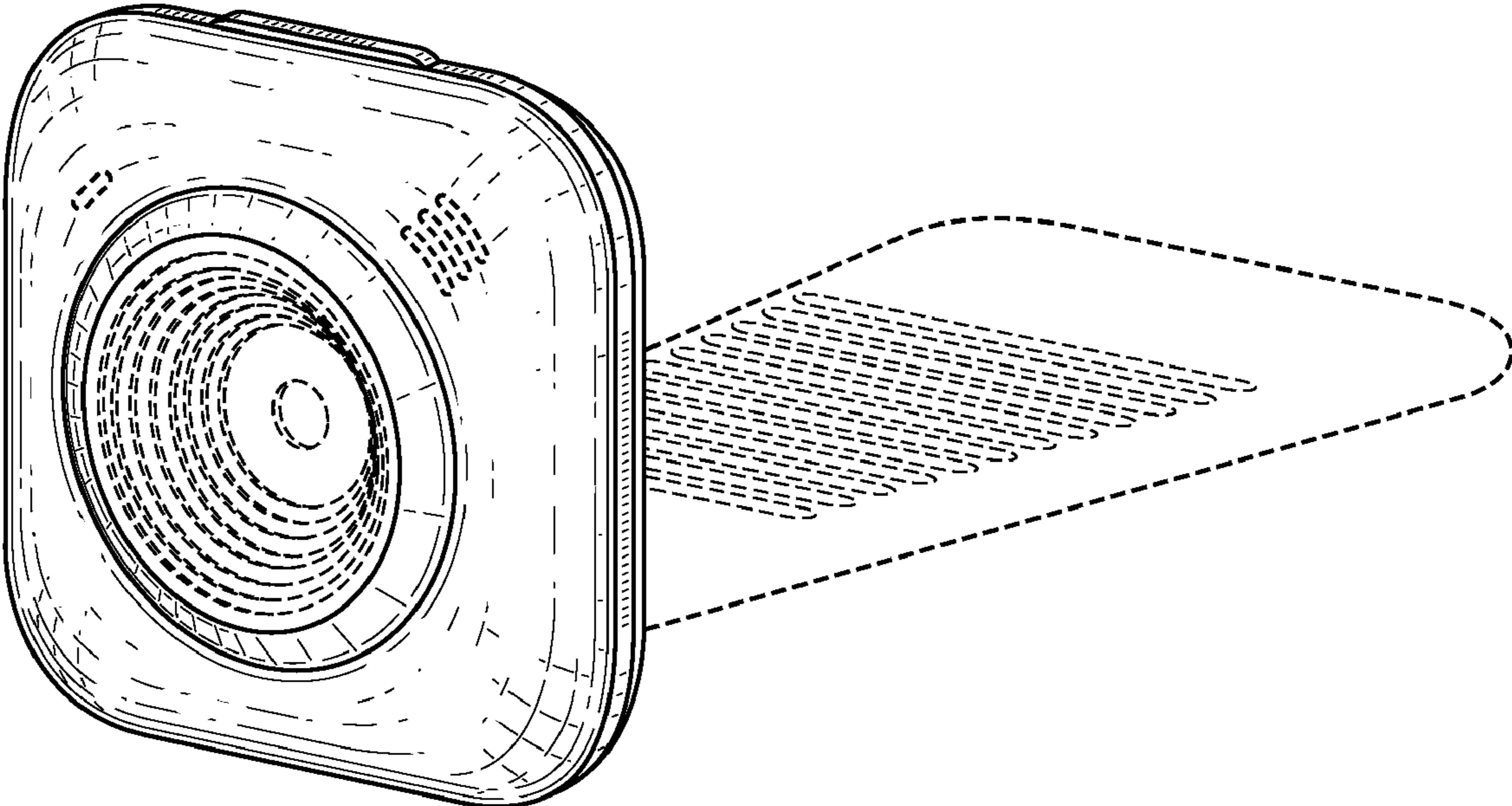


FIG. 1

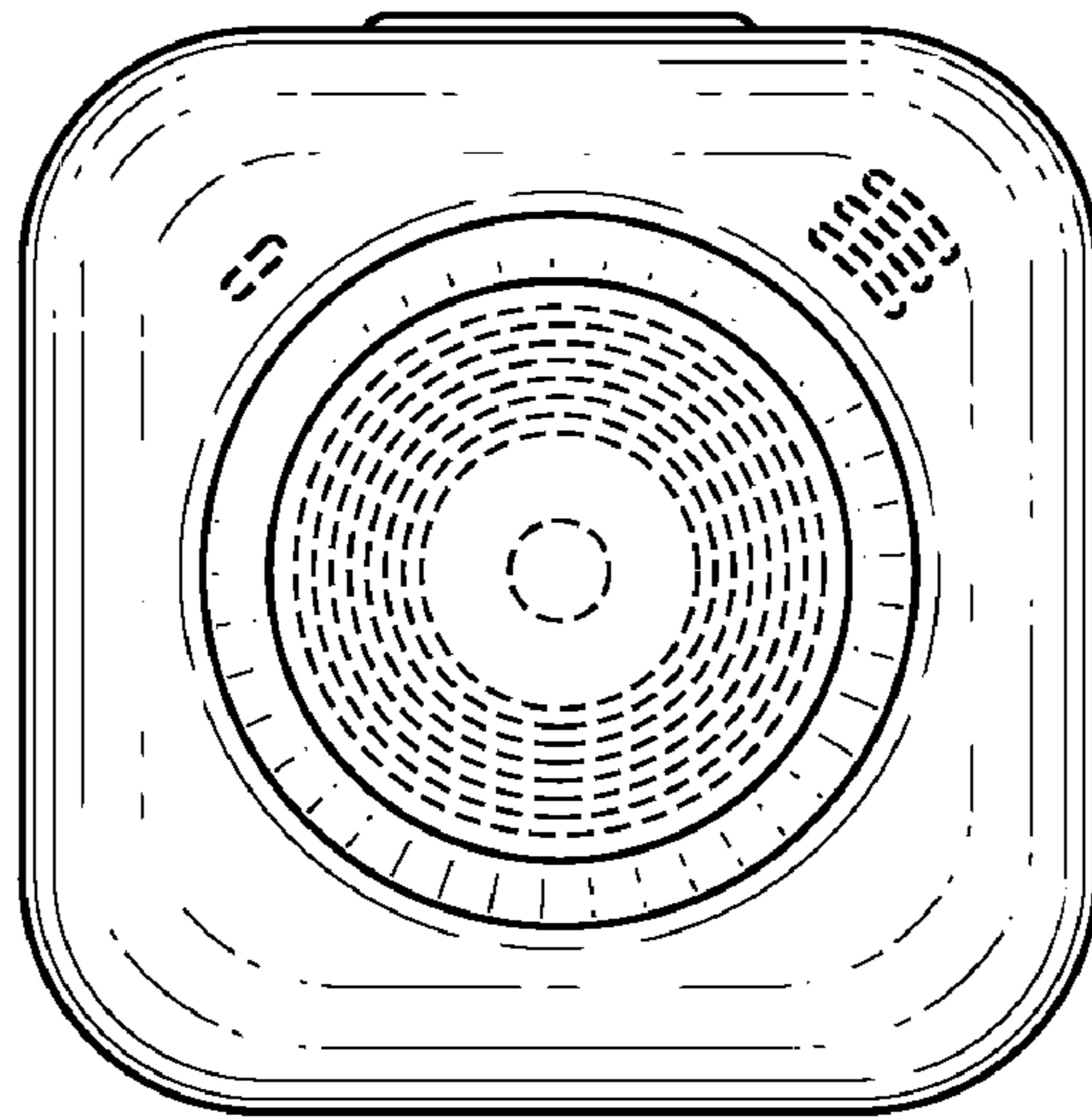


FIG. 2

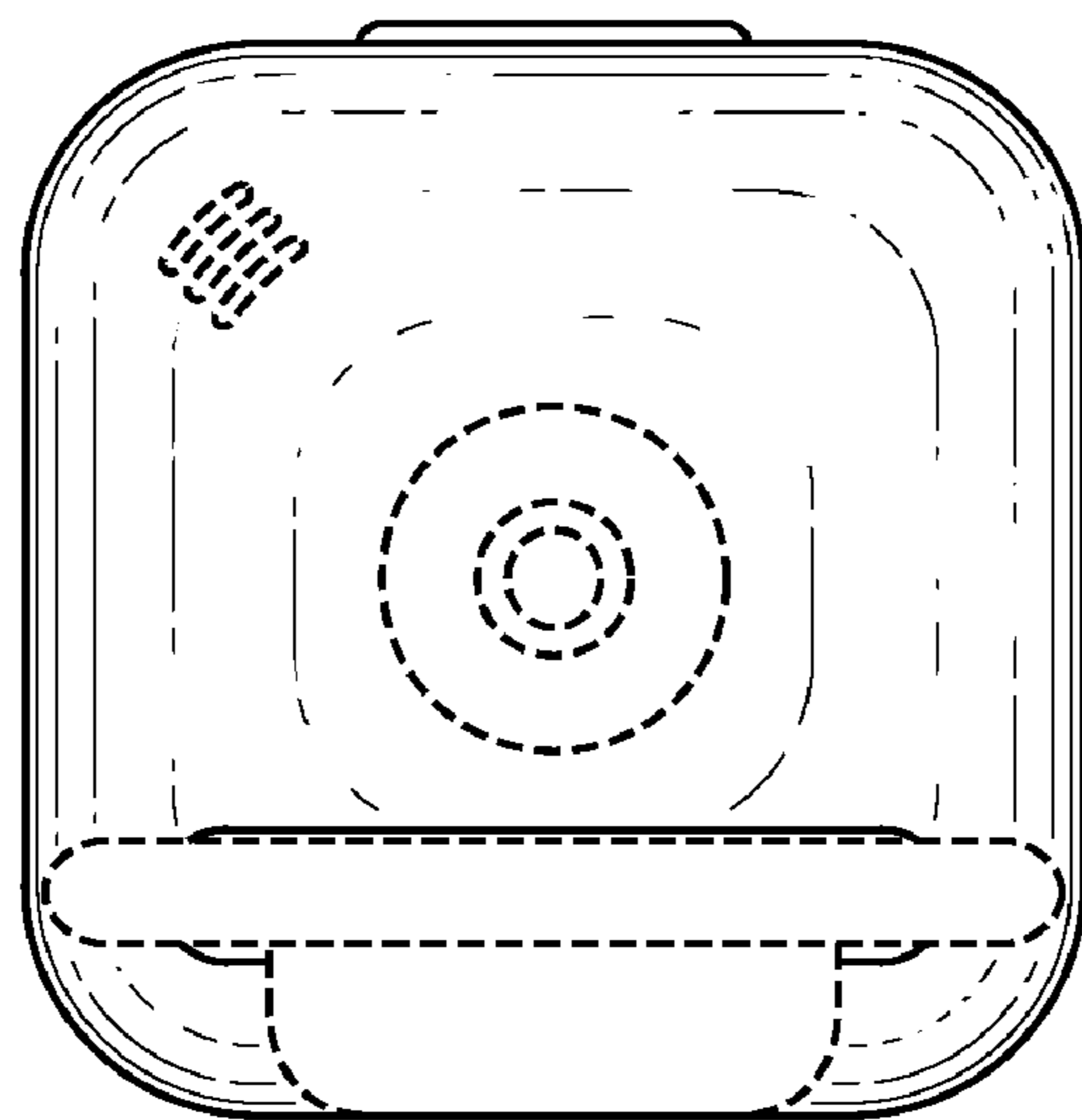


FIG. 3

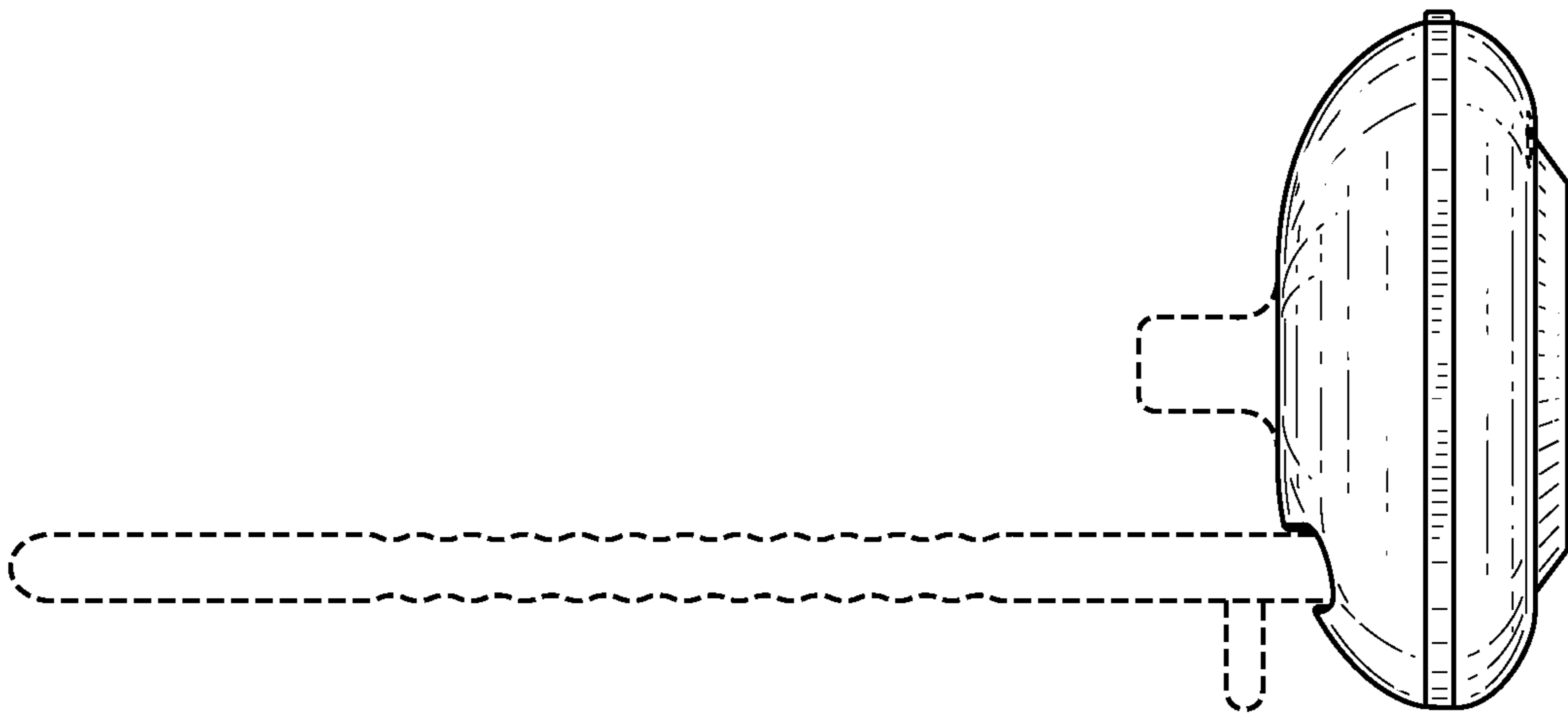


FIG. 4

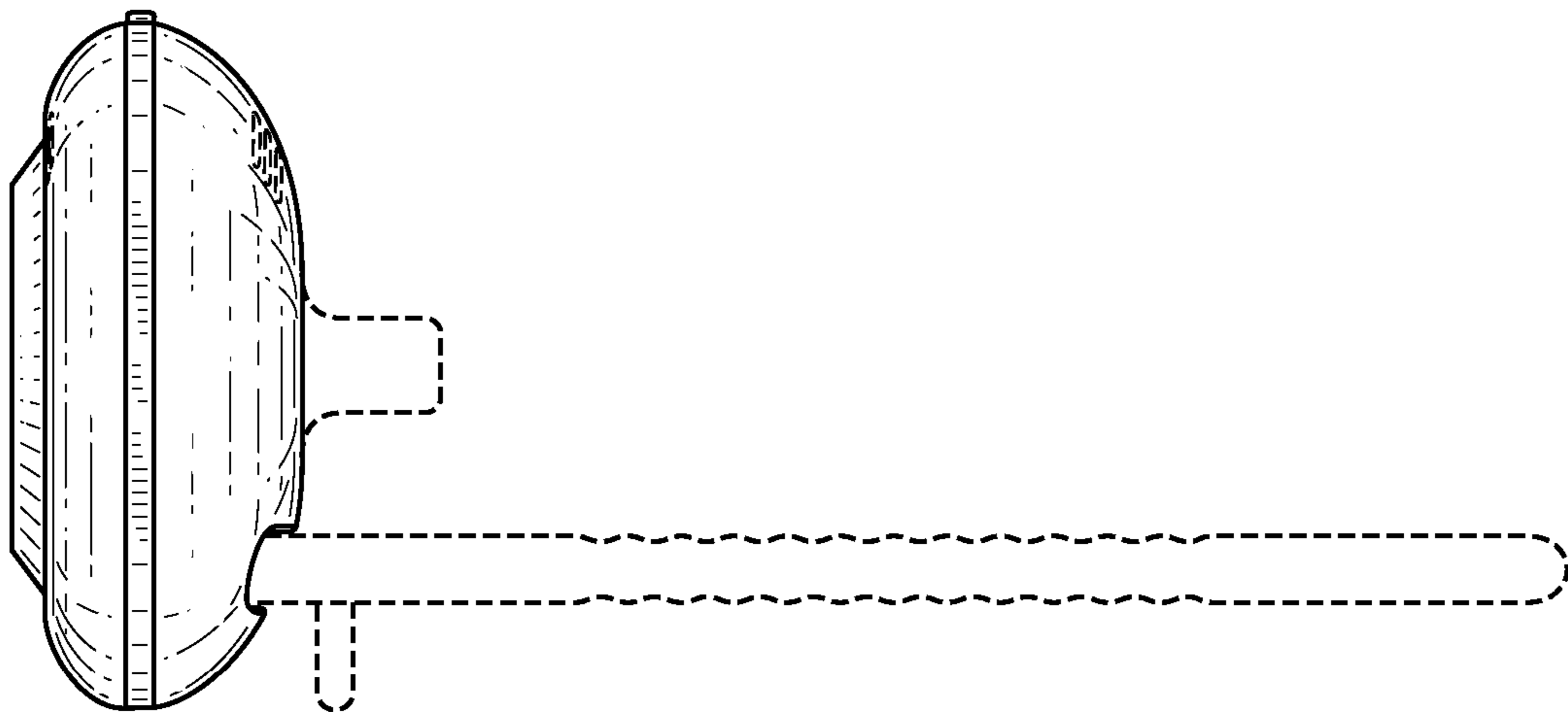


FIG. 5

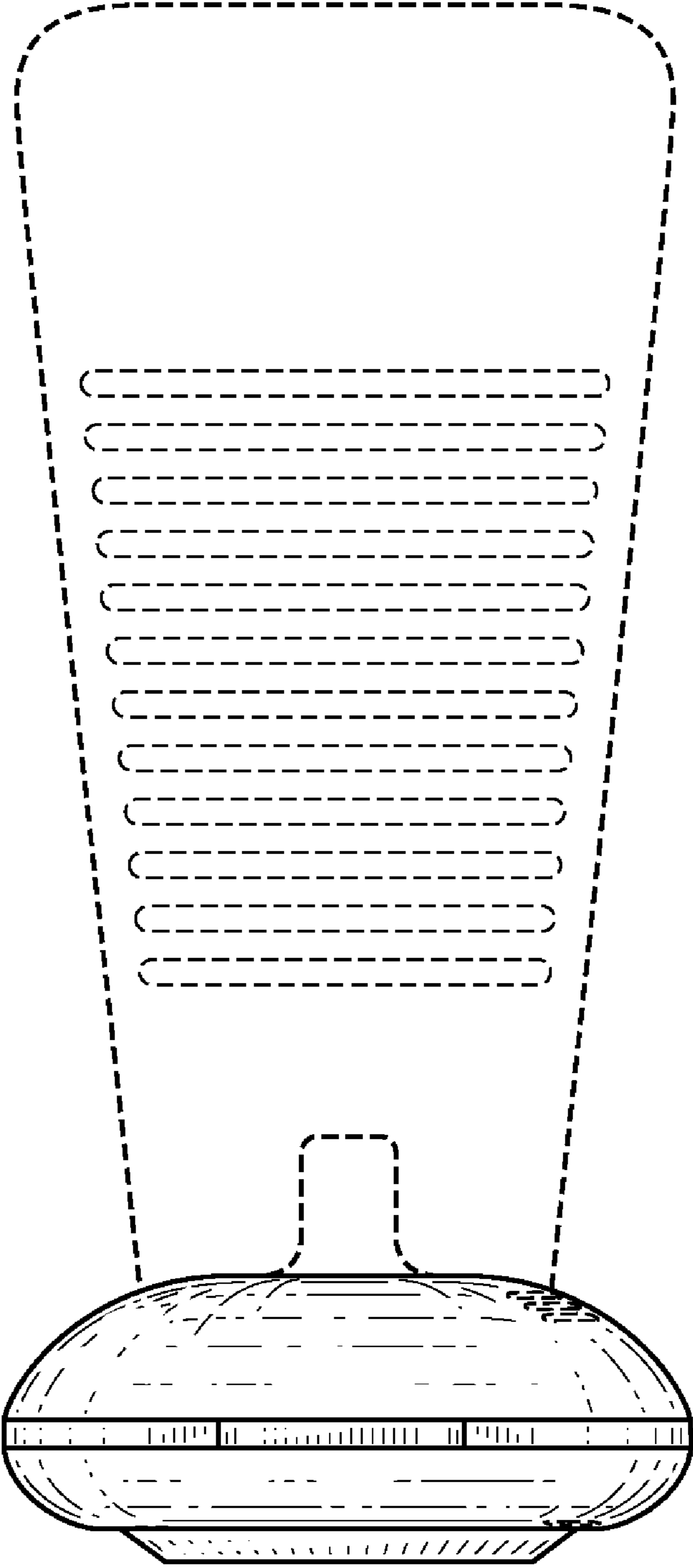


FIG. 6

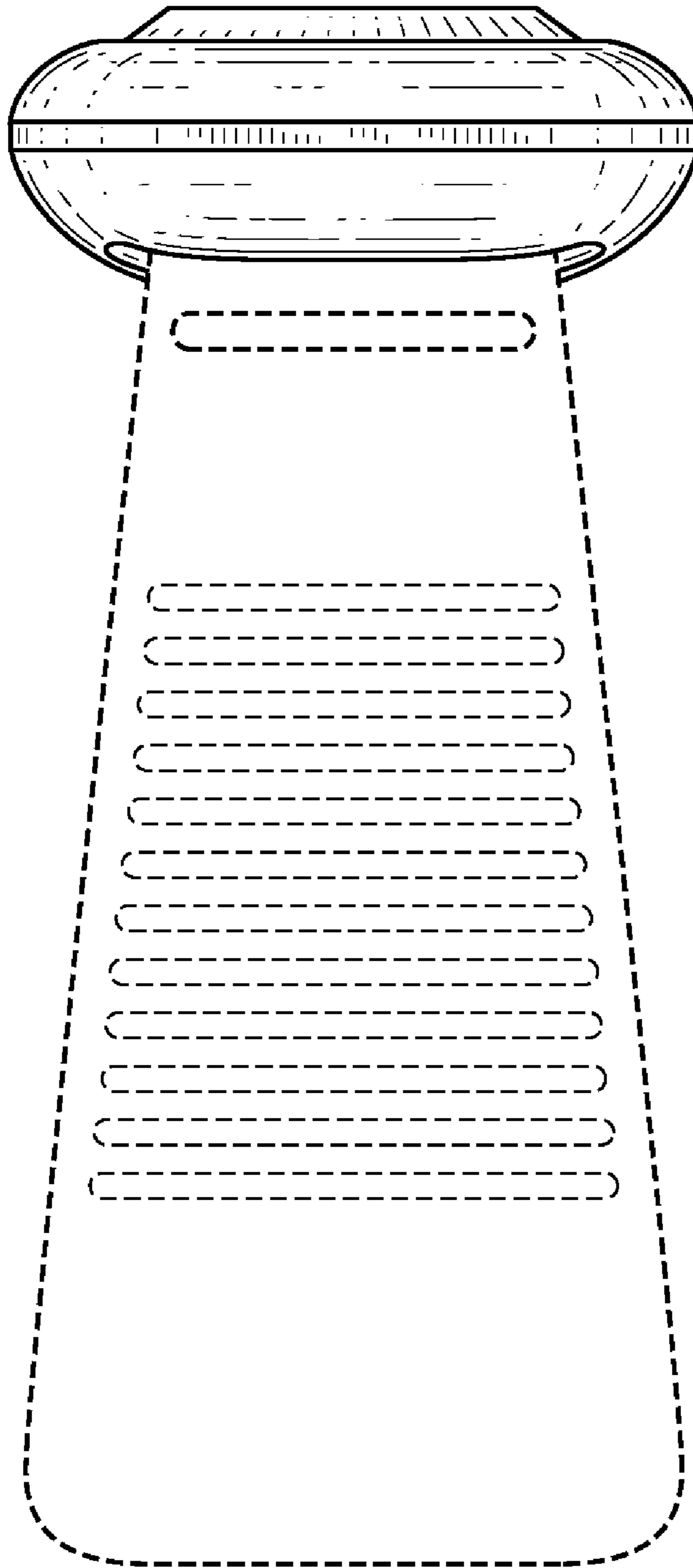


FIG. 7