



US00D592232S

(12) **United States Design Patent**  
**Matsuda**

(10) **Patent No.:** **US D592,232 S**  
(45) **Date of Patent:** **\*\* May 12, 2009**

(54) **SINGLE-LENS REFLEX DIGITAL CAMERA**

D566,156 S \* 4/2008 Tainaka ..... D16/219

(75) Inventor: **Takashi Matsuda**, Saitama (JP)

\* cited by examiner

(73) Assignee: **PENTAX Corporation**, Tokyo (JP)

*Primary Examiner*—Adir Aronovich  
(74) *Attorney, Agent, or Firm*—Sughrue Mion PLLC

(\*\*) Term: **14 Years**

(21) Appl. No.: **29/305,358**

(22) Filed: **Mar. 19, 2008**

(57) **CLAIM**

The ornamental design for a single-lens reflex digital camera, as shown and described.

(30) **Foreign Application Priority Data**

**DESCRIPTION**

Sep. 21, 2007 (JP) ..... 2007-025670

(51) **LOC (9) Cl.** ..... **16-05**

(52) **U.S. Cl.** ..... **D16/219; D16/217**

(58) **Field of Classification Search** ..... D16/200–206,  
D16/208, 217, 218, 219; 348/373–376; 396/354–359,  
396/535–541

See application file for complete search history.

FIG. 1 is a perspective view of the bottom, front and right side of a single-lens reflex digital camera showing my new design; FIG. 2 is a perspective view of the top, front and left side thereof; FIG. 3 is a front elevational view thereof; FIG. 4 is a rear elevational view thereof; FIG. 5 is a left side elevational view thereof; FIG. 6 is a right side elevational view thereof; FIG. 7 is a top plan view thereof; and, FIG. 8 is bottom plan view thereof.

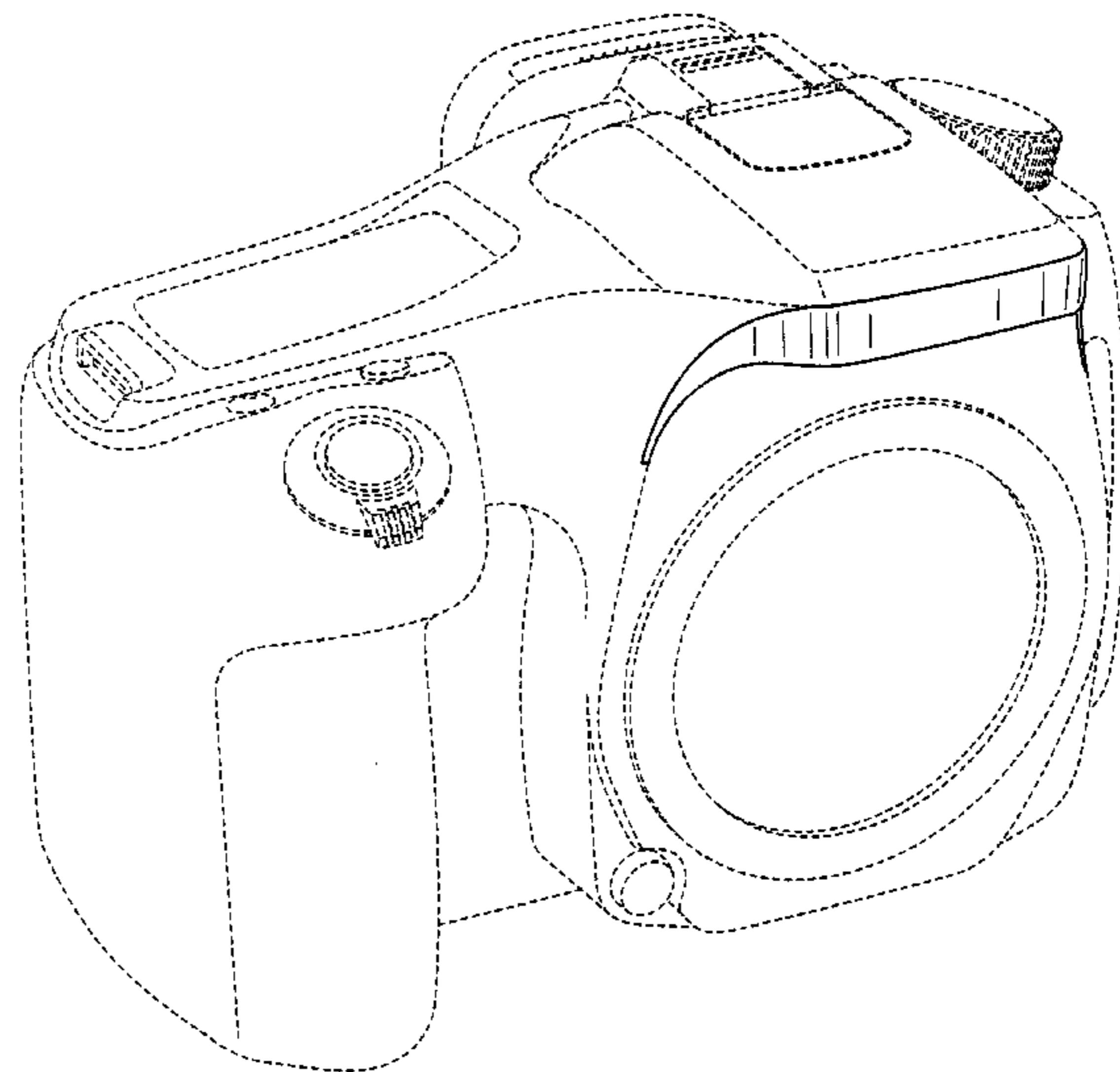
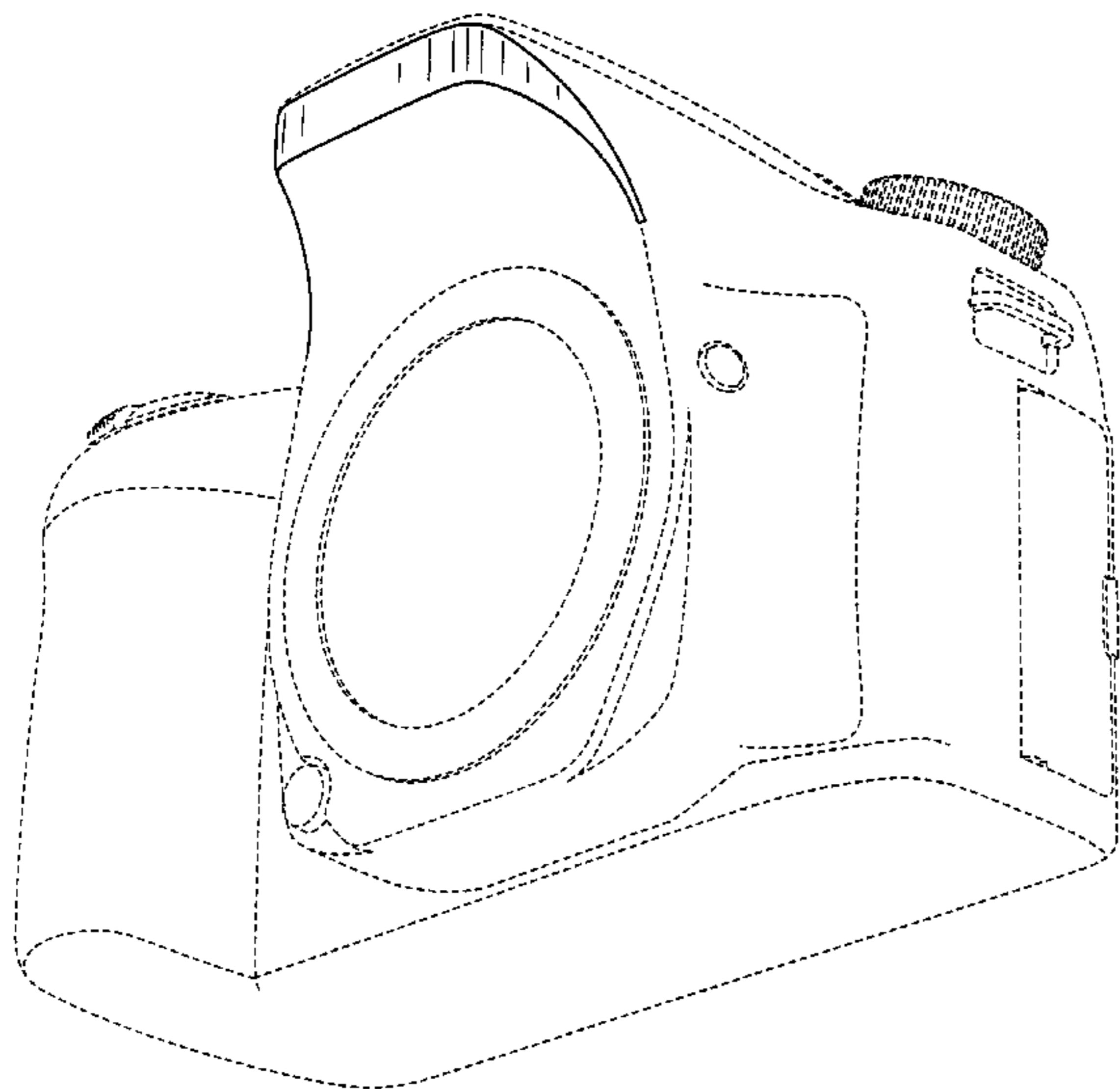
The portions shown in broken lines are for illustrative purposes only and form no part of the claimed design.

(56) **References Cited**

**U.S. PATENT DOCUMENTS**

- D433,435 S \* 11/2000 Hamamura ..... D16/219
- 7,182,529 B2 \* 2/2007 Kurosawa ..... 396/358
- D542,321 S \* 5/2007 Takahashi ..... D16/217
- D557,308 S 12/2007 Matsuda
- D561,806 S \* 2/2008 Funakoshi et al. .... D16/217

**1 Claim, 8 Drawing Sheets**



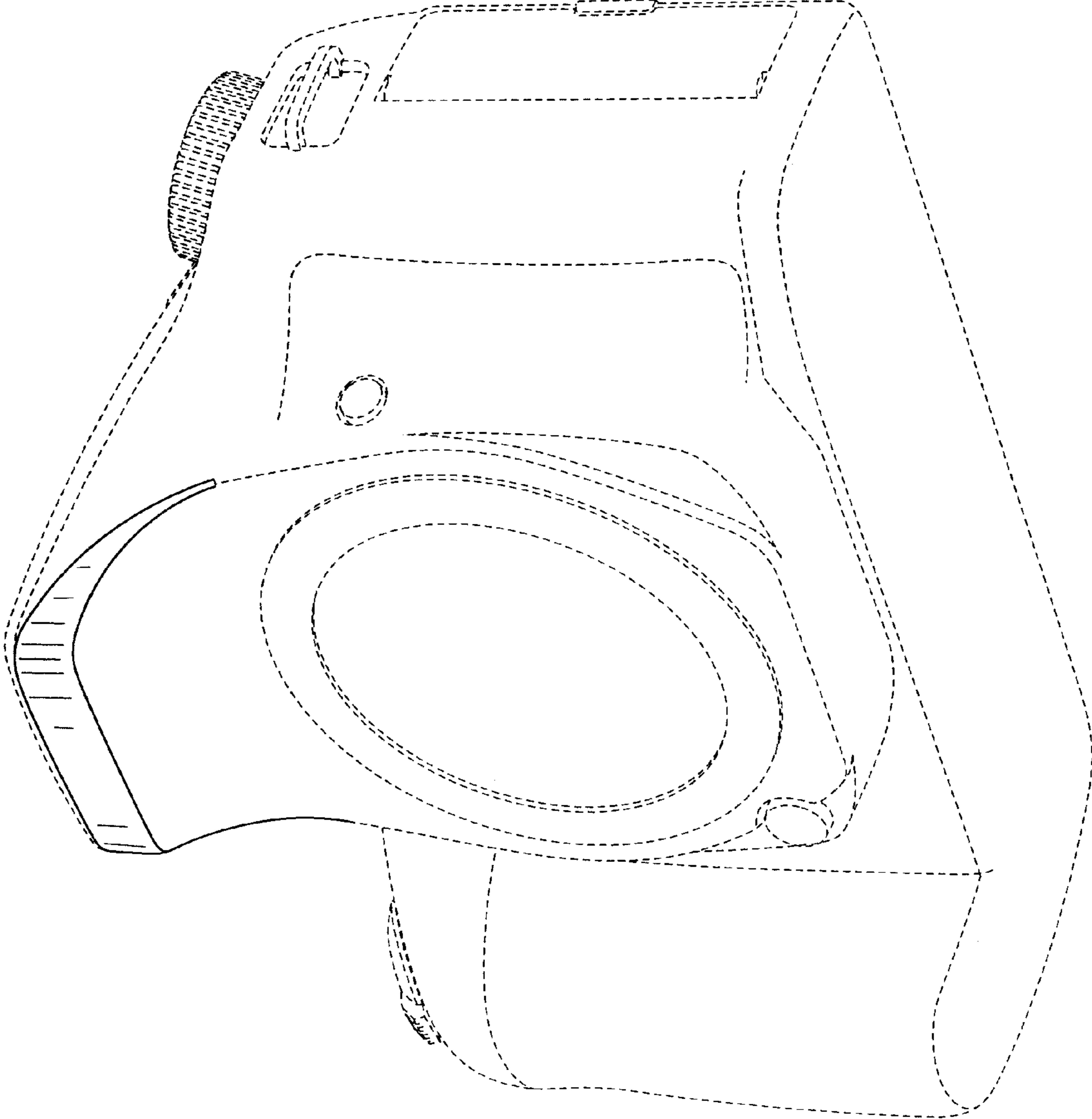


FIG. 1

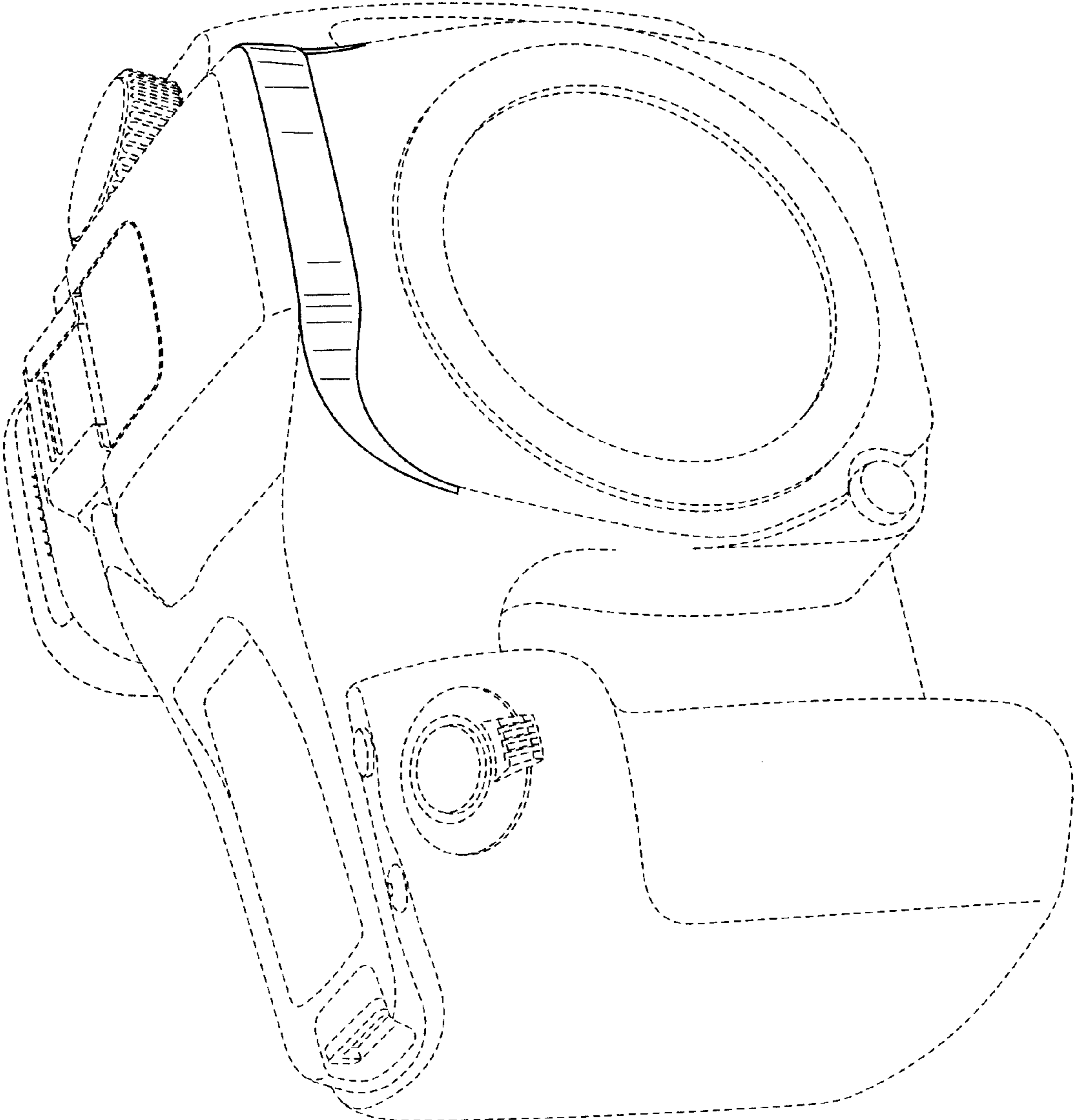


FIG. 2

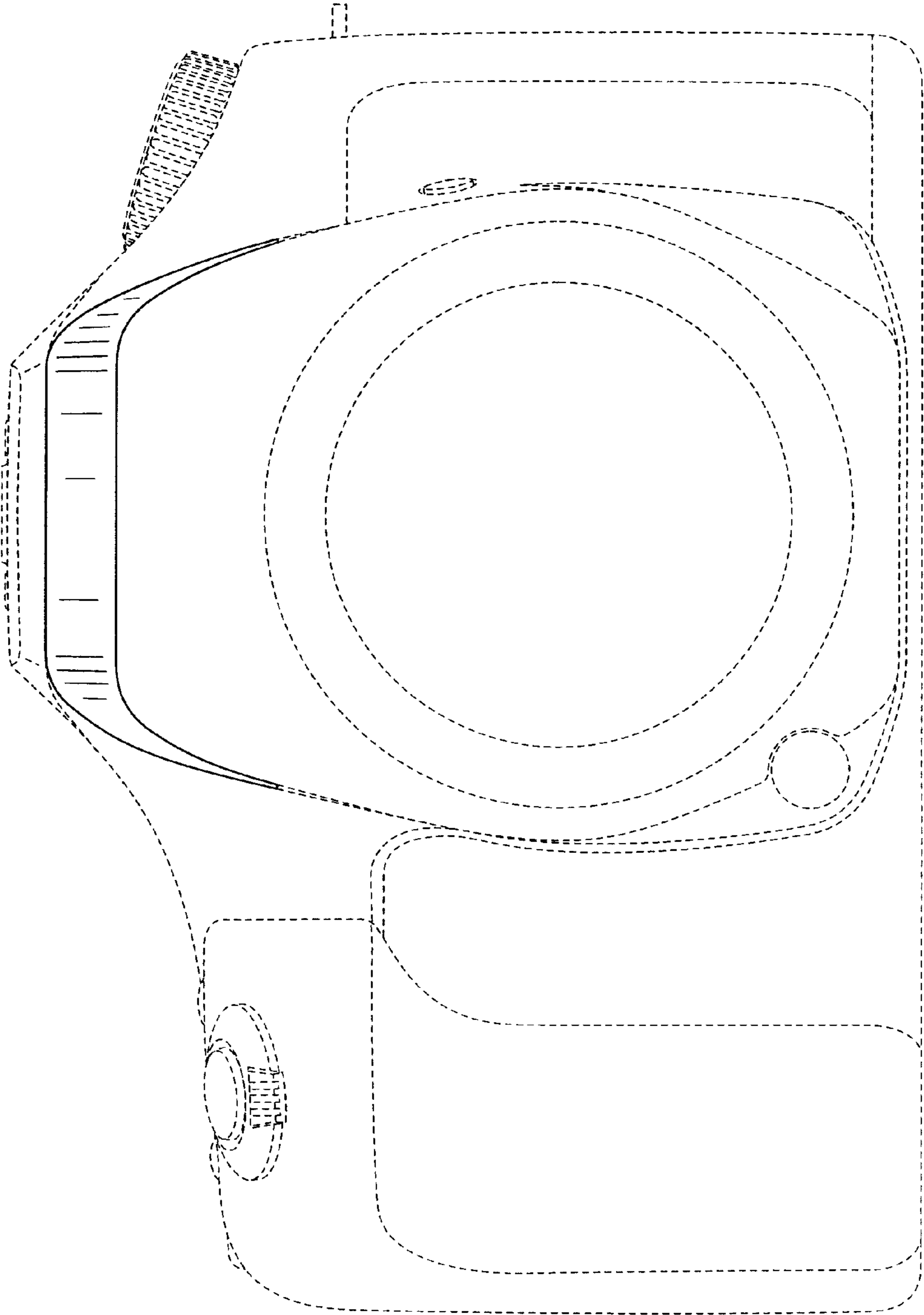


FIG. 3

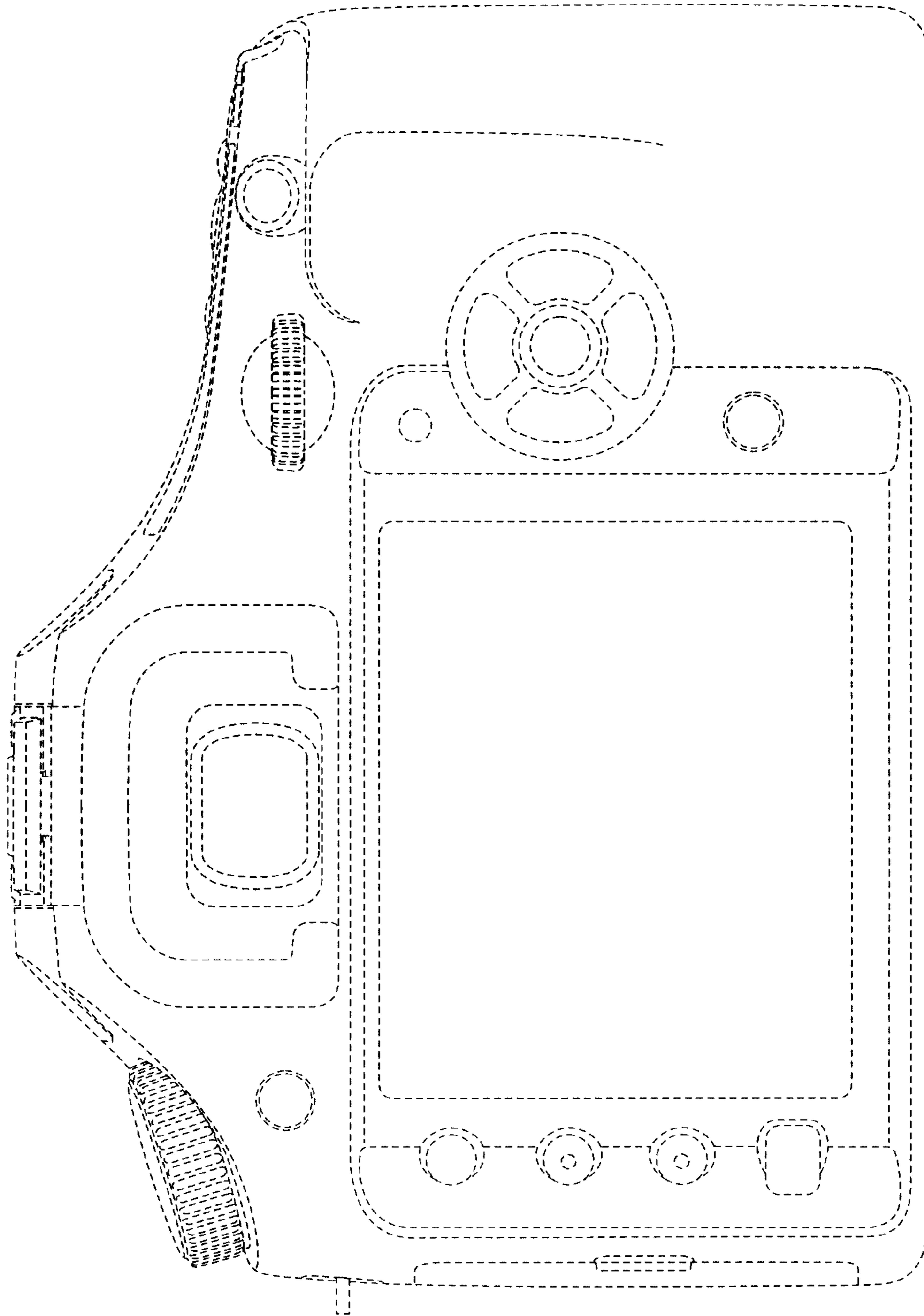
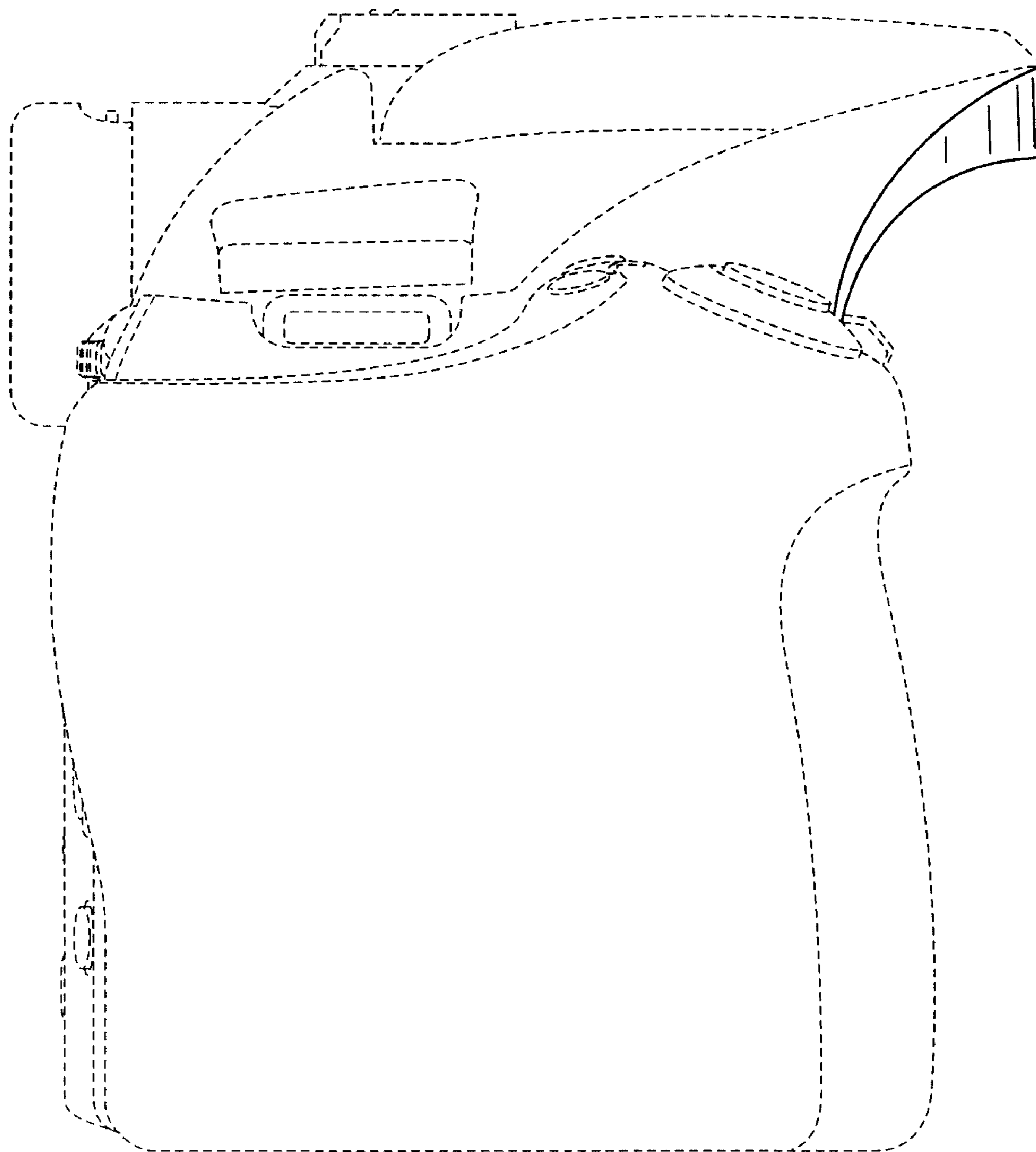
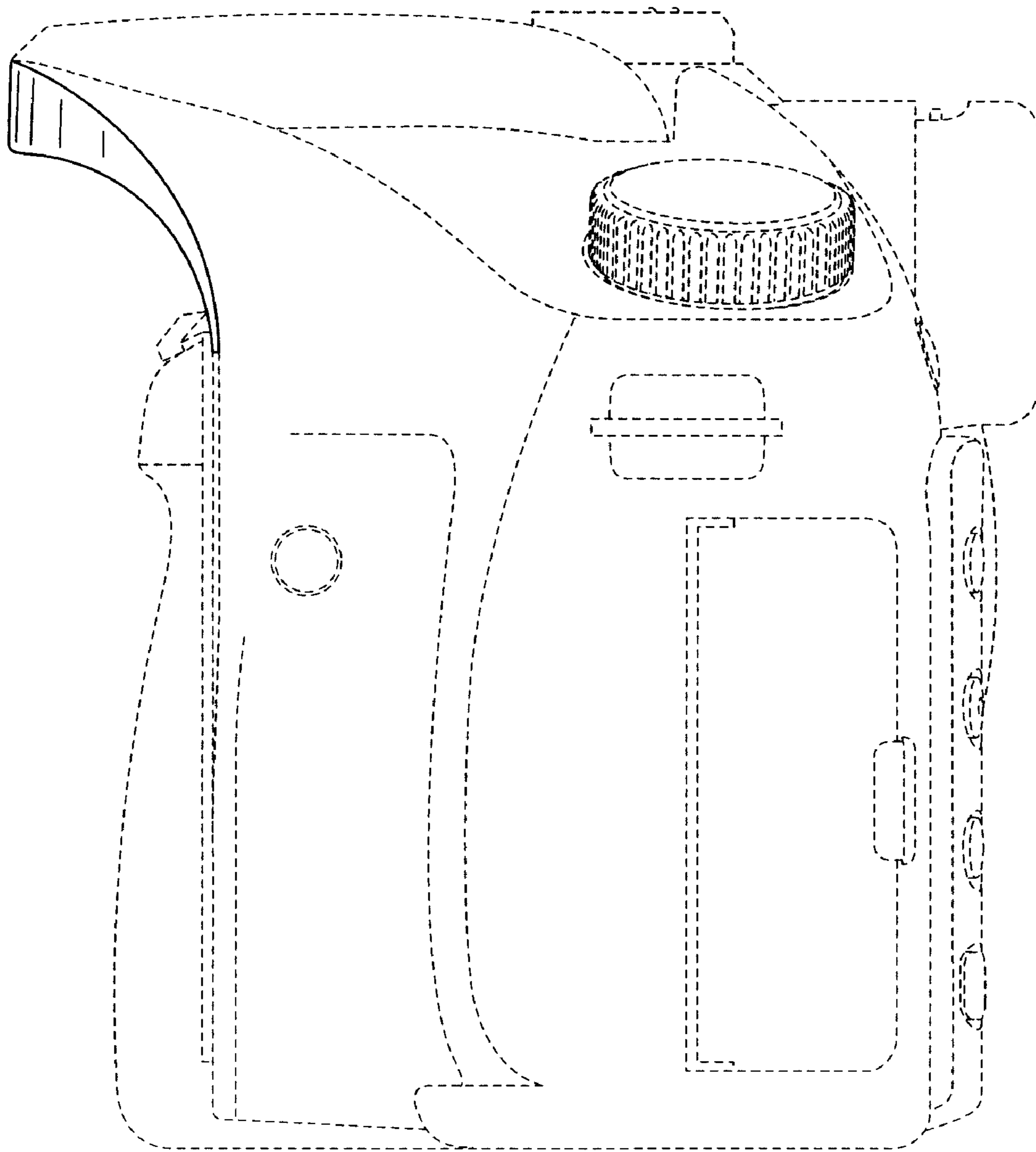


FIG. 4



**FIG. 5**



**FIG. 6**

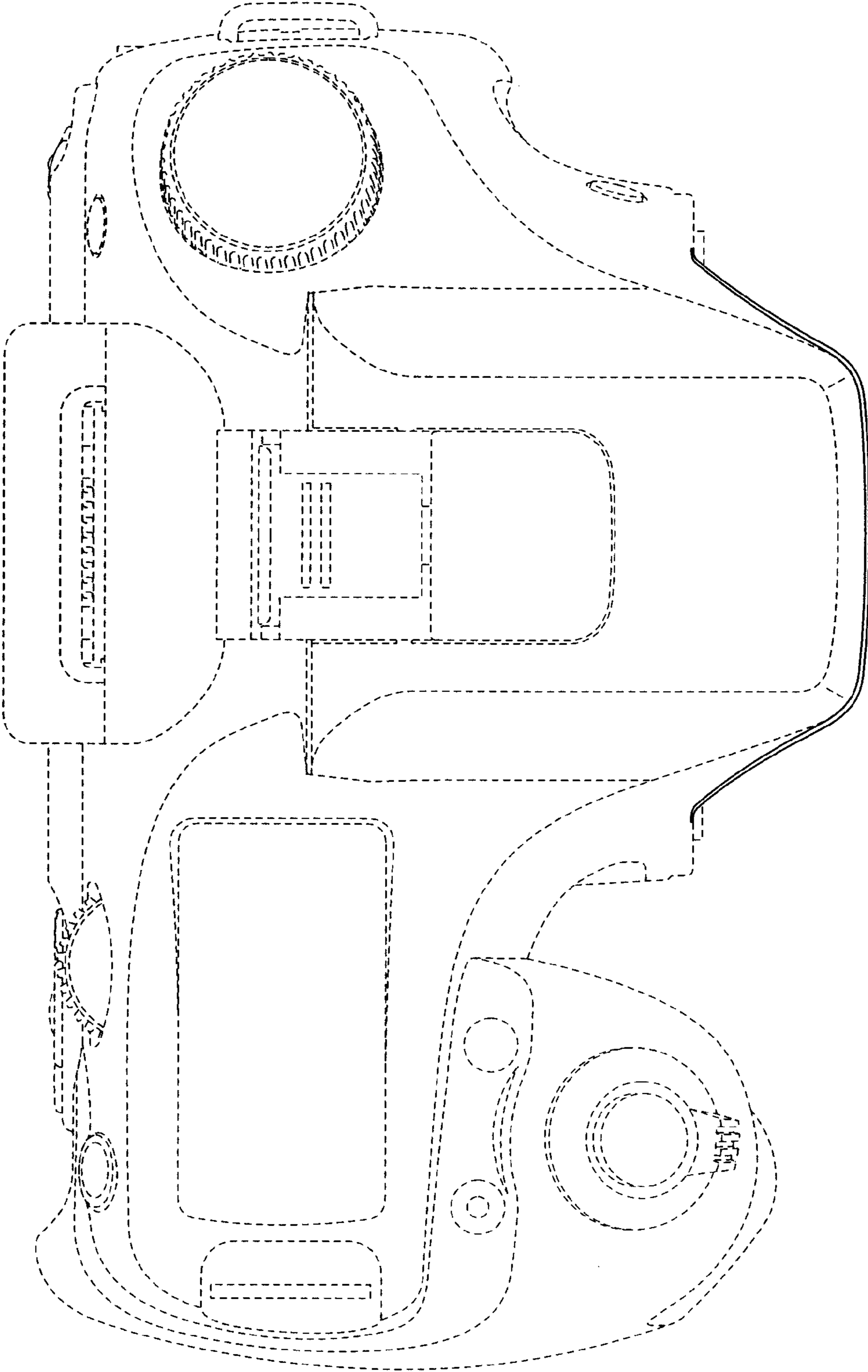


FIG. 7



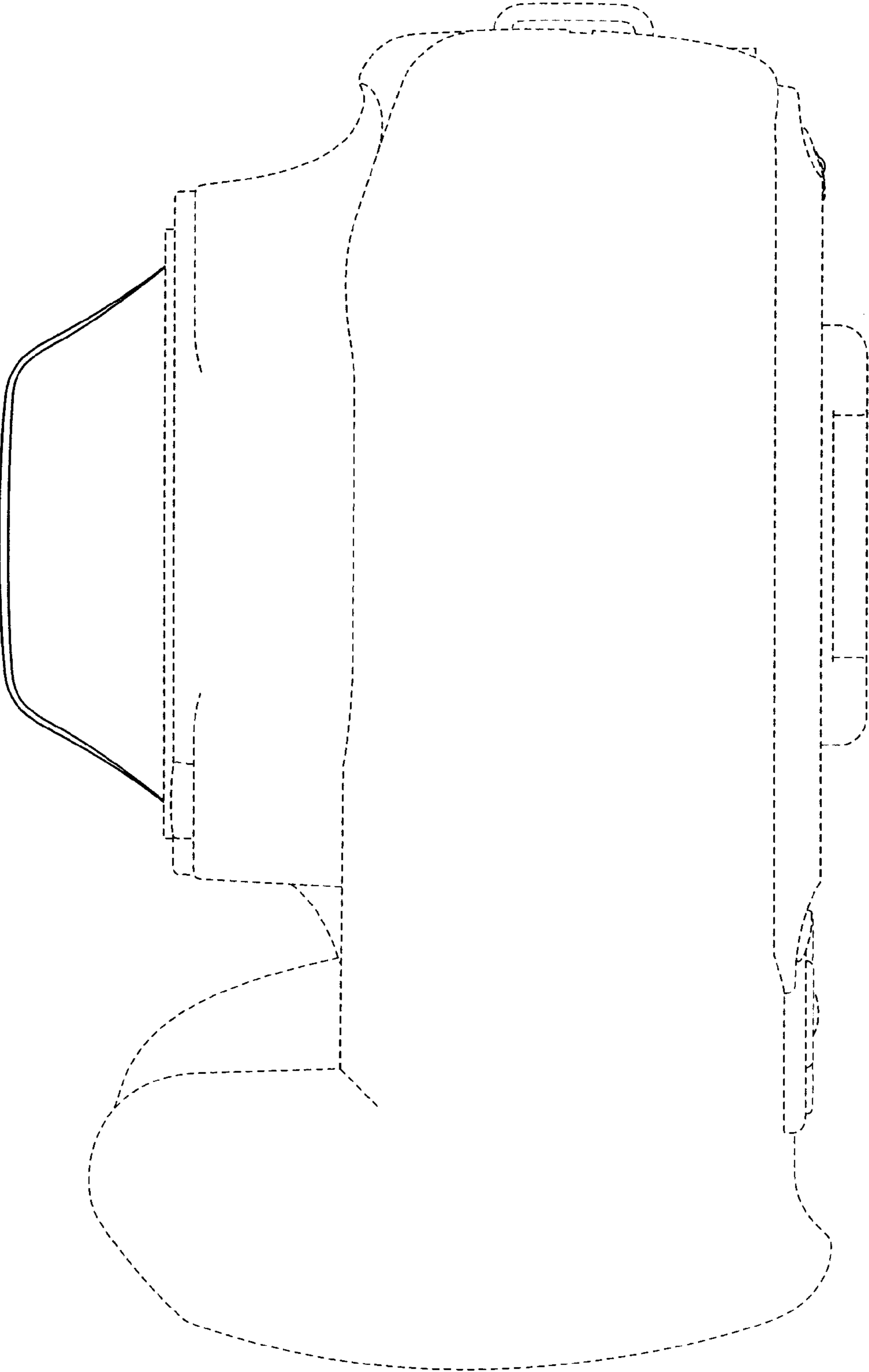


FIG. 8