



US00D592228S

(12) **United States Design Patent**
Davis

(10) **Patent No.:** **US D592,228 S**

(45) **Date of Patent:** **** May 12, 2009**

(54) **PIPELAYER**

(75) Inventor: **Daniel E. Davis**, San Benito, TX (US)

(73) Assignee: **Volvo Construction Equipment AB**,
Eskilstuna (SE)

(**) Term: **14 Years**

(21) Appl. No.: **29/281,801**

(22) Filed: **Jul. 2, 2007**

Related U.S. Application Data

(63) Continuation of application No. 10/548,768, filed as application No. PCT/US03/07613 on Mar. 11, 2003.

(51) **LOC (9) Cl.** **12-09**

(52) **U.S. Cl.** **D15/24**

(58) **Field of Classification Search** D15/10,
D15/22-26; D21/537; D34/33, 34, 36-37,
D34/28; 405/154.1, 184, 155, 184.1, 174,
405/184.4, 184.5; 212/180, 258, 261, 289,
212/294, 299; 414/745.4-745.6; 180/9.5
See application file for complete search history.

(56) **References Cited**

U.S. PATENT DOCUMENTS

3,265,218	A *	8/1966	Stefanutti	212/196
4,042,116	A *	8/1977	Bertolino	212/258
4,083,459	A *	4/1978	Allen	212/196
4,132,317	A *	1/1979	Arendt et al.	212/301

D252,231	S *	6/1979	Asano	D21/537
D263,051	S *	2/1982	Allen et al.	D15/24
4,362,435	A *	12/1982	Henry	405/184.5
4,666,049	A *	5/1987	Gilmore, Jr.	212/175
4,946,051	A *	8/1990	Cliff	212/258
4,966,290	A *	10/1990	Ejchler et al.	212/258
D425,577	S *	5/2000	Bao	D21/537
6,609,622	B2 *	8/2003	Forsyth	212/258
6,843,619	B2 *	1/2005	Gelmi	405/184.5
6,893,189	B2 *	5/2005	Matsushita et al.	405/155

* cited by examiner

Primary Examiner—Stella M Reid

Assistant Examiner—Mark A Goodwin

(74) *Attorney, Agent, or Firm*—Hunton & Williams

(57) **CLAIM**

The ornamental design for a pipelayer, substantially as shown and described.

DESCRIPTION

FIG. 1 is a perspective view of the a pipelayer showing my new design with the body portion rotated 90 degrees.

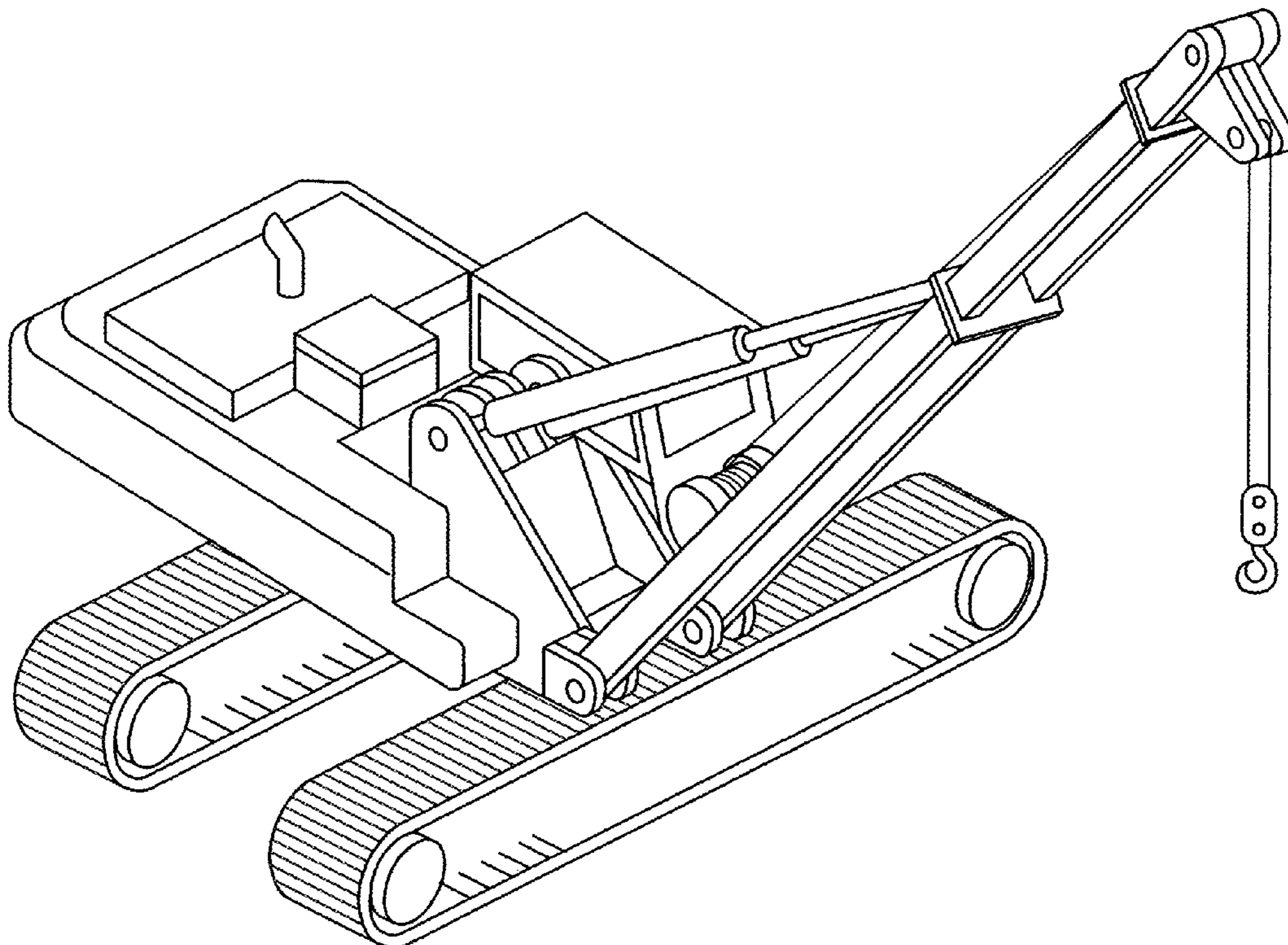
FIG. 2 is a side view thereof.

FIG. 3 is a front view thereof, with the body portion rotated 90 degrees; and,

FIG. 4 is a perspective view thereof as illustrated in FIG. 1.

The broken line showing is included for the purpose of illustration and forms no part of the claimed design.

1 Claim, 4 Drawing Sheets



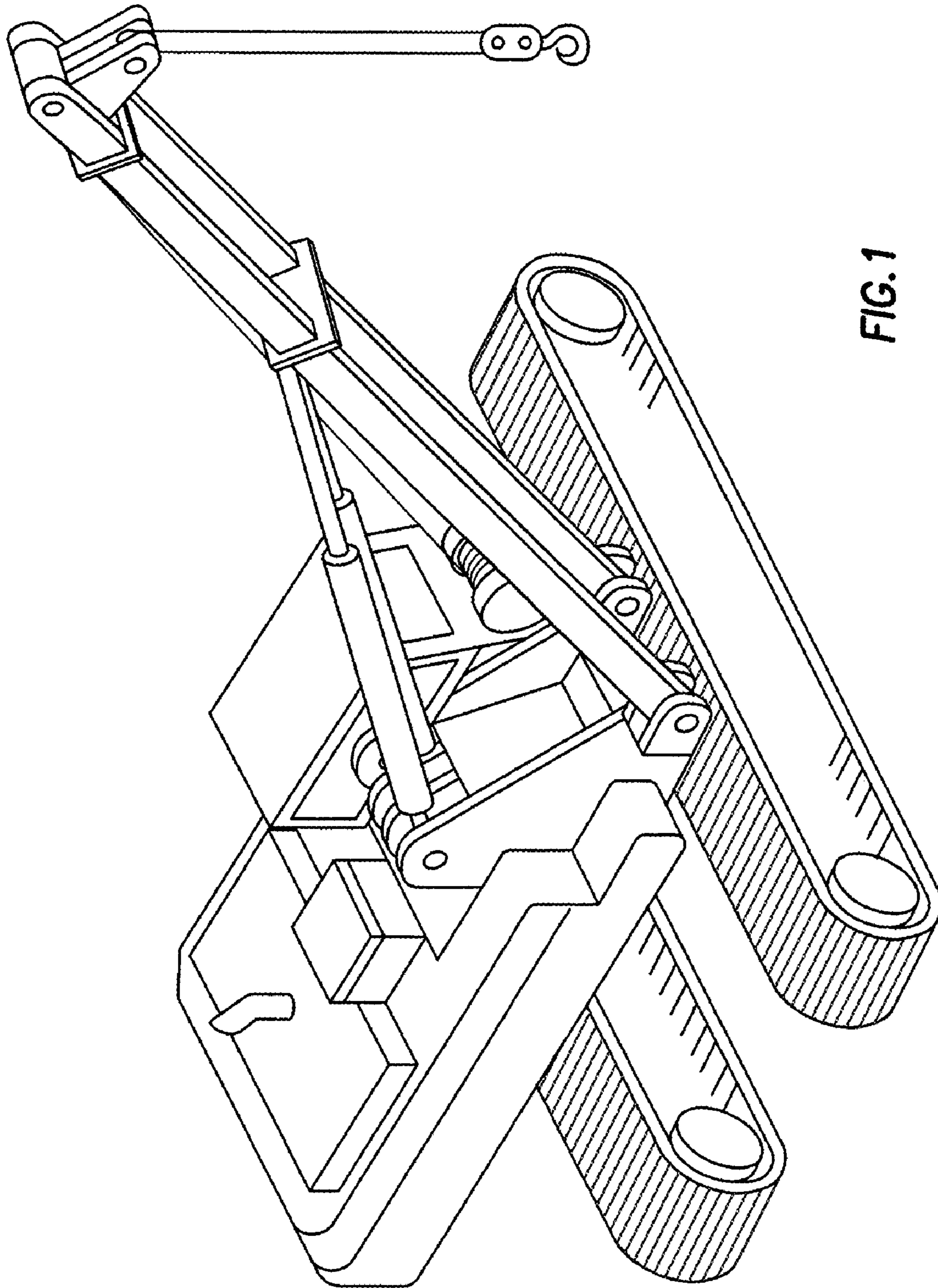


FIG. 1

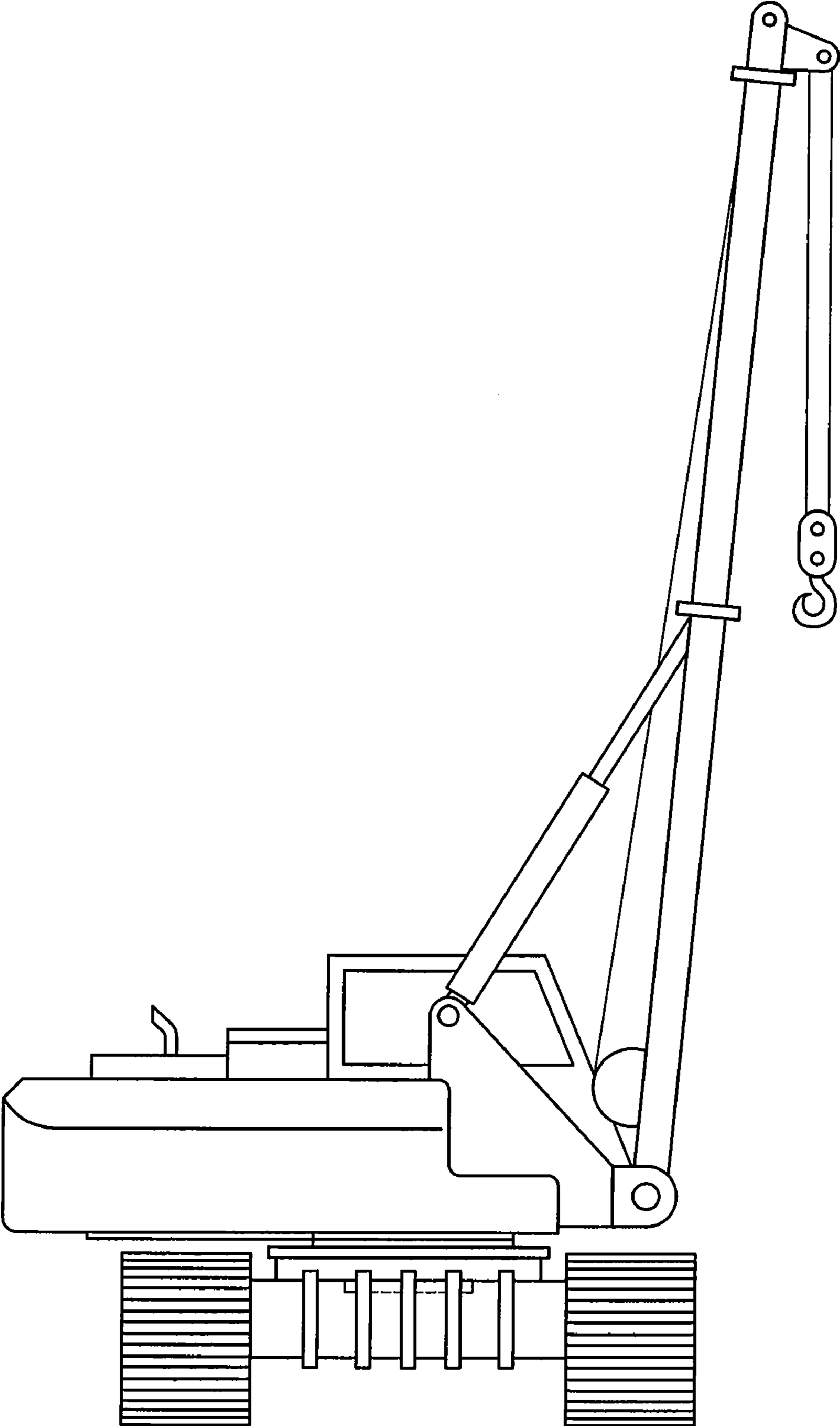


FIG.2

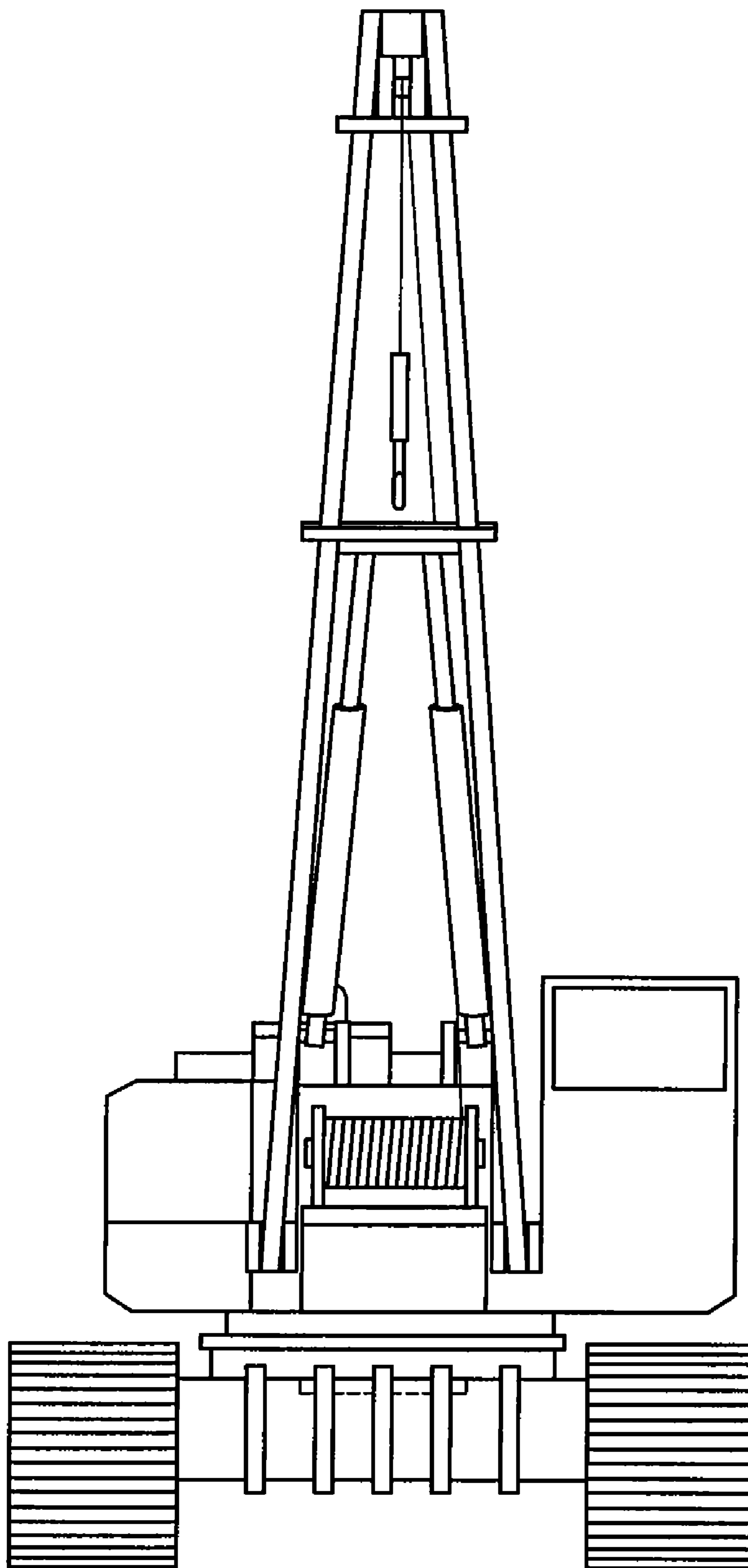


FIG.3

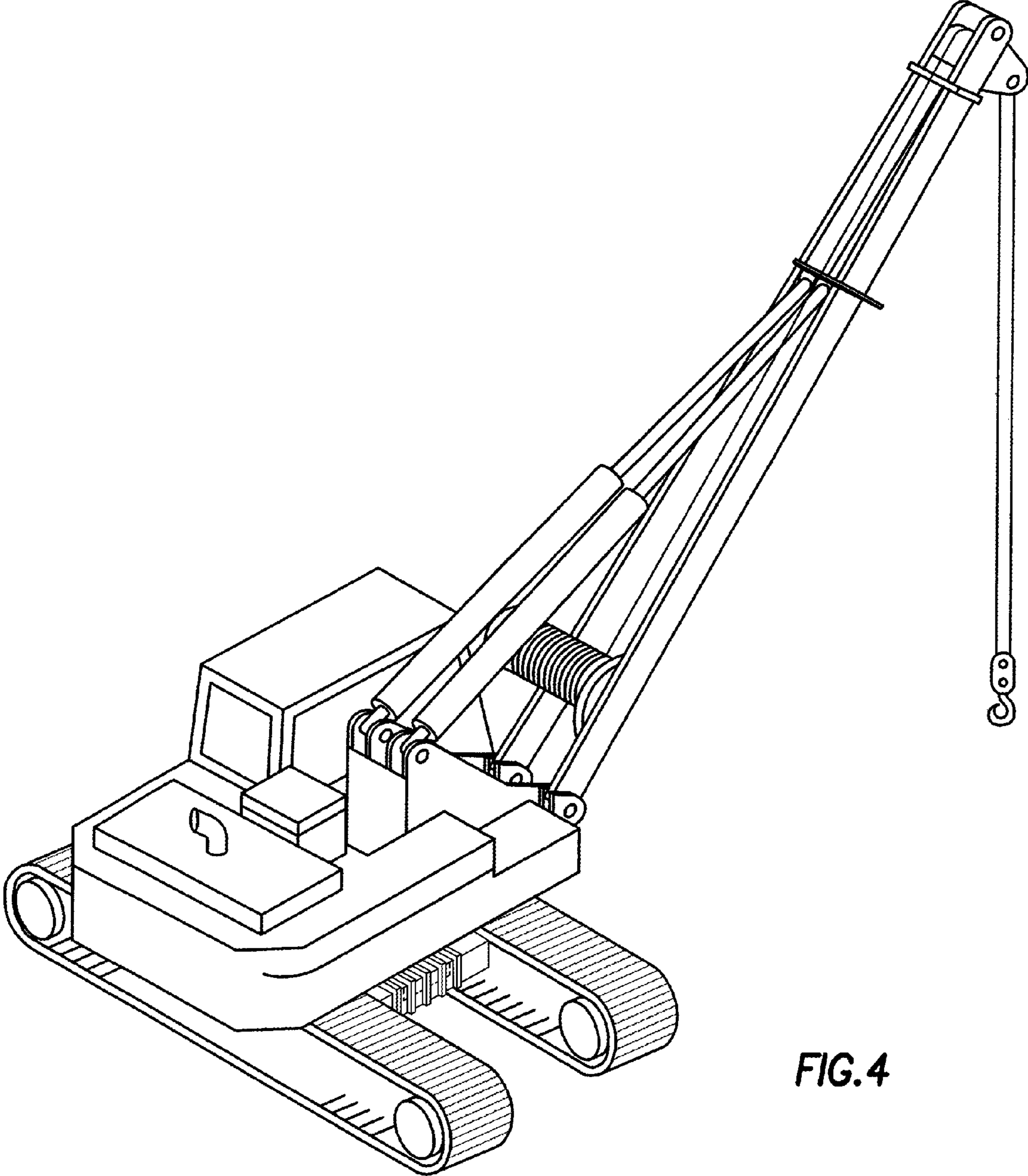


FIG. 4