

US00D592226S

(12) **United States Design Patent**
Cho et al.

(10) **Patent No.:** **US D592,226 S**

(45) **Date of Patent:** **** May 12, 2009**

(54) **AUDIO PROCESSOR**

(75) Inventors: **Mei San Gigi Cho**, Singapore (SG); **Hui Ling Gan**, Singapore (SG); **Kian Choon Janle Lim**, Singapore (SG); **Wee Min Alfred Lau**, Singapore (SG)

(73) Assignee: **Creative Technology Ltd**, Singapore (SG)

(**) Term: **14 Years**

(21) Appl. No.: **29/262,459**

(22) Filed: **Jun. 30, 2006**

(51) **LOC (9) Cl.** **14-03**

(52) **U.S. Cl.** **D14/496**

(58) **Field of Classification Search** D14/496,
D14/401, 435, 474, 483, 217, 137, 138, 160,
D14/168; 345/156, 169, 173-179, 905; 715/727-729,
715/864; 455/11.1, 7, 73, 344-347, 93, 95;
370/342-344; 369/1, 2, 6, 12; 463/43-47;
273/148 B

See application file for complete search history.

(56) **References Cited**

U.S. PATENT DOCUMENTS

6,593,914 B1 * 7/2003 Nuovo et al. 345/169
6,791,907 B2 * 9/2004 Berhan 369/7
D516,579 S * 3/2006 Nakamura D14/496

D521,023 S * 5/2006 Kim et al. D14/496
D526,331 S * 8/2006 Lee D14/496
D532,018 S * 11/2006 Lee D14/496
D540,818 S * 4/2007 Reawsanguanwong et al. .. D14/
496
D543,554 S * 5/2007 Dai D14/496
D553,640 S * 10/2007 Kimura et al. D14/496
D555,169 S * 11/2007 Shimizu et al. D14/496

* cited by examiner

Primary Examiner—Prabhakar Deshmukh

(74) *Attorney, Agent, or Firm*—Kennedy Koblin

(57) **CLAIM**

The ornamental design for an audio processor, substantially as shown and described.

DESCRIPTION

FIG. 1 is a top view of an audio processor in accordance with the present design;

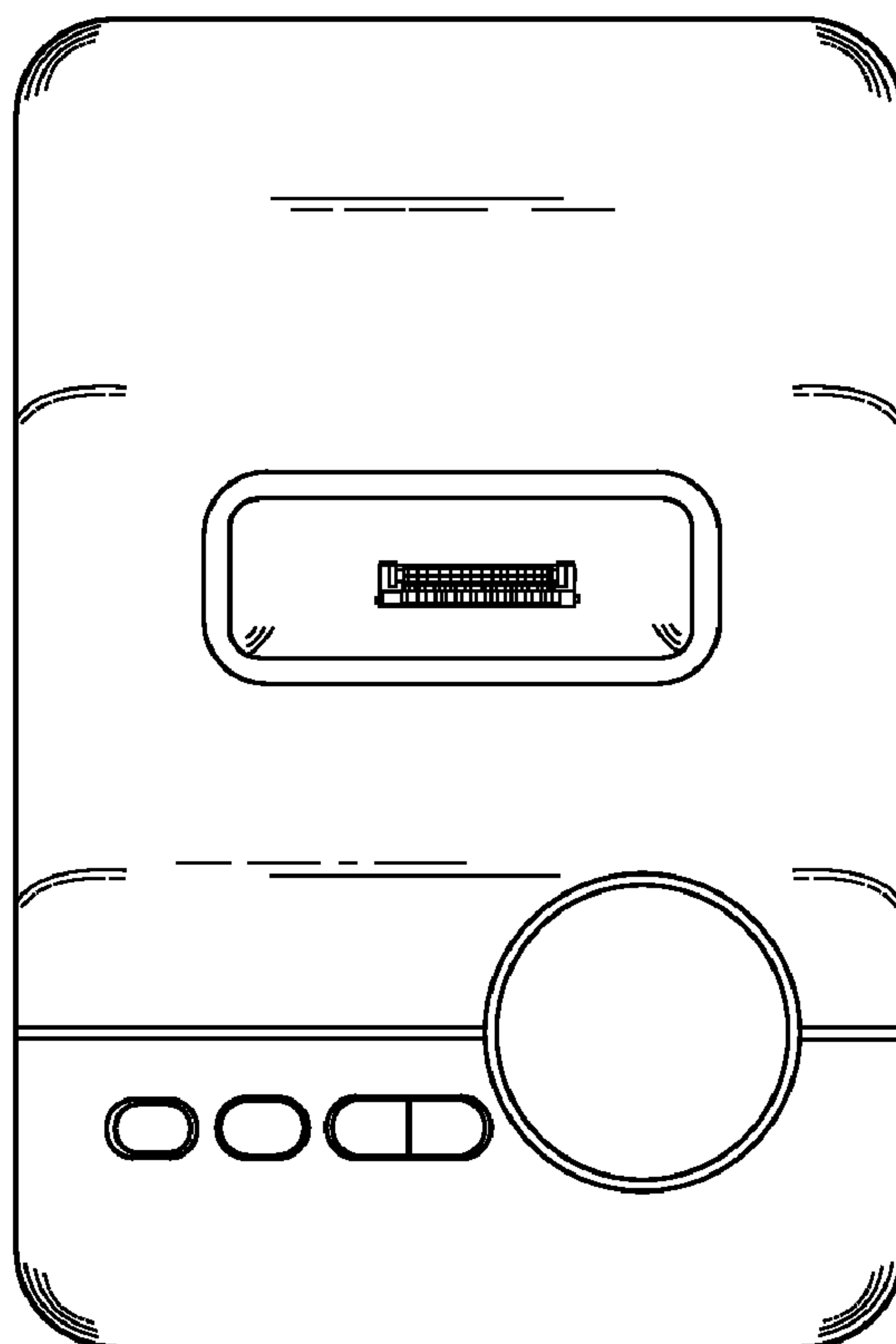
FIG. 2 is a left side view of the audio processor shown in FIG. 1;

FIG. 3 is a front view of the audio processor shown in FIG. 1;

FIG. 4 is a bottom view of the audio processor shown FIG. 1; and,

FIG. 5 is a right side view of the audio processor shown in FIG. 1.

1 Claim, 2 Drawing Sheets



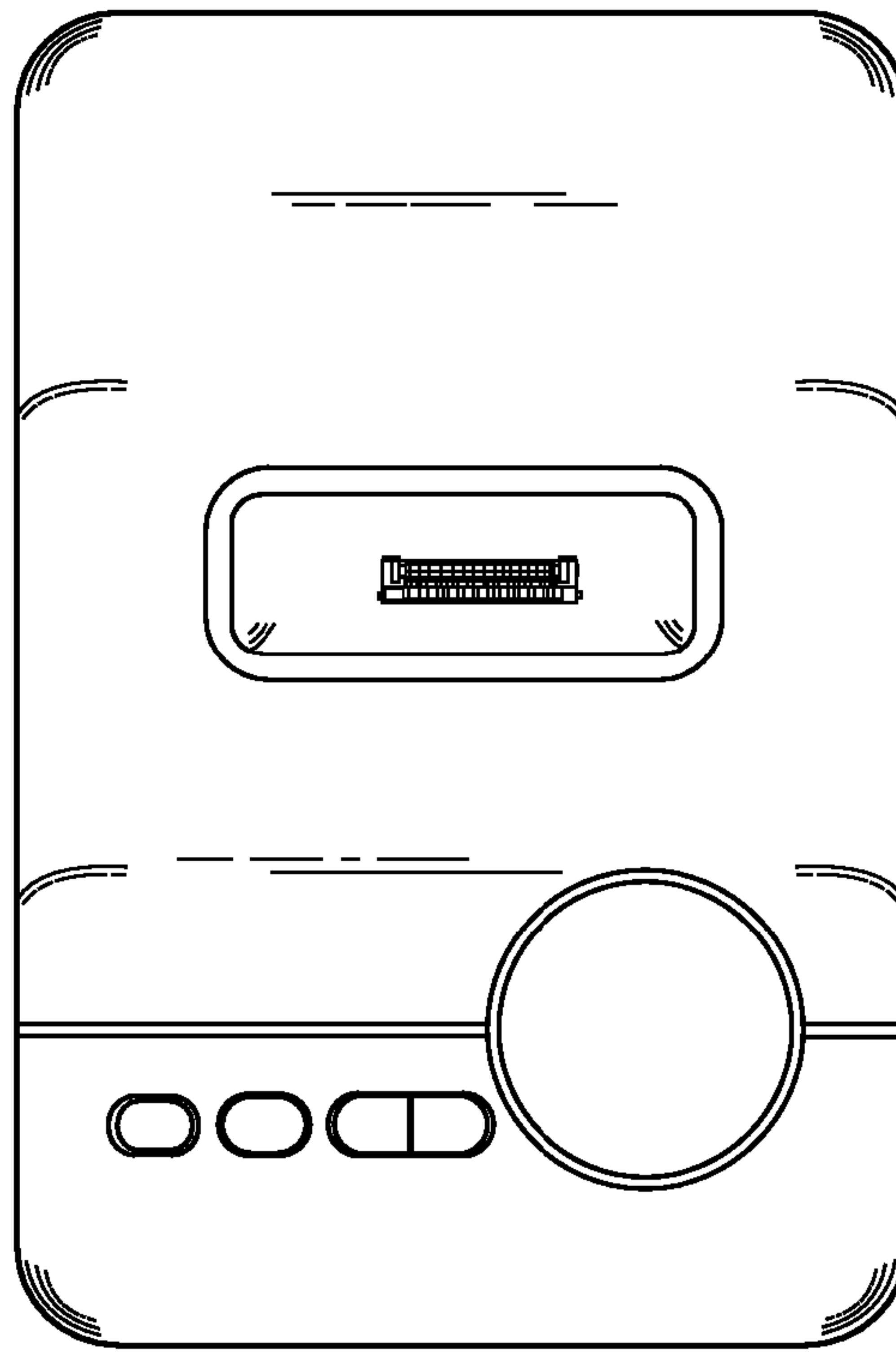


FIG. 1

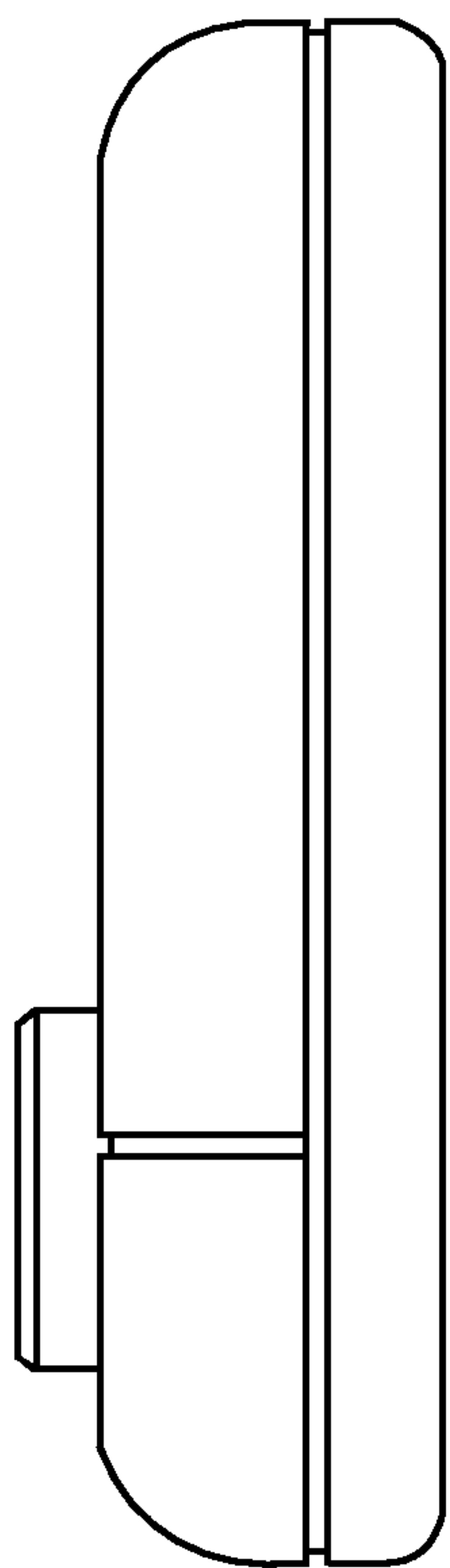


FIG. 2

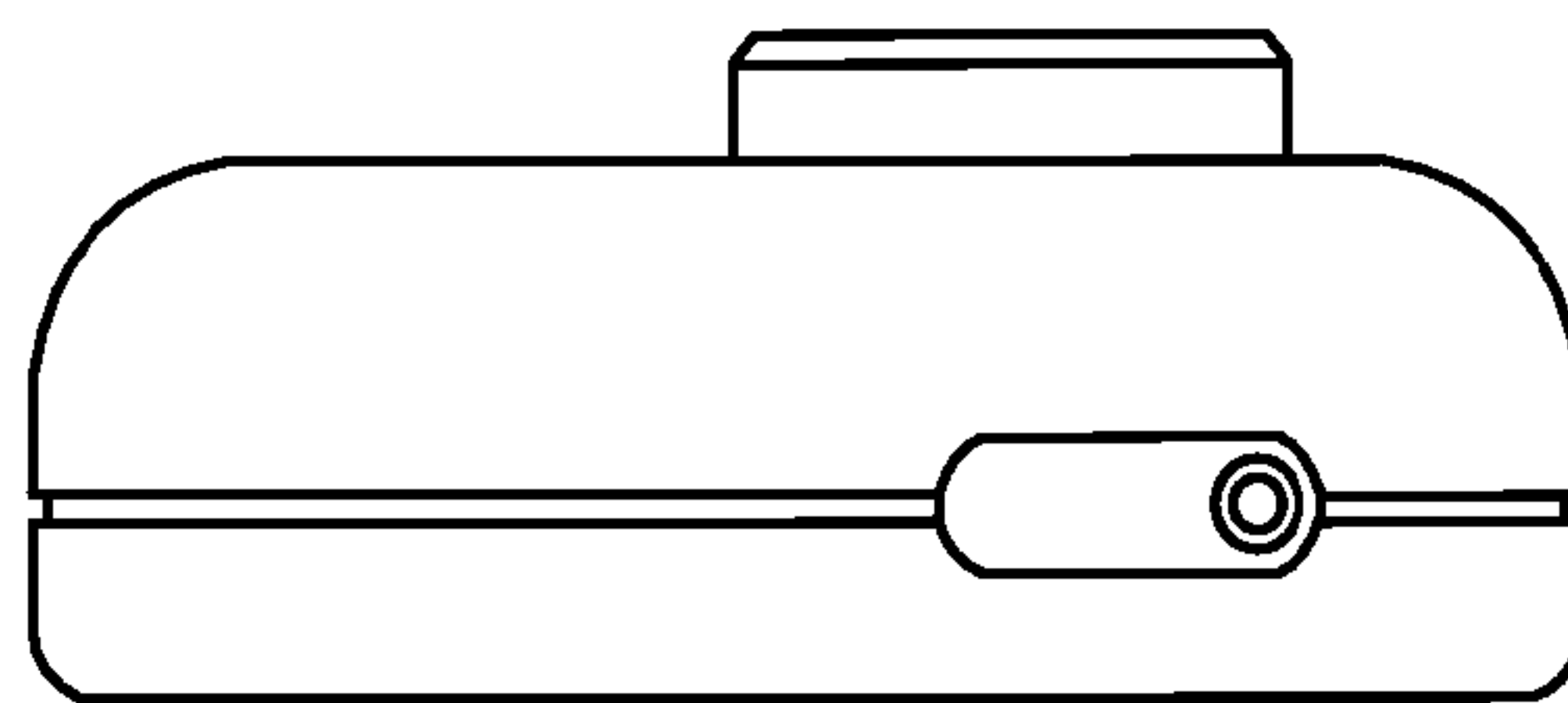


FIG. 3

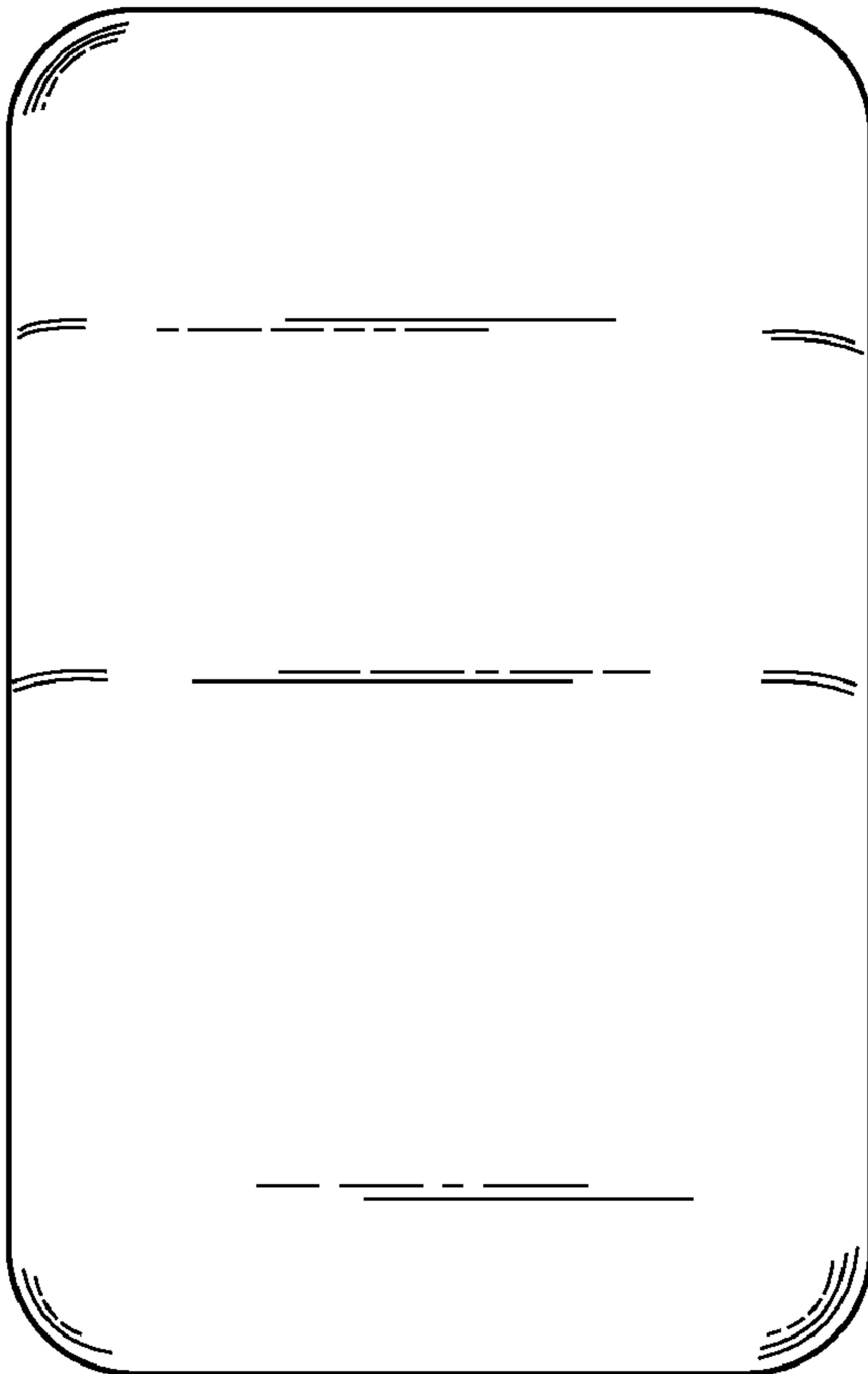


FIG. 4

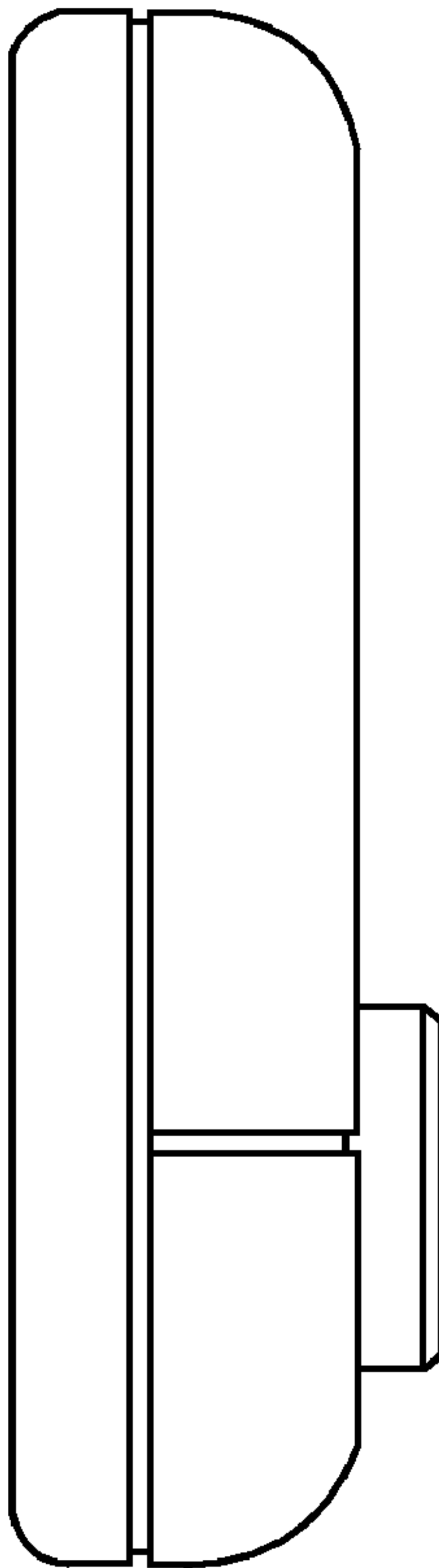


FIG. 5