



US00D592217S

(12) **United States Design Patent**
Chen

(10) **Patent No.:** **US D592,217 S**

(45) **Date of Patent:** **** May 12, 2009**

(54) **FLASH DRIVE**

7,365,739 B2 * 4/2008 Hiromori D14/402

(75) Inventor: **Chang-Chih Chen**, Hsinchu (TW)

(73) Assignee: **Phison Electronics Corp.** (TW)

(**) Term: **14 Years**

(21) Appl. No.: **29/287,914**

(22) Filed: **Oct. 2, 2007**

(51) **LOC (9) Cl.** **14-99**

(52) **U.S. Cl.** **D14/480.2; D14/480.5;**
D21/709

(58) **Field of Classification Search** D14/436,
D14/411, 384-385, 518, 348, 432-435, 299,
D14/167, 402, 242, 356, 358, 496, 156, 240;
D21/708-709; 710/300-301; 439/131, 140-141;
361/684, 686

See application file for complete search history.

(56) **References Cited**

U.S. PATENT DOCUMENTS

2,840,842	A *	7/1958	Kaheny	D21/709
D347,787	S *	6/1994	Galmines et al.	D21/709
D359,278	S *	6/1995	Morrison et al.	D14/403
D361,558	S *	8/1995	Siano, Jr.	D14/403
D378,516	S *	3/1997	Smith et al.	D14/403
D404,349	S *	1/1999	Julian	D12/162
D408,803	S *	4/1999	Tyler et al.	D14/436
D413,598	S *	9/1999	Cheung	D14/156
D430,569	S *	9/2000	Hays	D14/436
D432,130	S *	10/2000	Smith et al.	D14/403
D466,120	S *	11/2002	Hervig et al.	D14/403
D515,584	S *	2/2006	Landau	D14/432
D515,585	S *	2/2006	Landau	D14/432
D516,560	S *	3/2006	Landau	D14/432
D525,976	S *	8/2006	Landau	D14/432

OTHER PUBLICATIONS

Ball USB Flash Drives (Solar Electric Co., Limited, China (Mainland)), p. 1 [online], [retrieved on Jun. 28, 2007]. Retrieved from the Internet <URL: http://www.alibaba.com/catalog/11751441/Ball_USB_Flash_Drives/showing.html>.*

* cited by examiner

Primary Examiner—Robin V Webster

Assistant Examiner—Karen E Kearney

(74) *Attorney, Agent, or Firm*—Bacon & Thomas, PLLC

(57) **CLAIM**

The ornamental design for a novel flash drive shaped as a golf ball, as shown and described.

DESCRIPTION

FIG. 1 is an upper perspective view of a golf ball shaped flash drive showing the design;

FIG. 2 is a lower perspective view of the flash drive showing the design;

FIG. 3 is a front, rear, left and right side view of the flash drive shown in FIG. 1;

FIG. 4 is a top view of the flash drive shown in FIG. 1;

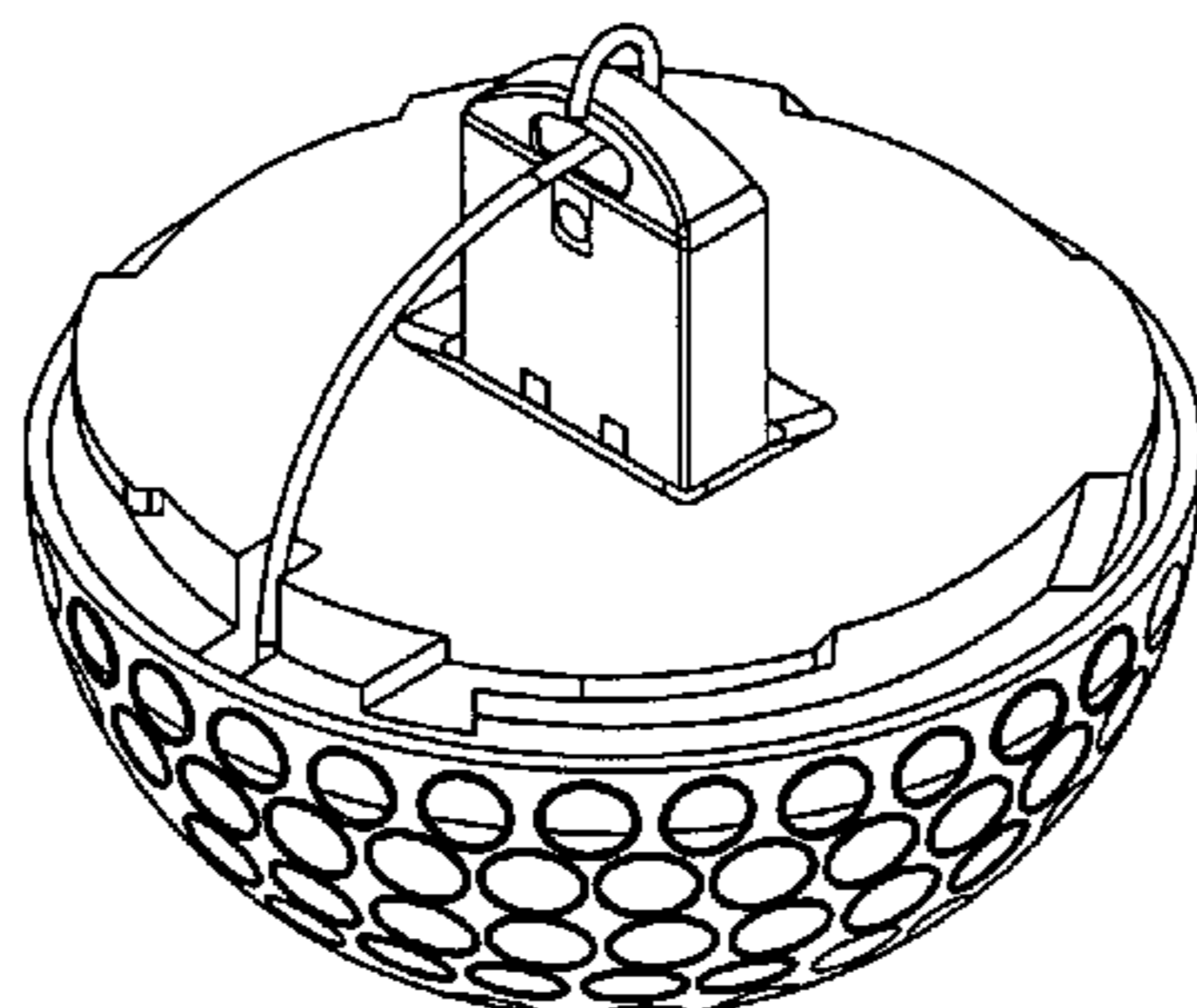
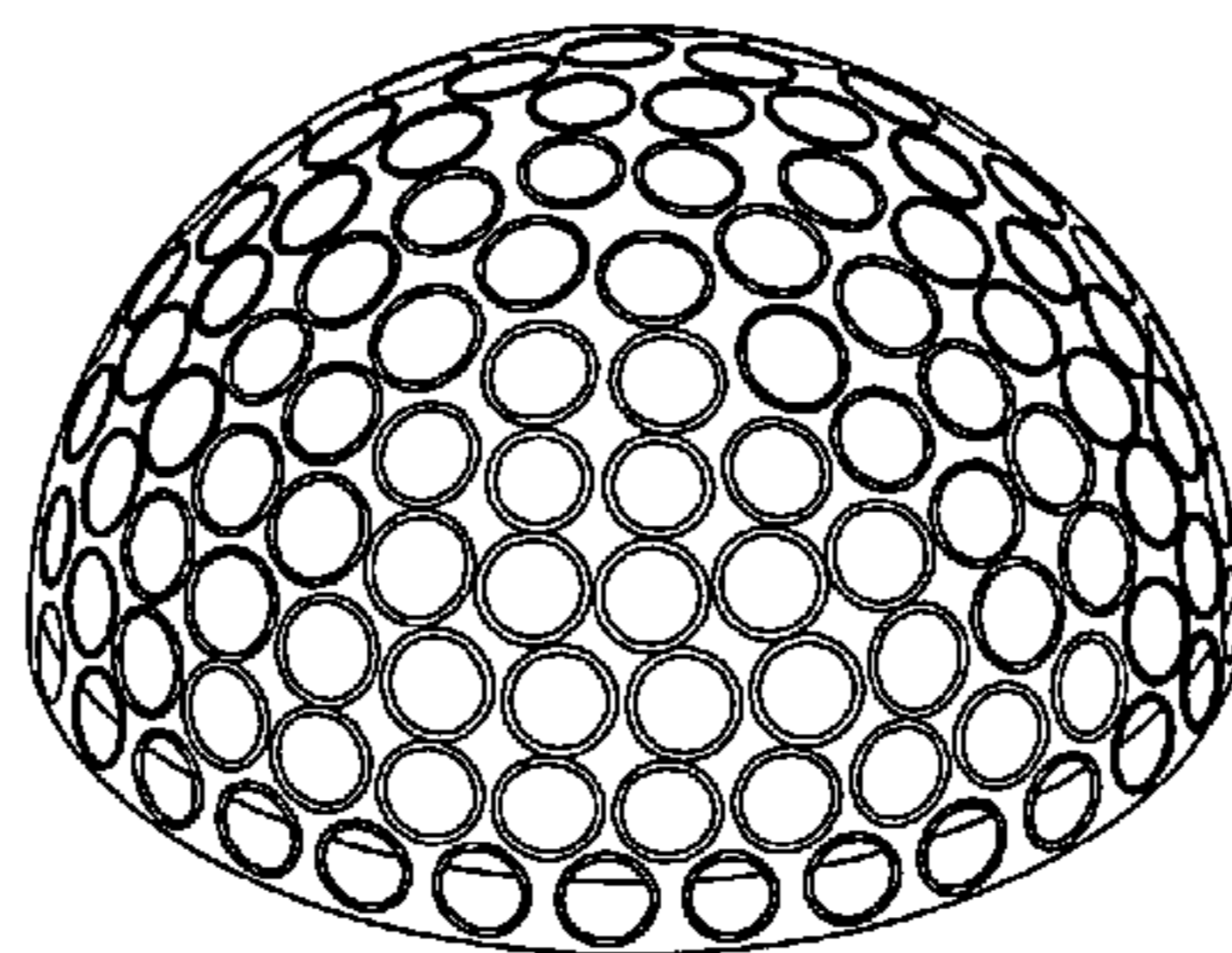
FIG. 5 is a bottom view of the flash drive shown in FIG. 1;

FIG. 6 is an exploded perspective view of the flash drive shown in FIG. 1;

FIG. 7 is a perspective view of the flash drive shown in FIG. 1 with an upper hemisphere removed for ease of illustration; and,

FIG. 8 is another exploded view of the flash drive shown in FIG. 1 wherein the connector portion is inserted in an alternate position with the cord removed for ease of illustration.

1 Claim, 4 Drawing Sheets



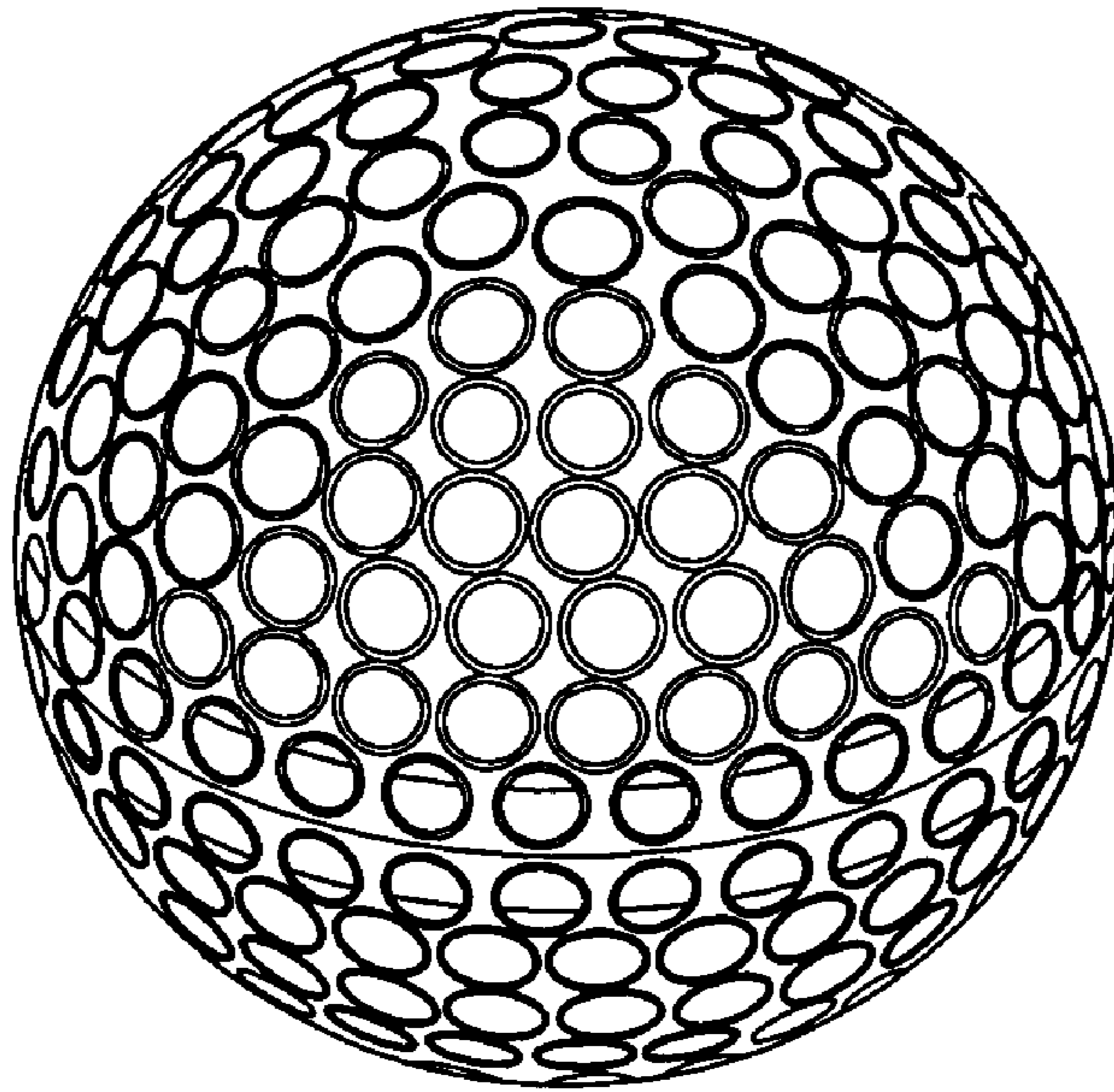


FIG. 1

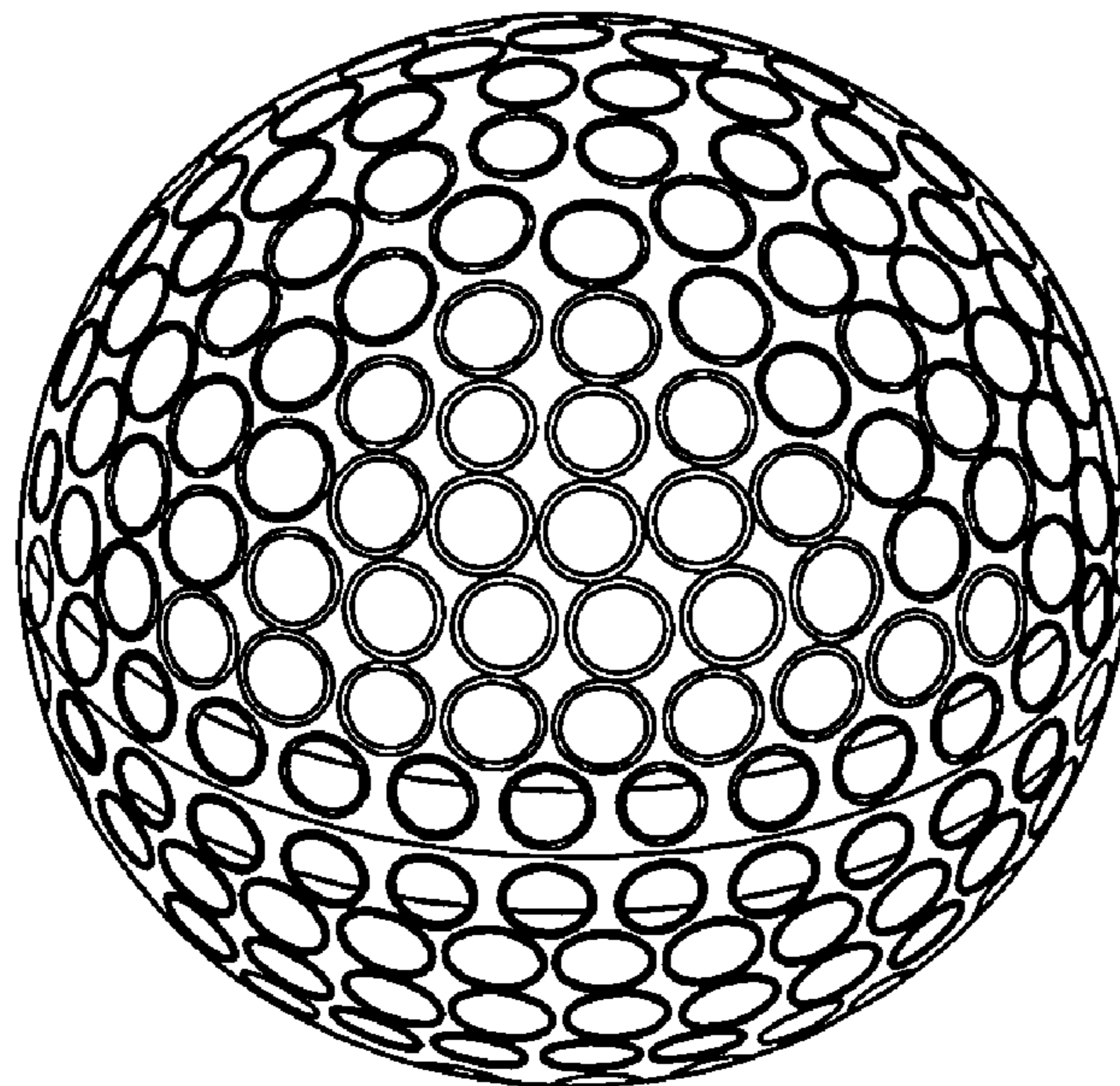


FIG. 2

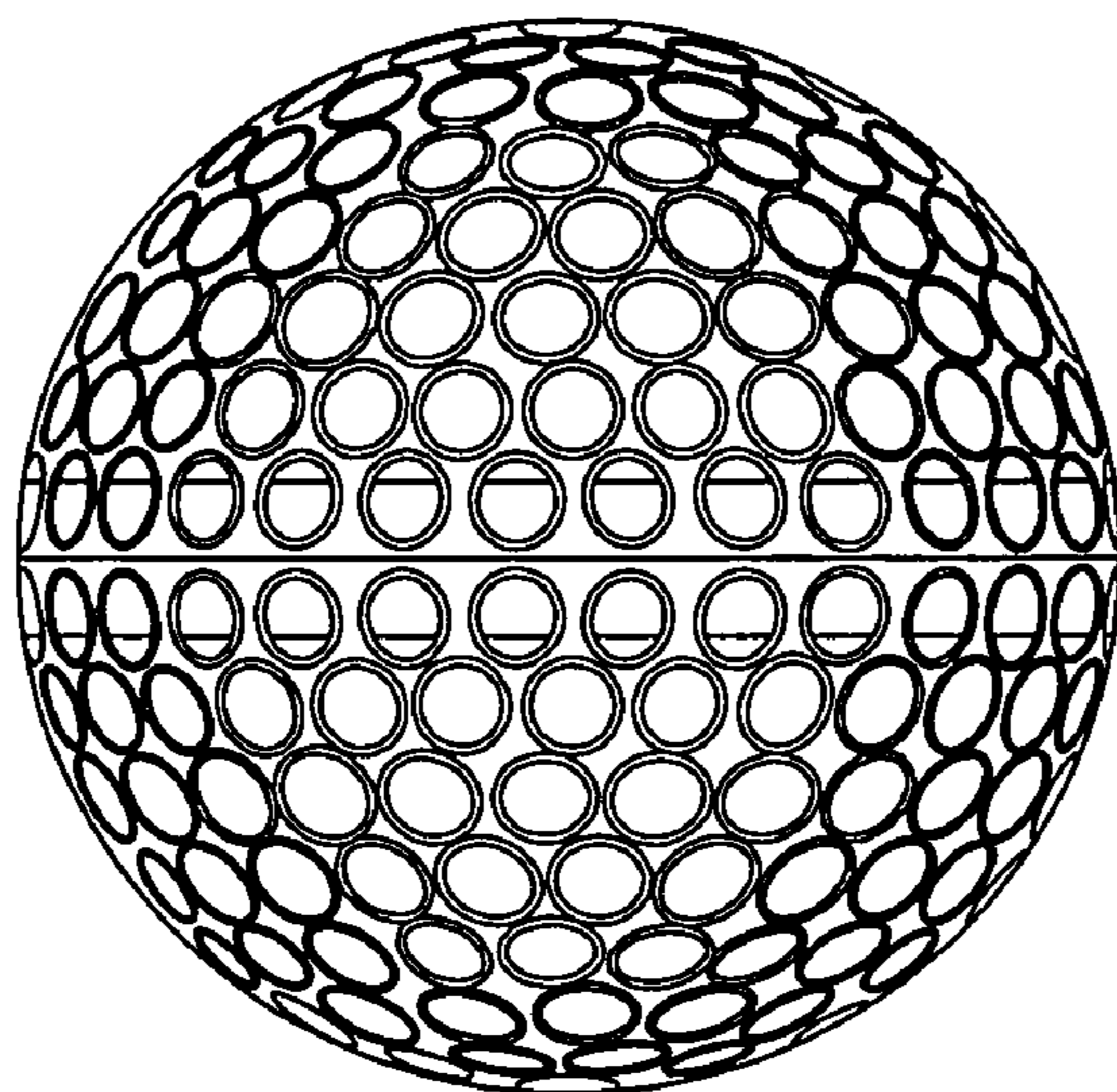


FIG. 3

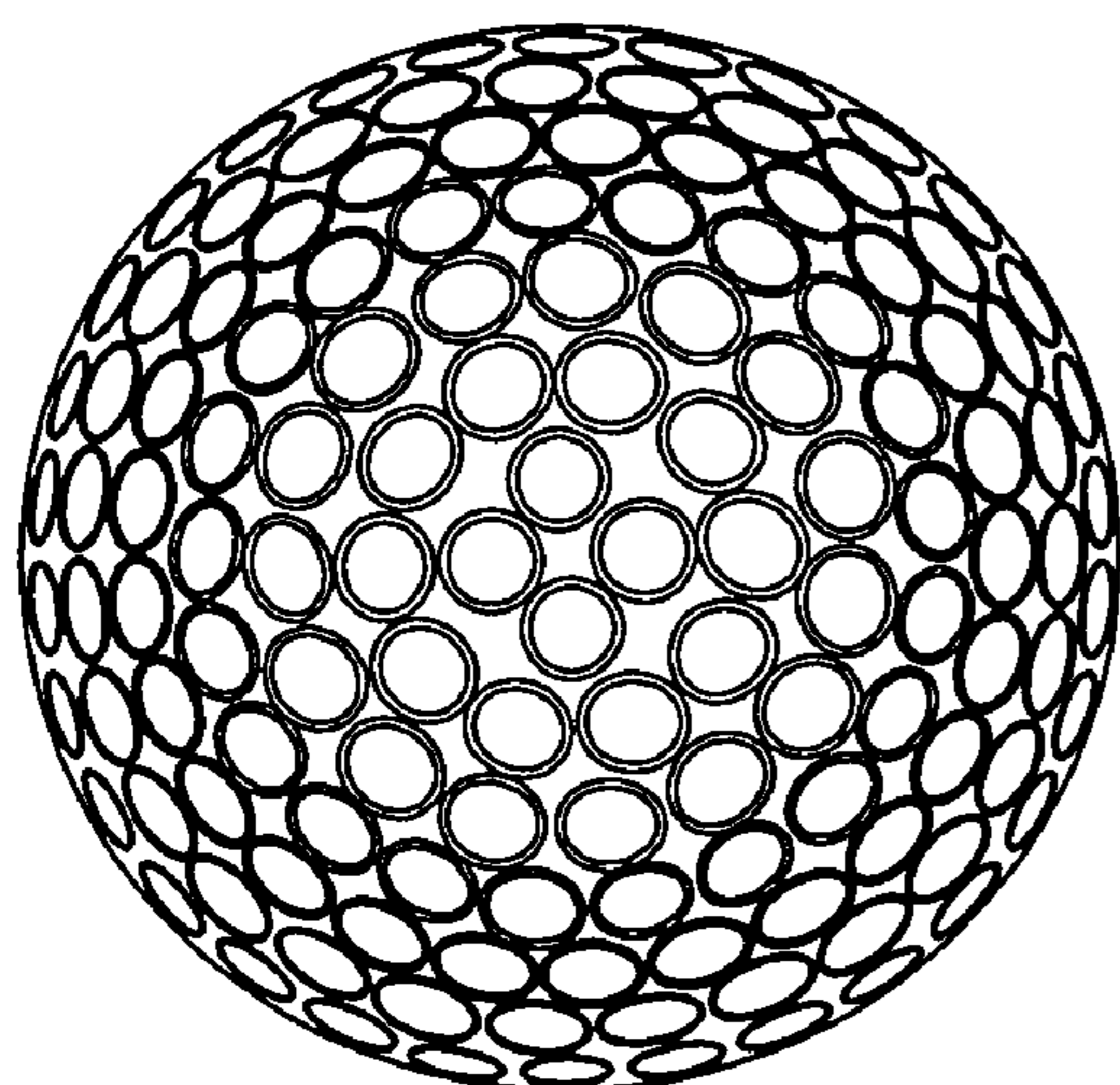


FIG. 4

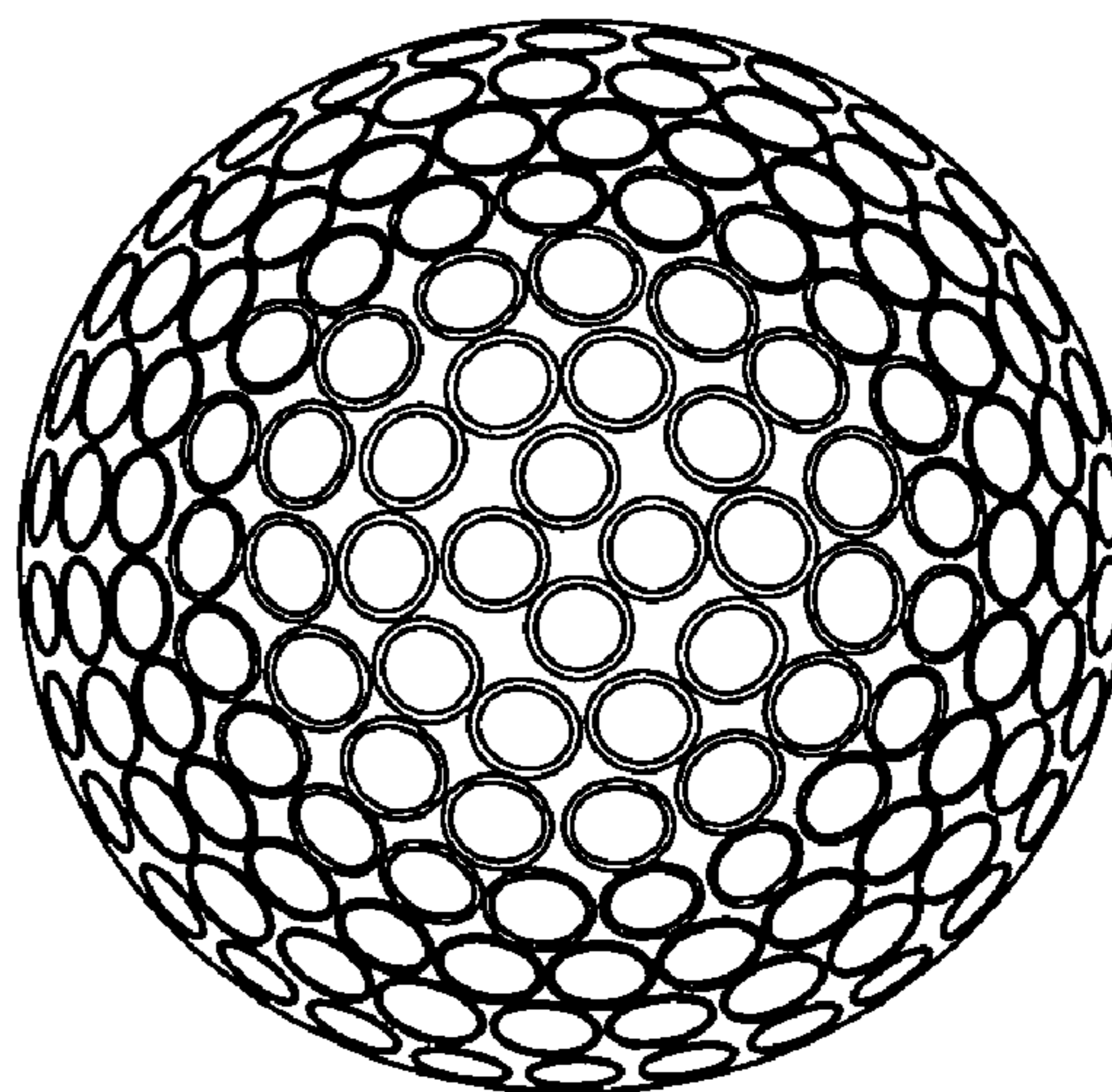


FIG. 5

FIG. 6

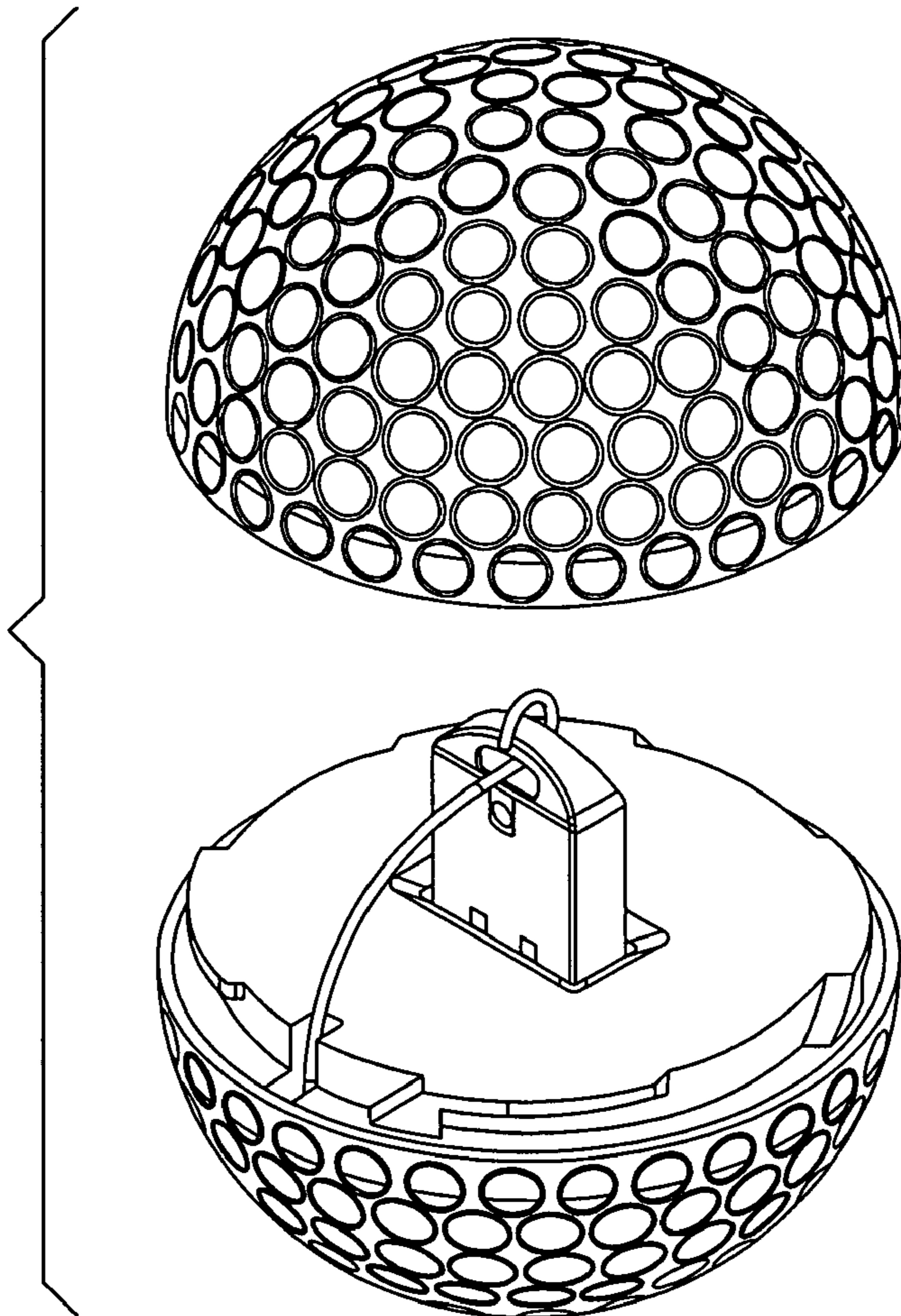


FIG. 7

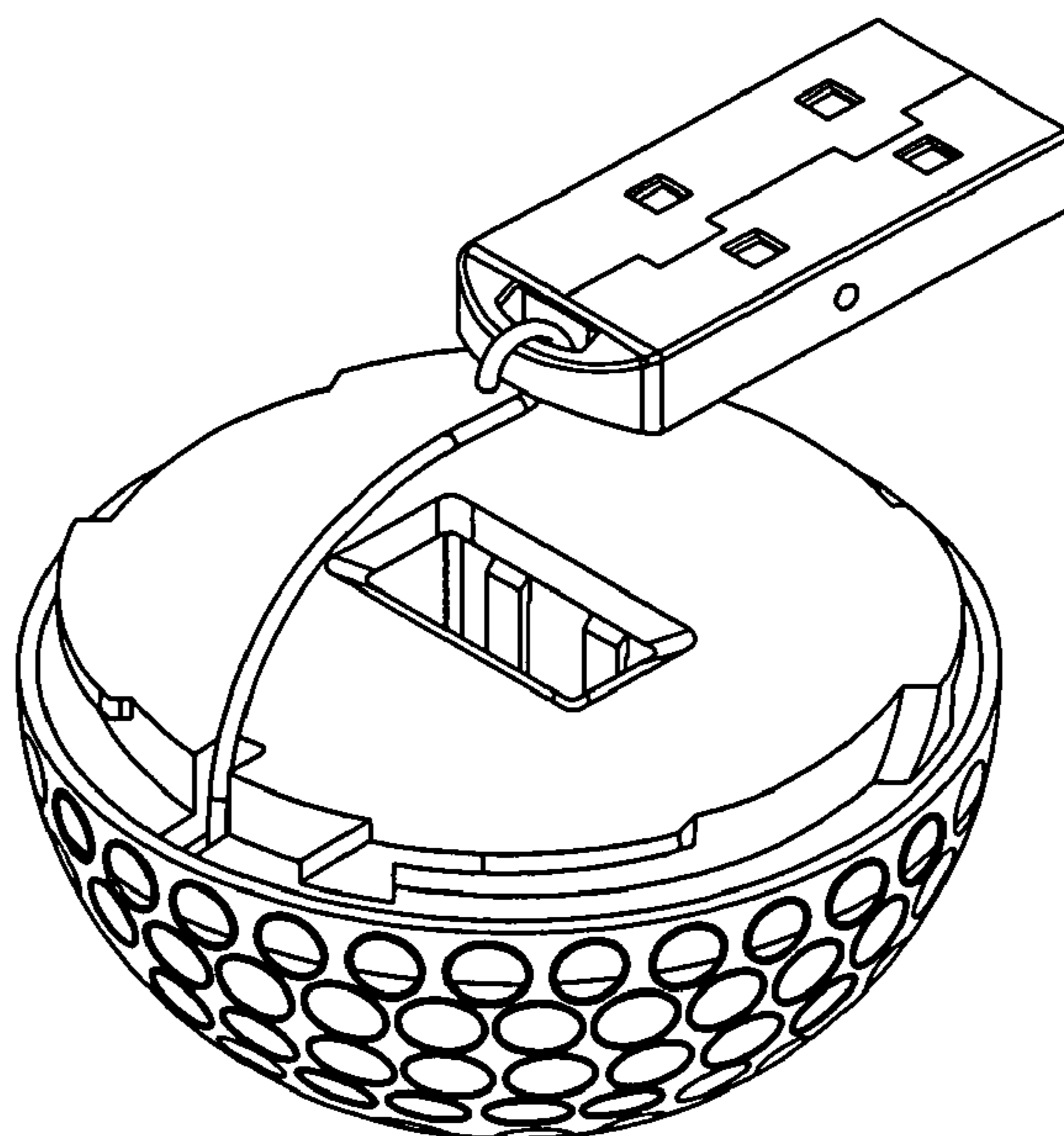


FIG. 8

