



US00D592211S

(12) **United States Design Patent**
Ichise et al.

(10) **Patent No.:** **US D592,211 S**
(45) **Date of Patent:** **** May 12, 2009**

(54) **MOBILE INFORMATION TERMINAL**

5,896,575 A * 4/1999 Higginbotham et al. 455/566
D438,557 S * 3/2001 Chu et al. D18/7

(75) Inventors: **Kentaro Ichise**, Tokyo (JP); **Taihei Miyaji**, Tokyo (JP); **Katsuaki Shimizu**, Saitama-ken (JP)

(Continued)

(73) Assignee: **Kabushiki Kaisha Toshiba**, Tokyo (JP)

FOREIGN PATENT DOCUMENTS

(**) Term: **14 Years**

JP	D1241918	6/2005
JP	D1248964	8/2005
JP	D1251030	9/2005
JP	2007-025759	9/2007
KR	30-0452985-1	7/2007

(21) Appl. No.: **29/321,339**

Primary Examiner—Cathron C Brooks

(22) Filed: **Jul. 15, 2008**

Assistant Examiner—Angela J Lee

(51) **LOC (9) Cl.** **14-02**

(52) **U.S. Cl.** **D14/346; D14/345**

(58) **Field of Classification Search** D14/341, D14/342, 343, 344, 345, 346, 347, 138 R, D14/138 AA, 138 AB, 138 AC, 138 AD, D14/138 C, 138 G, 315, 316, 320, 331, 333, D14/334, 335, 338, 339, 340, 387, 390, 391, D14/392, 393, 394, 395, 396, 397, 398, 399, D14/400, 401, 406, 420, 426, 427, 428, 429, D14/432, 439, 440, 441, 453, 454, 455, 456, D14/457, 496, 130, 137, 142, 150, 151, 203.1; D14/203.3, 203.4, 203.5, 203.6, 203.7, 238.1, D14/247, 248, 250, 902, 218, 125, 126; D13/168, D13/171; D18/7; D21/324, 329, 330, 331, D21/333; D10/65; 455/556.1, 556.2, 566, 455/575.1, 575.3, 575.4, 90.3; 341/22; 379/433.04, 379/433.06, 433.07, 433.11, 433.12, 433.13, 379/910, 915, 916; 348/14.02, 207.1, 552; 345/169, 168, 901

(74) *Attorney, Agent, or Firm*—Banner & Witcoff, Ltd.

See application file for complete search history.

(57) **CLAIM**

The ornamental design for a mobile information terminal, as shown and described.

(56) **References Cited**

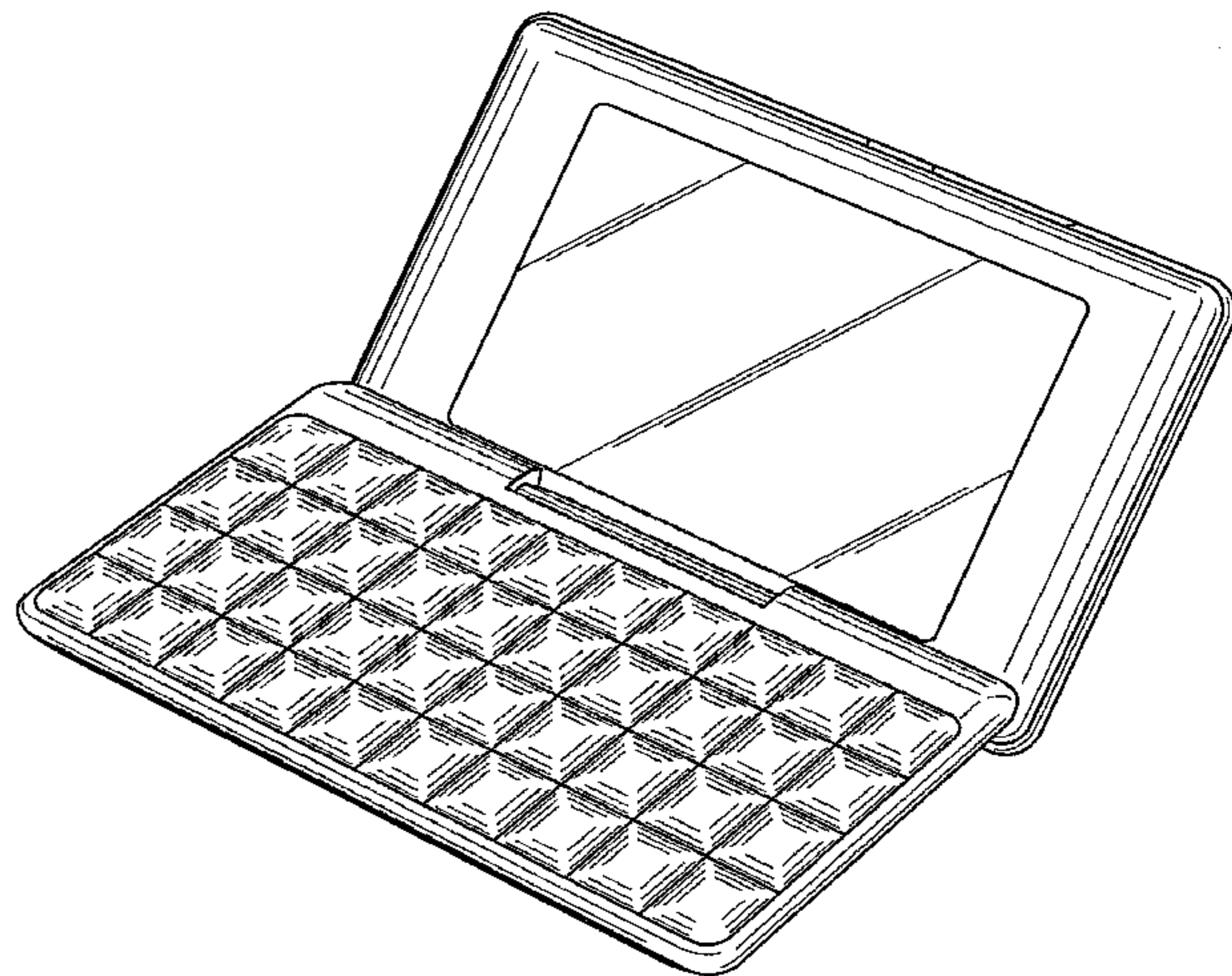
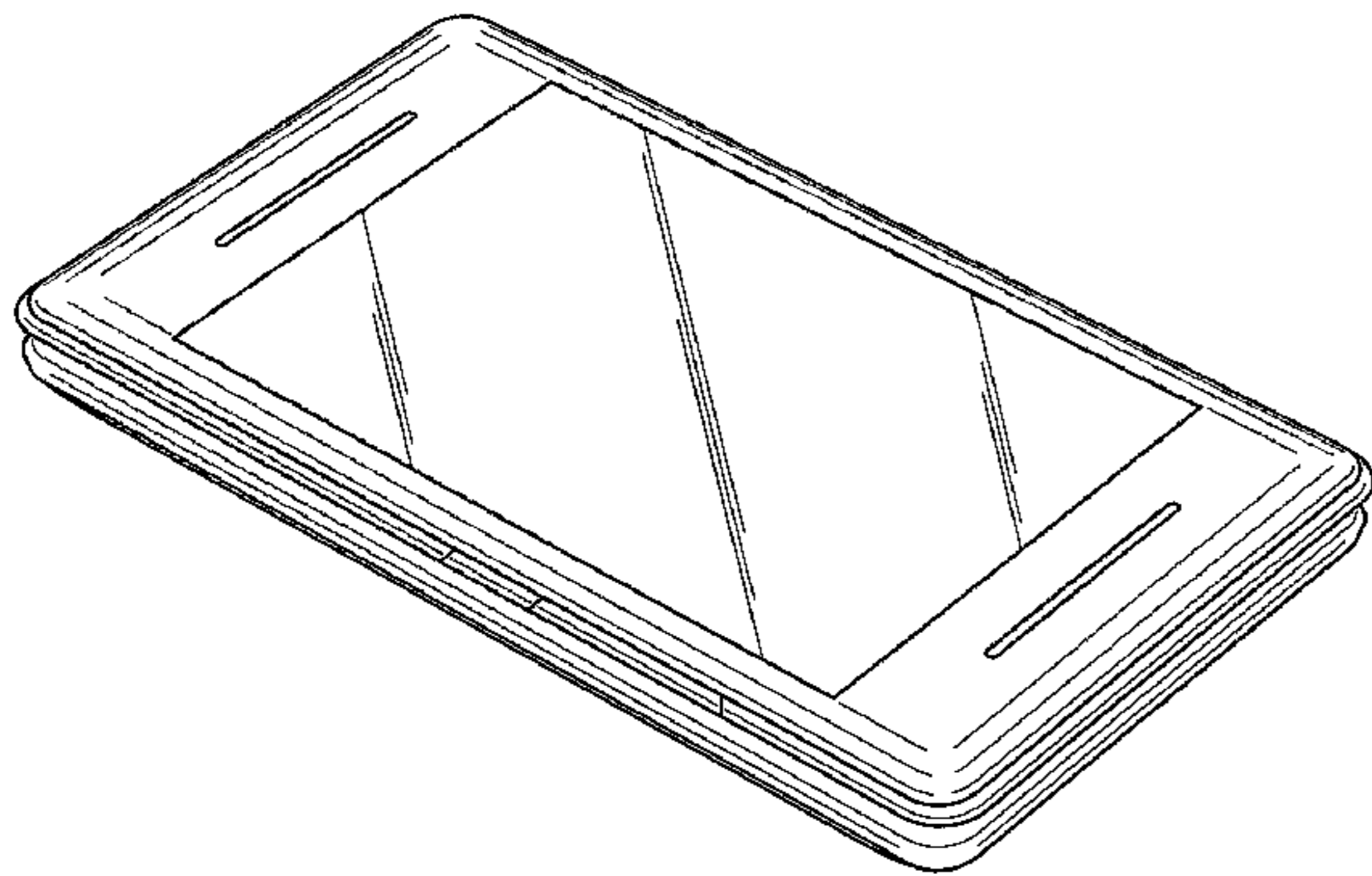
DESCRIPTION

U.S. PATENT DOCUMENTS

D285,805 S * 9/1986 Yubisui et al. D18/7
D390,541 S 2/1998 Chiba

FIG. 1 is a bottom, front and right side perspective view a mobile information terminal showing our new design,
FIG. 2 is a bottom, front and right side perspective view showing an article in an opened position thereof,
FIG. 3 is a front elevational view thereof,
FIG. 4 is a rear elevational view thereof,
FIG. 5 is a left side elevational view thereof,
FIG. 6 is a right side elevational view thereof,
FIG. 7 is a top plan view thereof,
FIG. 8 is a bottom plan view thereof,
FIG. 9 is a front elevational view showing the article in the opened position thereof; and,
FIG. 10 is a right side elevational view showing the article in the opened position thereof.

1 Claim, 5 Drawing Sheets



US D592,211 S

Page 2

U.S. PATENT DOCUMENTS

D447,740 S	9/2001	Johansson		D563,371 S	3/2008	Kim et al.	
D465,218 S	11/2002	Schebesch et al.		D565,017 S	3/2008	Kim et al.	
6,747,635 B2 *	6/2004	Ossia	345/169	D574,347 S	8/2008	Lee et al.	
D519,094 S	4/2006	Helin		D577,018 S	9/2008	Lin	
D534,514 S	1/2007	Hering		D577,704 S *	9/2008	Park et al.	D14/138 AD
D537,064 S	2/2007	Kim et al.		D578,983 S *	10/2008	Bang et al.	D14/138 R
D542,260 S	5/2007	Lee		D578,987 S *	10/2008	Lee et al.	D14/138 R
D551,237 S	9/2007	Hering		D583,341 S *	12/2008	Wang	D14/138 AB
D557,695 S *	12/2007	Cheng et al.	D14/315	D584,304 S *	1/2009	Lin	D14/346
D561,245 S	2/2008	Ono et al.		2002/0077161 A1 *	6/2002	Eromaki	455/575
D561,246 S	2/2008	Matsuda et al.		2007/0259702 A1 *	11/2007	Kemppinen	455/575.4
D563,364 S	3/2008	Kim et al.		2008/0242359 A1 *	10/2008	Seol et al.	455/566

* cited by examiner

FIG. 1

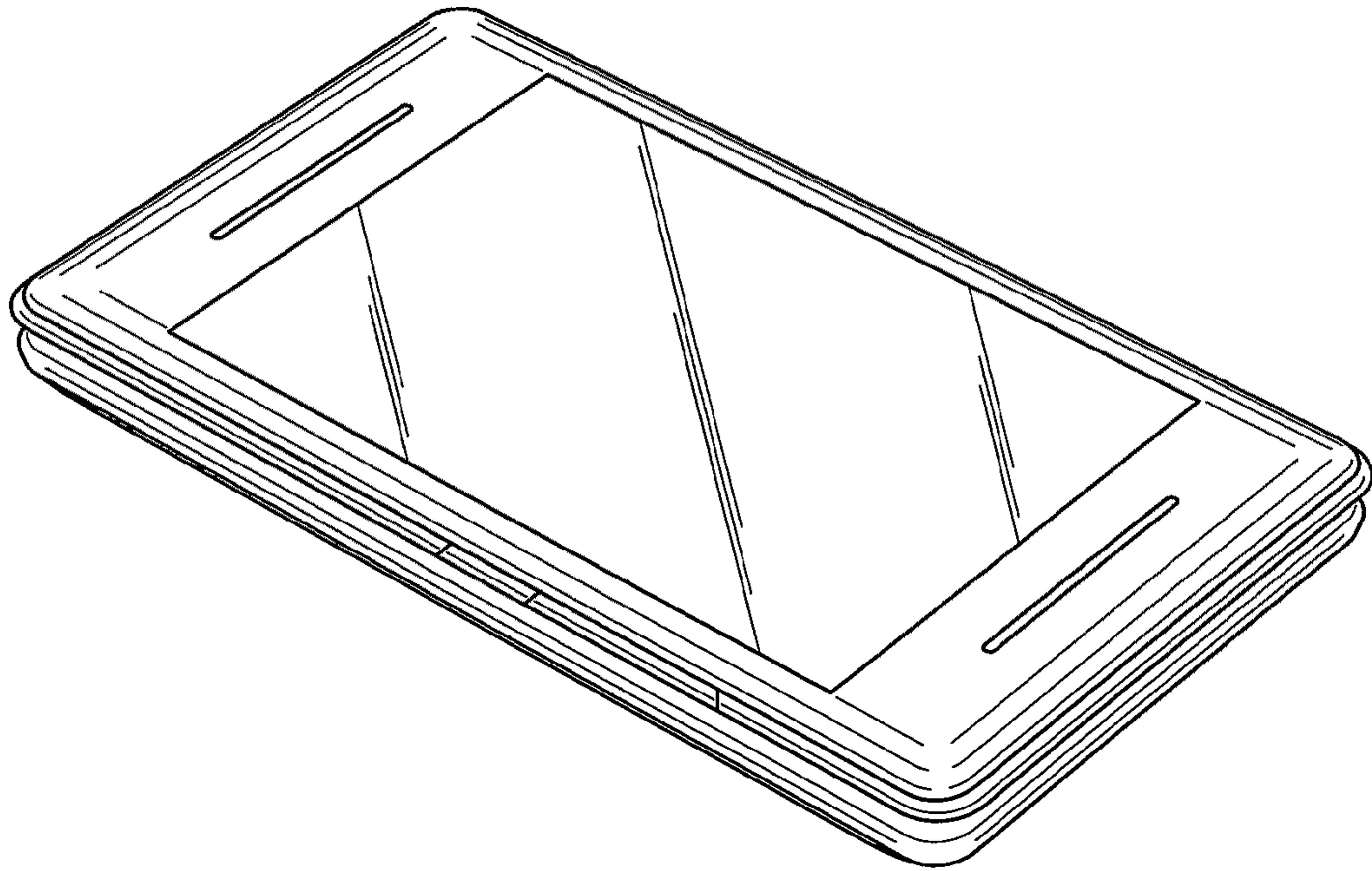


FIG. 2

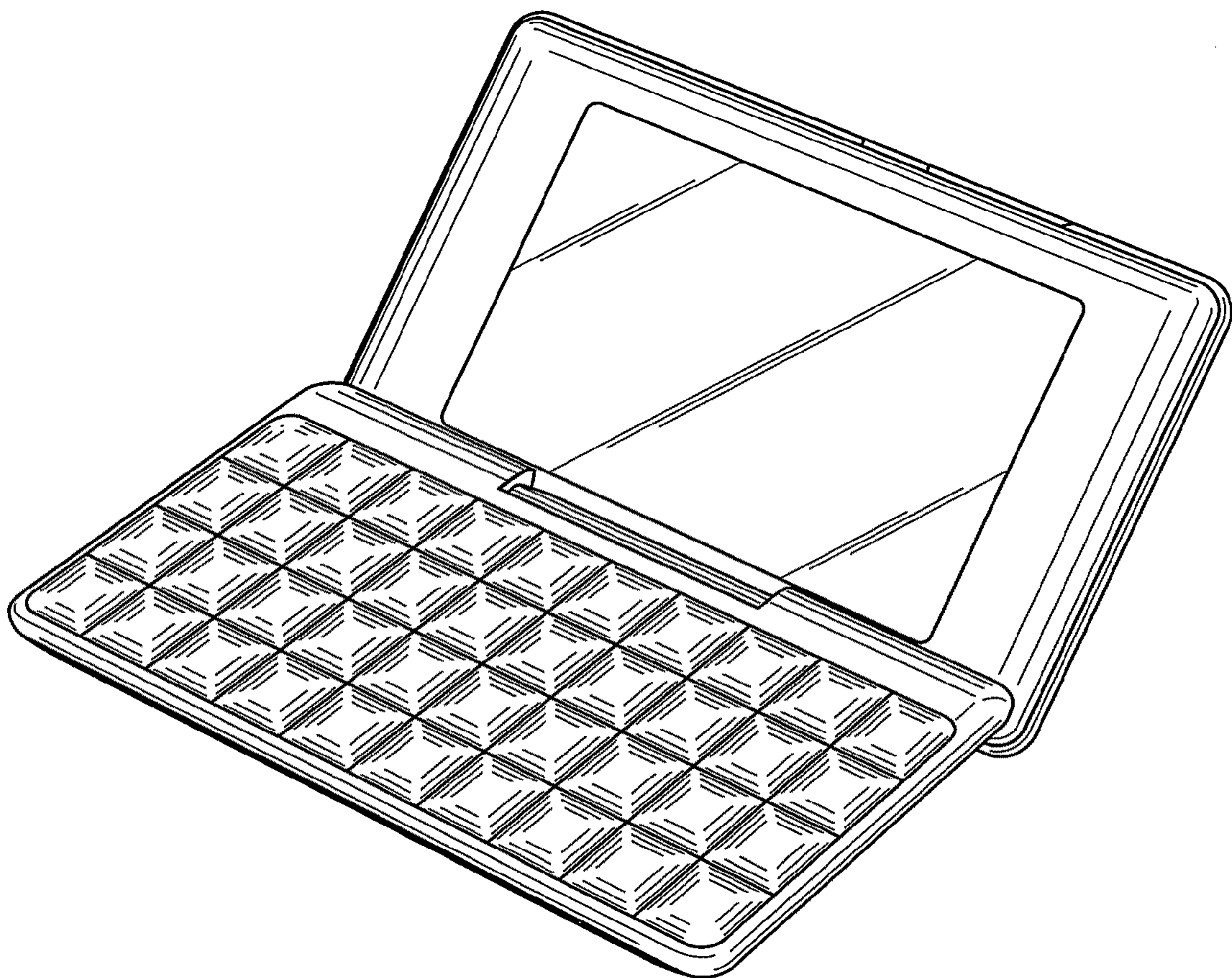


FIG. 3

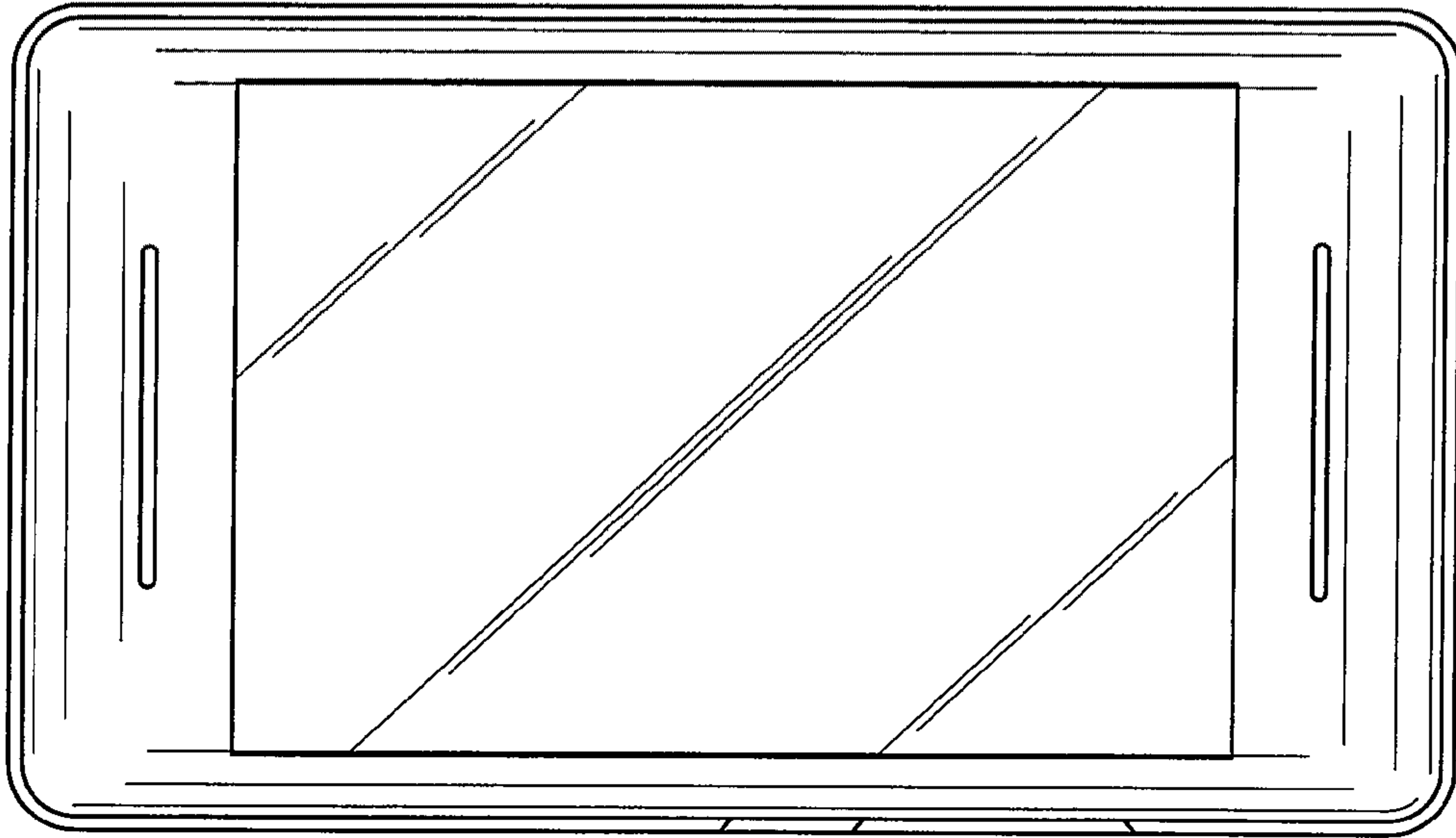


FIG. 4

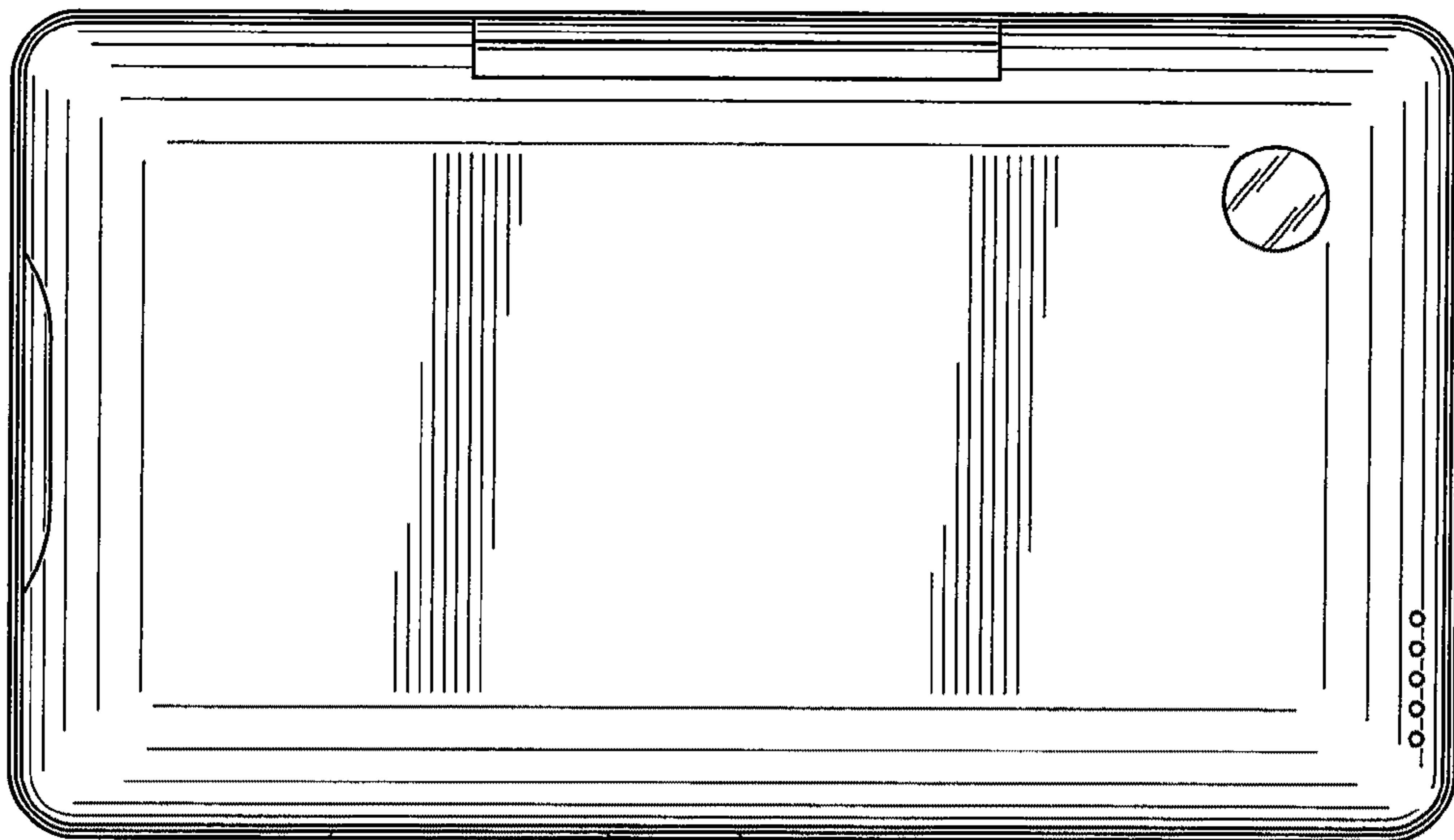


FIG. 5



FIG. 6



FIG. 7

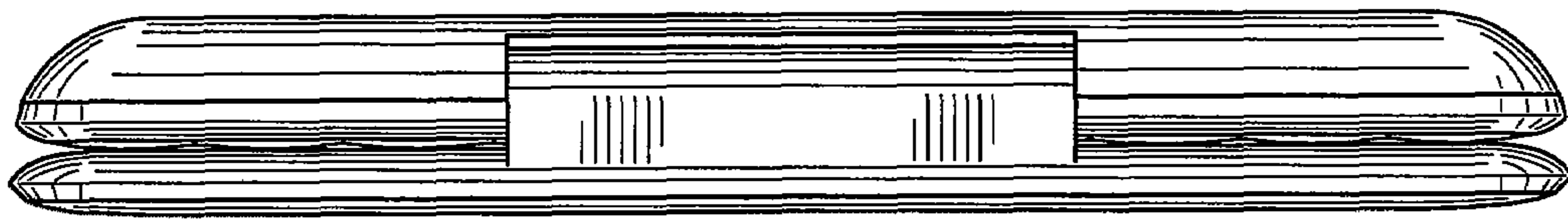


FIG. 8

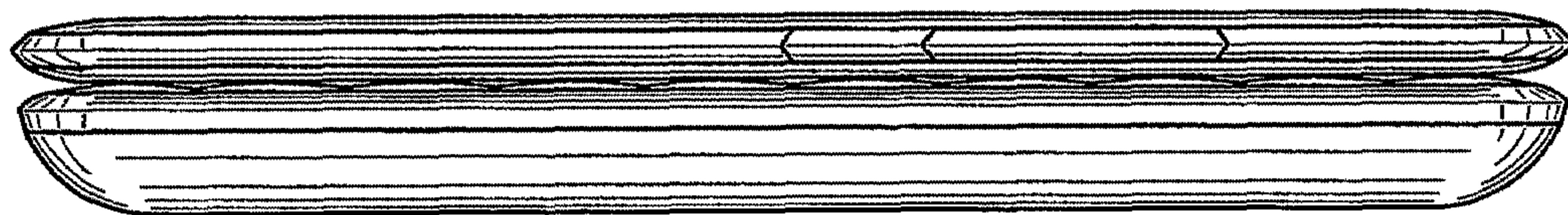


FIG. 9

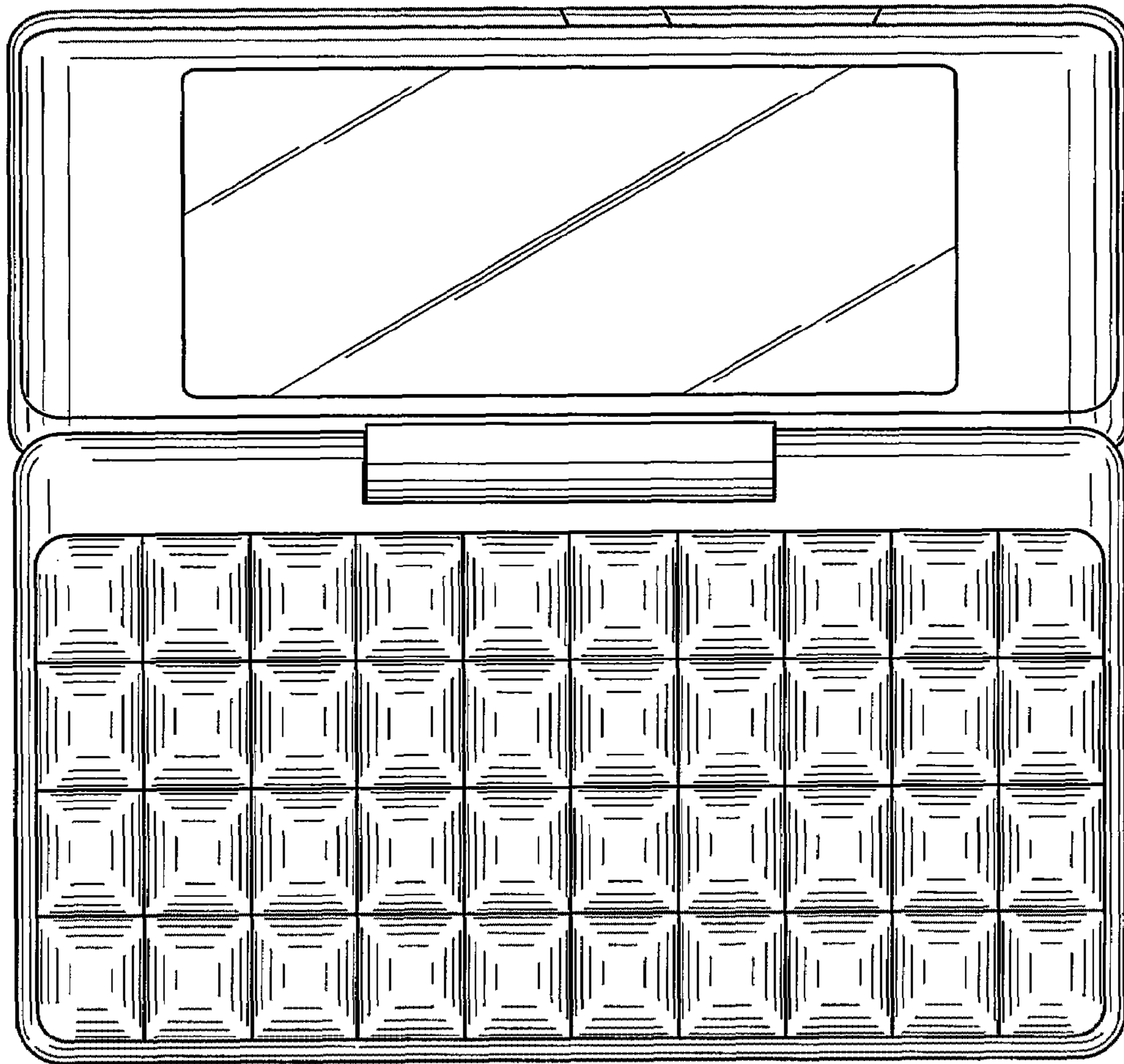
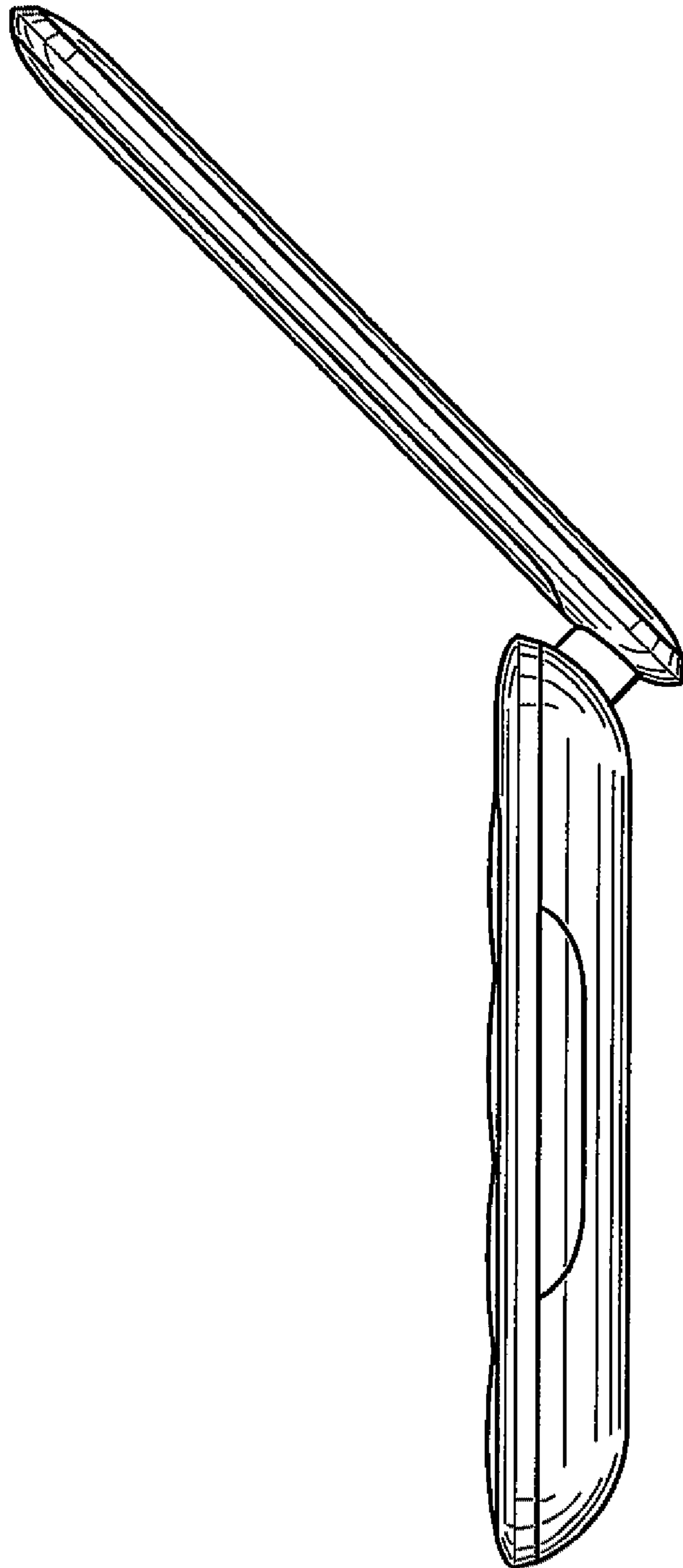


FIG. 10



UNITED STATES PATENT AND TRADEMARK OFFICE
CERTIFICATE OF CORRECTION

PATENT NO. : Des. 592,211 S
APPLICATION NO. : 29/321339
DATED : May 12, 2009
INVENTOR(S) : Kentaro Ichise et al.

Page 1 of 1

It is certified that error appears in the above-identified patent and that said Letters Patent is hereby corrected as shown below:

On the Title Page, please insert:

--Foreign Priority Data: JP 2008-002756 filed on 2-8-2008--

Signed and Sealed this

Sixth Day of October, 2009

A handwritten signature in black ink that reads "David J. Kappos". The signature is written in a cursive, flowing style.

David J. Kappos
Director of the United States Patent and Trademark Office