



US00D592207S

(12) **United States Design Patent**
Goodburn et al.

(10) **Patent No.:** **US D592,207 S**

(45) **Date of Patent:** **** May 12, 2009**

(54) **FACEPLATE FOR RECORDING APPARATUS**

(75) Inventors: **Mark Goodburn**, Milford (GB);
Suzanne O'Dell, Bingley (GB)

(73) Assignee: **Pace plc**, West Yorkshire (GB)

(**) Term: **14 Years**

(21) Appl. No.: **29/286,551**

(22) Filed: **May 10, 2007**
(Under 37 CFR 1.47)

Related U.S. Application Data

(63) Continuation of application No. 29/257,272, filed on Mar. 31, 2006.

(51) **LOC (9) Cl.** **14-01**

(52) **U.S. Cl.** **D14/257**

(58) **Field of Classification Search** D14/258,
D14/257, 224, 217, 198, 197, 188, 17, 170,
D14/168, 167, 164, 162, 161, 160, 157, 156,
D14/136, 135, 415, 418, 400, 195; 720/691,
720/658, 270; 455/344, 575.1; 396/434,
396/93; 386/1; 369/75.1; 360/47, 4; 359/550,
359/258; 349/460, 159, 10

See application file for complete search history.

(56) **References Cited**

U.S. PATENT DOCUMENTS

D433,410 S * 11/2000 Matsuzaka D14/365
D494,172 S * 8/2004 Asai D14/368
D514,119 S * 1/2006 Tseng D14/496

D531,189 S * 10/2006 Depay et al. D14/496
D542,249 S * 5/2007 Ishibashi D14/511
D564,493 S * 3/2008 Tejima D14/168
D568,865 S * 5/2008 Wada et al. D14/168
D574,360 S * 8/2008 Matsuoka D14/168
D575,274 S * 8/2008 Donovan et al. D14/217
D578,505 S * 10/2008 Tejima et al. D14/188
D580,933 S * 11/2008 Ju et al. D14/358

* cited by examiner

Primary Examiner—Caron Veynar

Assistant Examiner—Katrina A Kile

(74) *Attorney, Agent, or Firm*—Chinh H. Pham; Greenberg
Traurig, LLP

(57) **CLAIM**

The ornamental design for a faceplate for recording apparatus, as shown and described.

DESCRIPTION

FIG. 1 illustrates a perspective view of a faceplate for recording apparatus showing the new design.

FIG. 2 illustrates a front view of the faceplate shown in FIG. 1.

FIG. 3 illustrates a left sideview thereof.

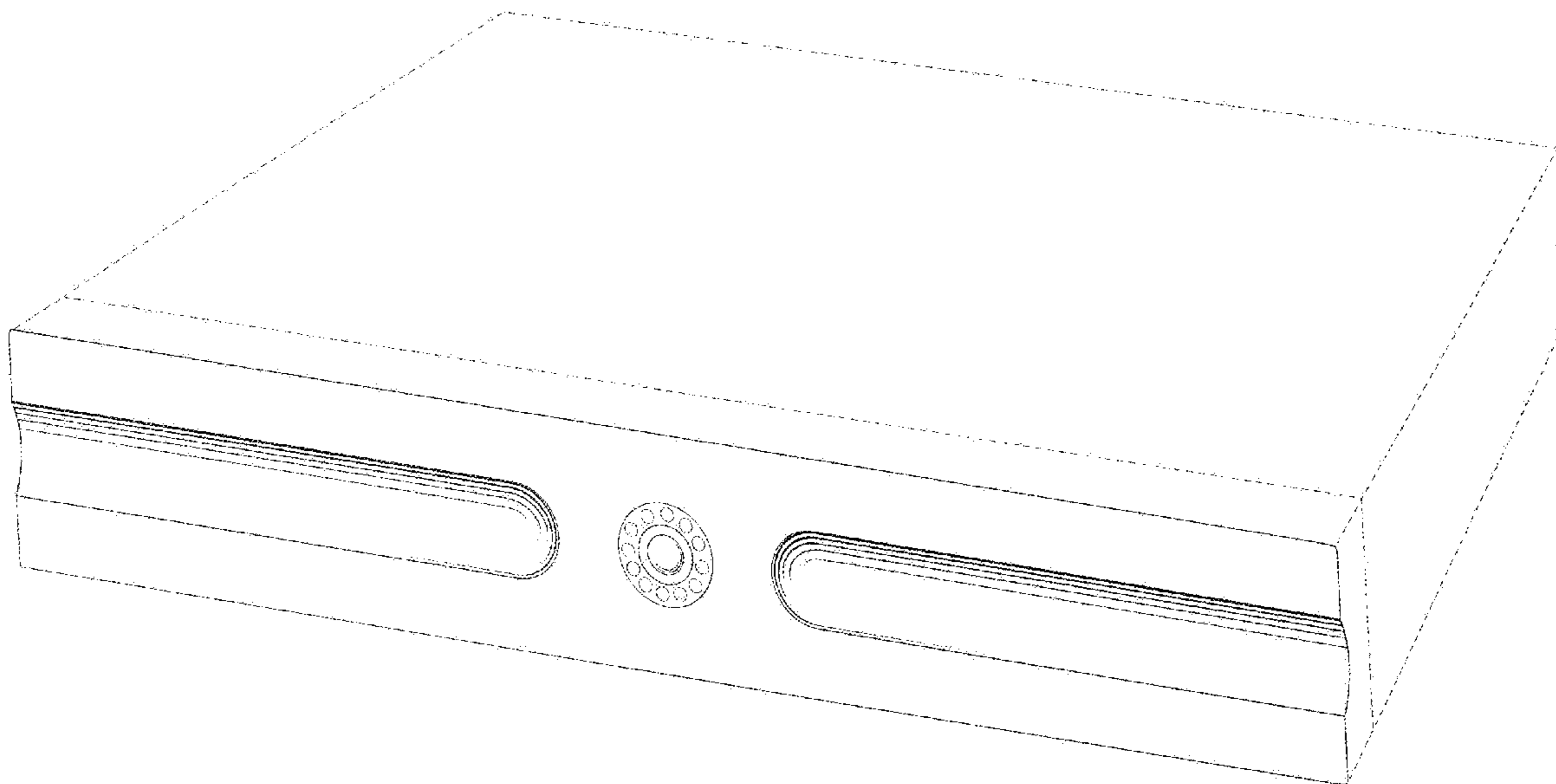
FIG. 4 illustrates a right sideview thereof.

FIG. 5 illustrates a top view thereof; and,

FIG. 6 illustrates a bottom view thereof.

In the drawings, the broken lines depict recording apparatus and form no part of the claimed design.

1 Claim, 4 Drawing Sheets



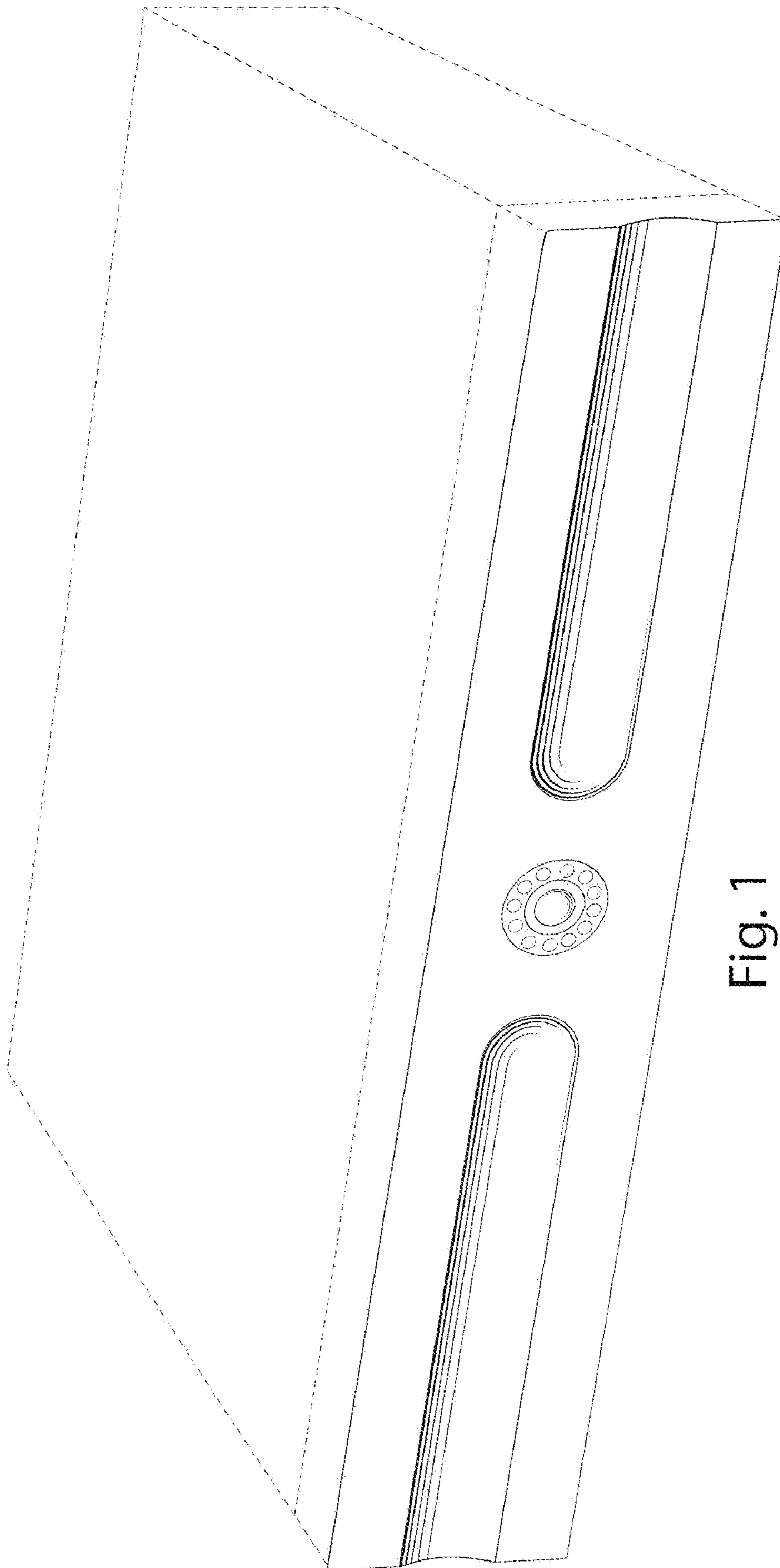


Fig. 1

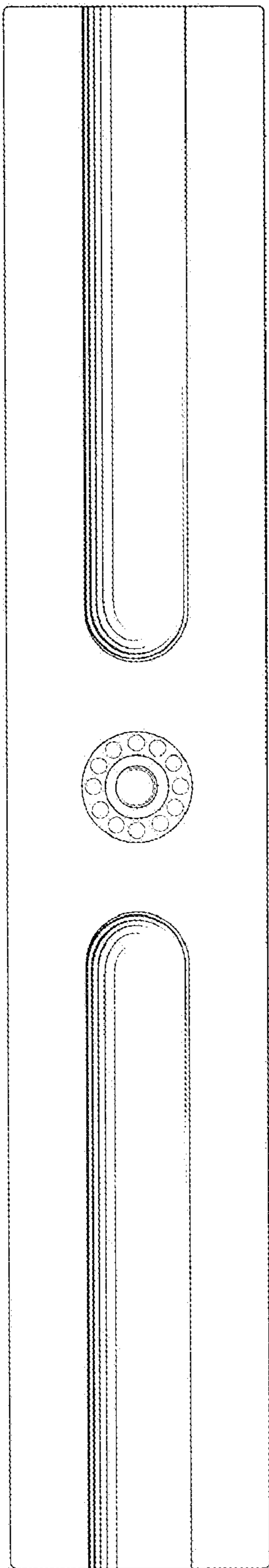


Fig. 2

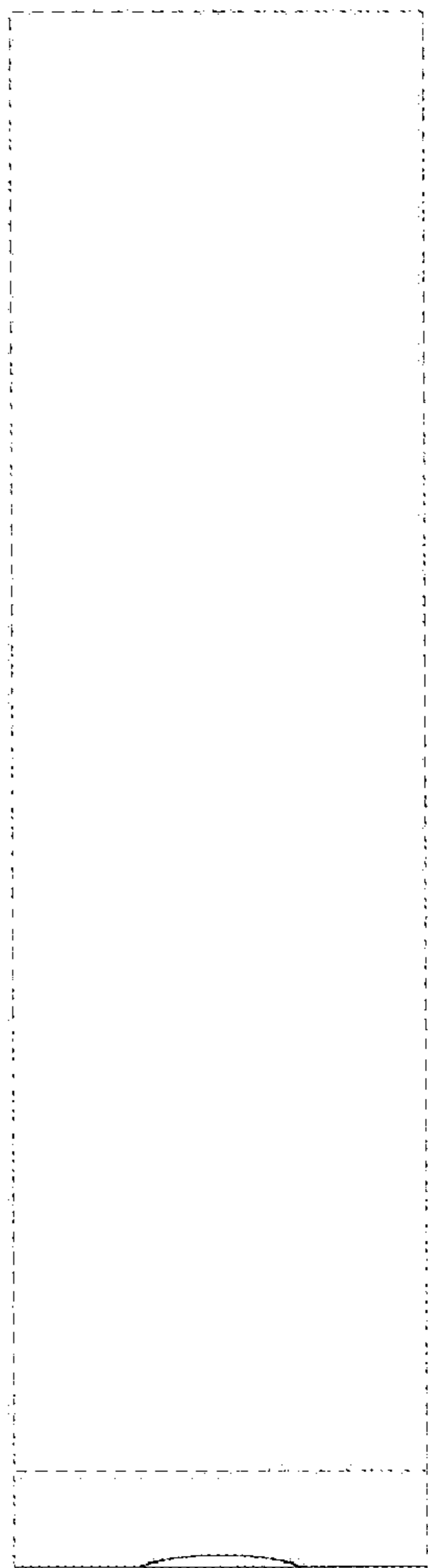


Fig. 3

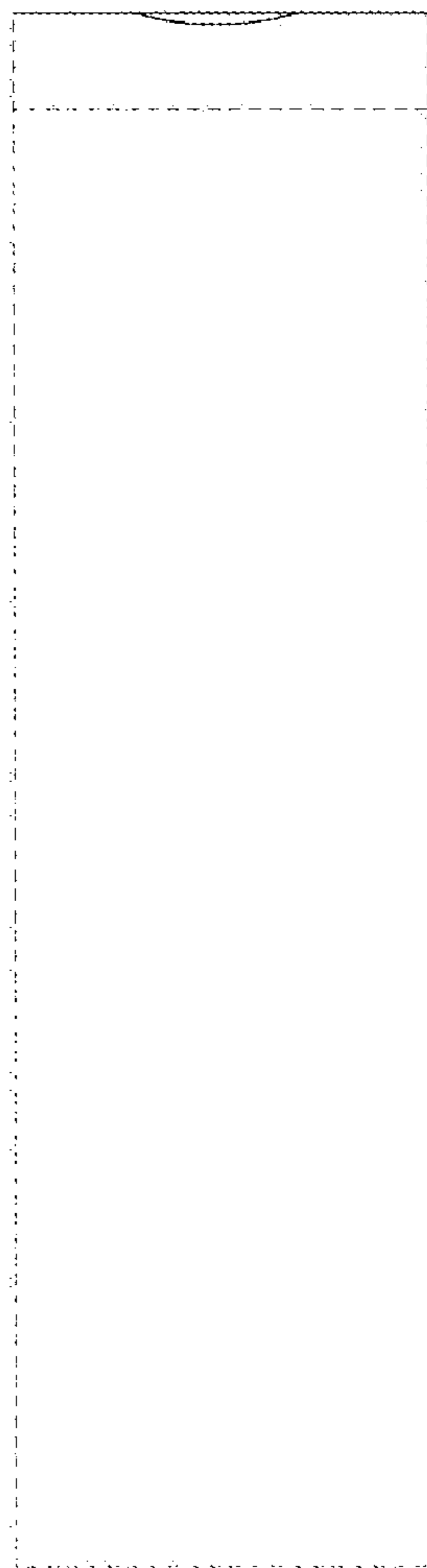


Fig. 4

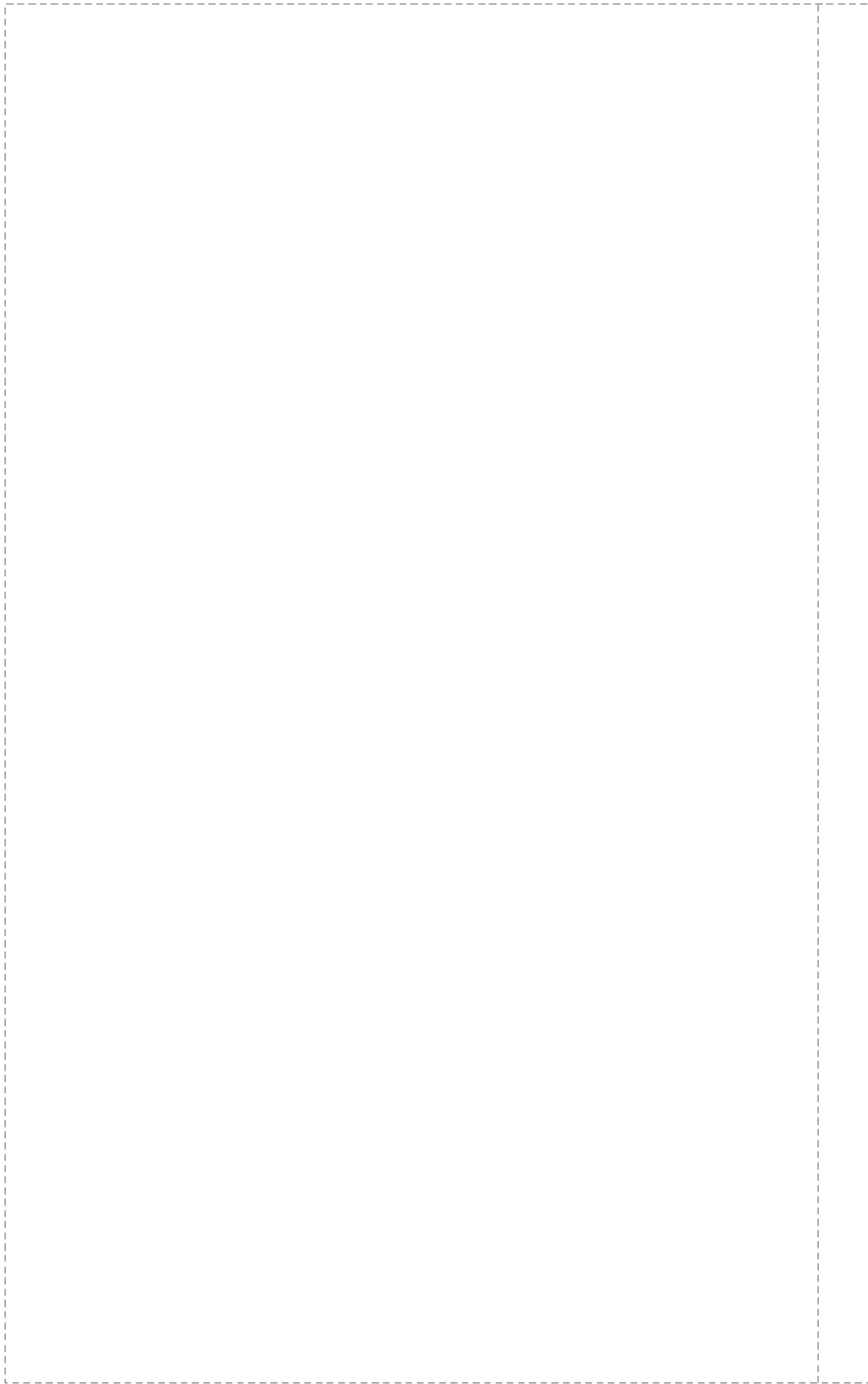


Fig. 5



Fig. 6