



US00D592205S

(12) **United States Design Patent**
O'Brien

(10) **Patent No.:** **US D592,205 S**

(45) **Date of Patent:** **** May 12, 2009**

(54) **ELECTRONIC DEVICE MOUNT**

(75) Inventor: **Darren O'Brien**, Santa Monica, CA
(US)

(73) Assignee: **Harman International Industries,
Incorporated**, Northridge, CA (US)

(**) Term: **14 Years**

(21) Appl. No.: **29/299,638**

(22) Filed: **Dec. 31, 2007**

(51) **LOC (9) Cl.** **14-03**

(52) **U.S. Cl.** **D14/253; D14/447; D12/415**

(58) **Field of Classification Search** D14/149,
D14/251, 253, 299, 452, 454, 447; D8/363,
D8/373; D12/415; 248/206.2–206.4, 220.21,
248/279.1; 379/426, 446, 454, 455
See application file for complete search history.

(56) **References Cited**

U.S. PATENT DOCUMENTS

D363,492 S	*	10/1995	Brussing	D14/251
D522,843 S	*	6/2006	Richter	D8/363
D553,957 S	*	10/2007	Brassard	D8/363
D554,136 S	*	10/2007	Richter	D14/447
D554,137 S	*	10/2007	Richter	D14/447
D560,592 S	*	1/2008	Brassard	D12/415
D566,530 S	*	4/2008	Brassard	D8/363
D570,836 S	*	6/2008	Chen	D14/253
D579,854 S	*	11/2008	Mo	D12/415

D580,742 S	*	11/2008	Short	D8/363
D580,847 S	*	11/2008	Mo	D12/415
2008/0121772 A1	*	5/2008	Lu et al.	248/279.1
2008/0245935 A1	*	10/2008	Kaneda et al.	248/206.2

* cited by examiner

Primary Examiner—Ian Simmons

Assistant Examiner—Carla Jobe Wright

(74) *Attorney, Agent, or Firm*—Plumsea Law Group, LLC

(57) **CLAIM**

The ornamental design for an electronic device mount, as shown and described.

DESCRIPTION

FIG. 1 is a frontal perspective view of an electronic device mount for a vehicle showing my new design;

FIG. 2 is a rear perspective view thereof;

FIG. 3 is a side elevational view of one side, the opposite side elevational view being a mirror image thereof;

FIG. 4 is a front elevational view thereof;

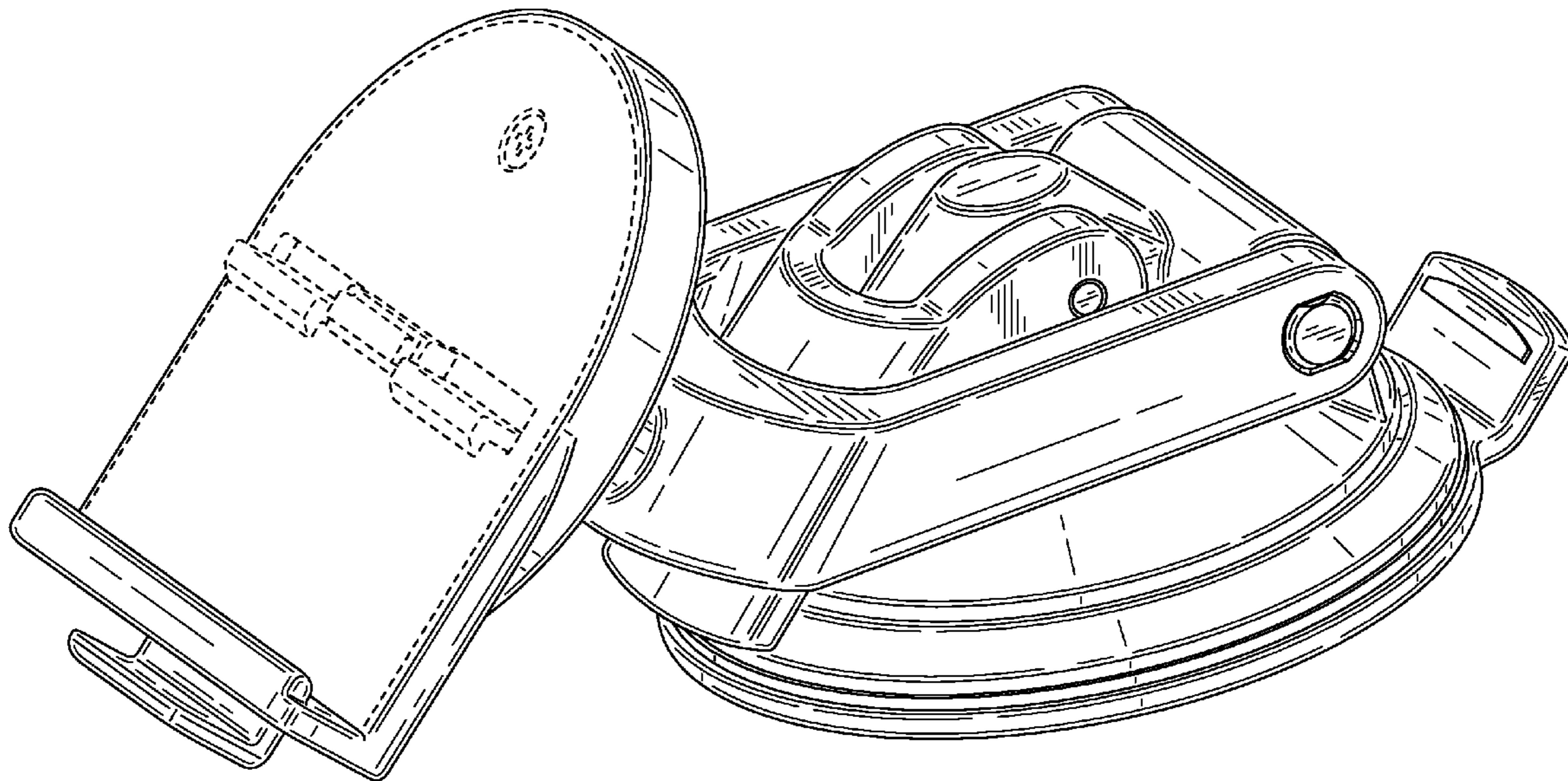
FIG. 5 is a rear elevational view thereof;

FIG. 6 is a top plan view thereof; and,

FIG. 7 is a bottom plan view thereof.

The broken line showings of the elements on the mounting surface are for illustrative purposes only and form no part of the claimed design.

1 Claim, 6 Drawing Sheets



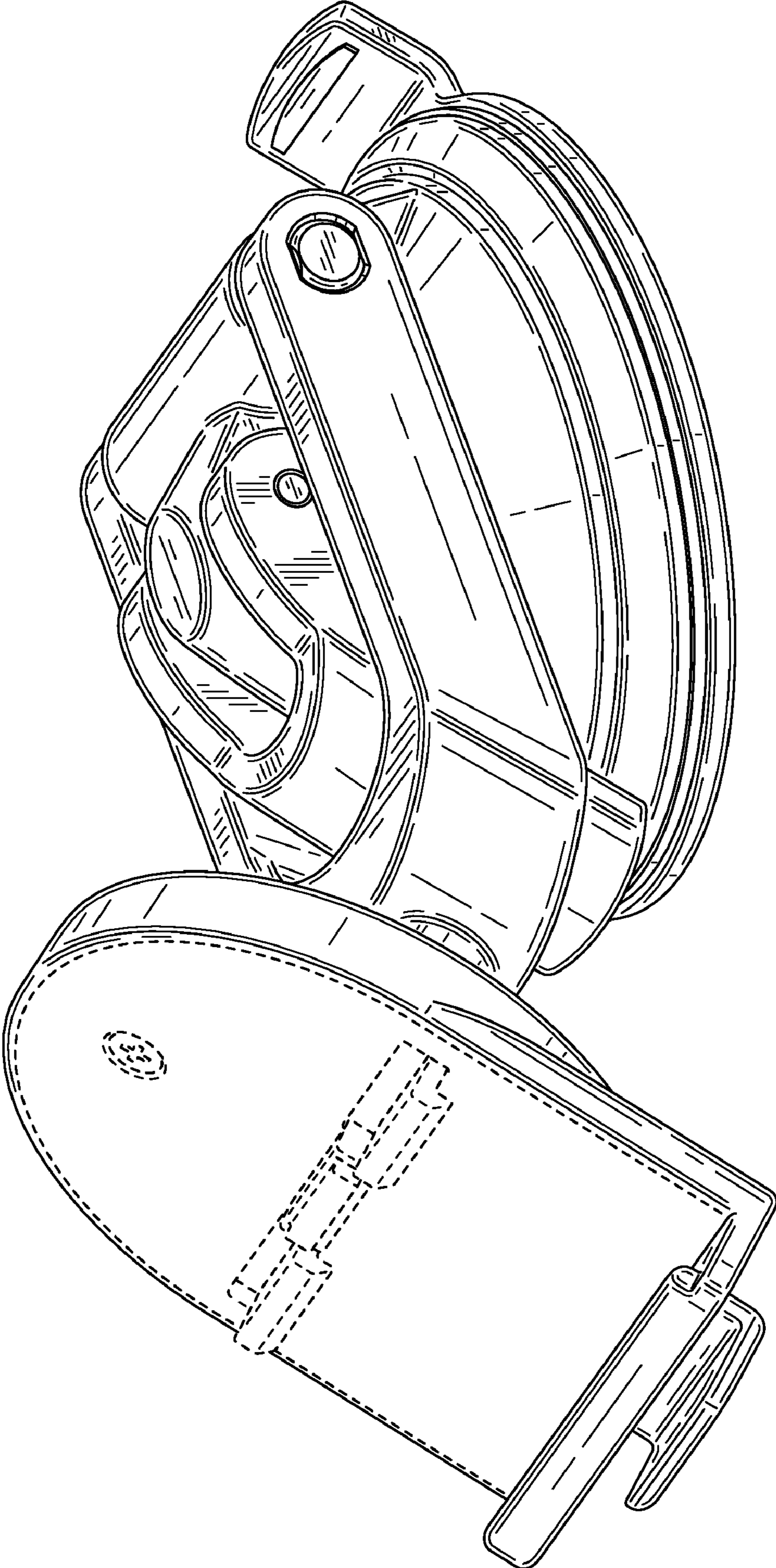


FIG. 1

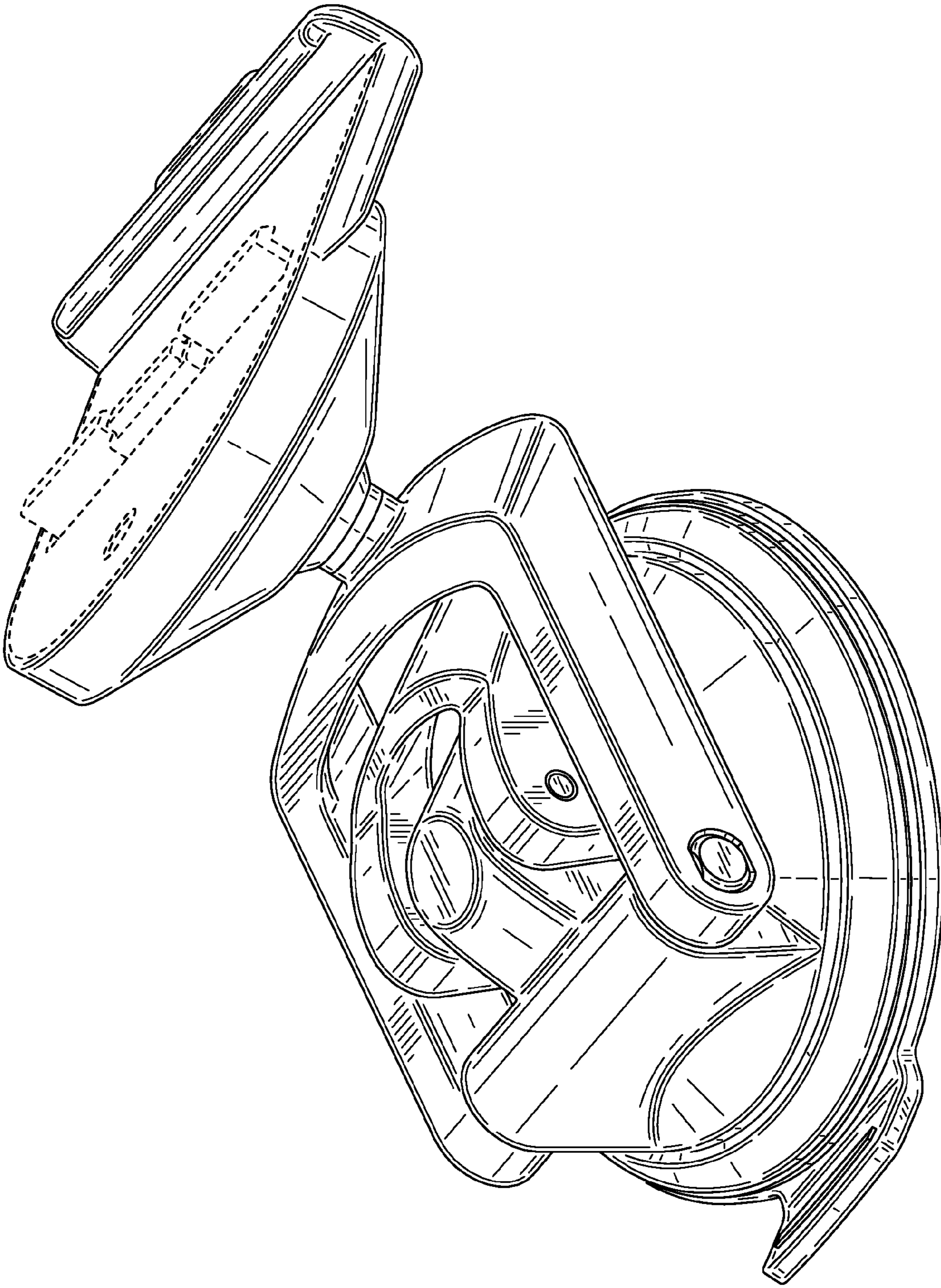


FIG. 2

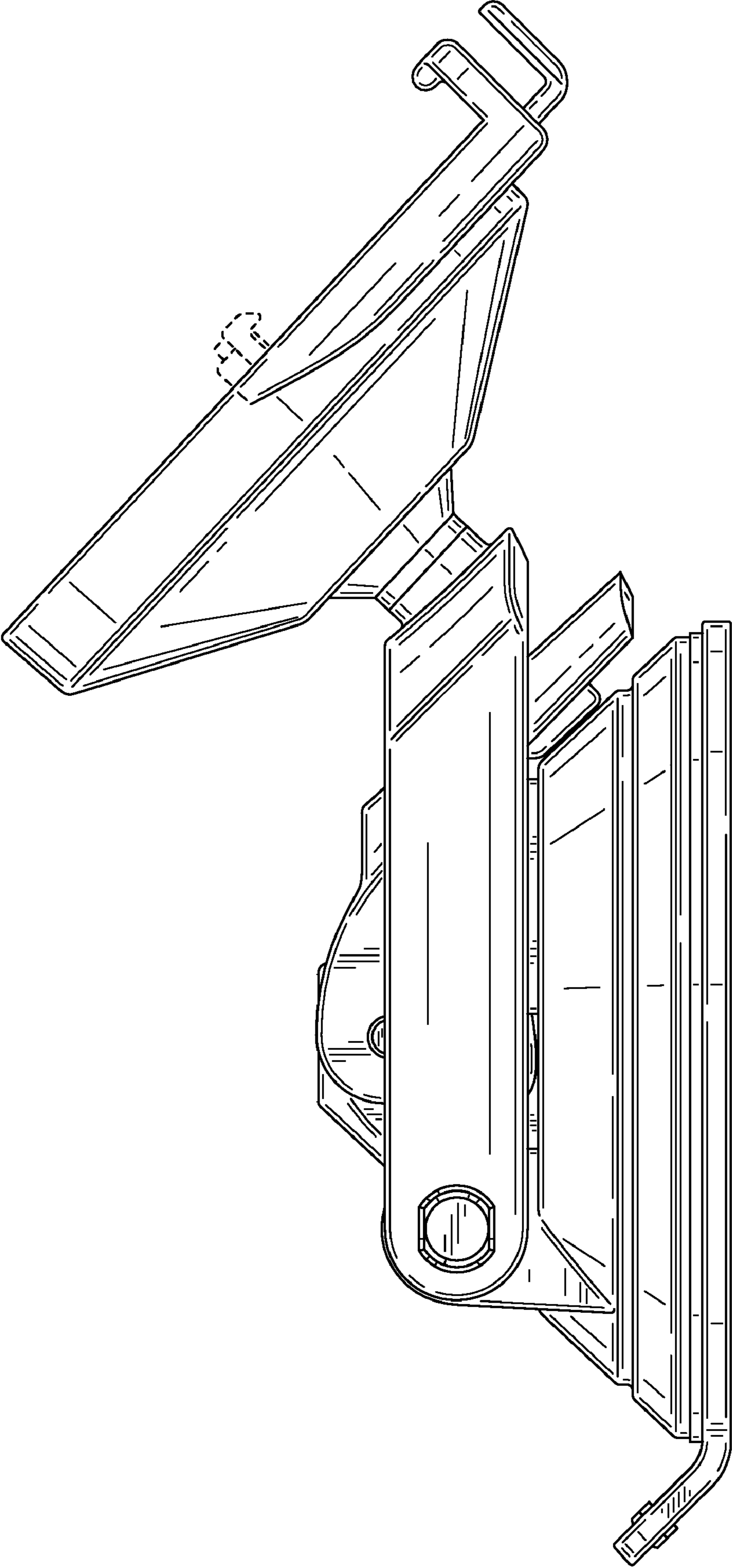


FIG. 3

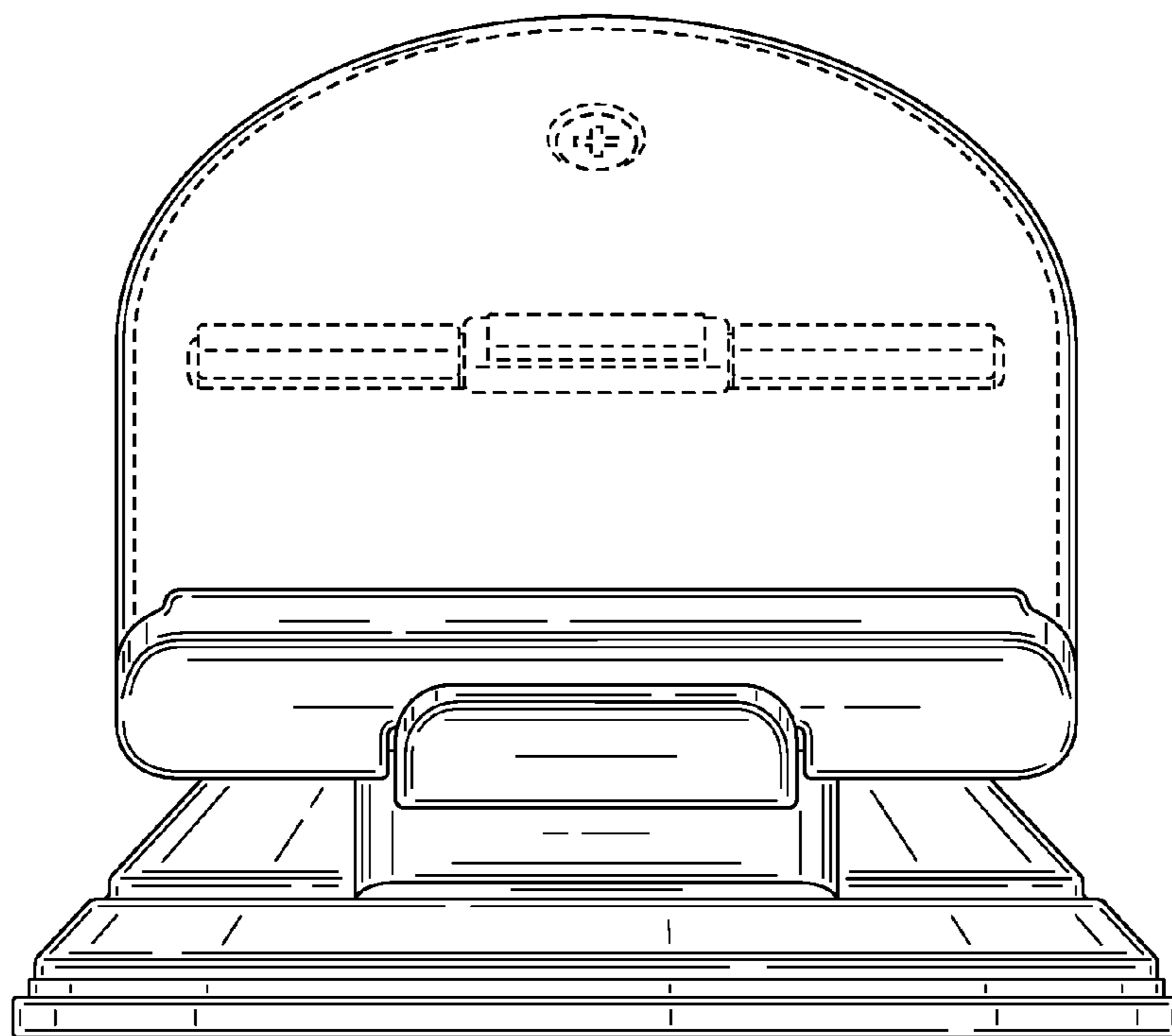


FIG. 4

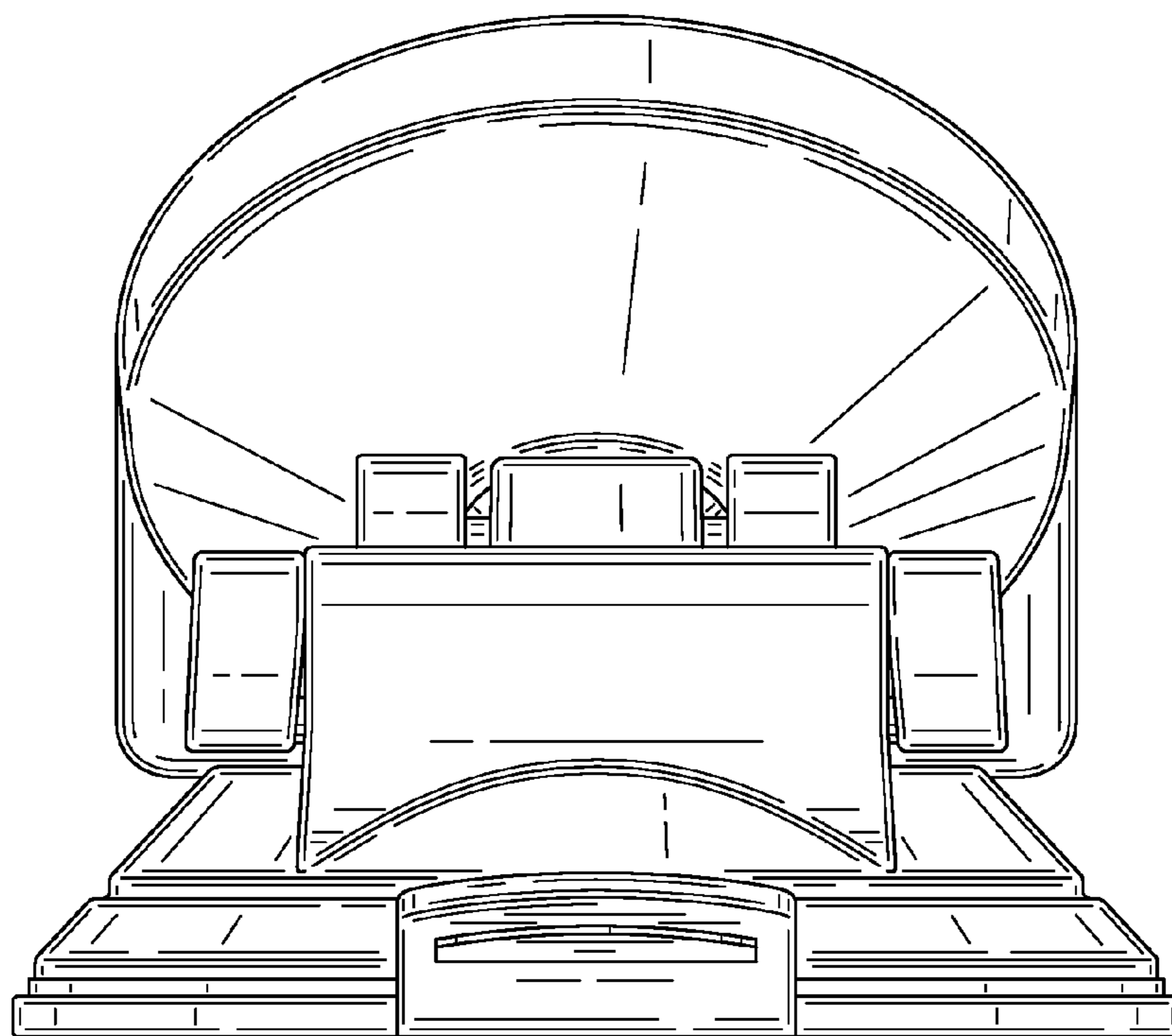


FIG. 5

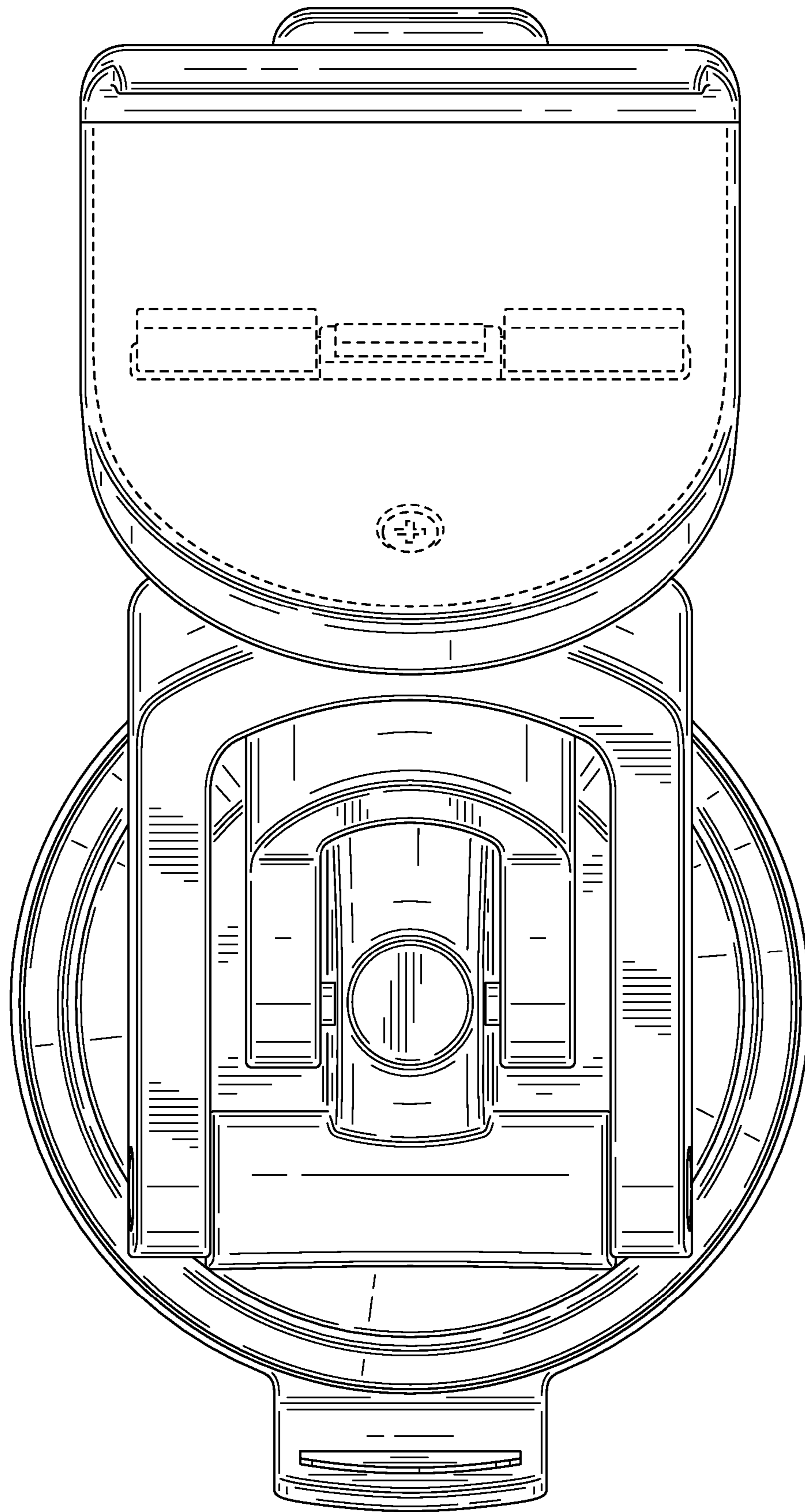


FIG. 6

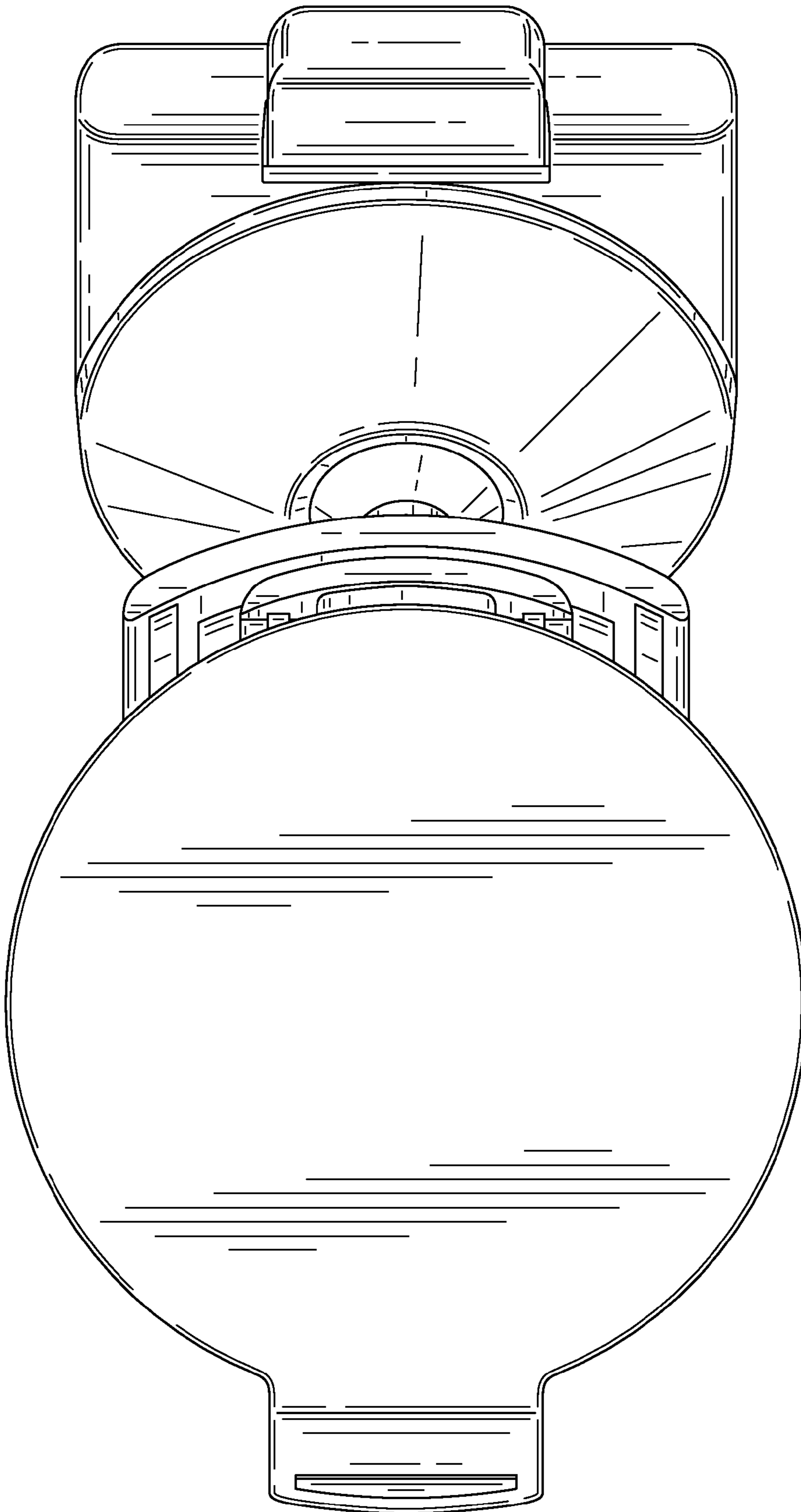


FIG. 7