

US00D592202S

(12) **United States Design Patent**
Burns

(10) **Patent No.:** **US D592,202 S**

(45) **Date of Patent:** **** May 12, 2009**

(54) **HANDSET**

(75) Inventor: **Duncan Burns**, Tarzana, CA (US)

(73) Assignee: **Nokia Corporation**, Espoo (FI)

(**) Term: **14 Years**

(21) Appl. No.: **29/302,791**

(22) Filed: **Jan. 24, 2008**

Related U.S. Application Data

(62) Division of application No. 29/249,684, filed on Oct. 17, 2006, now Pat. No. Des. 560,632.

(51) **LOC (9) Cl.** **14-03**

(52) **U.S. Cl.** **D14/248**

(58) **Field of Classification Search** D14/137,
D14/138, 147, 191, 247-248, 342-347, 496;
D10/65, 78, 104; D13/168; D18/7; 455/556.1,
455/566, 575.1, 575.3; 345/169

See application file for complete search history.

(56) **References Cited**

U.S. PATENT DOCUMENTS

D503,699 S	4/2005	Lee et al.	
D508,240 S	8/2005	Kim et al.	
D508,687 S	8/2005	Lee	
D509,202 S	9/2005	Lee et al.	
D511,342 S	11/2005	Chien	
D525,608 S	7/2006	Ryu	
D526,297 S *	8/2006	Lee et al.	D14/138
D526,301 S	8/2006	Shin	
D526,302 S	8/2006	Kim	
D526,303 S	8/2006	Kim et al.	
D527,716 S *	9/2006	Kim et al.	D14/138
D527,717 S	9/2006	Kim	
D529,475 S *	10/2006	Lee et al.	D14/138
D535,966 S *	1/2007	Lee et al.	D14/138
D545,292 S	6/2007	Lee et al.	
D552,062 S *	10/2007	Kim et al.	D14/138
D553,112 S *	10/2007	Kim et al.	D14/138
D554,092 S *	10/2007	Choi et al.	D14/138
D557,672 S *	12/2007	Bae et al.	D14/138
D560,632 S *	1/2008	Burns et al.	D14/138
D562,279 S *	2/2008	Lee et al.	D14/138
D562,792 S *	2/2008	Lee et al.	D14/138
2005/0124394 A1	6/2005	Kim et al.	
2005/0255897 A1	11/2005	Lee et al.	

2008/0064439 A1* 3/2008 NA 455/556.1

OTHER PUBLICATIONS

O2 XDA Stellar, announced Nov. 2007, [online], [retrieved on Dec. 13, 2007]. Retrieved from Internet, <URL: http://www.gsmarena.com>.*

Samsung E350, announced 1st quarter 2005, [online], [retrieved on Feb. 8, 2007]. Retrieved from Internet, <URL: http://www.gsmarena.com>.

HTC P4550, announced Jul. 2007, [online], [retrieved on Aug. 6, 2007]. Retrieved from Internet, <URL: http://www.gsmarena.com>.

* cited by examiner

Primary Examiner—Jeffrey D Asch

Assistant Examiner—Bridget L Eland

(74) *Attorney, Agent, or Firm*—Banner & Witcoff, Ltd.

(57) **CLAIM**

The ornamental design for a handset, as shown and described.

DESCRIPTION

FIG. 1 is a front view of a first embodiment of a handset showing my new design;

FIG. 2 is a perspective front view thereof;

FIG. 3 is a rear view thereof;

FIG. 4 is a perspective rear view thereof;

FIG. 5 is a front view of a second embodiment of a handset showing my new design;

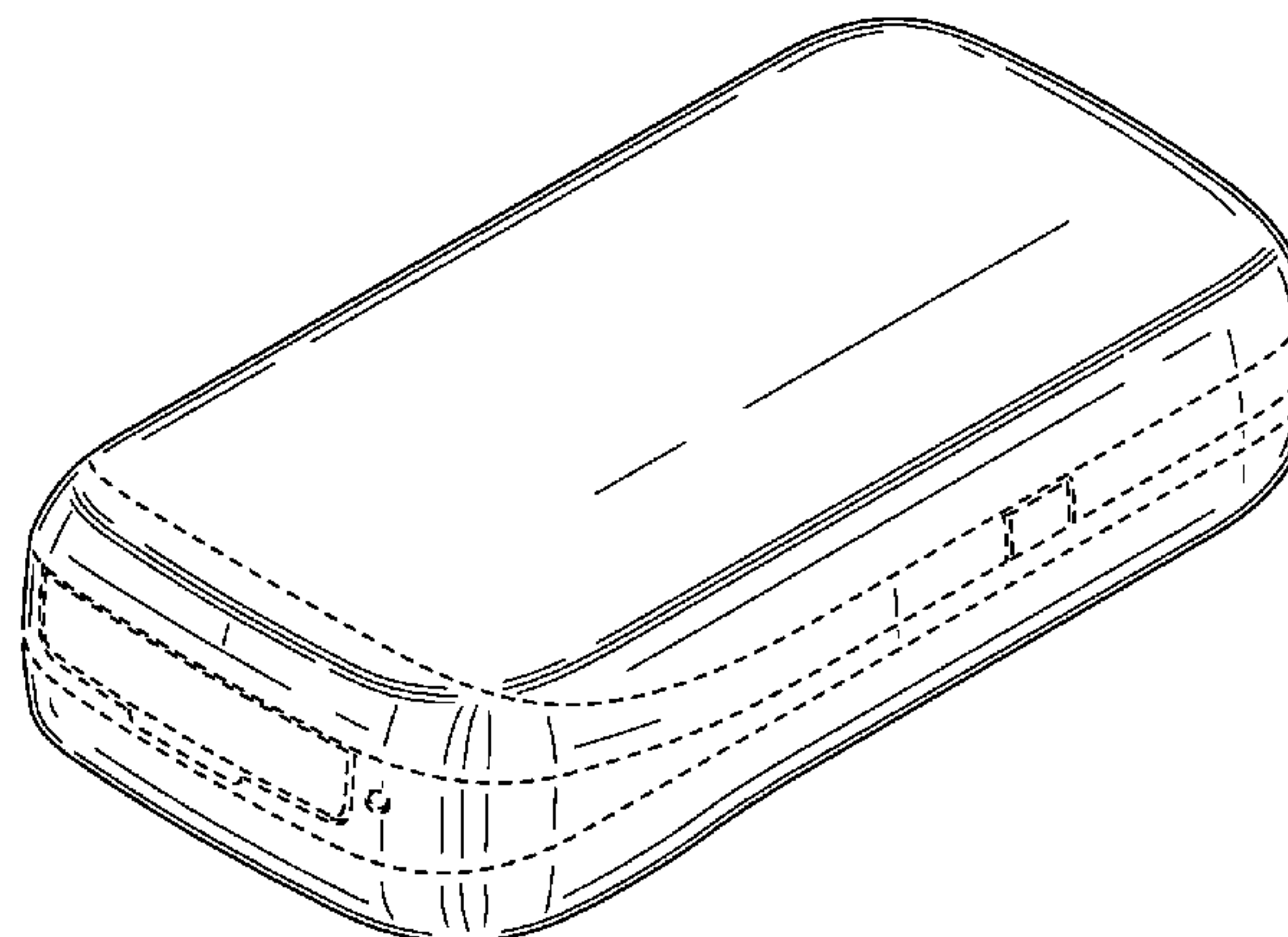
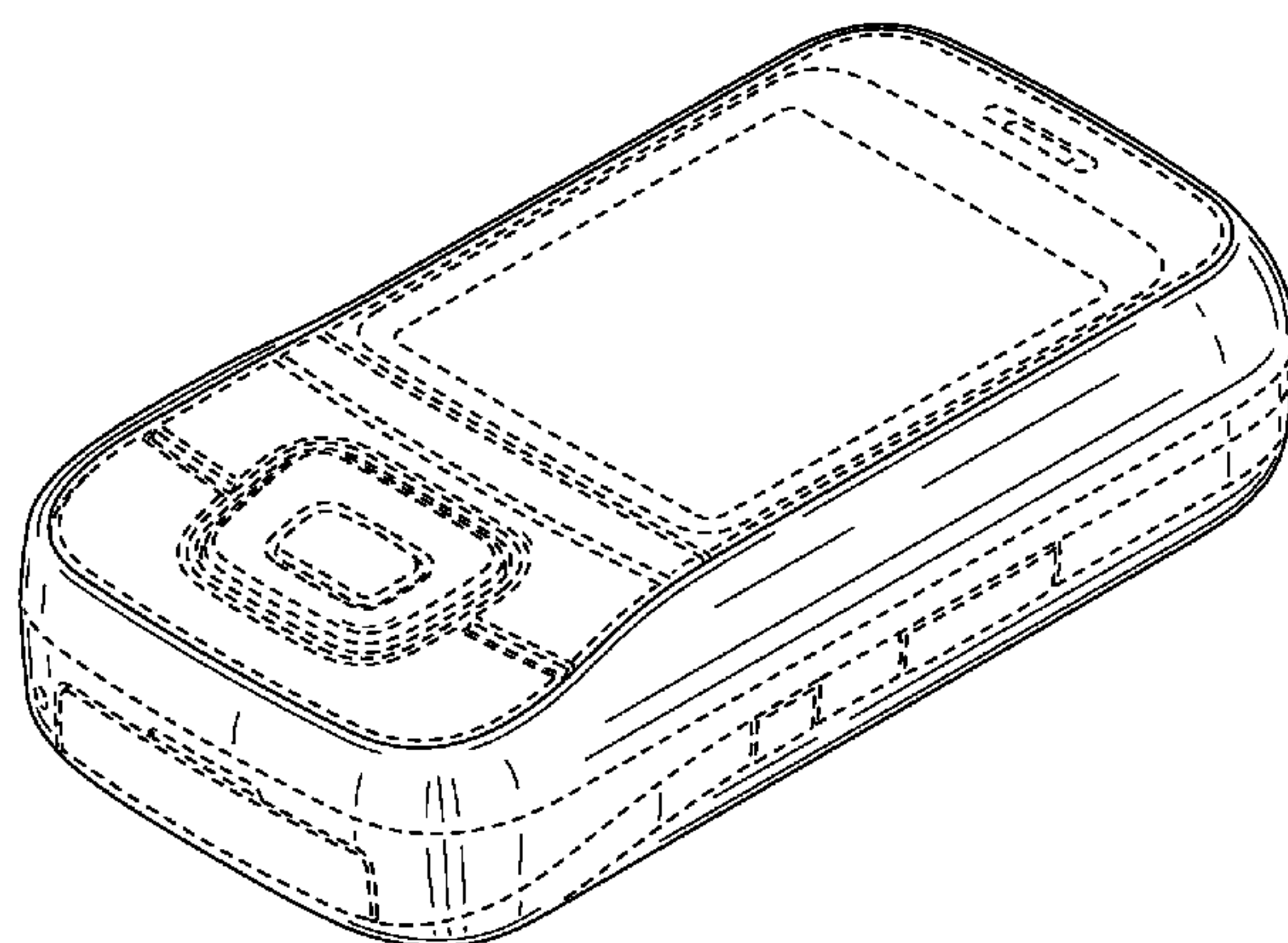
FIG. 6 is a perspective front view thereof;

FIG. 7 is a rear view thereof; and,

FIG. 8 is a perspective rear view thereof.

The generally rectangular-shaped region disposed generally centrally on the handset in FIGS. 1-2 represents a screen display. The broken lines immediately adjacent the shaded areas, and that encompass non-shaded regions, represent the bounds of the claimed design while all other broken lines are directed to environment and are for illustrative purposes only; the broken lines form no part of the embodiment in which they are shown.

1 Claim, 8 Drawing Sheets



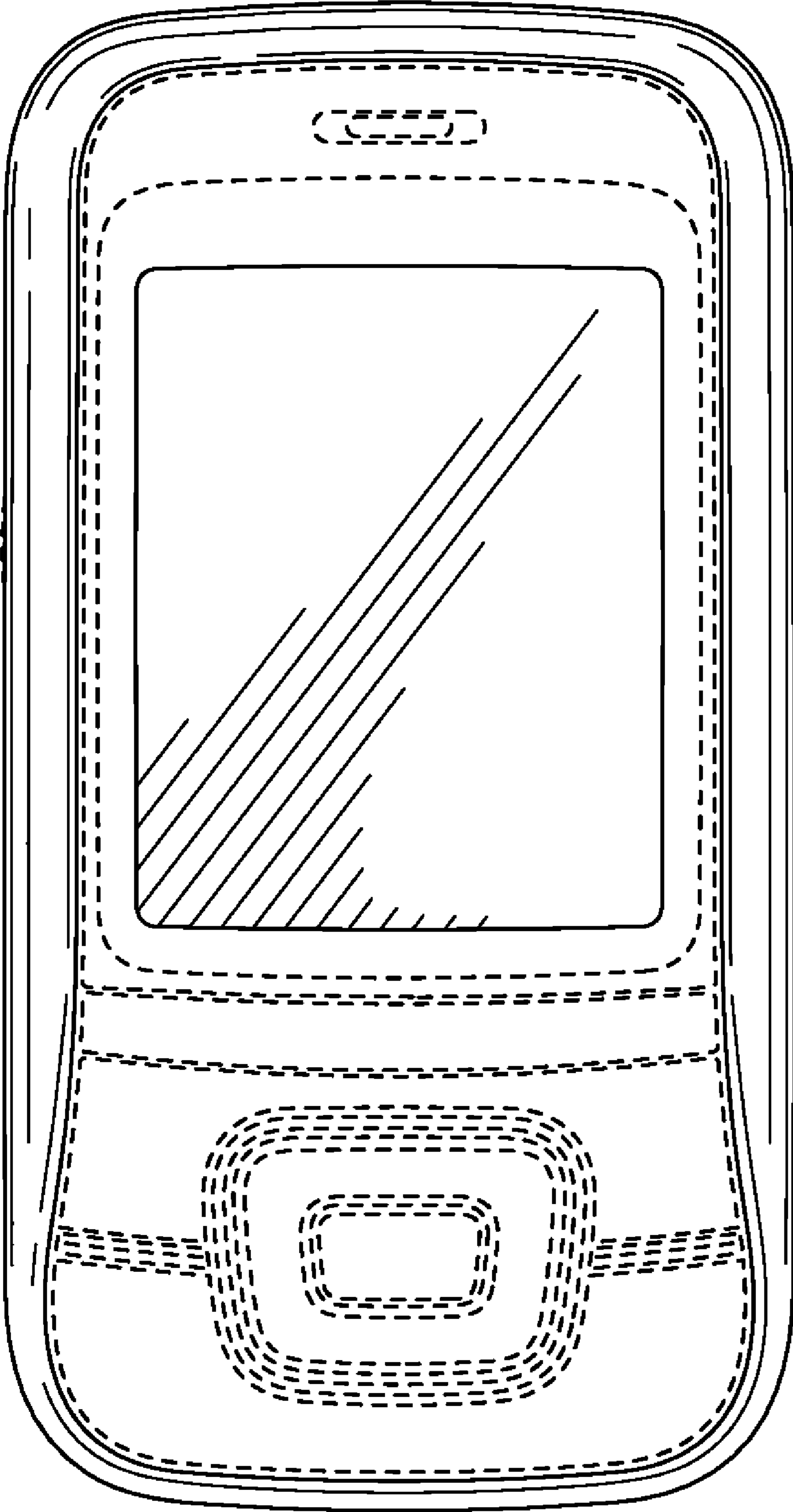


FIG. 1

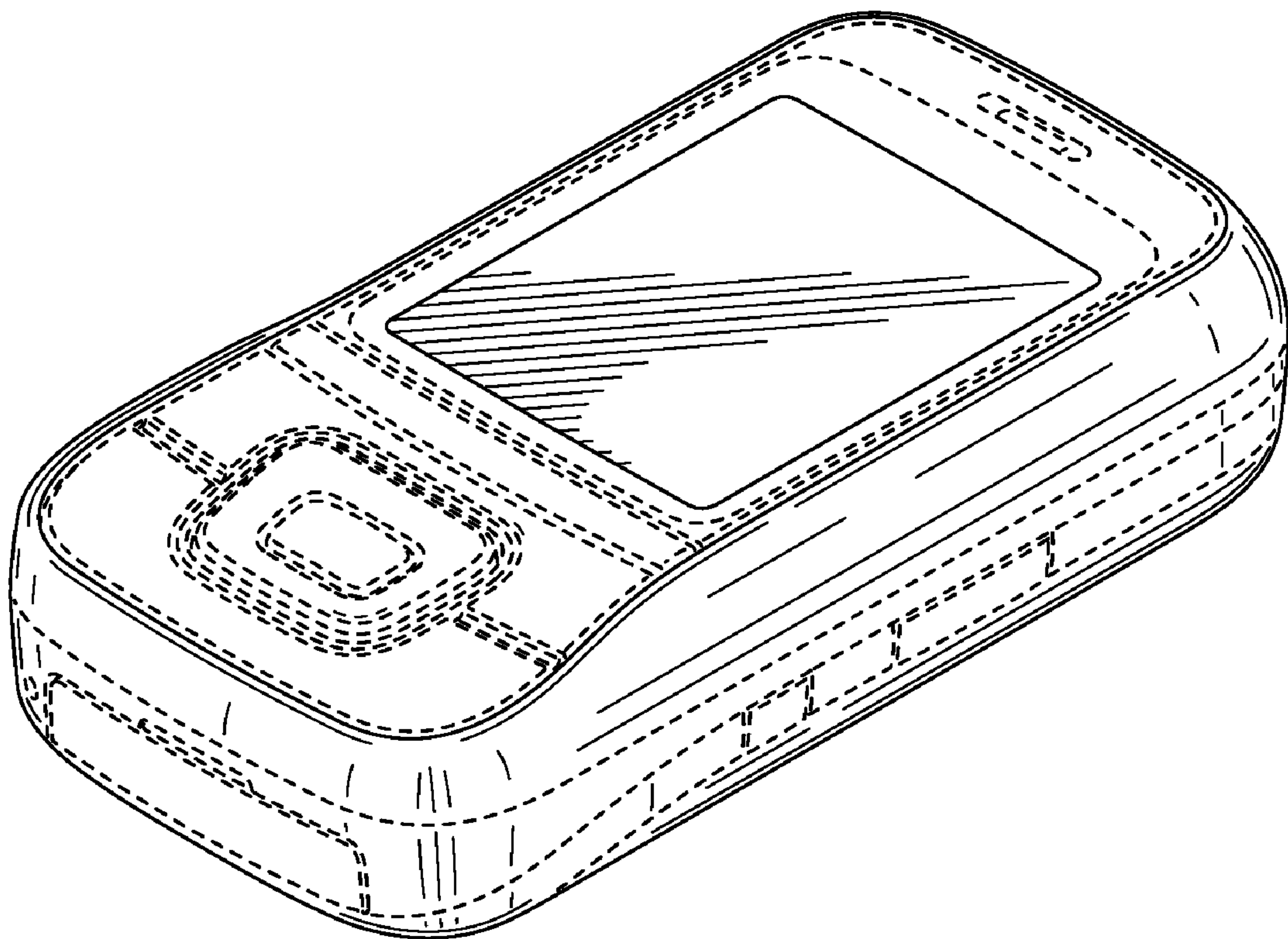


FIG. 2

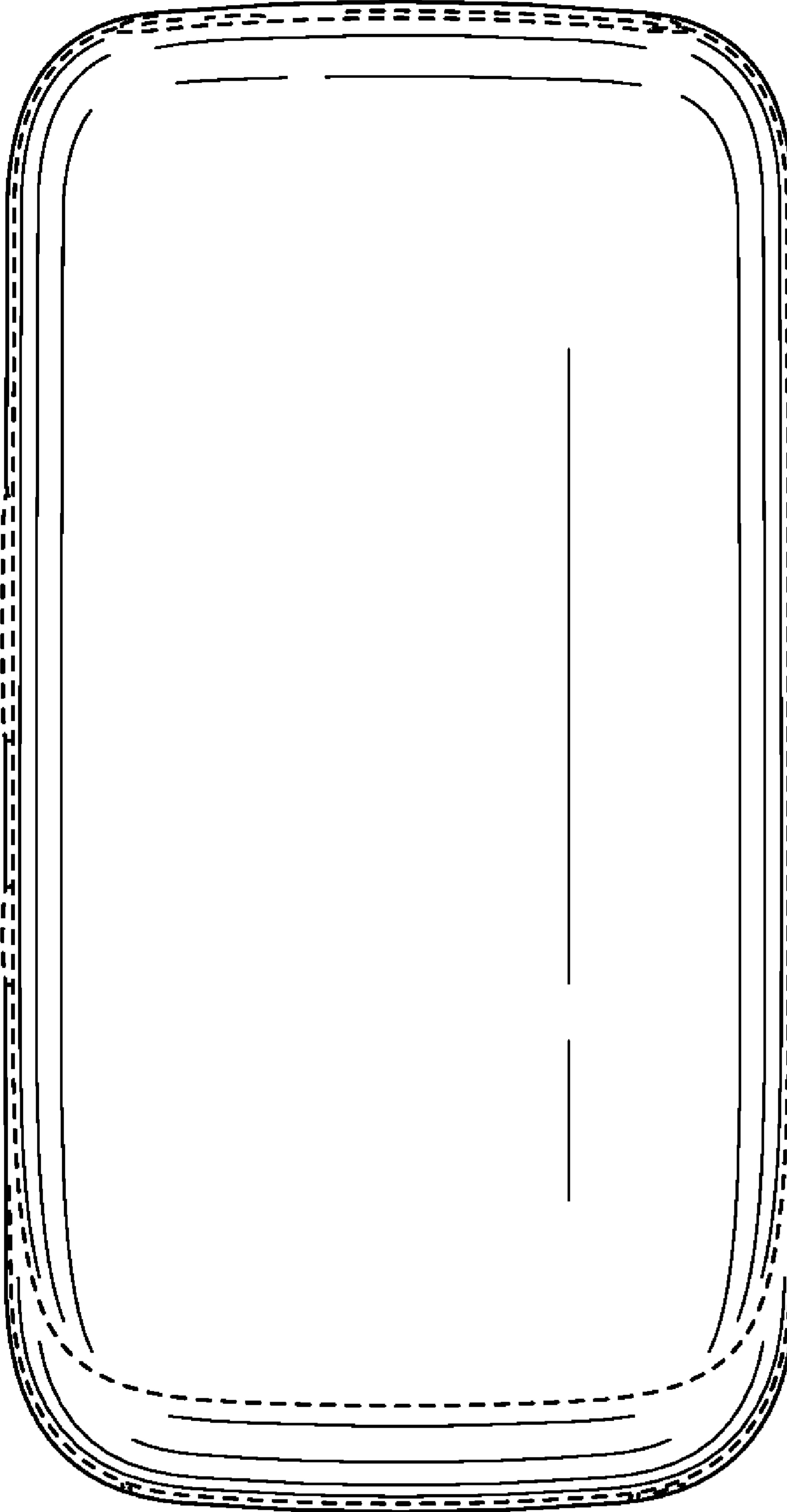


FIG. 3

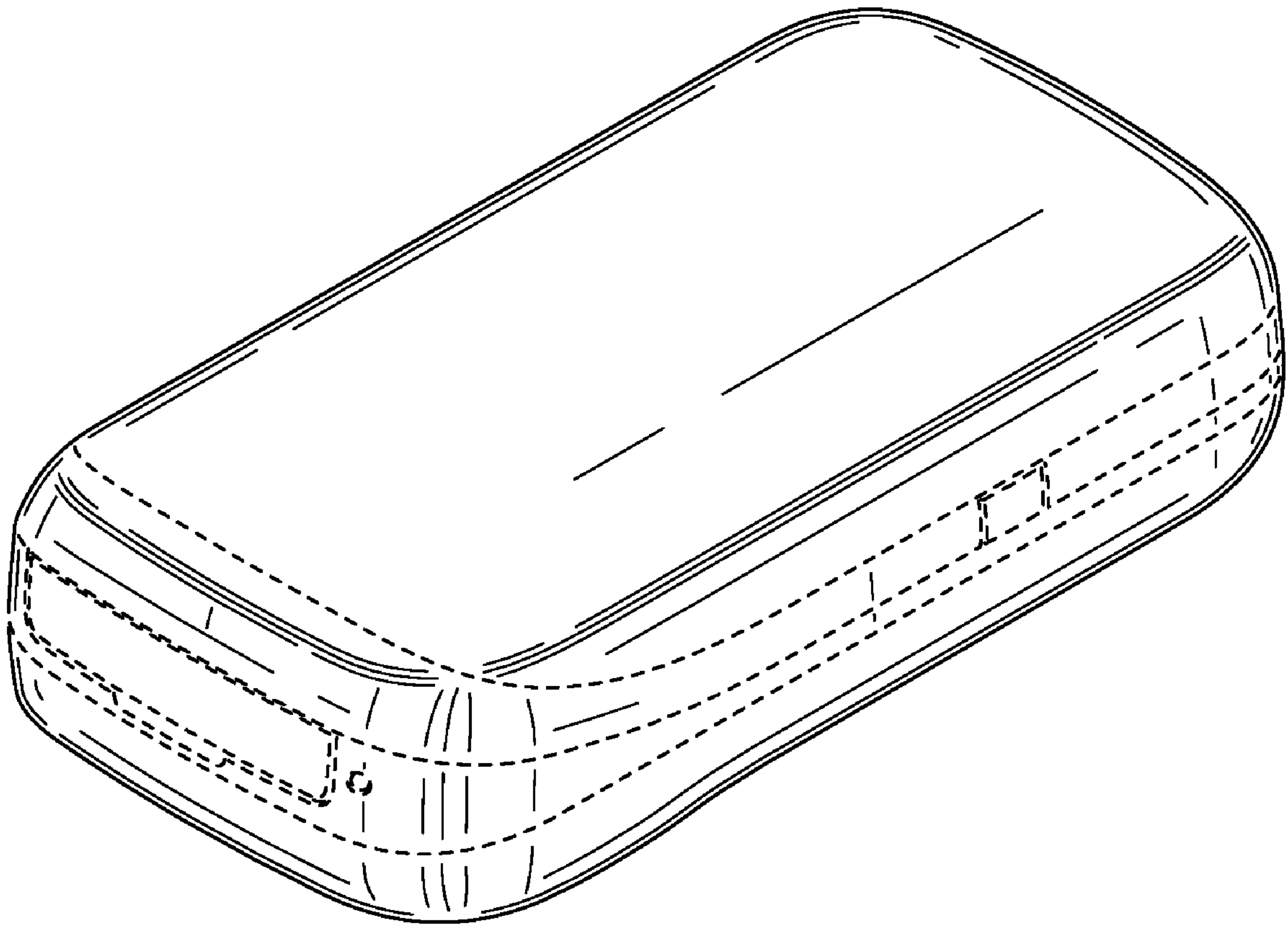


FIG. 4

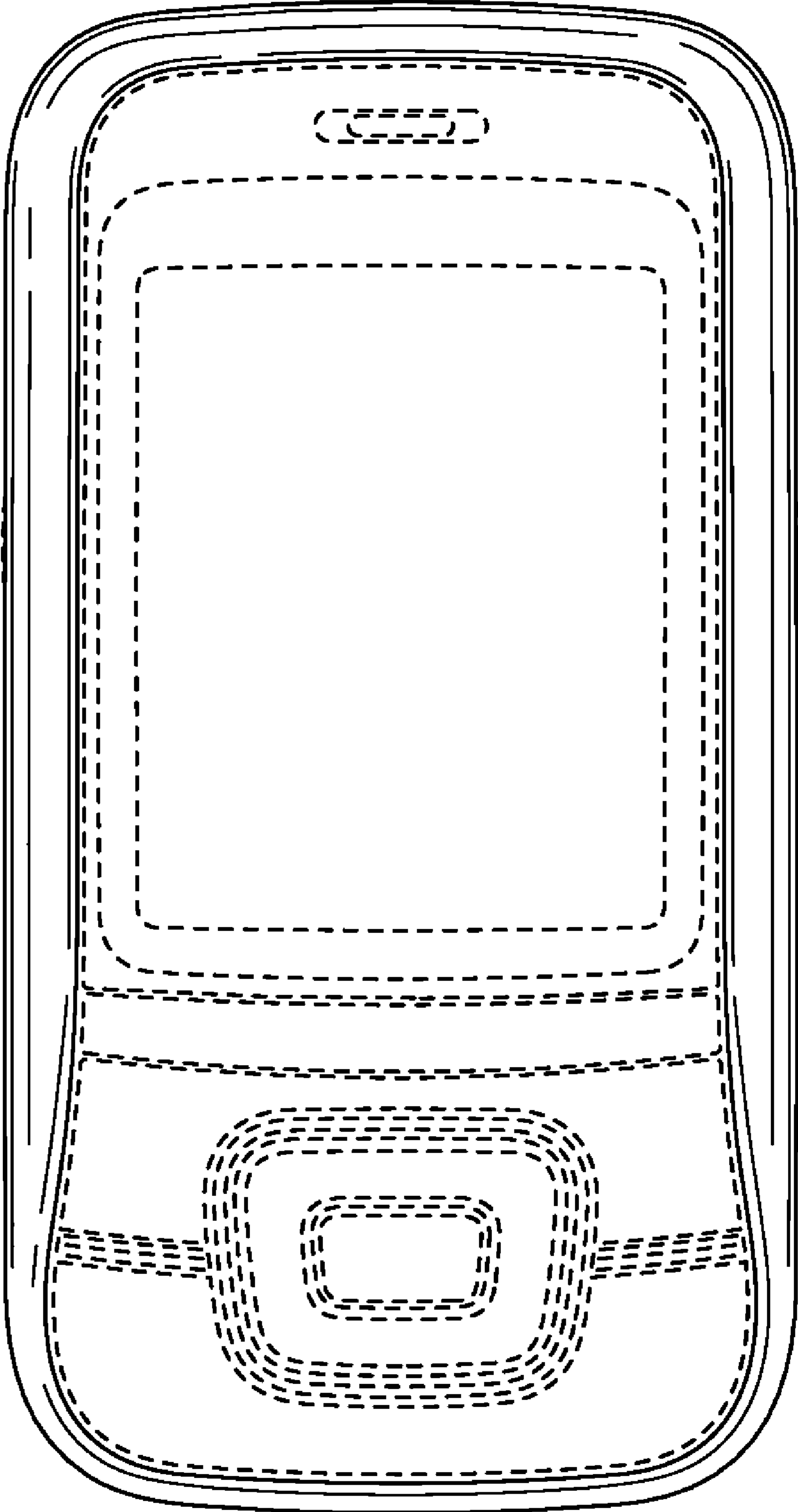


FIG. 5

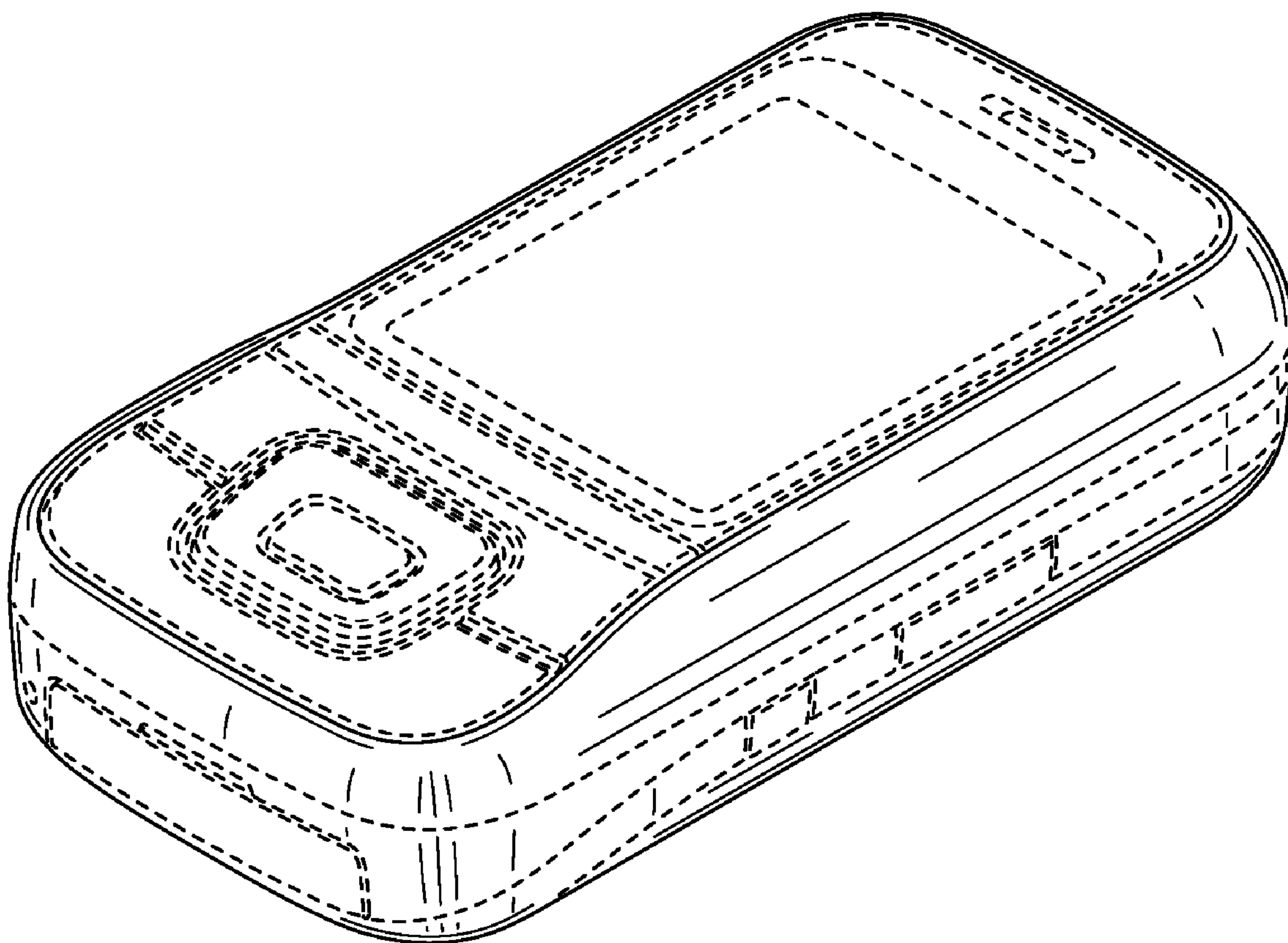


FIG. 6

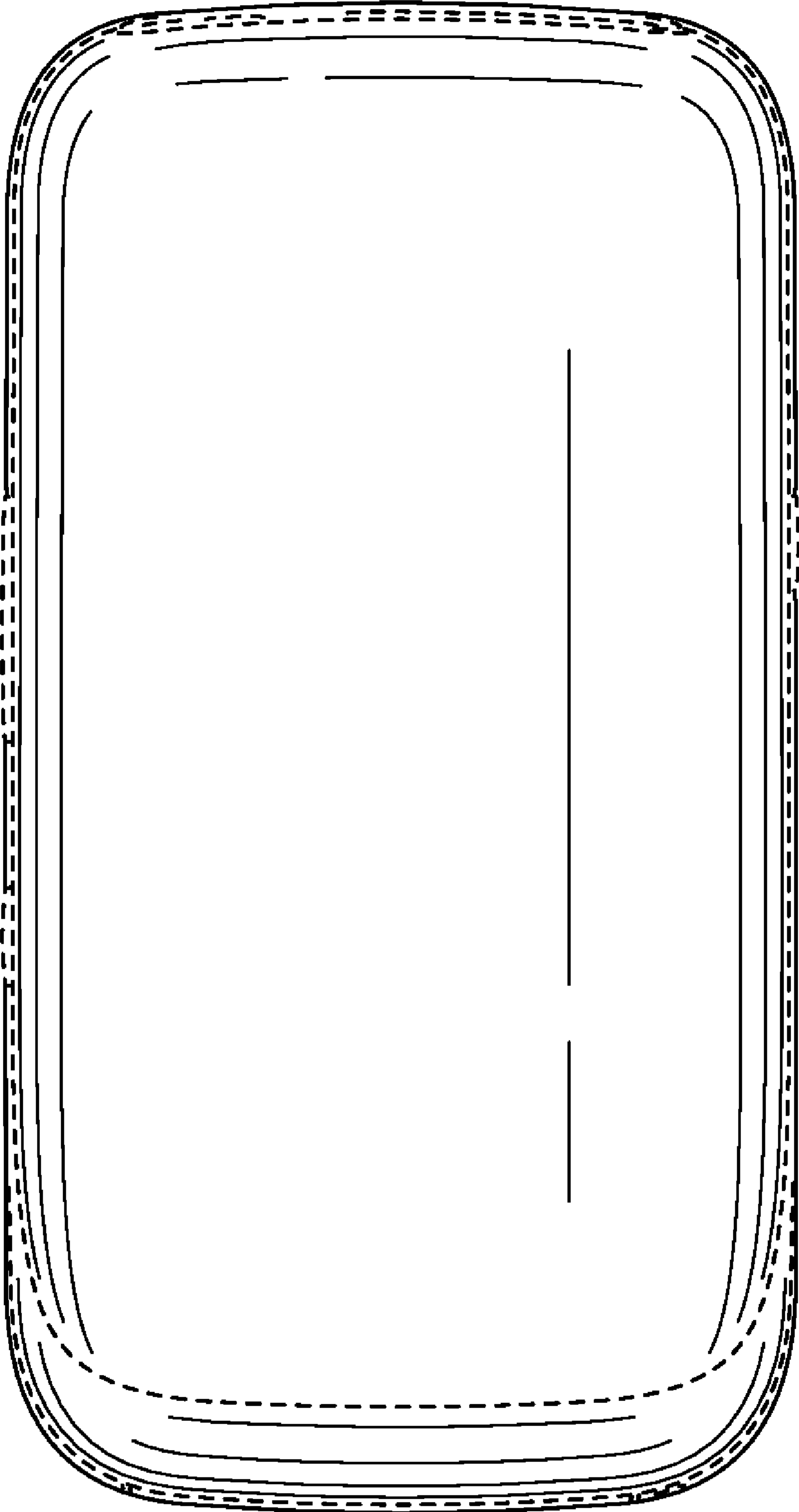


FIG. 7

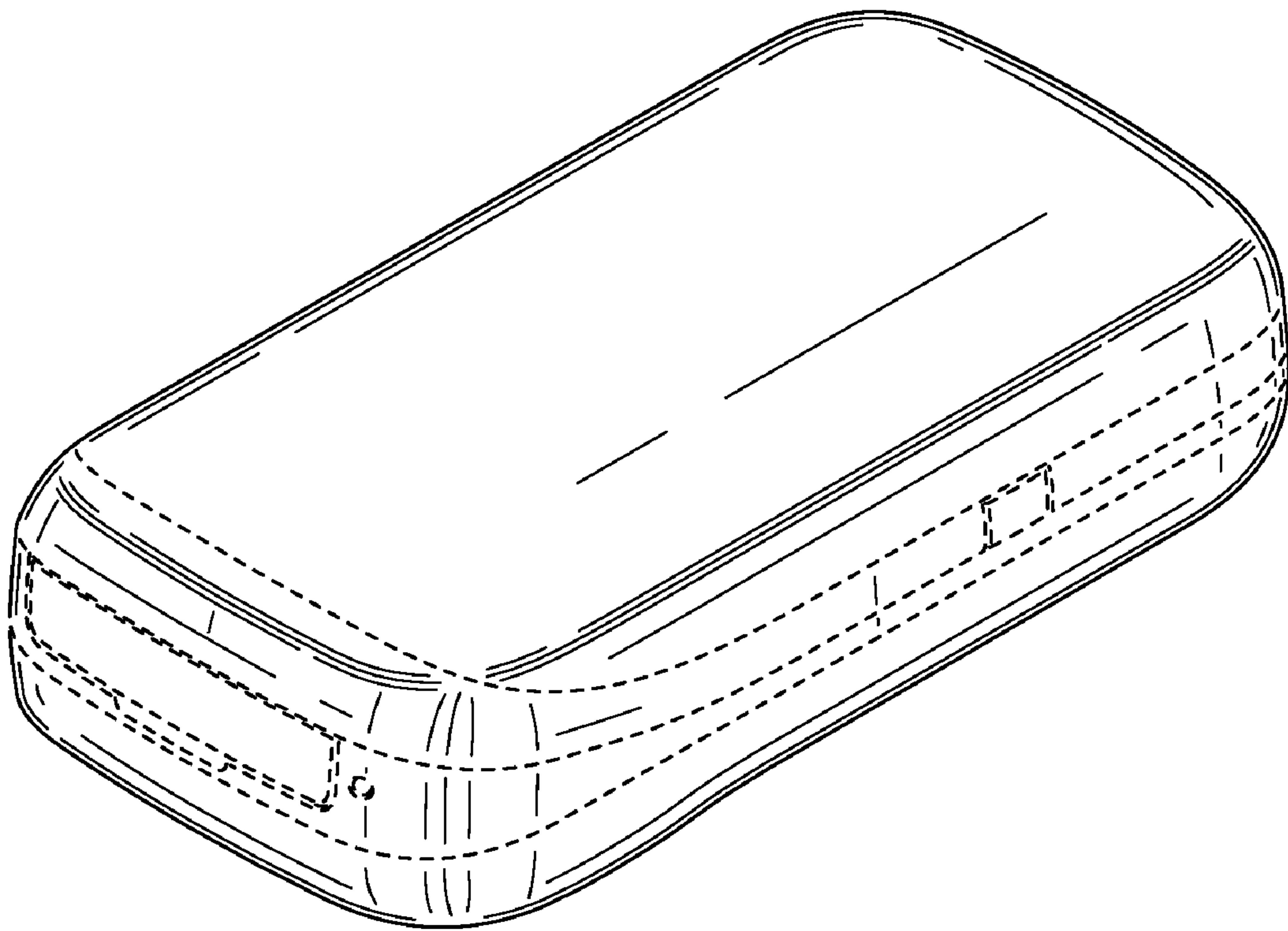


FIG. 8