

US00D592194S

(12) **United States Design Patent**  
**Kaneko**

(10) **Patent No.:** **US D592,194 S**

(45) **Date of Patent:** **\*\* May 12, 2009**

(54) **DIGITAL ANTENNA**

(75) Inventor: **Takuji Kaneko**, Daito (JP)

(73) Assignee: **Funai Electric Co., Ltd.**, Osaka (JP)

(\*\*) Term: **14 Years**

(21) Appl. No.: **29/306,279**

(22) Filed: **Apr. 4, 2008**

(30) **Foreign Application Priority Data**

Dec. 27, 2007 (JP) ..... 2007-036003

(51) **LOC (9) Cl.** ..... **14-03**

(52) **U.S. Cl.** ..... **D14/230**

(58) **Field of Classification Search** ..... D14/230-238,  
D14/299, 358; 343/700 R, 840, 841, 908;  
455/3.02, FOR. 215, 575.2, 19, 562.1, 575.7,  
455/269

See application file for complete search history.

(56) **References Cited**

**U.S. PATENT DOCUMENTS**

D333,470 S \* 2/1993 Vong ..... D14/230  
D347,637 S \* 6/1994 Burchardt et al. .... D14/230  
D364,874 S \* 12/1995 Cheng ..... D14/235  
D396,041 S \* 7/1998 Read ..... D14/238  
D440,965 S \* 4/2001 Inoue ..... D14/235

6,346,919 B1 \* 2/2002 Wang et al. .... 343/767  
D468,302 S \* 1/2003 Sato ..... D14/235  
D548,730 S \* 8/2007 Inoue ..... D14/230  
D553,124 S \* 10/2007 Joughin et al. .... D14/230  
2002/0167449 A1 \* 11/2002 Frazita et al. .... 343/756

\* cited by examiner

*Primary Examiner*—Robert M Spear

*Assistant Examiner*—John Windmuller

(74) *Attorney, Agent, or Firm*—Sughrue Mion, PLLC

(57) **CLAIM**

The ornamental design for a digital antenna, as shown and described.

**DESCRIPTION**

FIG. 1 is a perspective view of the digital antenna;

FIG. 2 is a front view thereof;

FIG. 3 is a rear view thereof;

FIG. 4 is a right side view thereof;

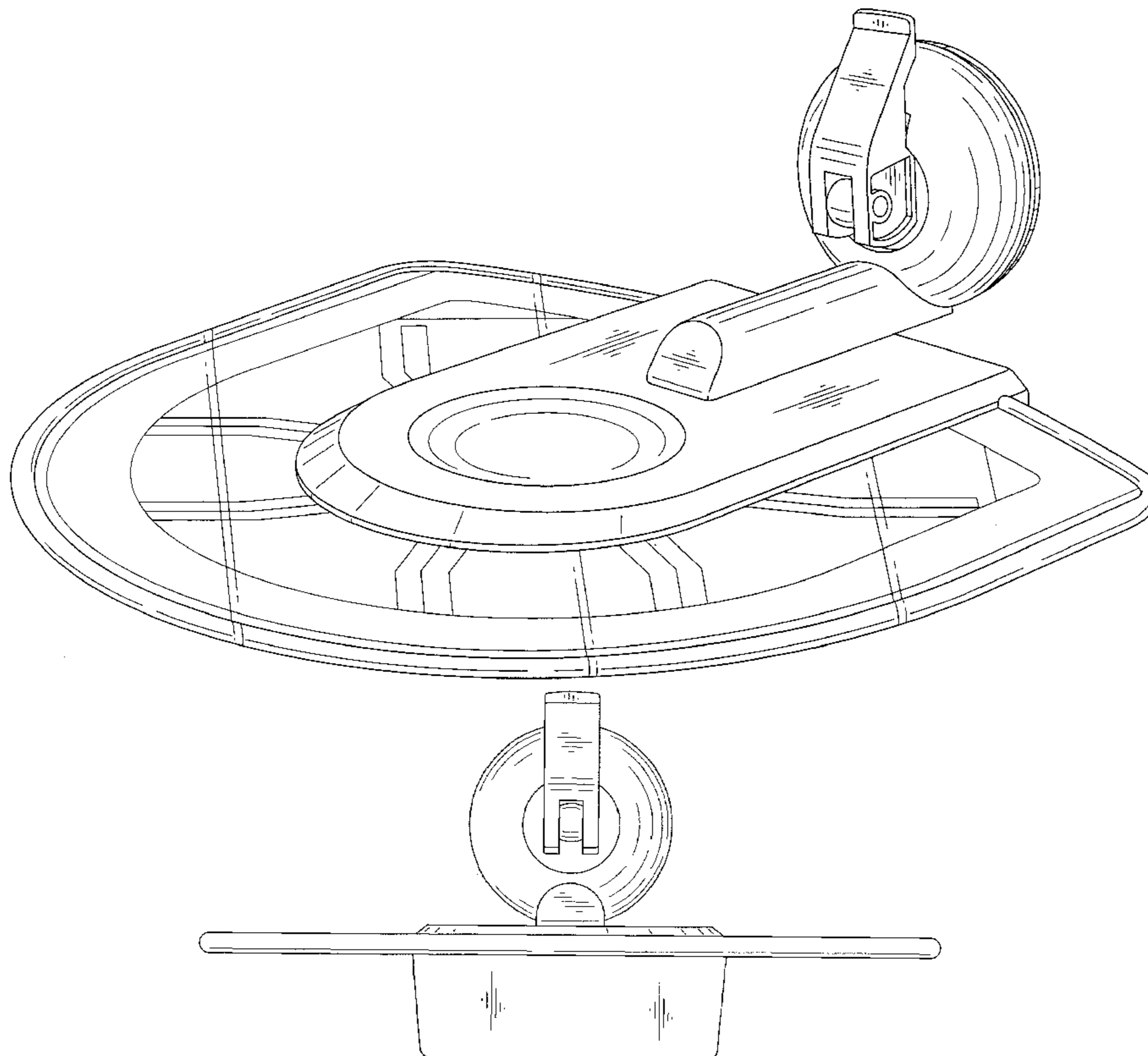
FIG. 5 is a left side view thereof;

FIG. 6 is a top view thereof; and,

FIG. 7 is a bottom view thereof.

The broken line showing of the interior of a suction cup in FIG. 3 illustrates environment only and forms no part of the claimed design.

**1 Claim, 5 Drawing Sheets**



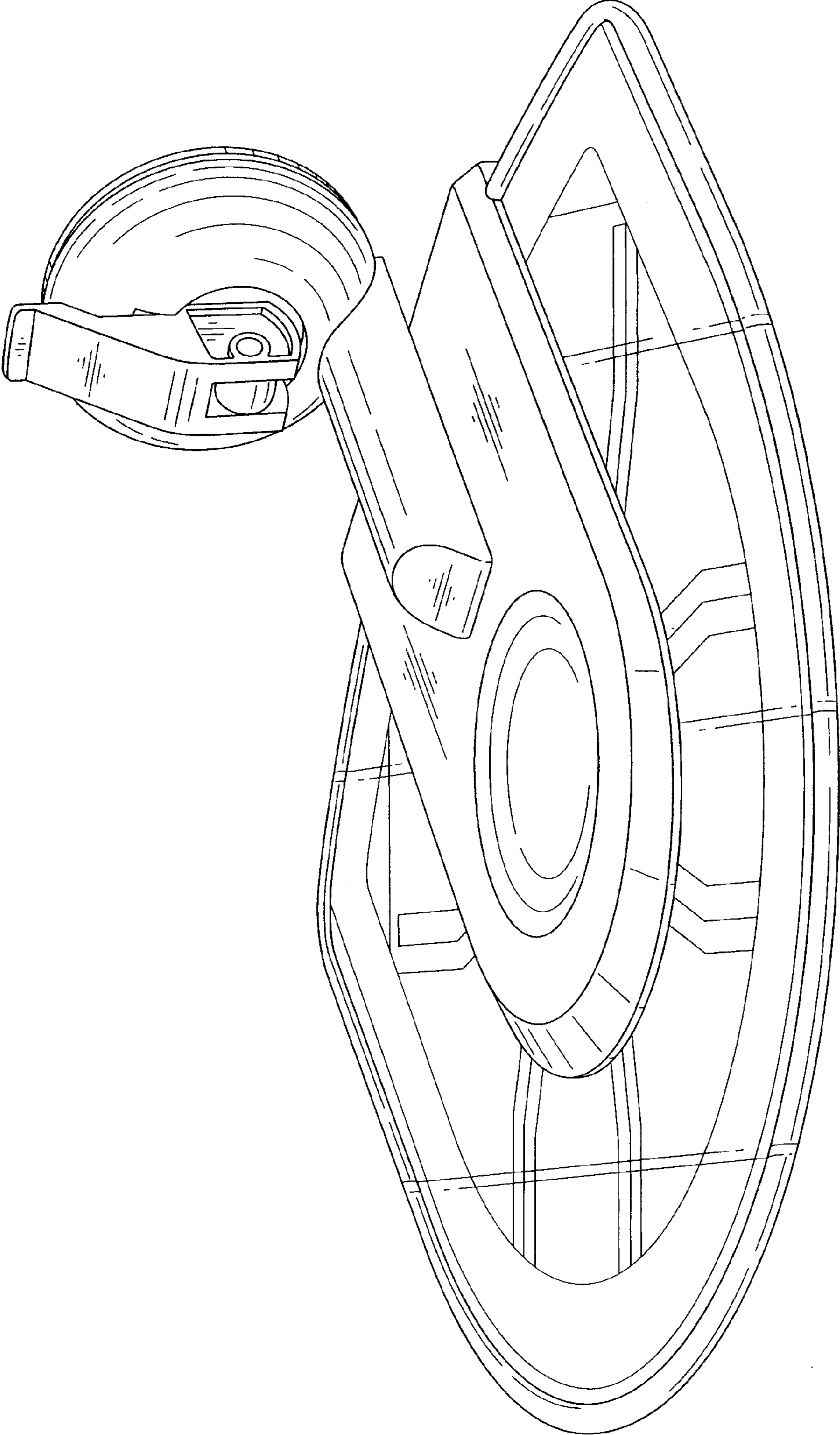


FIG. 1

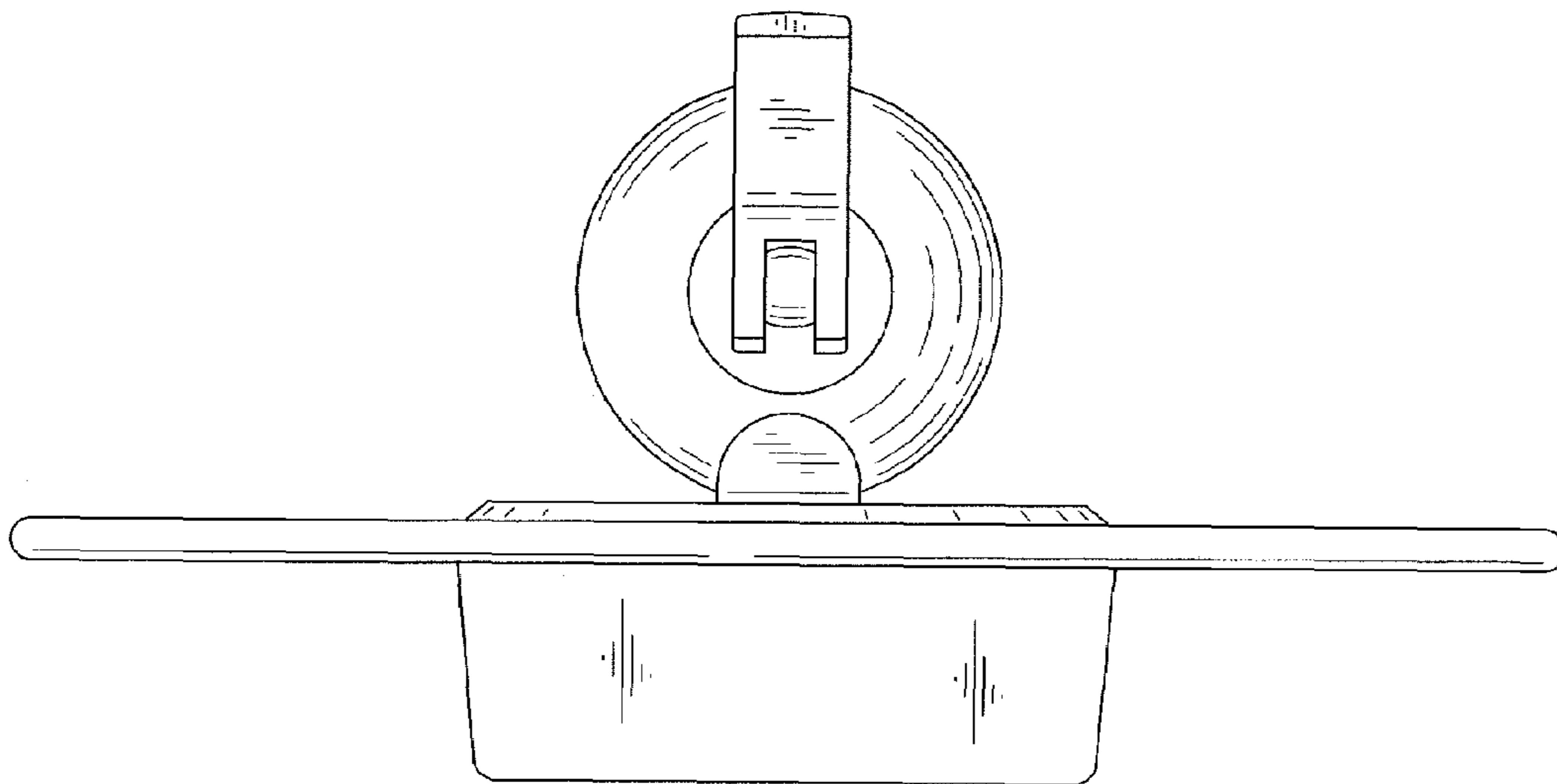


FIG. 2

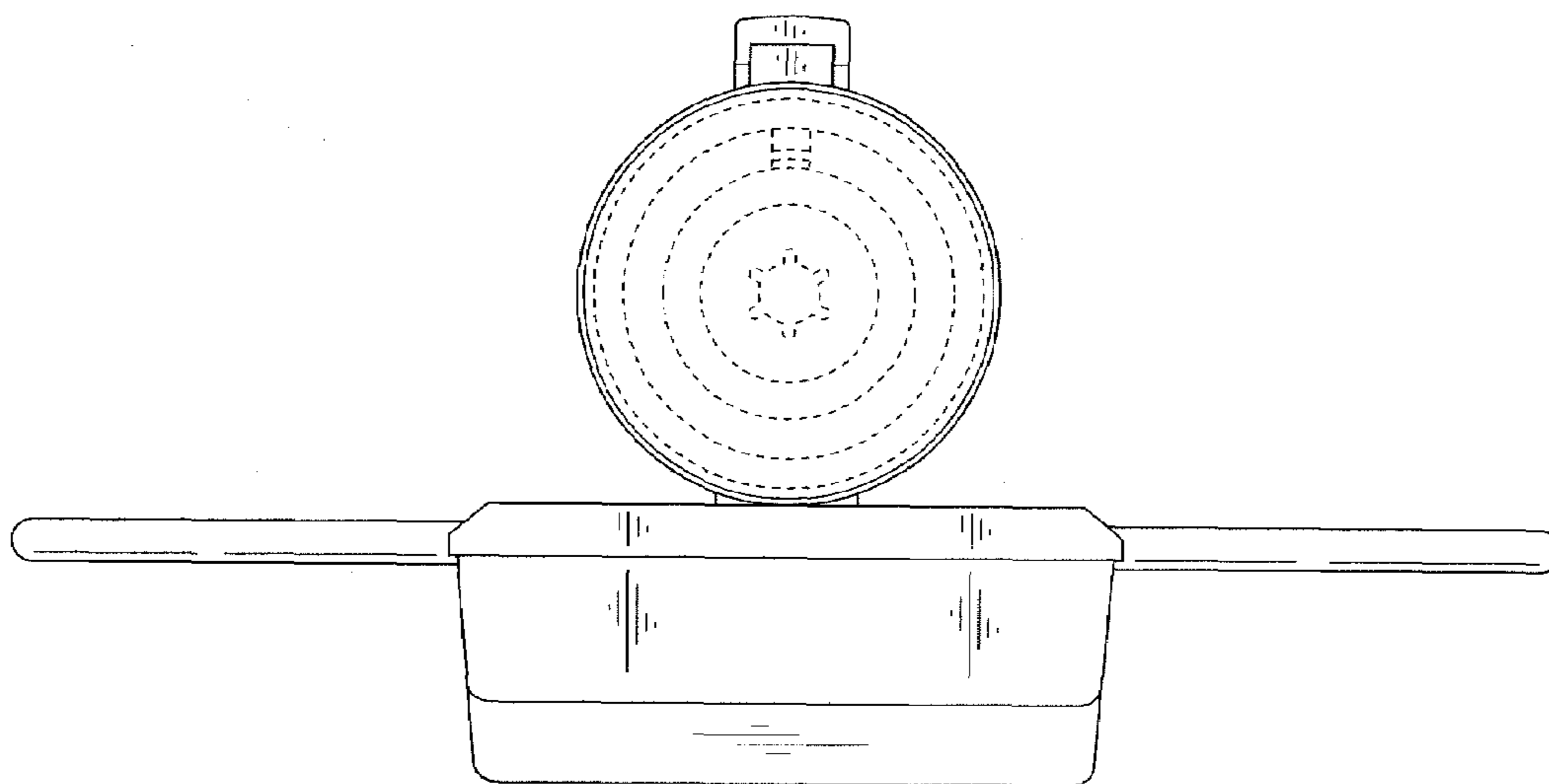


FIG. 3

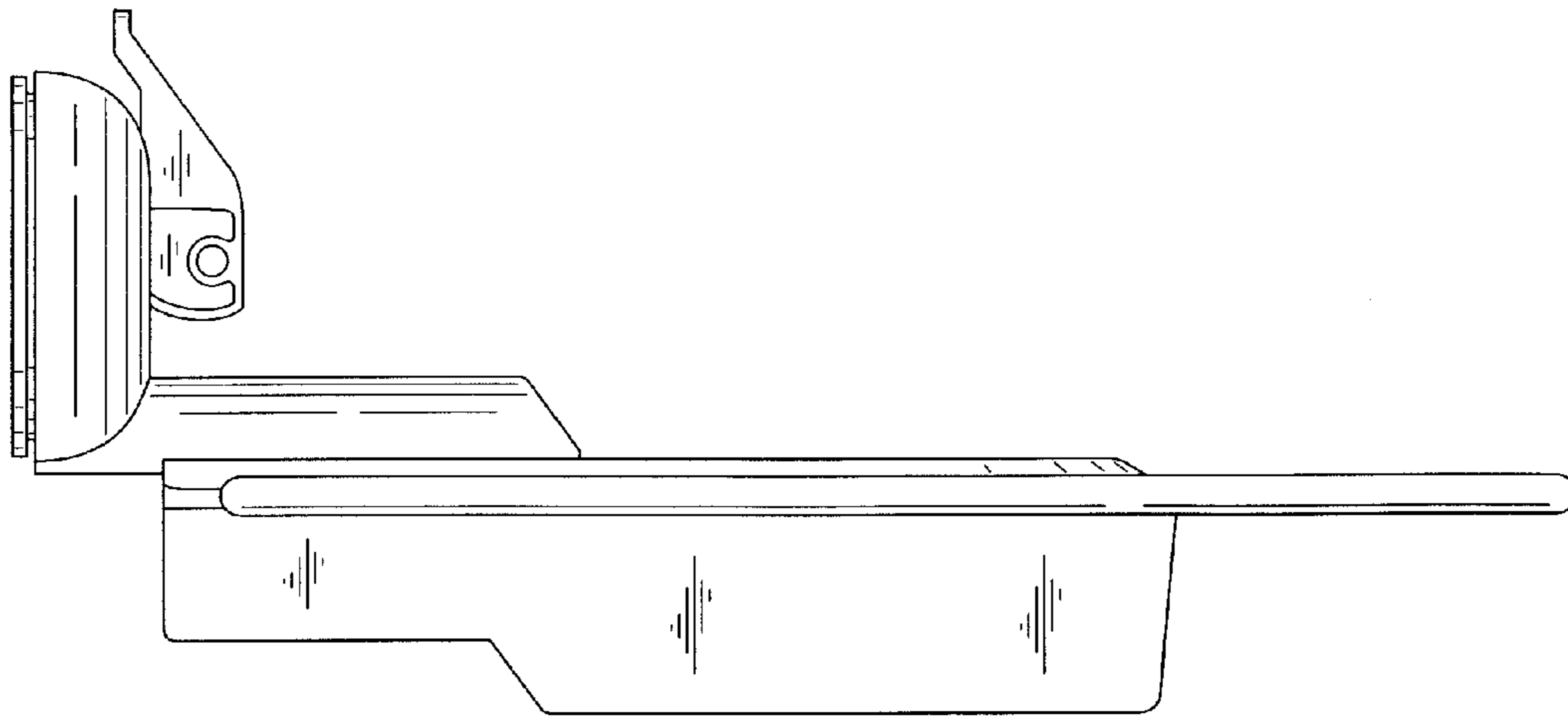


FIG. 4

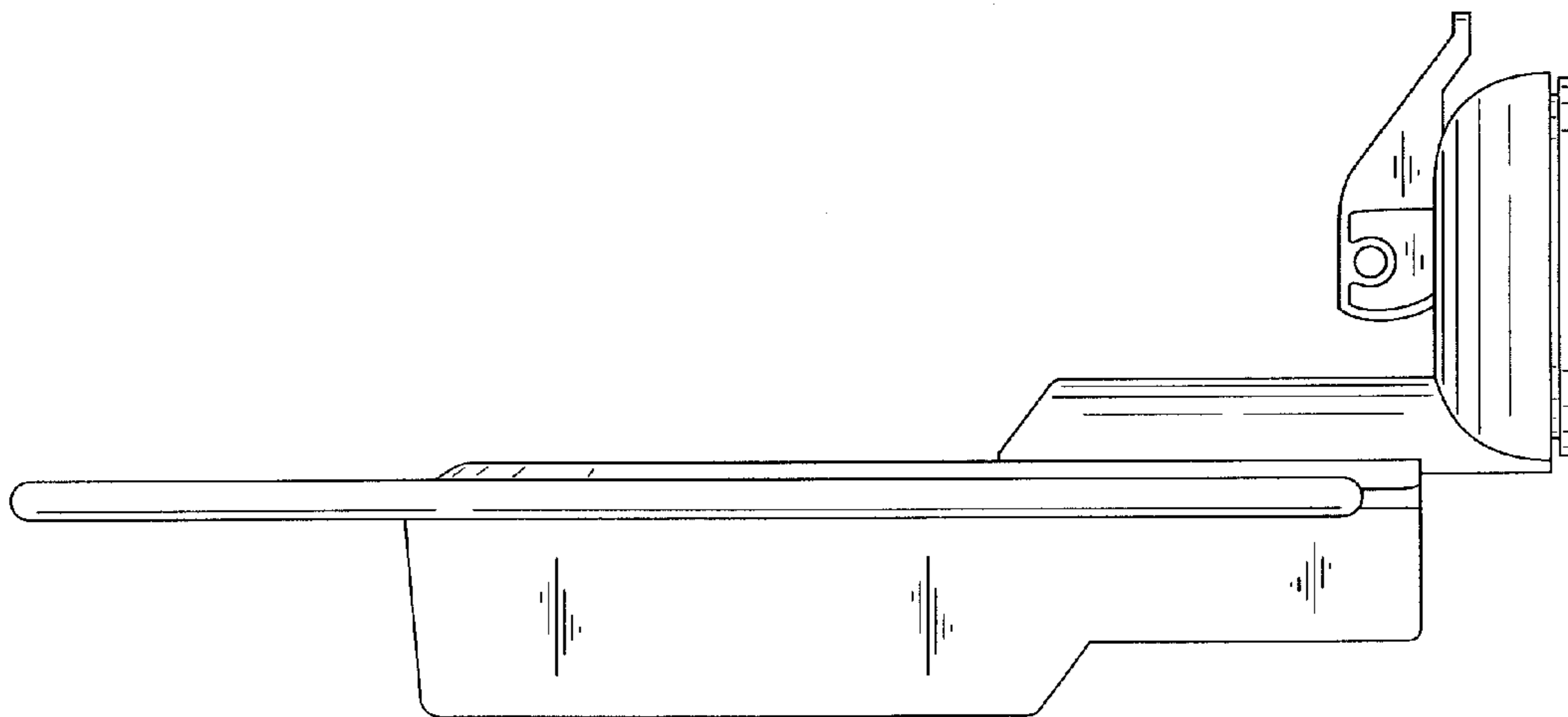


FIG. 5

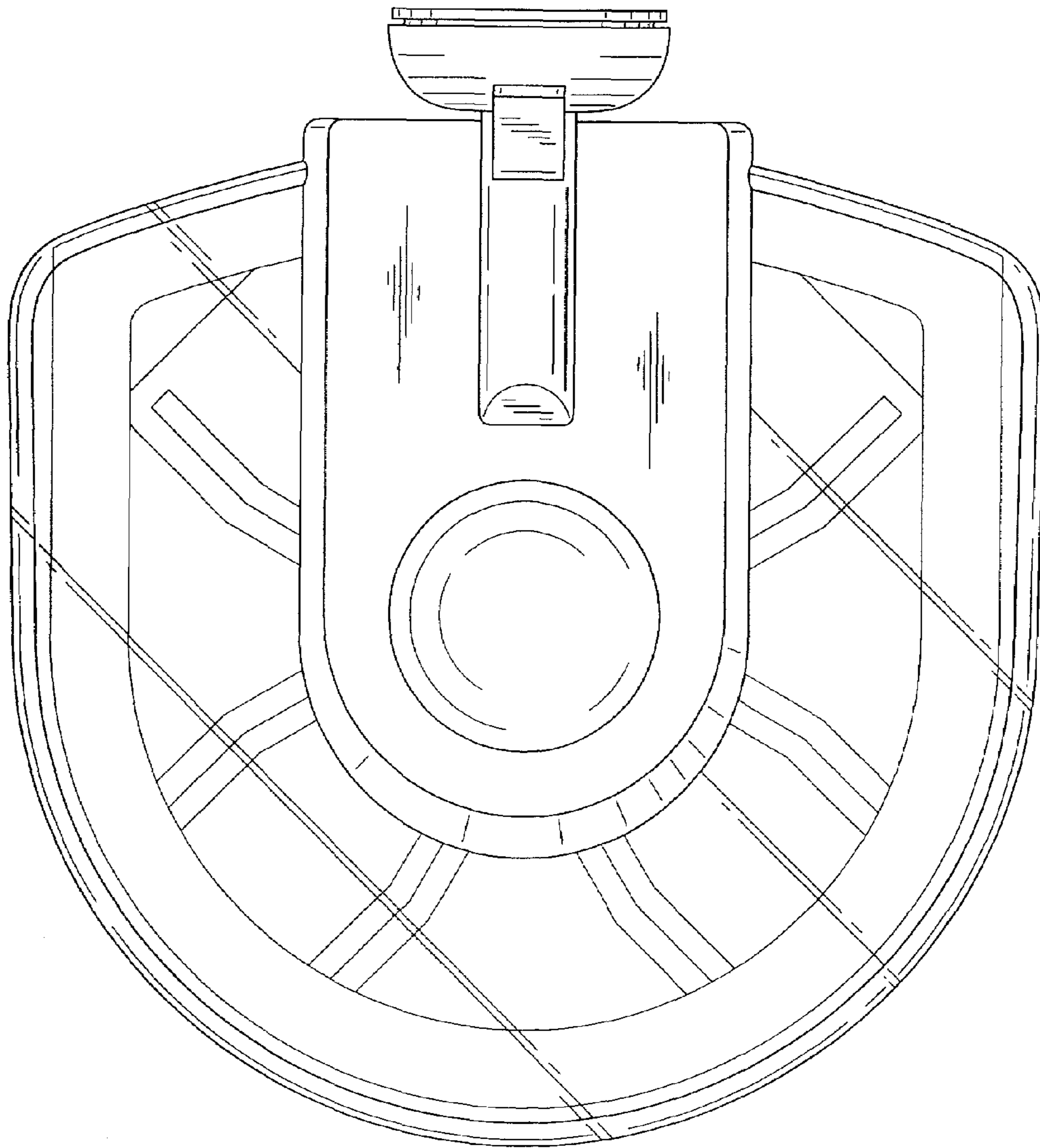


FIG. 6

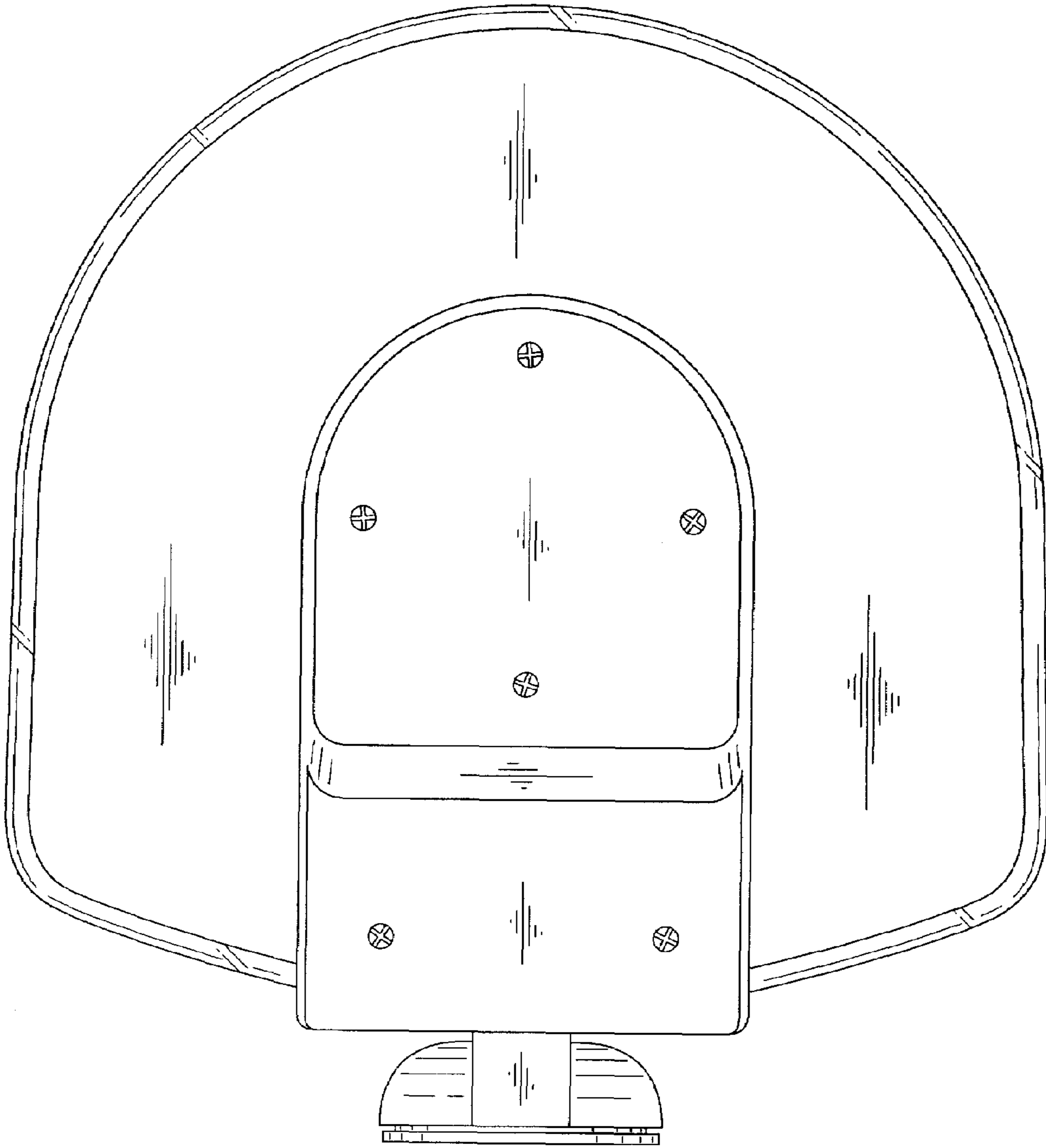


FIG. 7