



US00D592188S

(12) **United States Design Patent**
Huang

(10) **Patent No.:** **US D592,188 S**

(45) **Date of Patent:** **** May 12, 2009**

(54) **ELECTRONIC DEVICE HOLDER**

(76) Inventor: **Chao-Kuang Huang**, 5F-2, No. 447,
Sec. 3, Wenxin Rd., Taichung City 406
(TW)

(**) Term: **14 Years**

(21) Appl. No.: **29/319,255**

(22) Filed: **Jun. 6, 2008**

(51) **LOC (9) Cl.** **14-03**

(52) **U.S. Cl.** **D14/217; D14/447**

(58) **Field of Classification Search** D14/149,
D14/203.1-203.8, 217, 224, 224.1, 238.1,
D14/251, 341, 356, 358, 432, 434, 435, 447,
D14/496; D13/107, 108, 118; 455/556.1-556.2,
455/557; 248/221.11, 309.1, 175; 320/107,
320/110, 113-115; 361/600, 679, 683, 686;
439/529, 534

See application file for complete search history.

(56) **References Cited**

U.S. PATENT DOCUMENTS

D413,110 S *	8/1999	Sweere et al.	D14/447
D557,259 S *	12/2007	Hirsch	D14/217
D560,068 S *	1/2008	Dixon	D3/218
D564,220 S *	3/2008	Dixon	D3/218
D582,894 S *	12/2008	Richter	D14/217

* cited by examiner

Primary Examiner—Stella M Reid

Assistant Examiner—Keli L Hill

(74) *Attorney, Agent, or Firm*—Ming Chow; Sinorica, LLC

(57) **CLAIM**

The ornamental design for an electronic device holder, as shown and described.

DESCRIPTION

FIG. 1 is a perspective view of an electronic device holder showing our new design;

FIG. 2 is a front elevational view thereof;

FIG. 3 is a rear elevational view thereof;

FIG. 4 is a left side elevational view thereof;

FIG. 5 is a right side elevational view thereof;

FIG. 6 is a top plan view thereof;

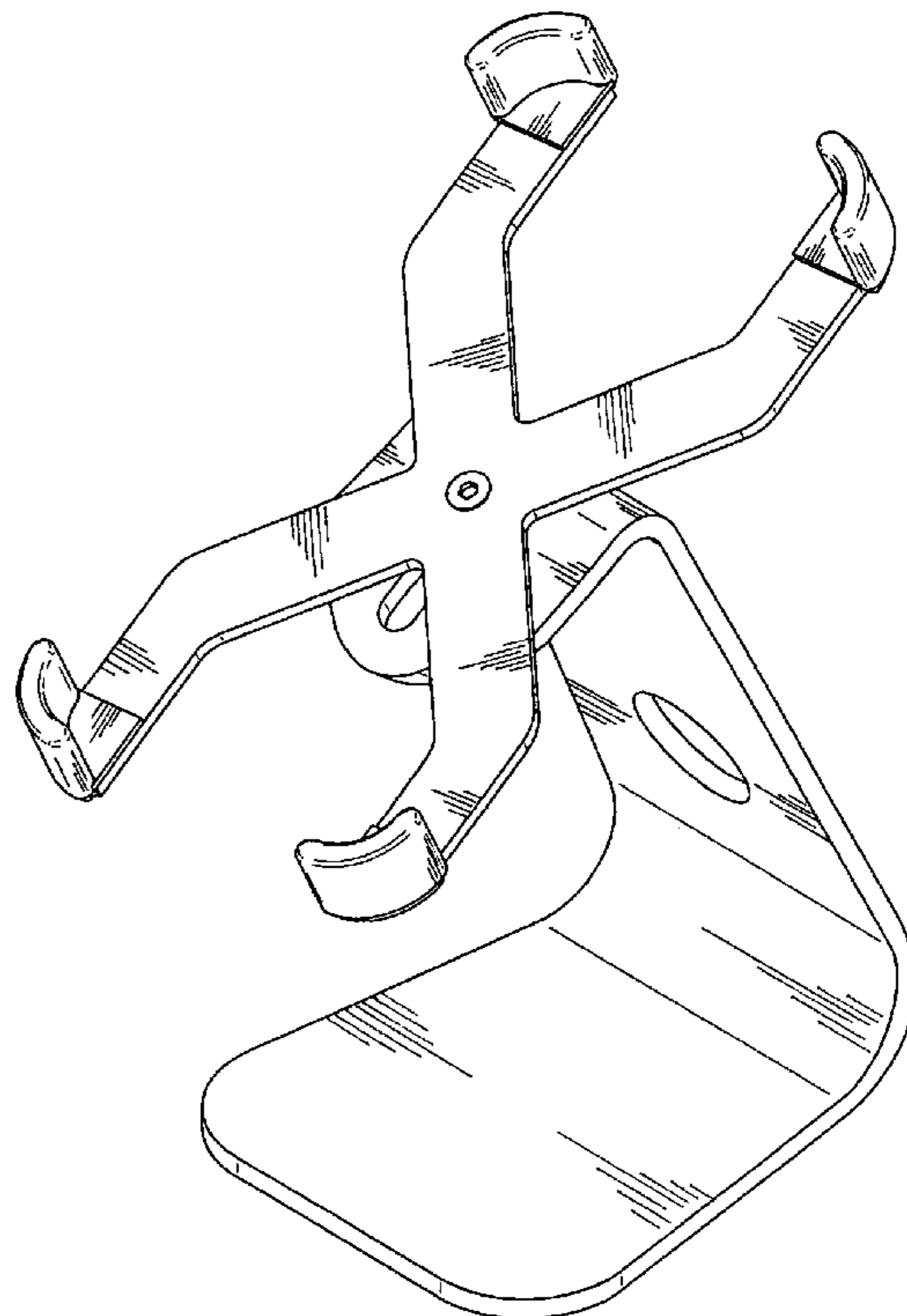
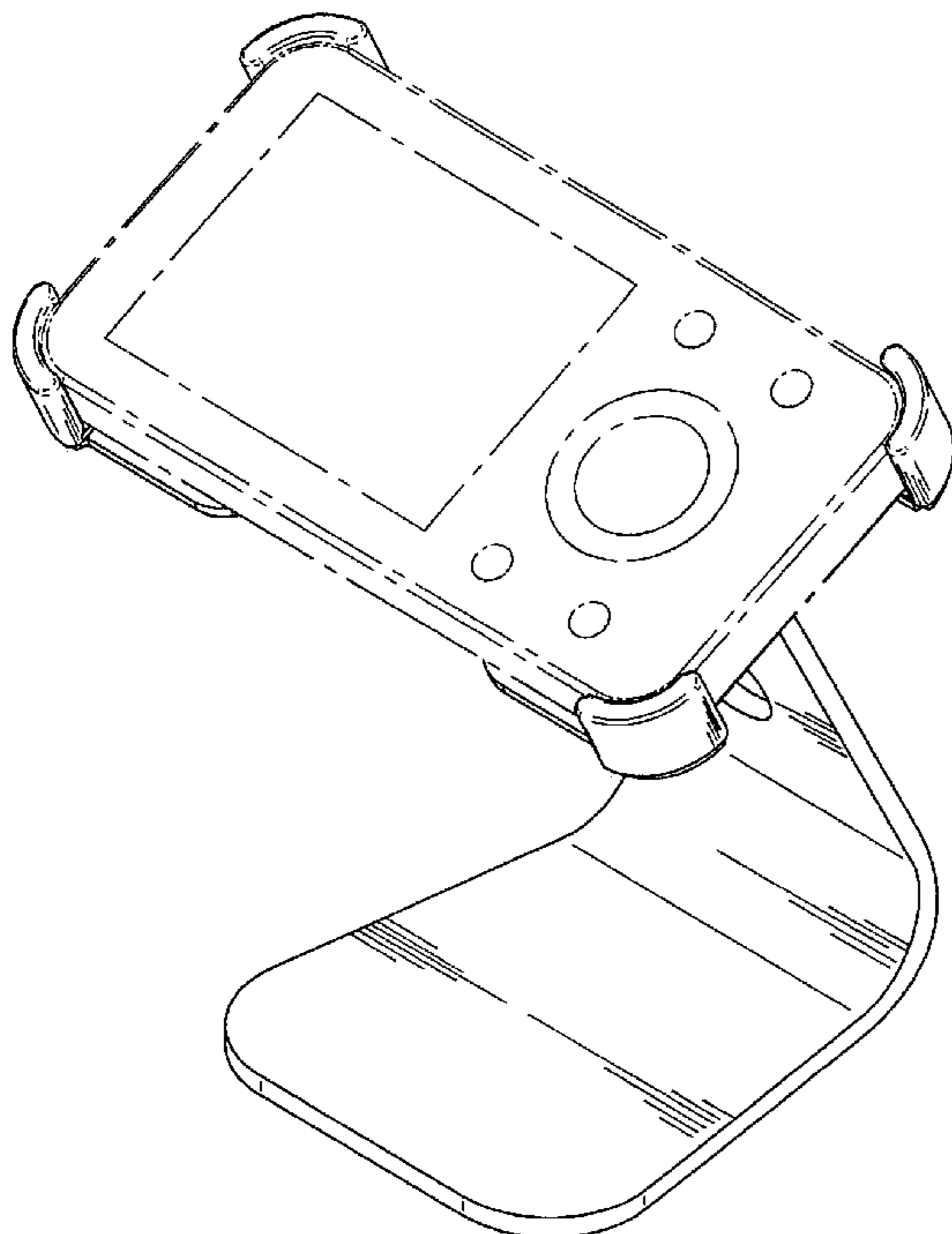
FIG. 7 is a bottom plan view thereof;

FIG. 8 is a perspective view showing how to display an electric appliance; and

FIG. 9 is a perspective view thereof, with the holder shown in an alternate position.

The broken lines represent the portions of the design that form no part of the claim.

1 Claim, 9 Drawing Sheets



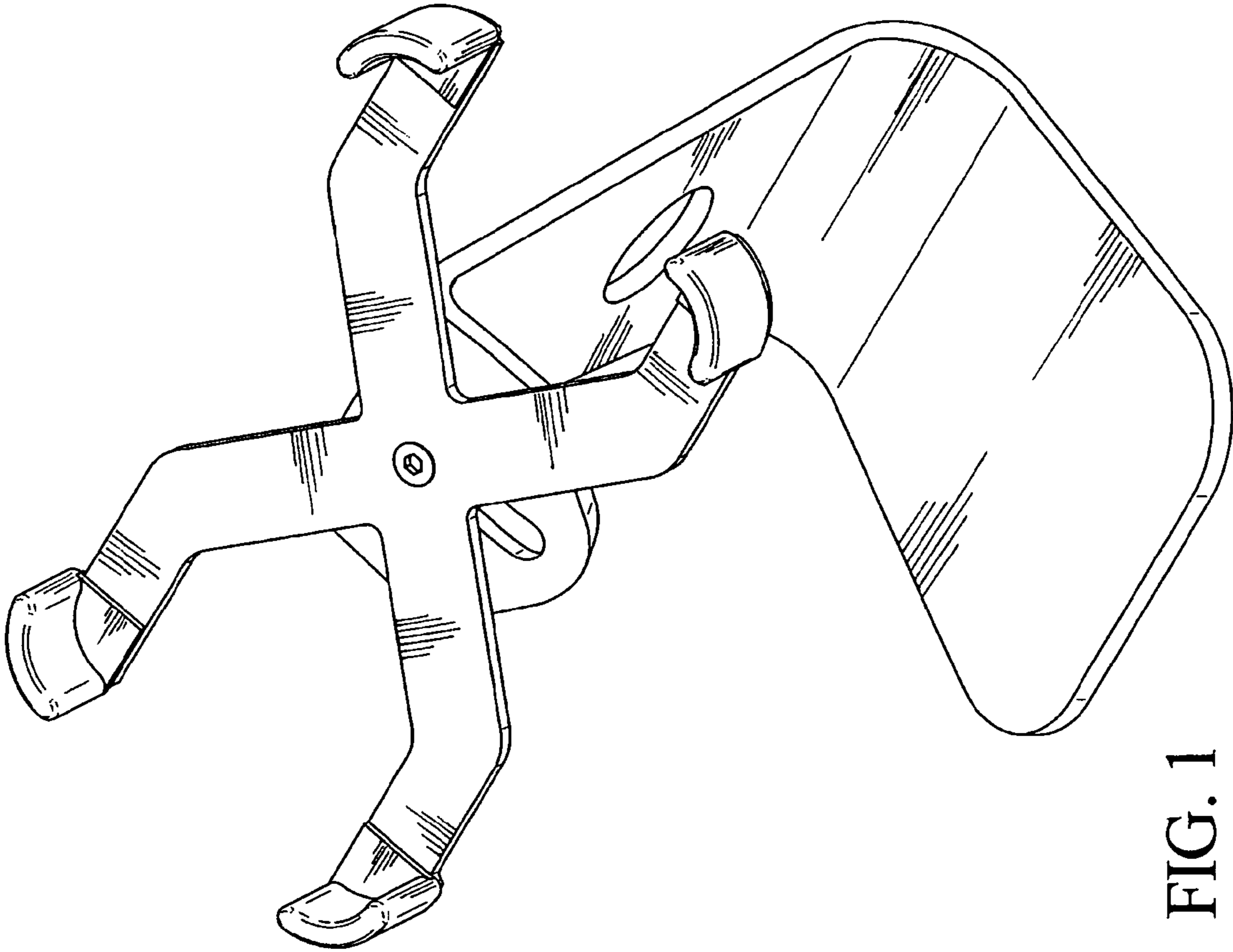


FIG. 1

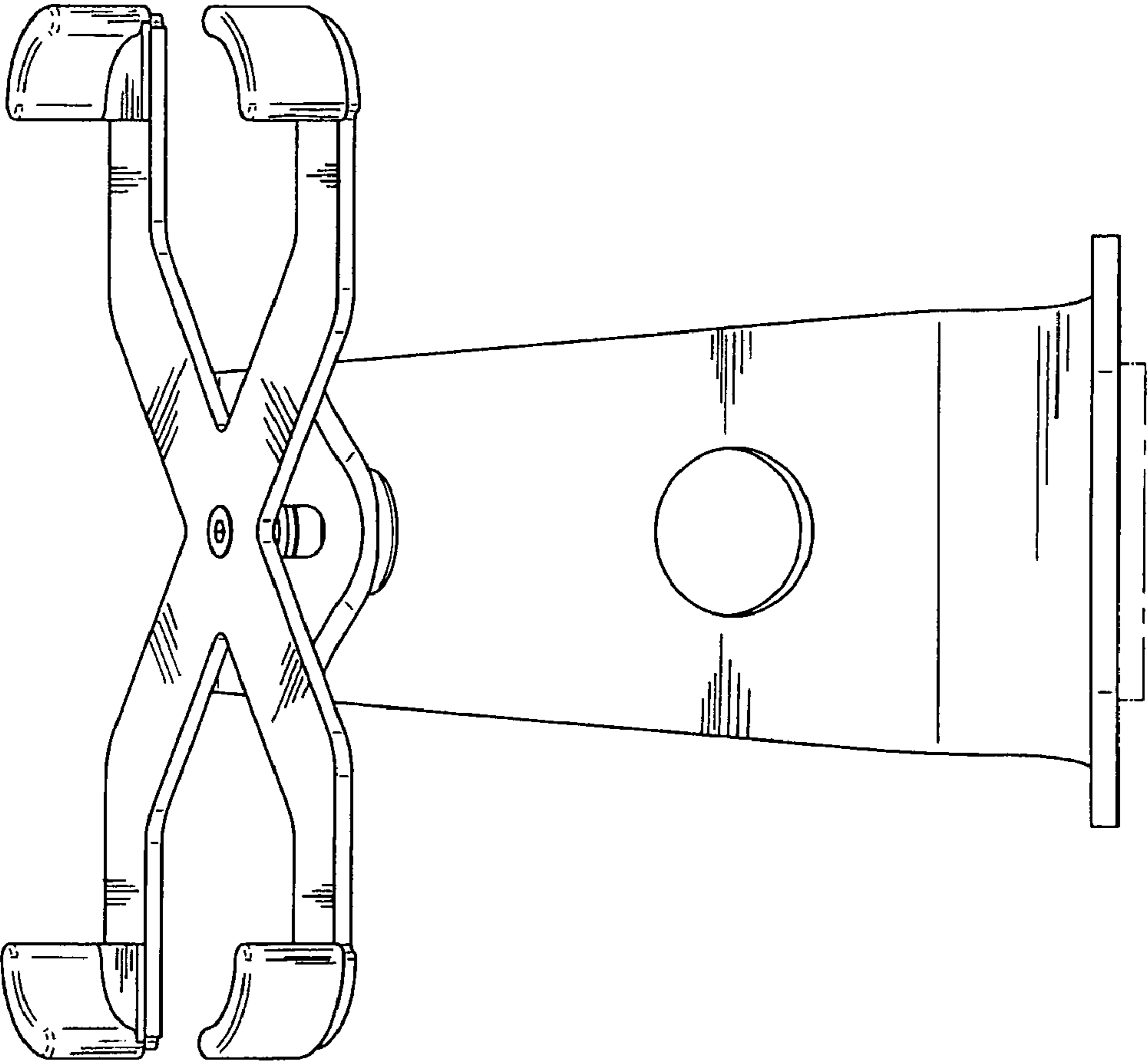


FIG. 2

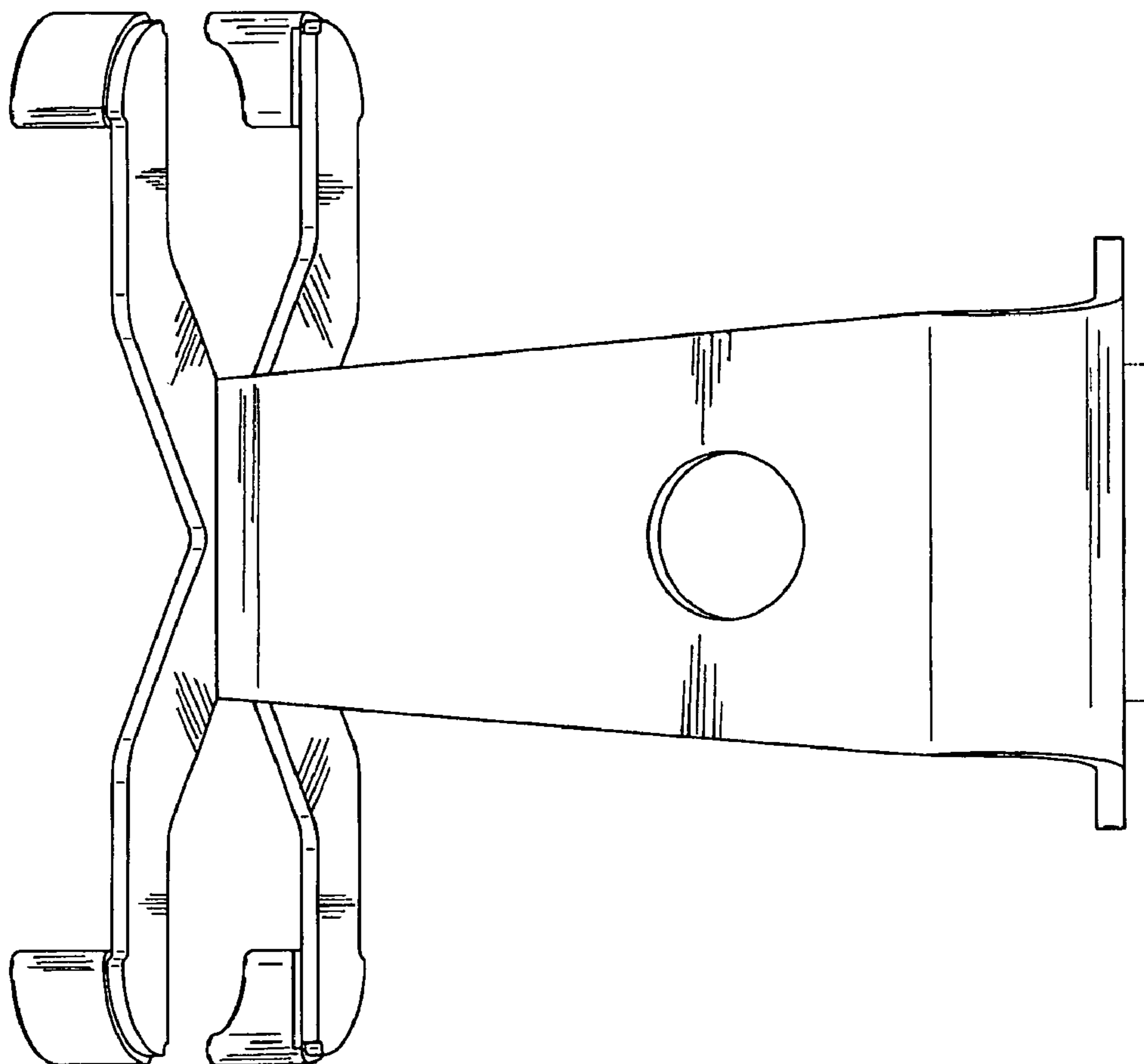


FIG. 3

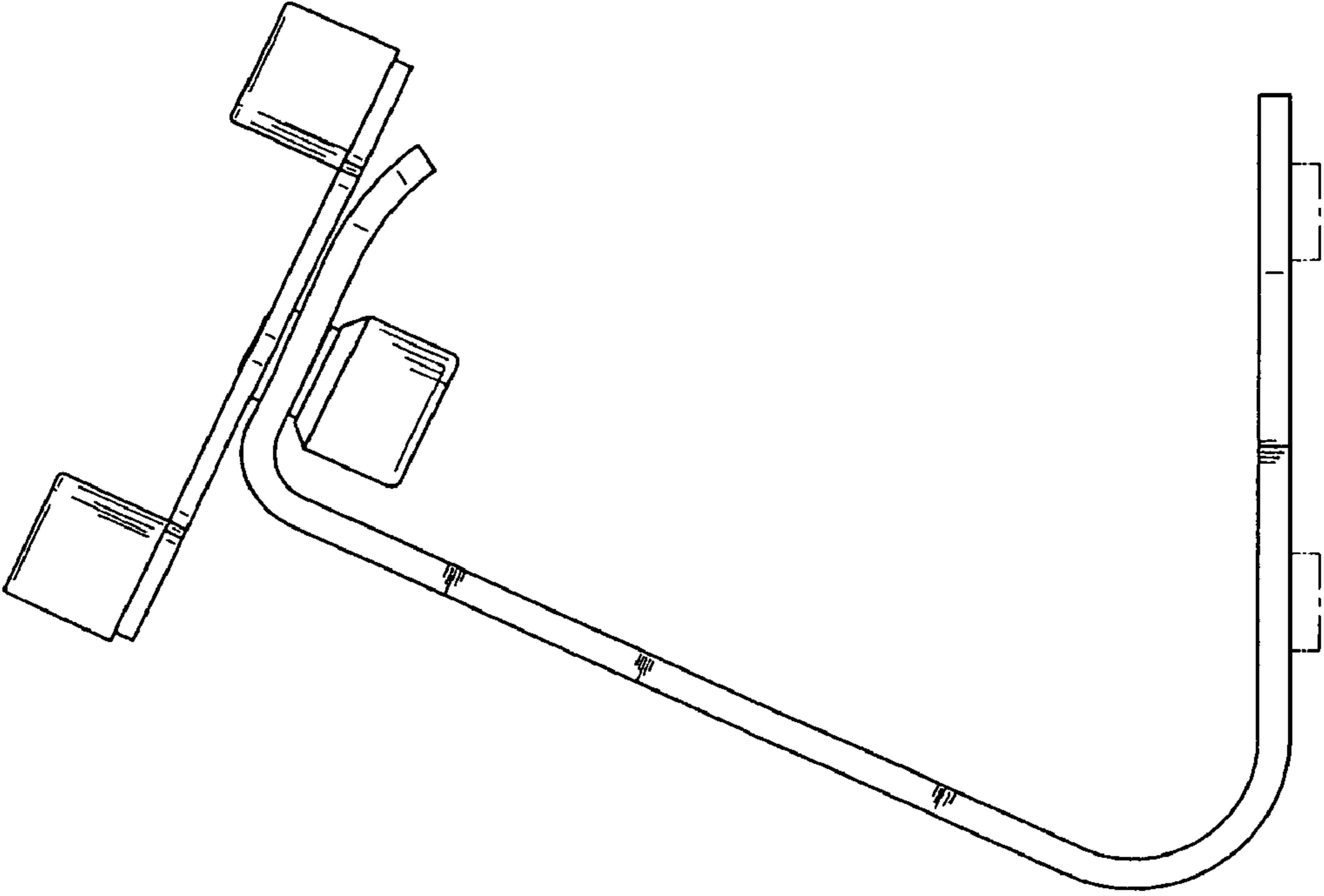


FIG. 4

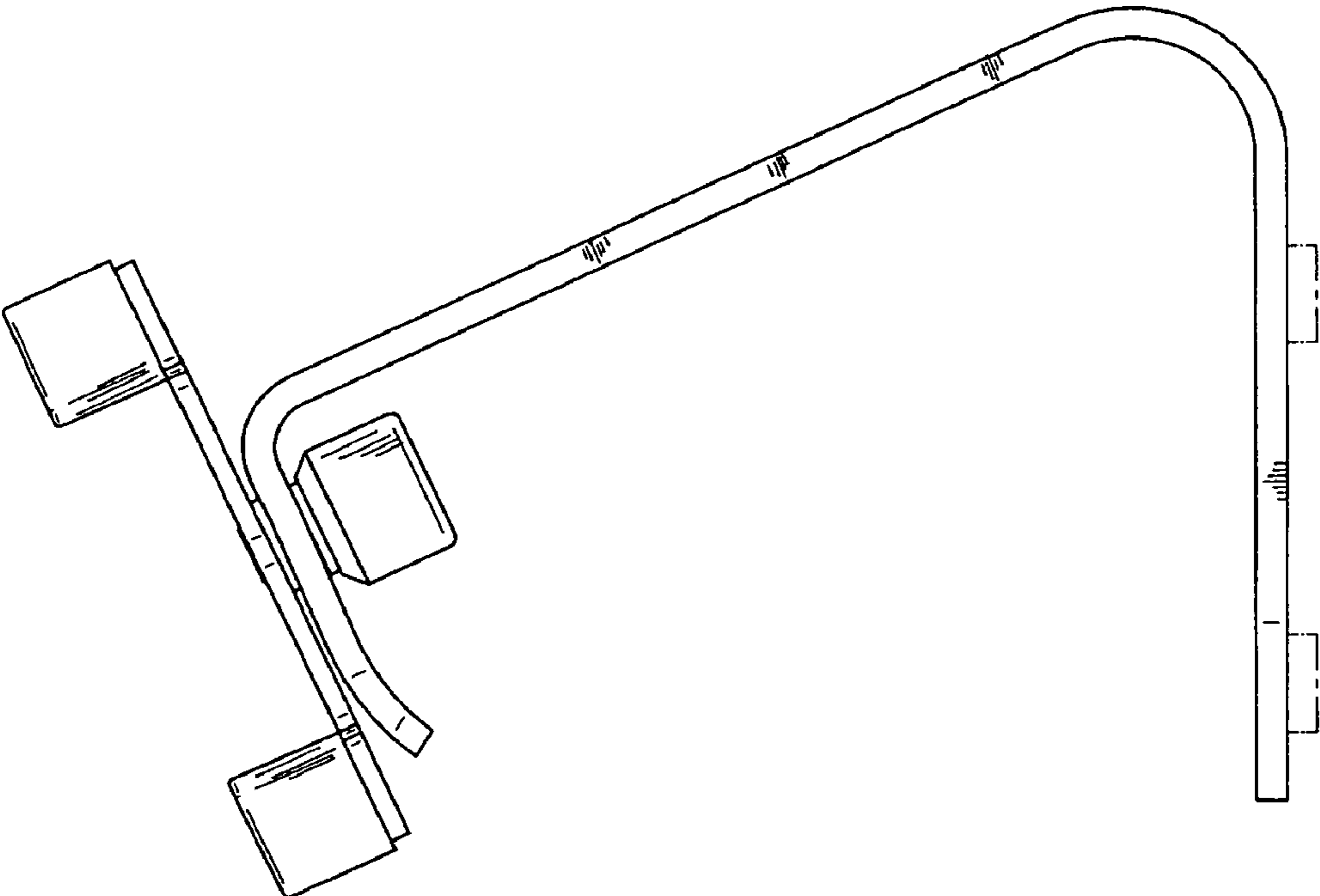


FIG. 5

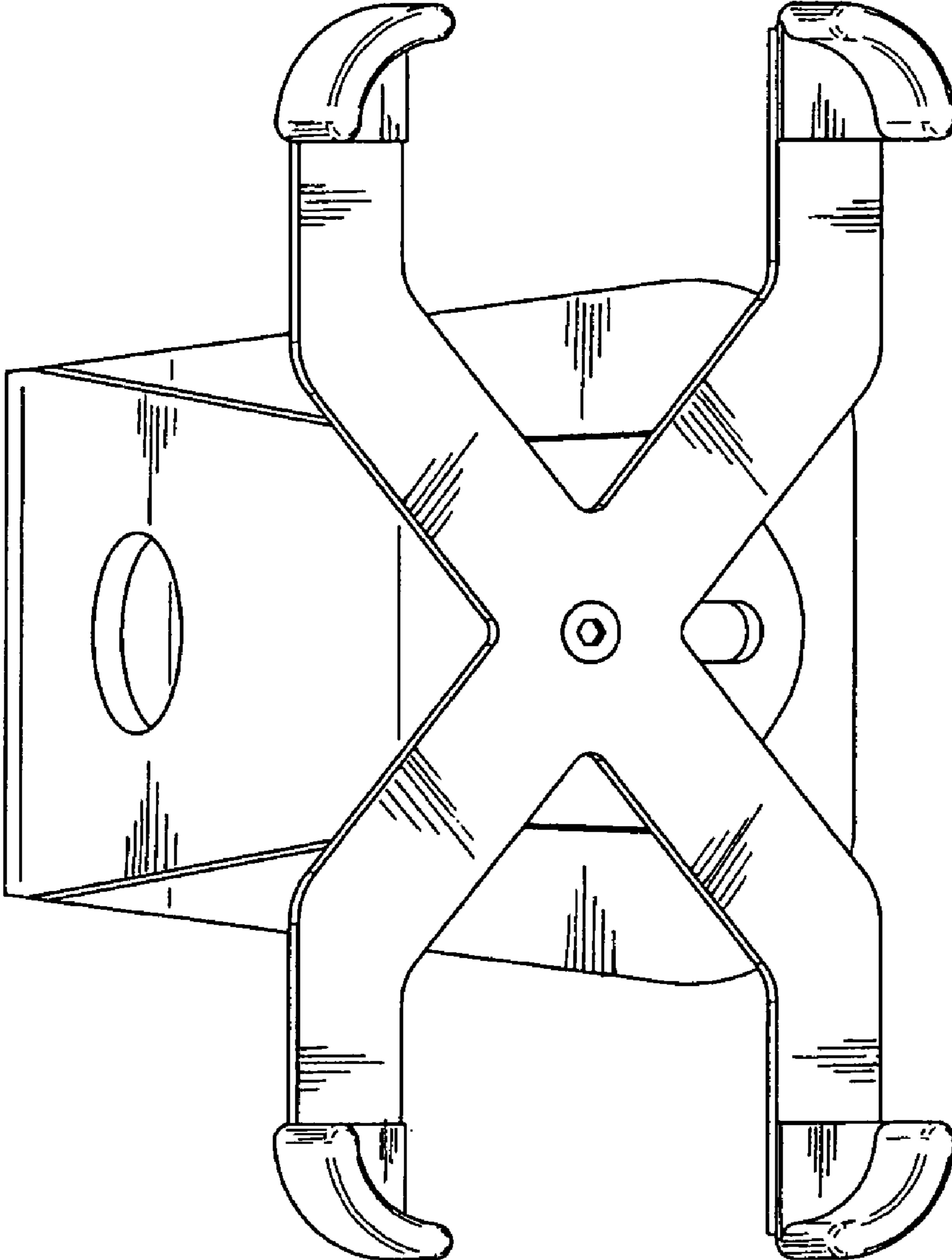


FIG. 6

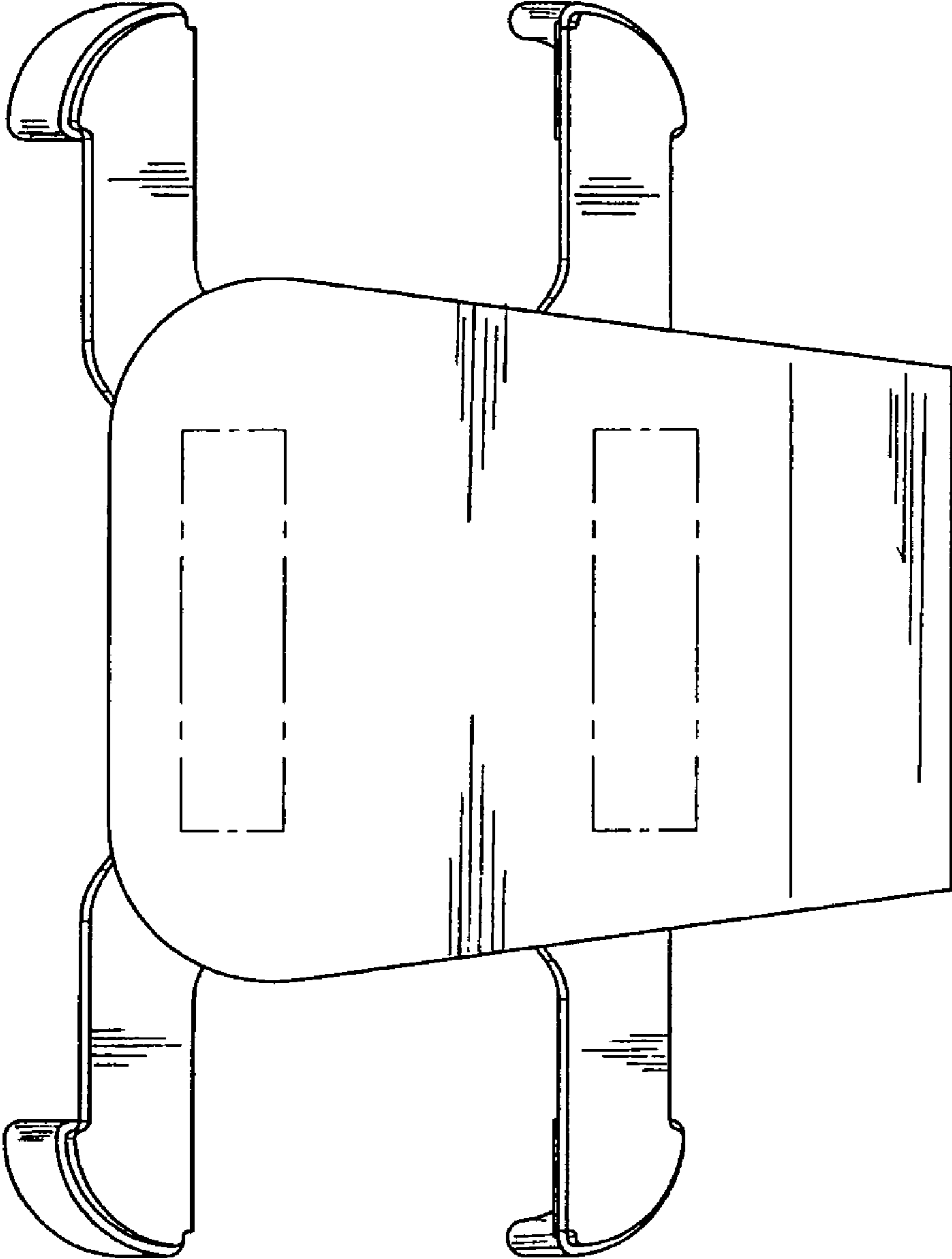


FIG. 7

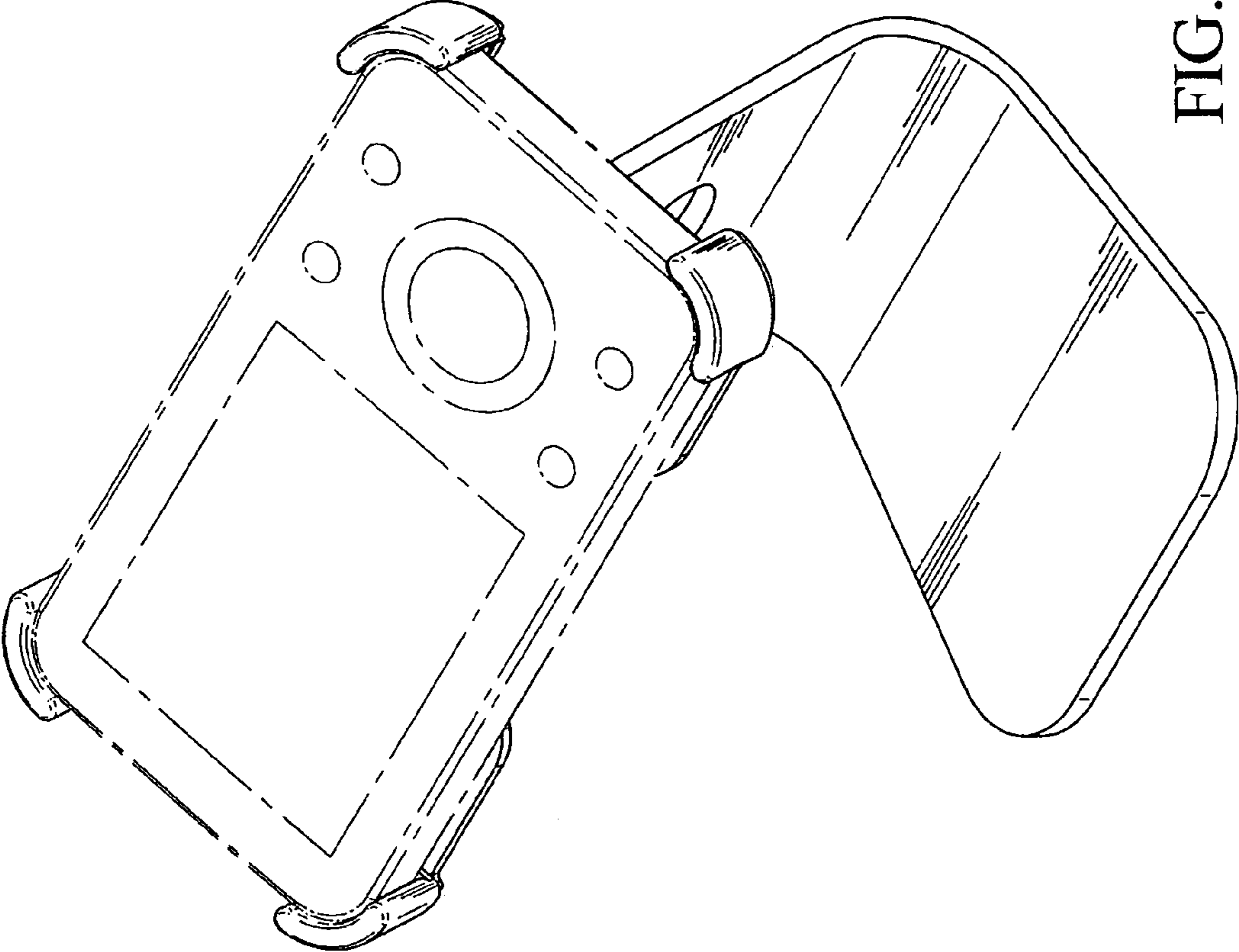


FIG. 8

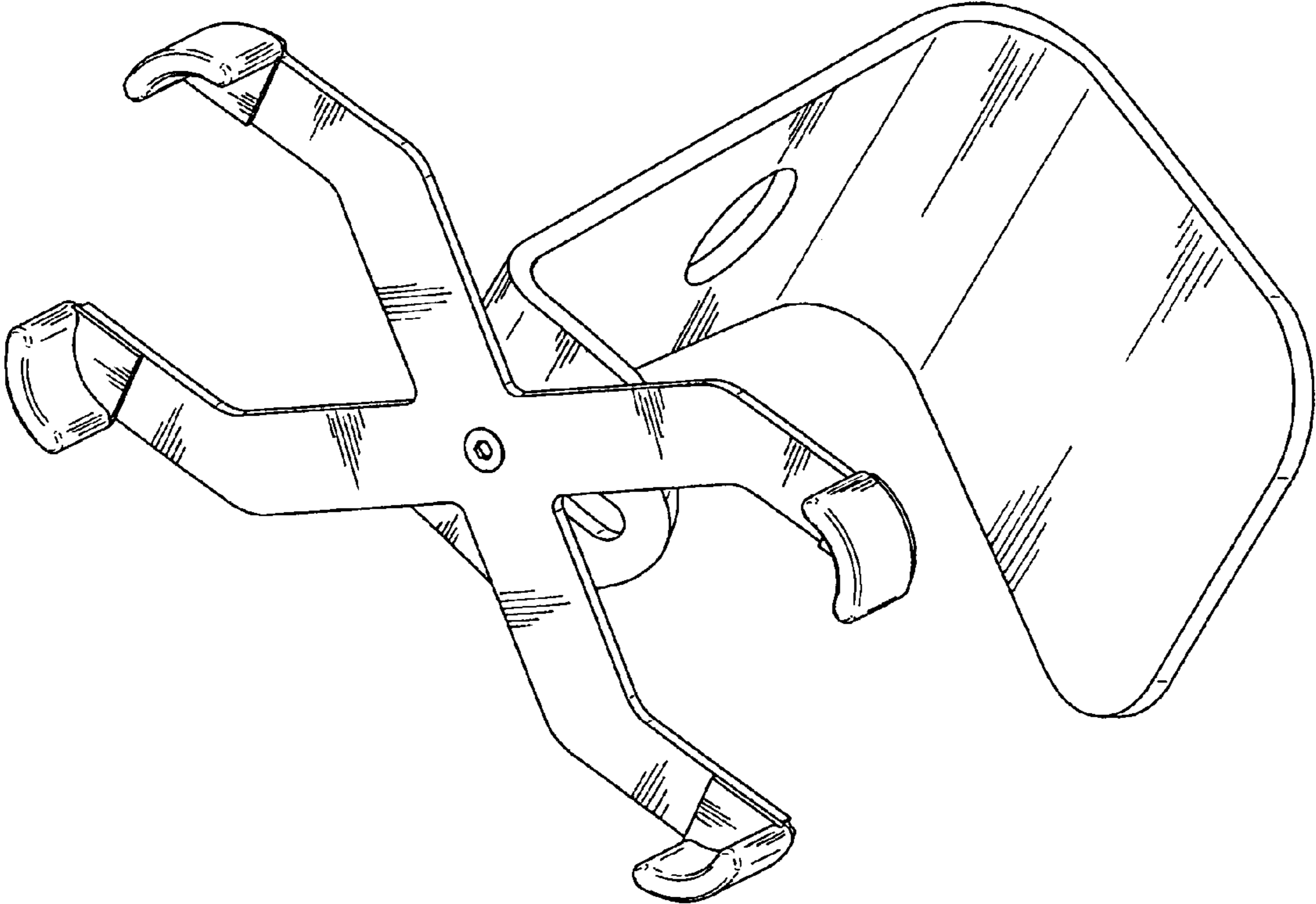


FIG. 9