



US00D592186S

(12) **United States Design Patent**
Cho et al.

(10) **Patent No.:** **US D592,186 S**

(45) **Date of Patent:** **** May 12, 2009**

(54) **LOUDSPEAKER**

(75) Inventors: **Mei San Gigi Cho**, Singapore (SG); **Soo Beng Damien Khoo**, Singapore (SG); **Chien Mei Linda Ang**, Singapore (SG); **Huang Pheng Vince Ang**, Singapore (SG)

(73) Assignee: **Creative Technology Ltd**, Singapore (SG)

(**) Term: **14 Years**

(21) Appl. No.: **29/322,066**

(22) Filed: **Jul. 29, 2008**

(51) **LOC (9) Cl.** **14-01**

(52) **U.S. Cl.** **D14/214; D14/217**

(58) **Field of Classification Search** D14/496,
D14/162, 167-168, 188, 197-198, 217, 172,
D14/211-214; 181/143-148, 150-151, 153,
181/198-199; 369/75.11, 75.21, 77.11, 77.21;
381/118-120, 300-302, 306, 361-364, 386-388,
381/332, 336; 455/344, 347-351

See application file for complete search history.

(56) **References Cited**

U.S. PATENT DOCUMENTS

D532,773 S * 11/2006 Langberg et al. D14/209.1
D553,611 S * 10/2007 Gan D14/214

D554,104 S * 10/2007 Kurihara D14/214
D554,105 S * 10/2007 Langberg et al. D14/214
D556,188 S * 11/2007 Ang et al. D14/214
D563,385 S * 3/2008 Skurdal D14/214

* cited by examiner

Primary Examiner—Nanda Bondade

(74) *Attorney, Agent, or Firm*—Kennedy Koblin

(57) **CLAIM**

The ornamental design for a loudspeaker, substantially as shown and described.

DESCRIPTION

FIG. 1 is a front perspective view of a loudspeaker in accordance with the present design;

FIG. 2 is rear perspective view of the loudspeaker shown in FIG. 1;

FIG. 3 is a front view of the loudspeaker shown in FIG. 1;

FIG. 4 is a back view of the loudspeaker shown in FIG. 1;

FIG. 5 is a left view of the loudspeaker shown in FIG. 1;

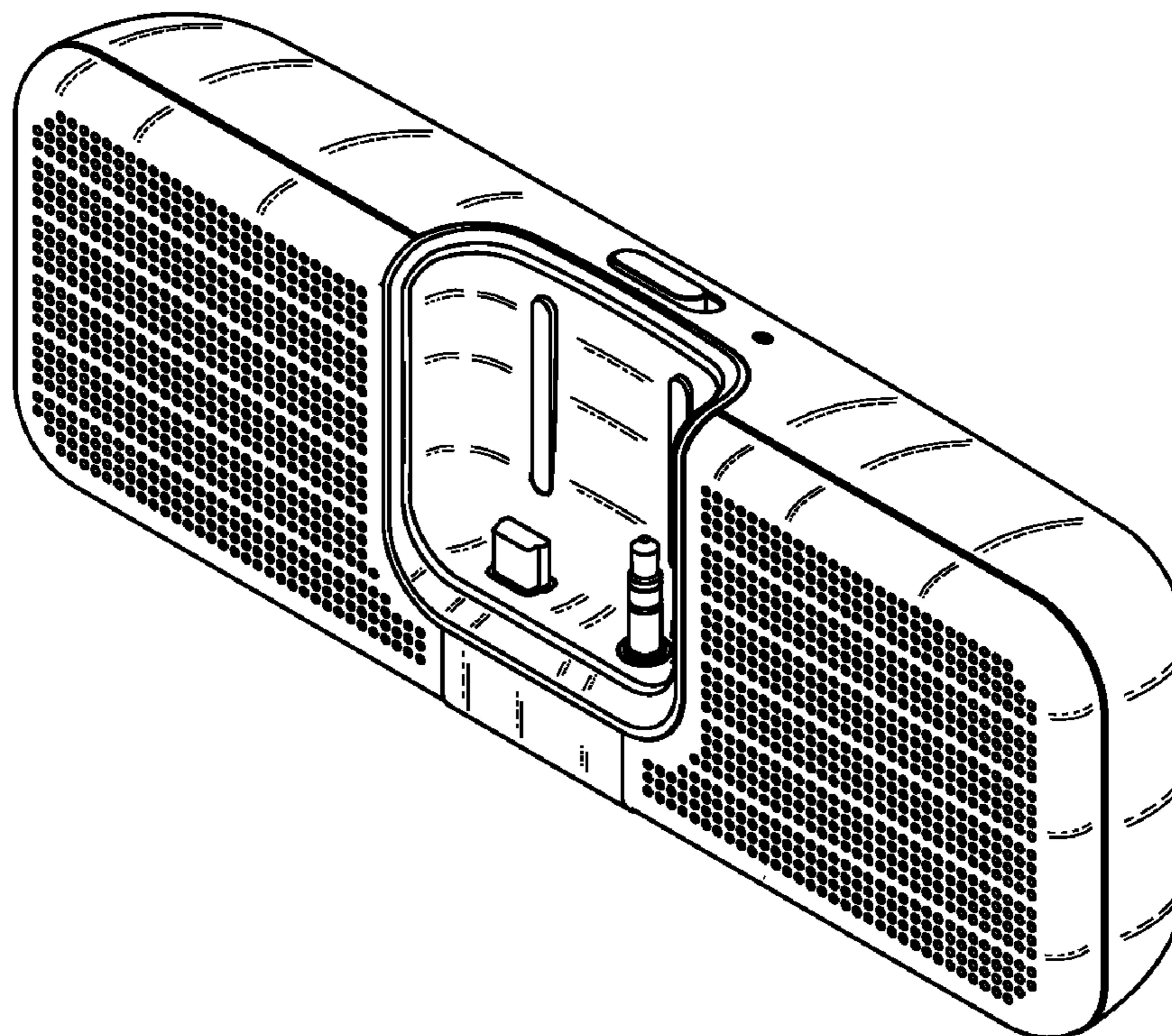
FIG. 6 is a right view of the loudspeaker shown in FIG. 1;

FIG. 7 is a top view of the loudspeaker shown in FIG. 1; and,

FIG. 8 is a bottom view of the loudspeaker shown in FIG. 1.

FIGS. 7 and 8 are on a reduced scale.

1 Claim, 4 Drawing Sheets



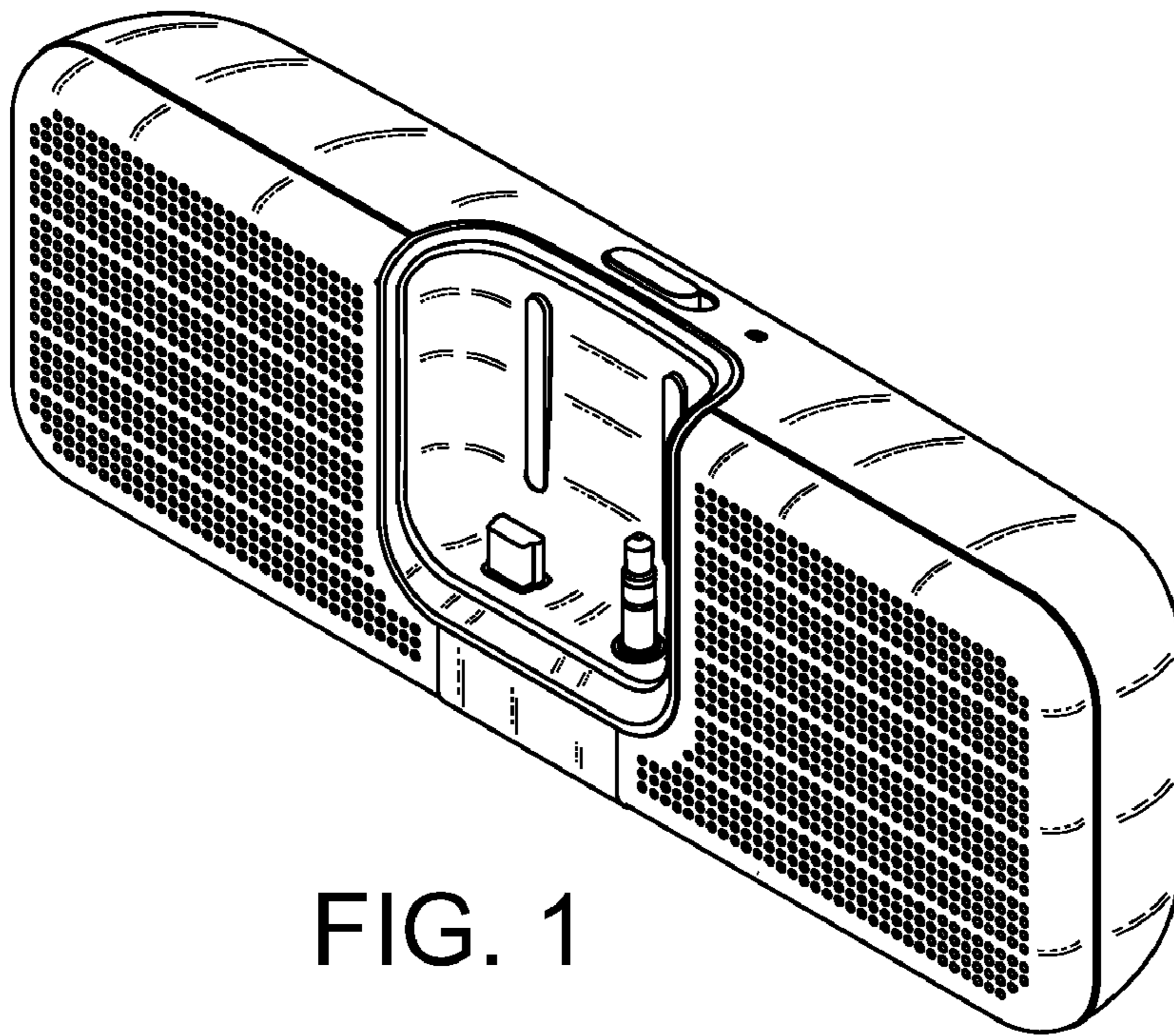


FIG. 1

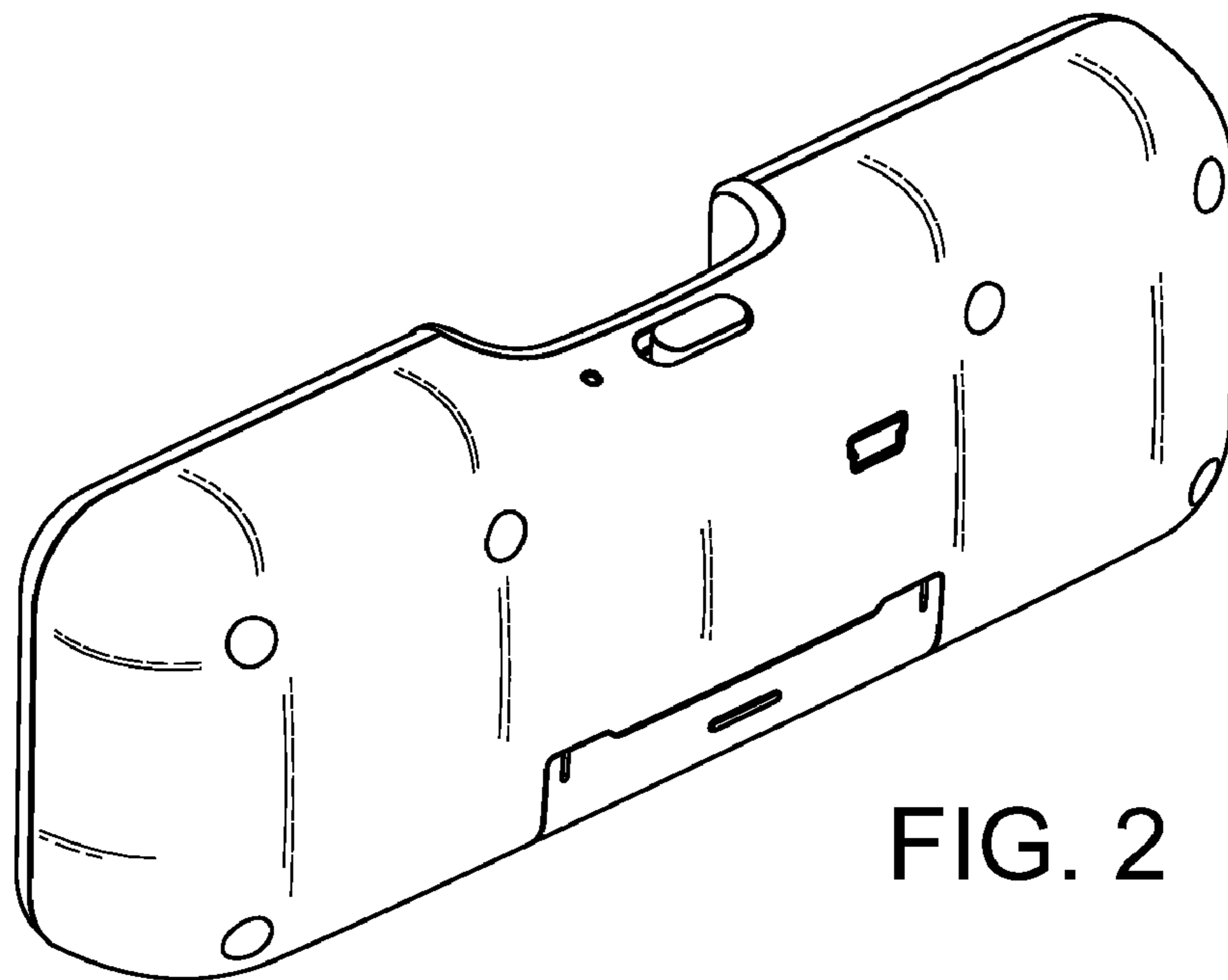


FIG. 2

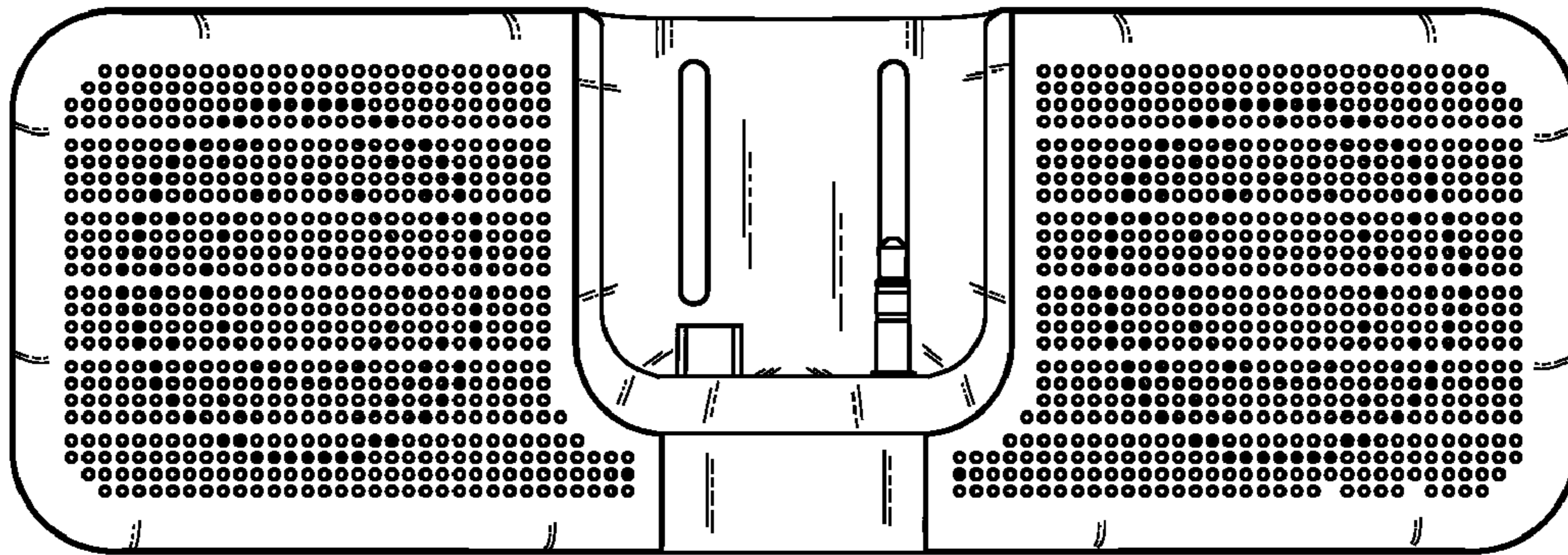


FIG. 3

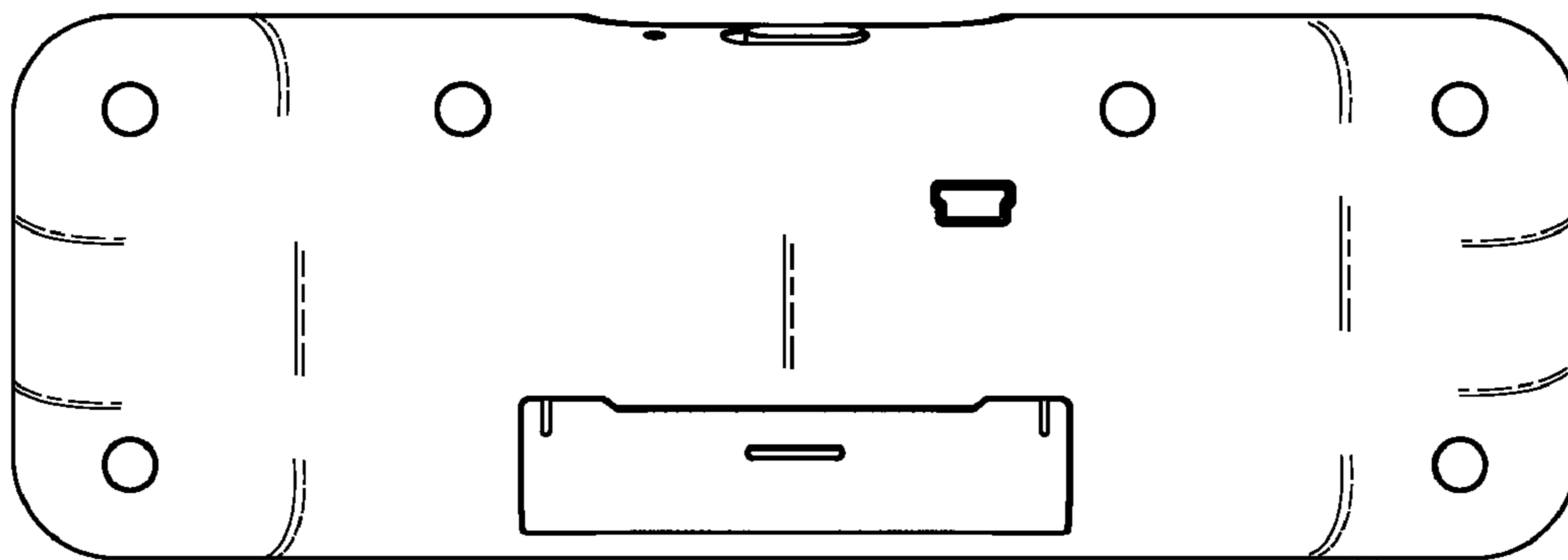


FIG. 4

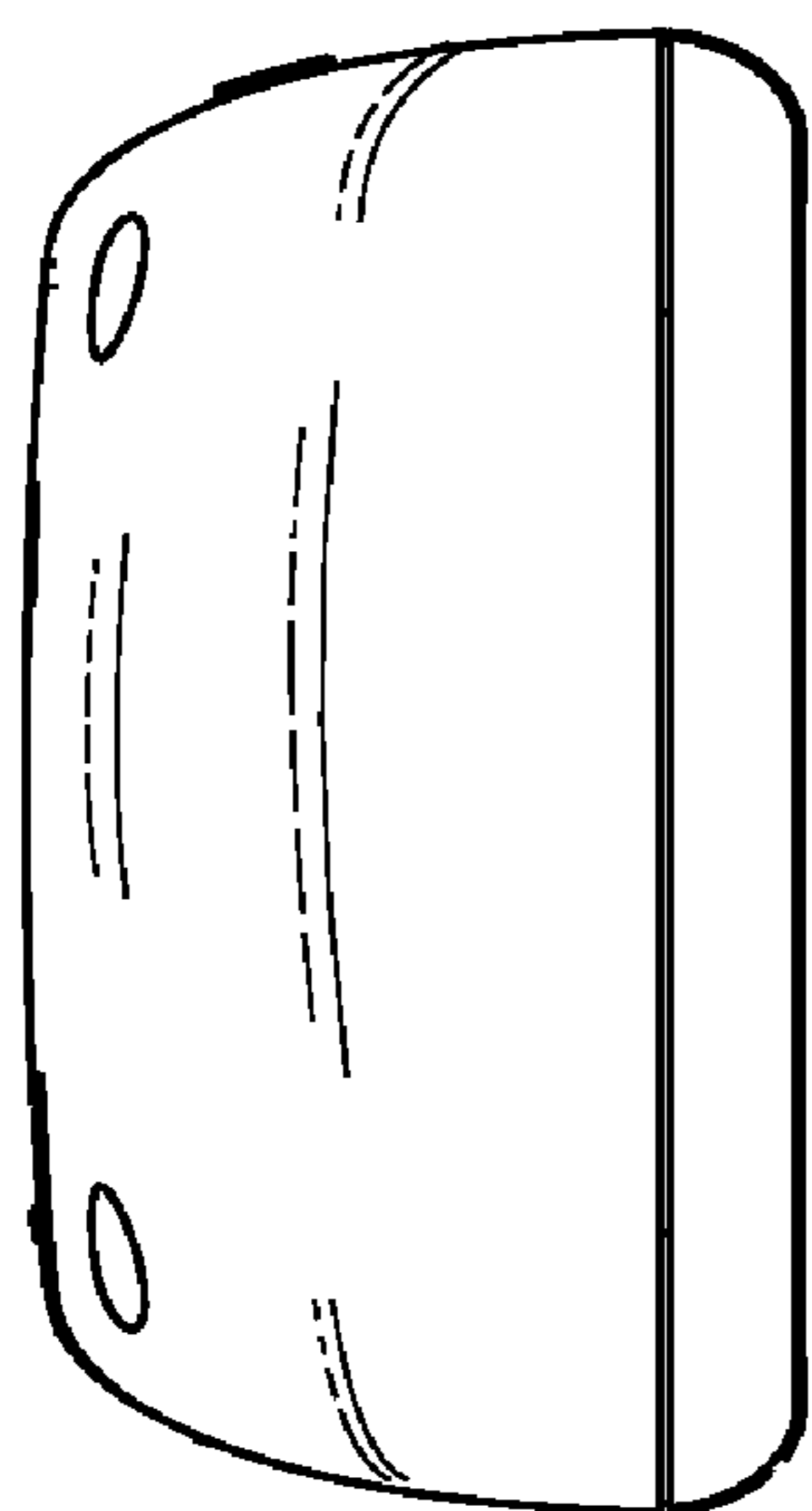


FIG. 5

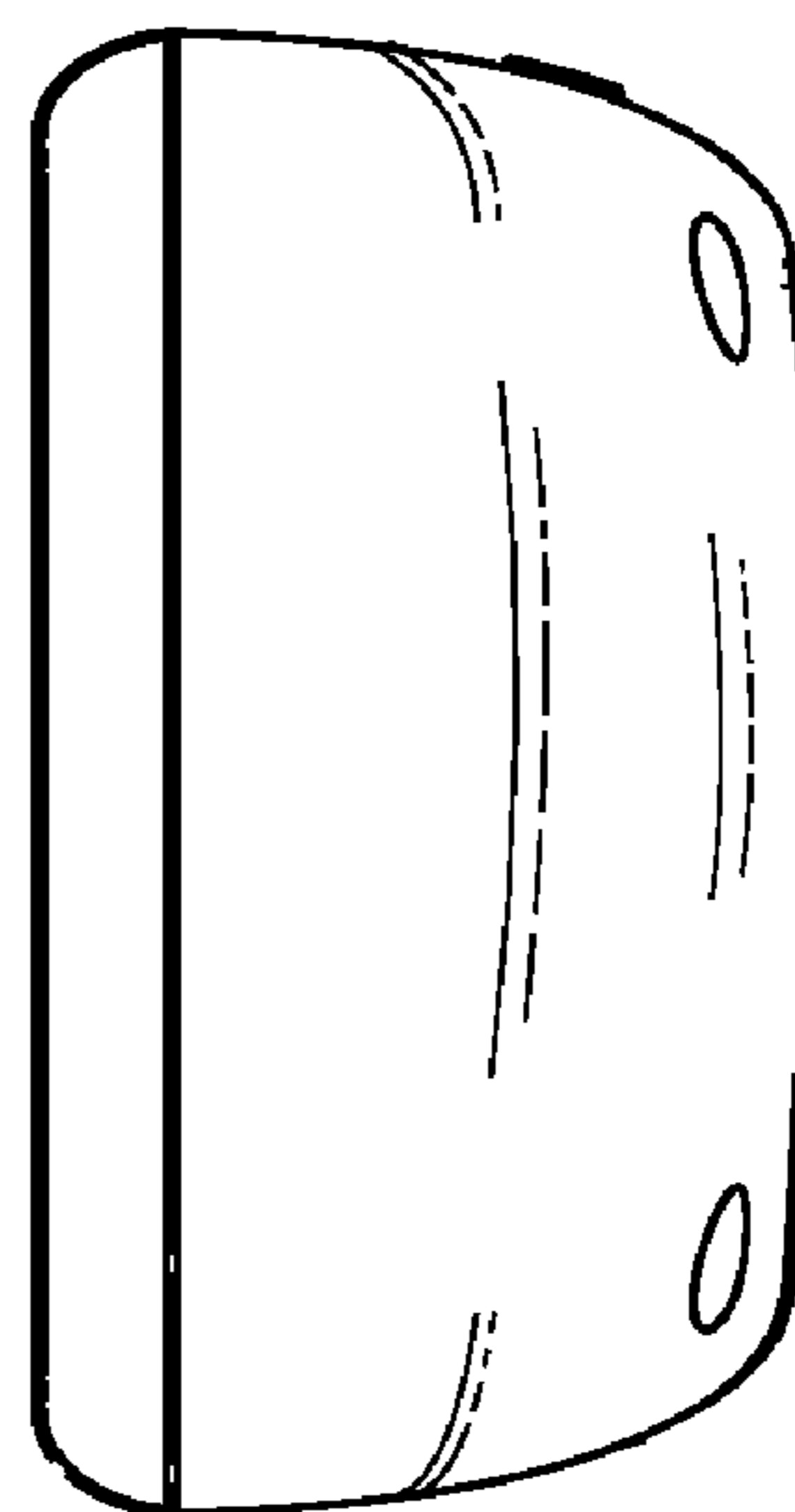


FIG. 6

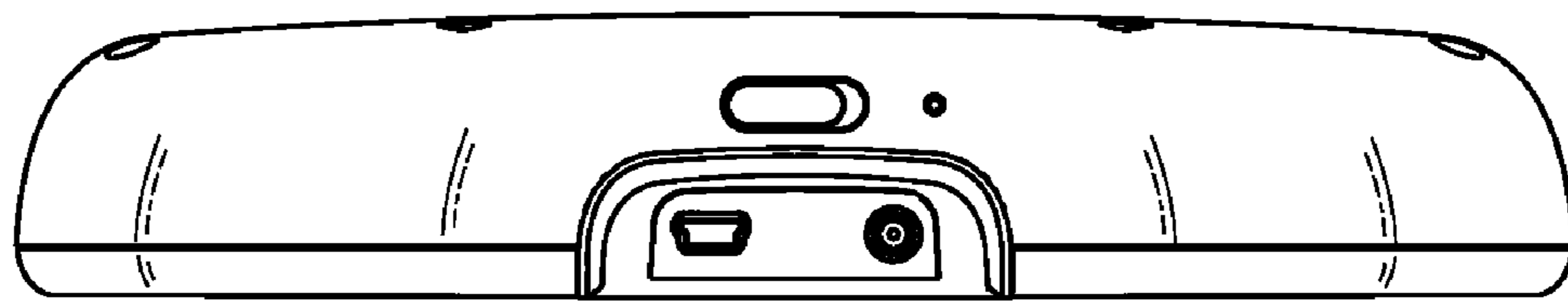


FIG. 7

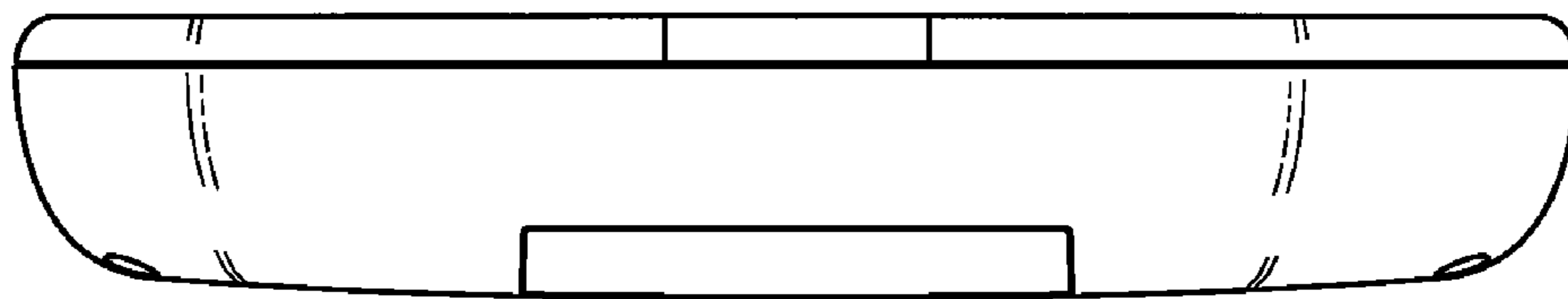


FIG. 8