

US00D592184S

(12) **United States Design Patent**  
**Ragde, Jr. et al.**

(10) **Patent No.:** **US D592,184 S**  
(45) **Date of Patent:** **\*\* \*May 12, 2009**

(54) **PORTABLE SPEAKER SYSTEM**

D489,529 S 5/2004 Vish et al.

(75) Inventors: **Jorge V. Ragde, Jr.**, Canyon Country, CA (US); **Timothy J. Jacobus**, Agoura Hills, CA (US)

(Continued)

FOREIGN PATENT DOCUMENTS

(73) Assignee: **Portable Sound Laboratories, Inc.**, Chatsworth, CA (US)

DE 202006005333 7/2006

(Continued)

(\*) Notice: This patent is subject to a terminal disclaimer.

OTHER PUBLICATIONS

(\*\*) Term: **14 Years**

Office Action, mailed Sep. 4, 2007, U.S. Appl. No. 29/282,181, filed Jul. 12, 2007, First Named Inventor, Jorge V. Ragde, Jr., 10 pages.

(21) Appl. No.: **29/318,543**

(Continued)

(22) Filed: **May 22, 2008**

*Primary Examiner*—Nanda Bondade  
(74) *Attorney, Agent, or Firm*—Blakely, Sokoloff, Taylor & Zafman, LLP

**Related U.S. Application Data**

(57) **CLAIM**

(63) Continuation of application No. 29/282,184, filed on Jul. 12, 2007, now Pat. No. Des. 569,845.

The ornamental design for portable speaker system, as shown and described.

(51) **LOC (9) Cl.** ..... **14-01**

**DESCRIPTION**

(52) **U.S. Cl.** ..... **D14/214**

(58) **Field of Classification Search** ..... D14/204, D14/211–216, 172, 188, 474, 496; D3/218, D3/301; D6/632–635; 181/143–148, 150, 181/157, 198–199, 151, 153; 381/300–302, 381/306, 333, 345, 361–364, 385–388, 332, 381/336; 361/689, 679; 224/576, 929

FIG. 1 is a rear perspective view of a portable speaker system. FIG. 2 is a front perspective view of the portable speaker system FIG. 1.

See application file for complete search history.

FIG. 3 is a rear elevational view of the portable speaker system of FIG. 1.

(56) **References Cited**

FIG. 4 is a front elevational view of the portable speaker system of FIG. 1.

U.S. PATENT DOCUMENTS

D302,903 S	8/1989	Johnston
D376,150 S	12/1996	Pesce
D407,432 S	3/1999	Tell
6,345,751 B1	2/2002	Elliot
D469,421 S	1/2003	Stickles et al.
6,522,613 B1	2/2003	Frankeny et al.
D483,349 S	12/2003	Murakami
6,712,249 B2	3/2004	Magnusson et al.
D488,483 S	4/2004	Hu

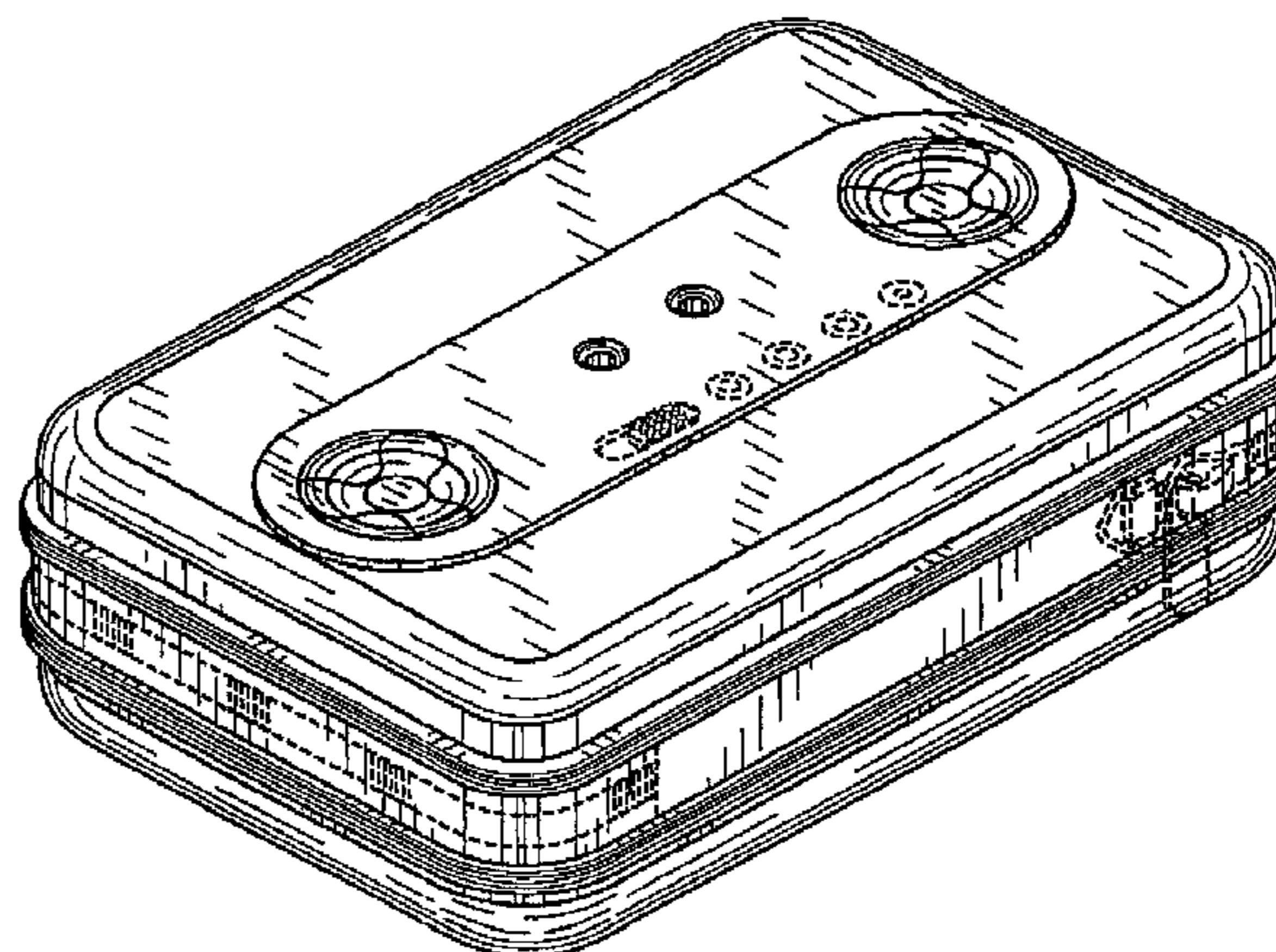
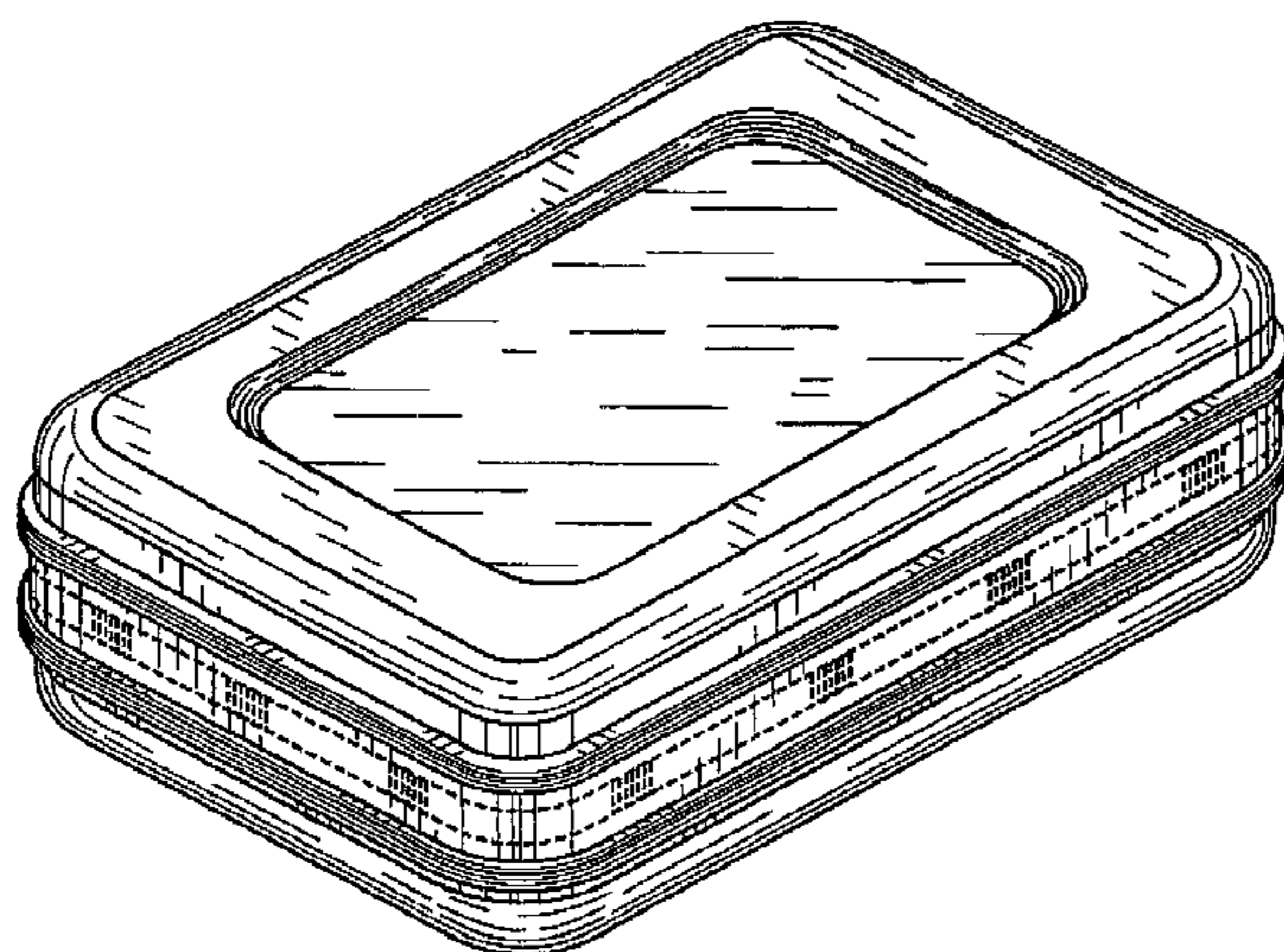
FIG. 5 is a top plan view of the portable speaker system of FIG. 1.

FIG. 6 is a bottom plan view of the portable speaker system of FIG. 1; and,

FIG. 7 is a left side elevational view of portable speaker system of FIG. 1.

The broken lines in the figures are for environmental purpose only and form no part of the claimed design.

**1 Claim, 6 Drawing Sheets**



# US D592,184 S

Page 2

---

## U.S. PATENT DOCUMENTS

D491,167 S 6/2004 Yokoyama  
D495,185 S 8/2004 Palmer  
D497,051 S 10/2004 Nieves  
D498,471 S 11/2004 Solland et al.  
D502,165 S 2/2005 Ching  
D508,689 S 8/2005 Schul et al.  
D511,895 S 11/2005 Vish et al.  
D513,148 S 12/2005 Nieves  
D516,579 S 3/2006 Nakamura  
D517,364 S 3/2006 Nieves  
D524,798 S 7/2006 Koizumi  
7,095,867 B2 8/2006 Schul et al.  
D527,722 S 9/2006 Yeh  
D535,287 S 1/2007 Patel  
D537,071 S 2/2007 Chen  
7,184,259 B2 2/2007 Marler et al.

D538,787 S 3/2007 Tsai  
D540,781 S 4/2007 Patel et al.  
D542,776 S 5/2007 Dayan  
2002/0088726 A1 7/2002 Chou  
2006/0078143 A1 4/2006 Yang  
2006/0269091 A1 11/2006 Fan  
2006/0274910 A1 12/2006 Schul et al.  
2007/0076911 A1 4/2007 Schul et al.

## FOREIGN PATENT DOCUMENTS

JP 0501995 8/2005

## OTHER PUBLICATIONS

Office Action, mailed Nov. 14, 2007, U.S. Appl. No. 29/282,184, filed Jul. 12, 2007, First Named Inventor, Jorge V. Ragde, Jr. 10 pages.  
Office Action, mailed Nov. 14, 2007, U.S. Appl. No. 29/282,187, filed Jul. 12, 2007, First Named Inventor, Jorge V. Ragde, Jr., 10 pages.

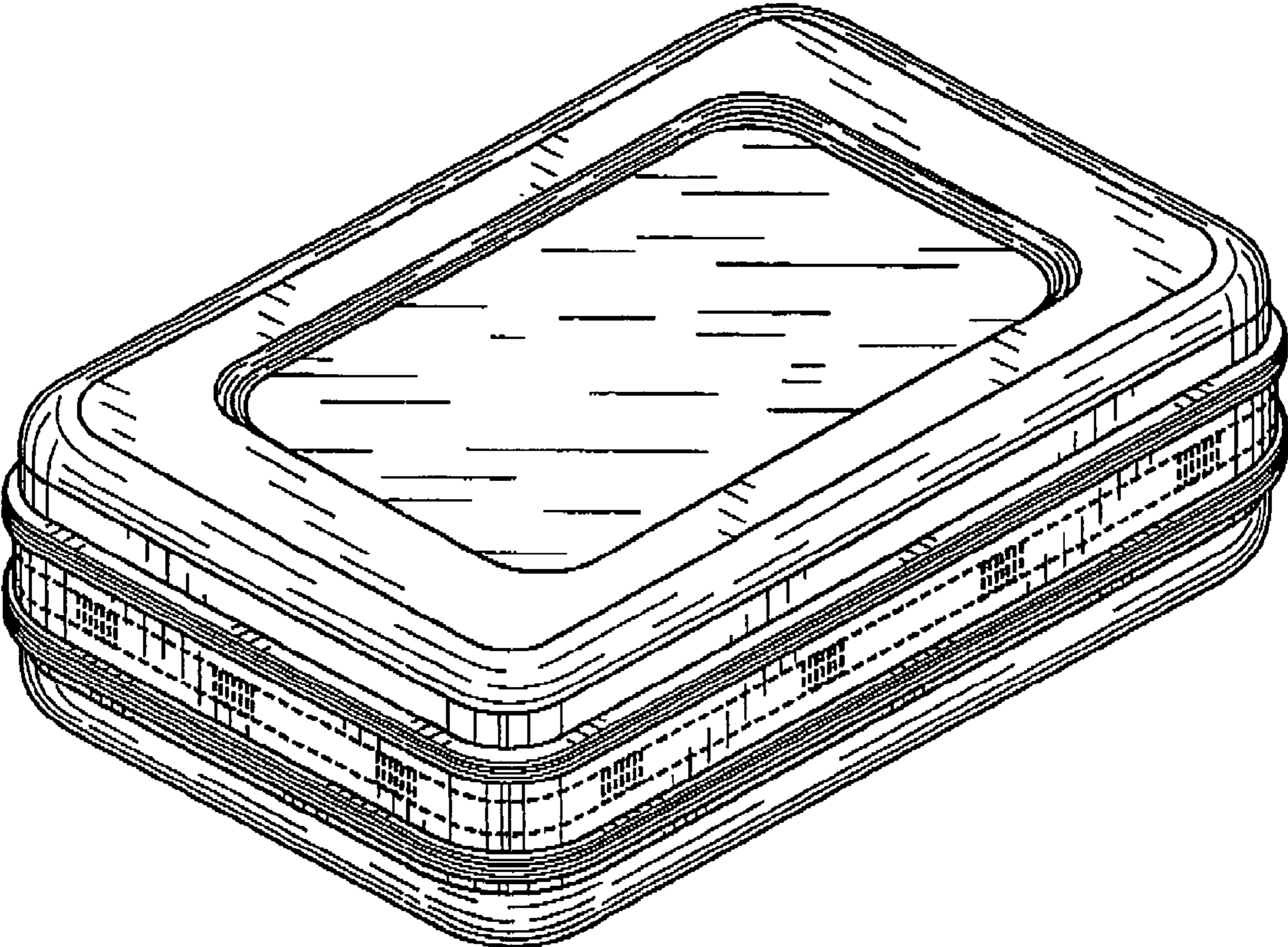


FIG. 1

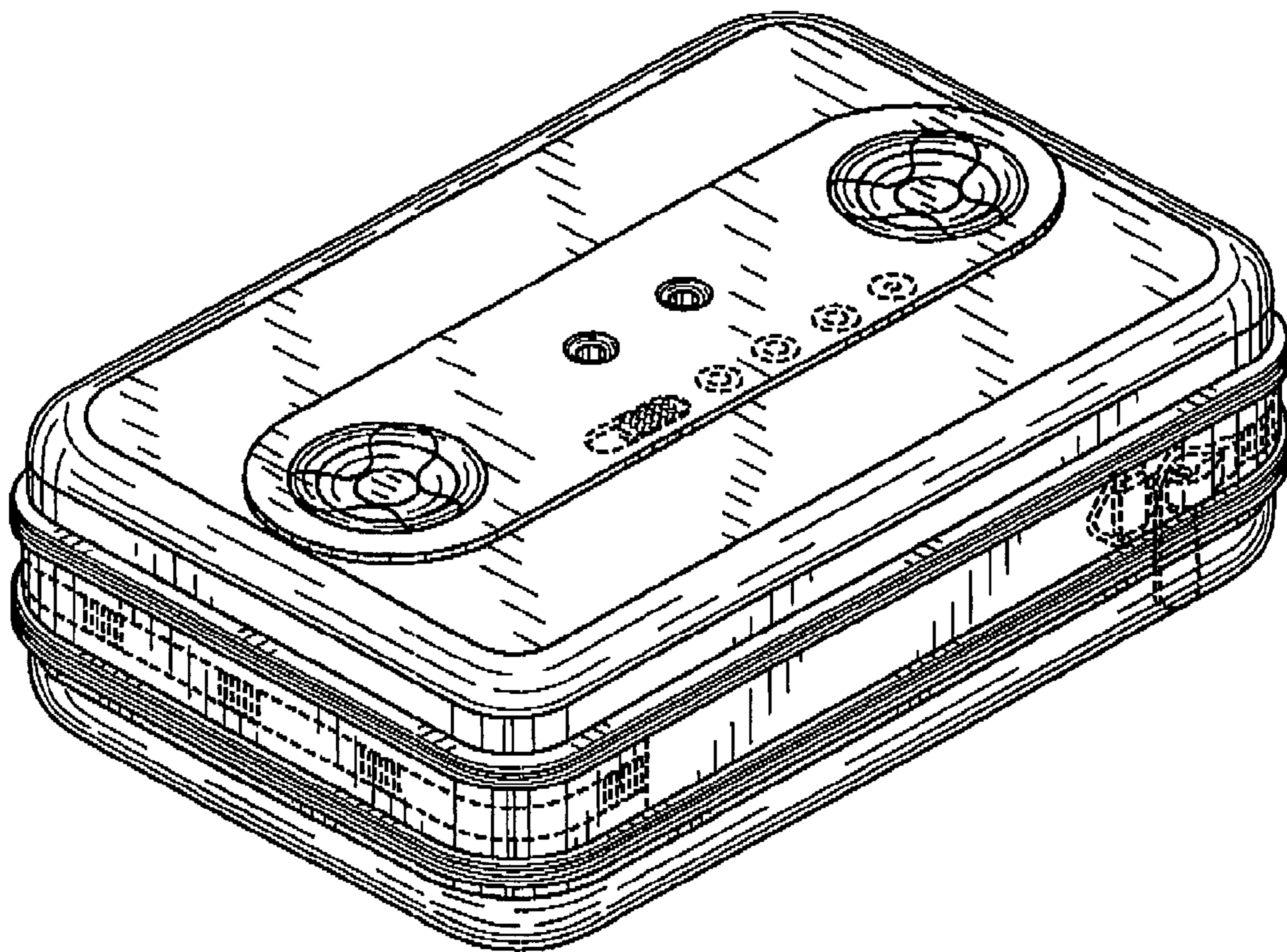


FIG. 2

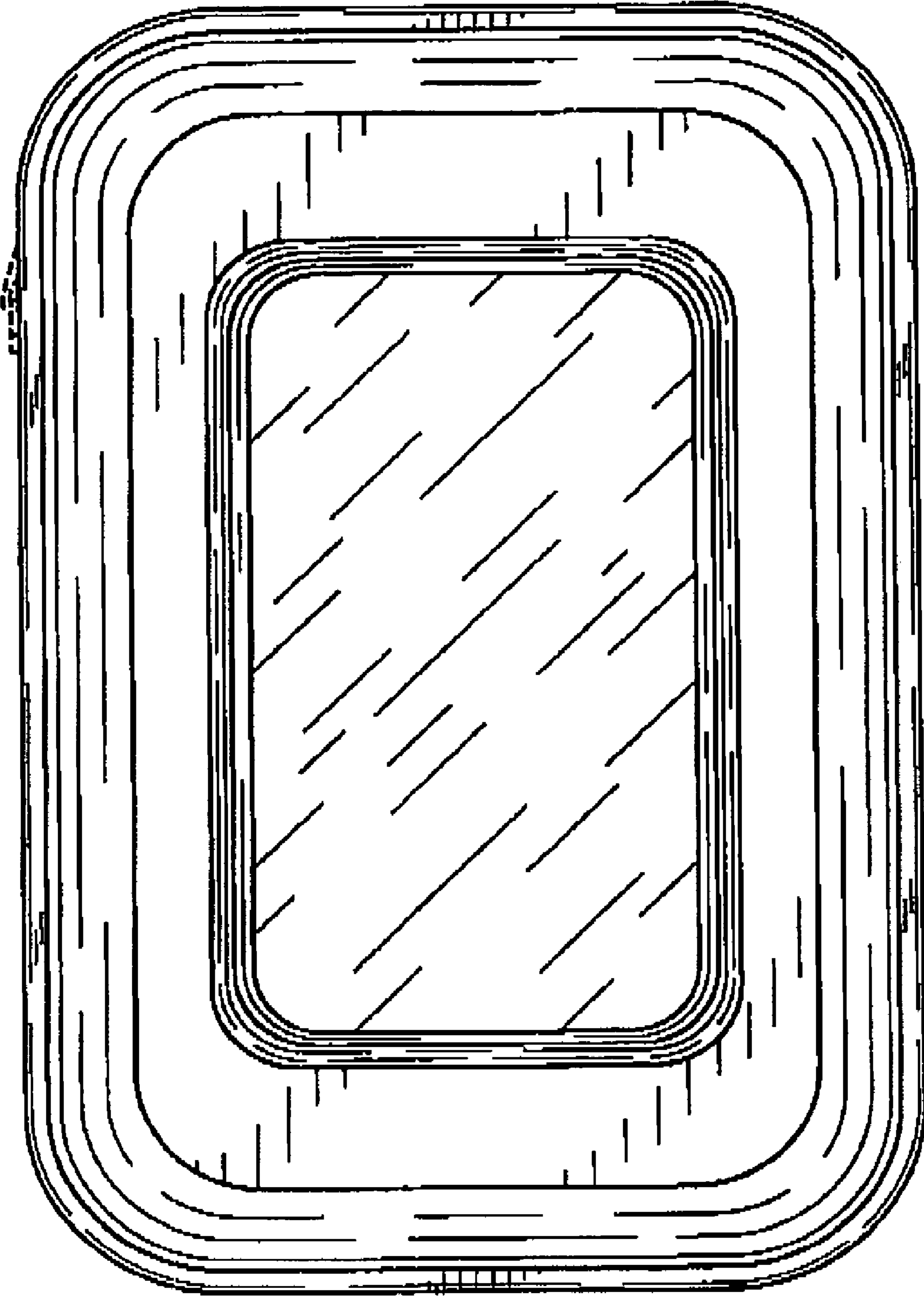


FIG. 3

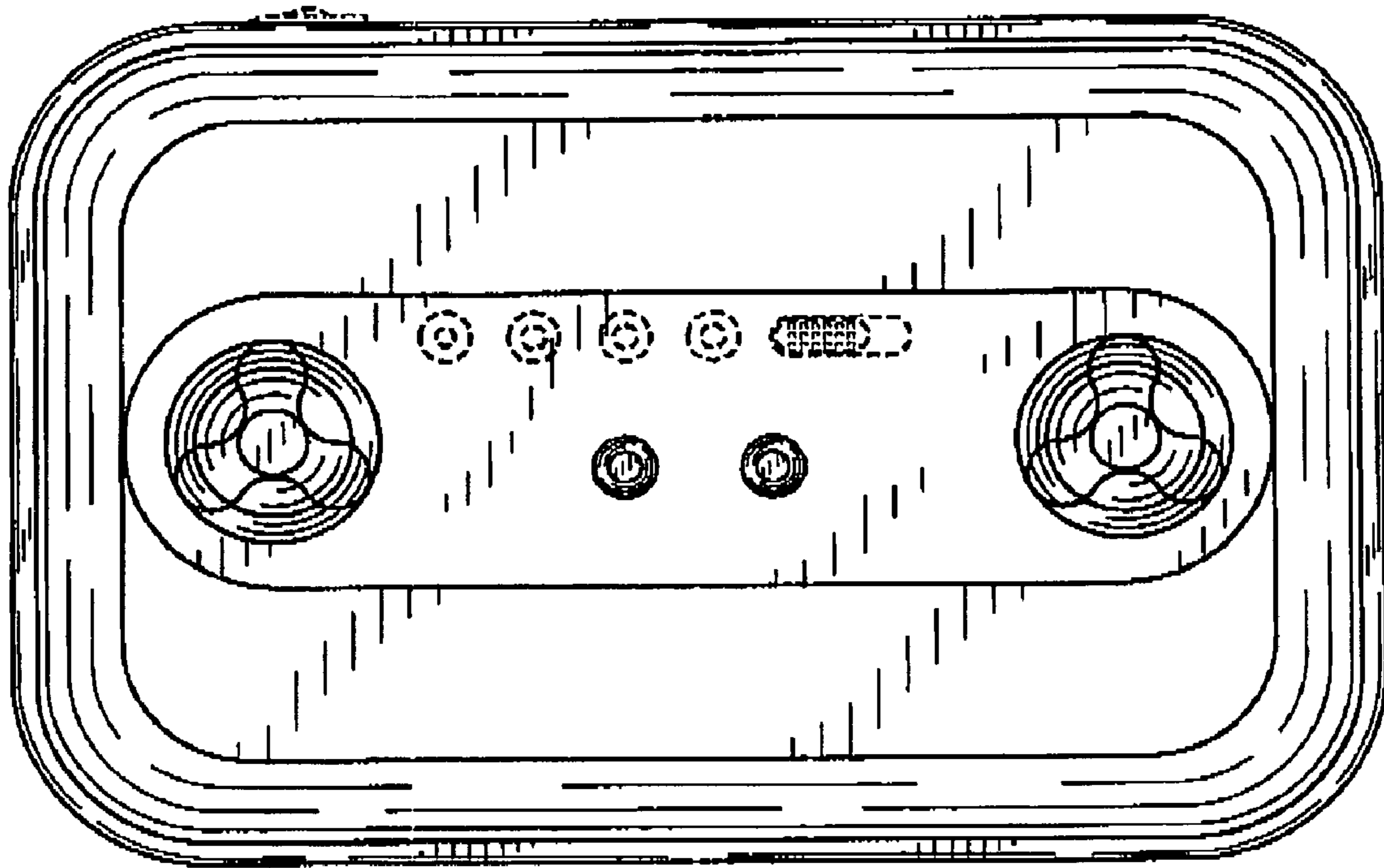


FIG. 4

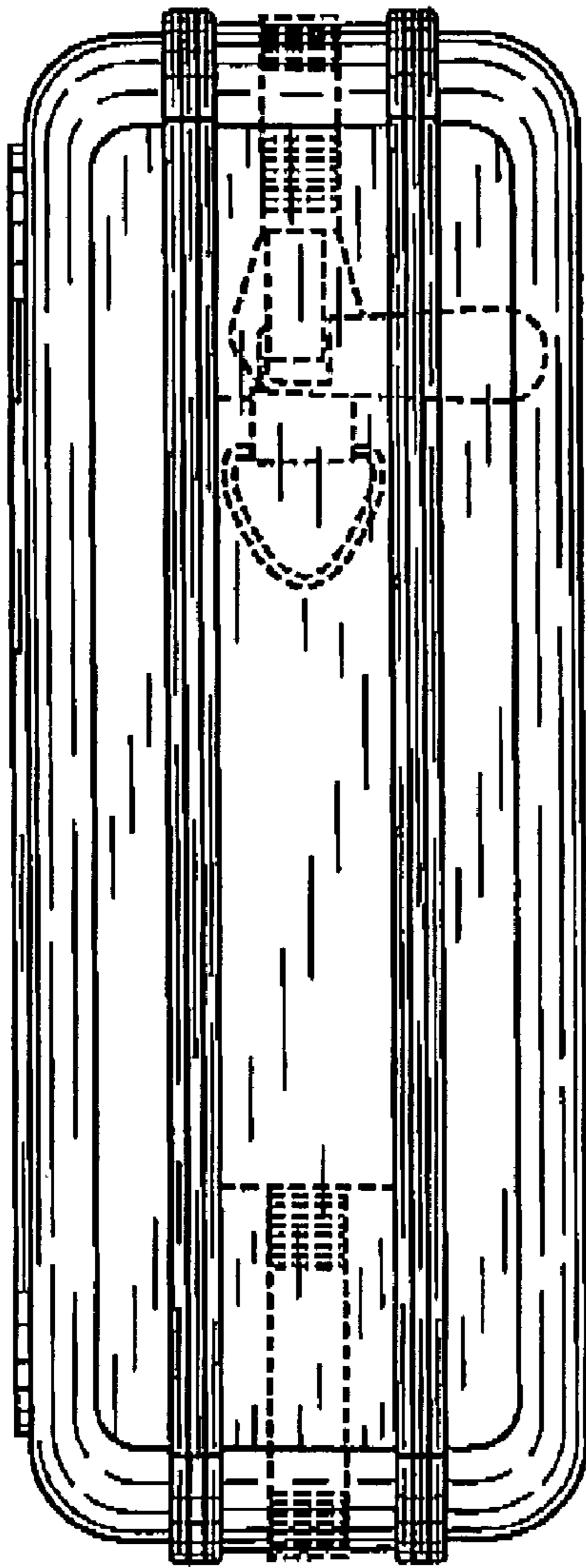


FIG. 5

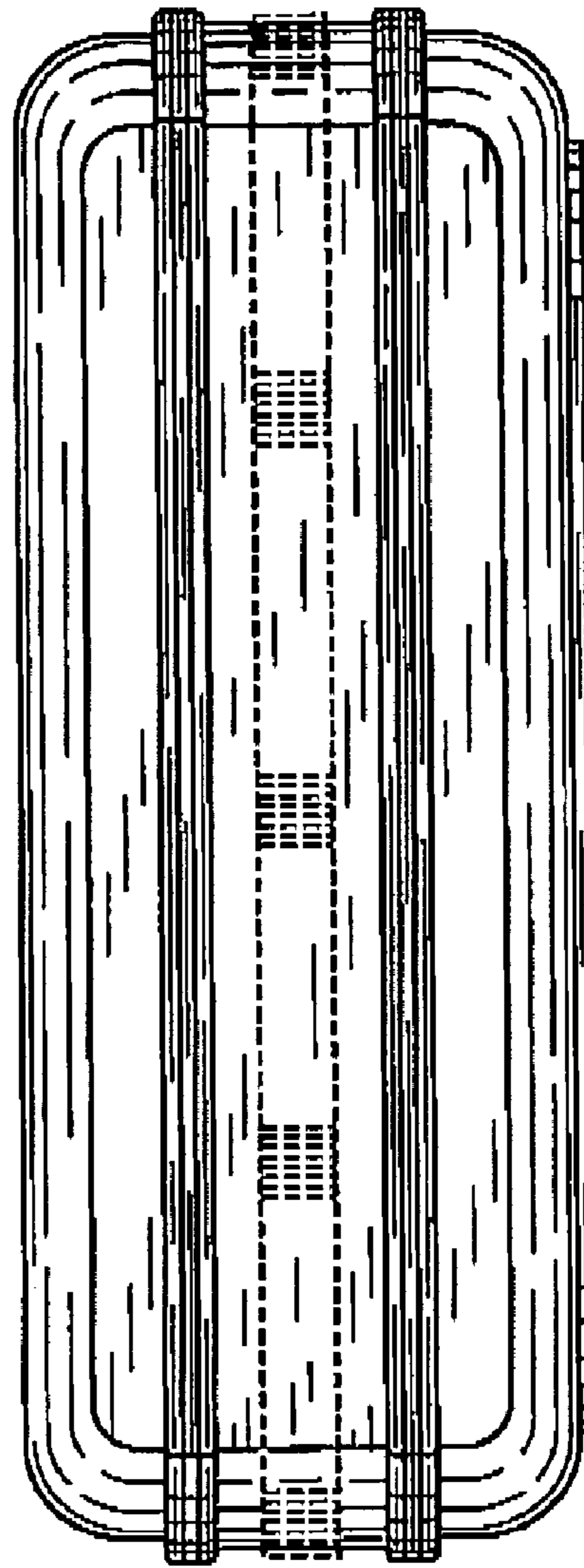


FIG. 6

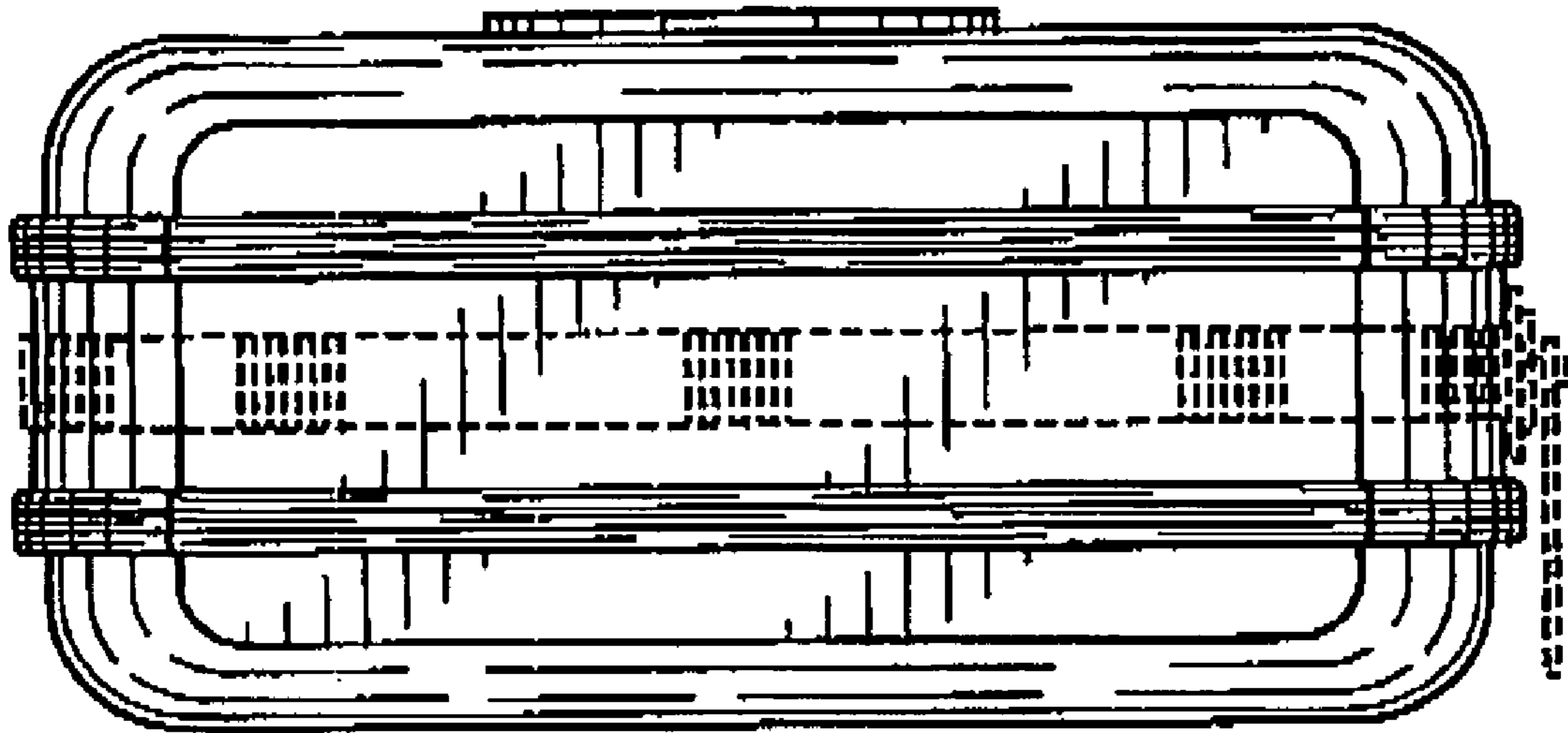


FIG. 7