



US00D592182S

(12) **United States Design Patent**  
**Sanguinetti**

(10) **Patent No.:** **US D592,182 S**

(45) **Date of Patent:** **\*\* May 12, 2009**

(54) **HEADSET**

(75) Inventor: **Alejandro Sanguinetti**, Helsinki (FI)

(73) Assignee: **Nokia Corporation**, Espoo (FI)

(\*\*) Term: **14 Years**

(21) Appl. No.: **29/304,139**

(22) Filed: **Feb. 26, 2008**

(30) **Foreign Application Priority Data**

Aug. 27, 2007 (EM) ..... 000779053

(51) **LOC (9) Cl.** ..... **14-01**

(52) **U.S. Cl.** ..... **D14/205**

(58) **Field of Classification Search** ..... D14/205,  
D14/206, 223, 188, 192; 181/129, 130; 379/430,  
379/431; 381/379, 380, 381, 382, 383, 371,  
381/374, 375

See application file for complete search history.

(56) **References Cited**

**U.S. PATENT DOCUMENTS**

|           |     |         |                 |       |         |
|-----------|-----|---------|-----------------|-------|---------|
| 4,597,469 | A * | 7/1986  | Nagashima       | ..... | 181/129 |
| D291,198  | S * | 8/1987  | Bellini         | ..... | D14/205 |
| D328,074  | S * | 7/1992  | Yamazaki et al. | ..... | D14/205 |
| D348,465  | S * | 7/1994  | Yamatogi        | ..... | D14/205 |
| D358,389  | S * | 5/1995  | Isono           | ..... | D14/205 |
| D394,062  | S * | 5/1998  | Chun            | ..... | D14/192 |
| D439,574  | S * | 3/2001  | Katayama        | ..... | D14/156 |
| D453,015  | S * | 1/2002  | Yuyama          | ..... | D14/205 |
| D467,895  | S * | 12/2002 | Hirano          | ..... | D14/192 |

|           |      |         |                  |       |         |
|-----------|------|---------|------------------|-------|---------|
| D504,414  | S *  | 4/2005  | Yoshida          | ..... | D14/192 |
| D505,411  | S *  | 5/2005  | Sakai            | ..... | D14/192 |
| D517,526  | S *  | 3/2006  | Komiyama         | ..... | D14/205 |
| D525,614  | S *  | 7/2006  | Lee              | ..... | D14/205 |
| 7,072,483 | B2 * | 7/2006  | Lenhard-Backhaus | ..... | 381/383 |
| D534,156  | S *  | 12/2006 | Obata            | ..... | D14/205 |
| D538,261  | S *  | 3/2007  | Taylor et al.    | ..... | D14/205 |
| D540,301  | S *  | 4/2007  | Obata            | ..... | D14/205 |
| D540,302  | S *  | 4/2007  | Hagiwara et al.  | ..... | D14/205 |
| D541,255  | S *  | 4/2007  | Taylor et al.    | ..... | D14/205 |
| D557,684  | S *  | 12/2007 | Pundsack et al.  | ..... | D14/205 |
| D570,824  | S *  | 6/2008  | Schultz et al.   | ..... | D14/205 |
| D573,581  | S *  | 7/2008  | Gondo et al.     | ..... | D14/205 |

\* cited by examiner

*Primary Examiner*—Paula Greene

(74) *Attorney, Agent, or Firm*—Banner & Witcoff, Ltd.

(57) **CLAIM**

The ornamental design for a headset, as shown and described.

**DESCRIPTION**

FIG. 1 is a right perspective view of a headset showing my new design;

FIG. 2 is a left perspective view thereof;

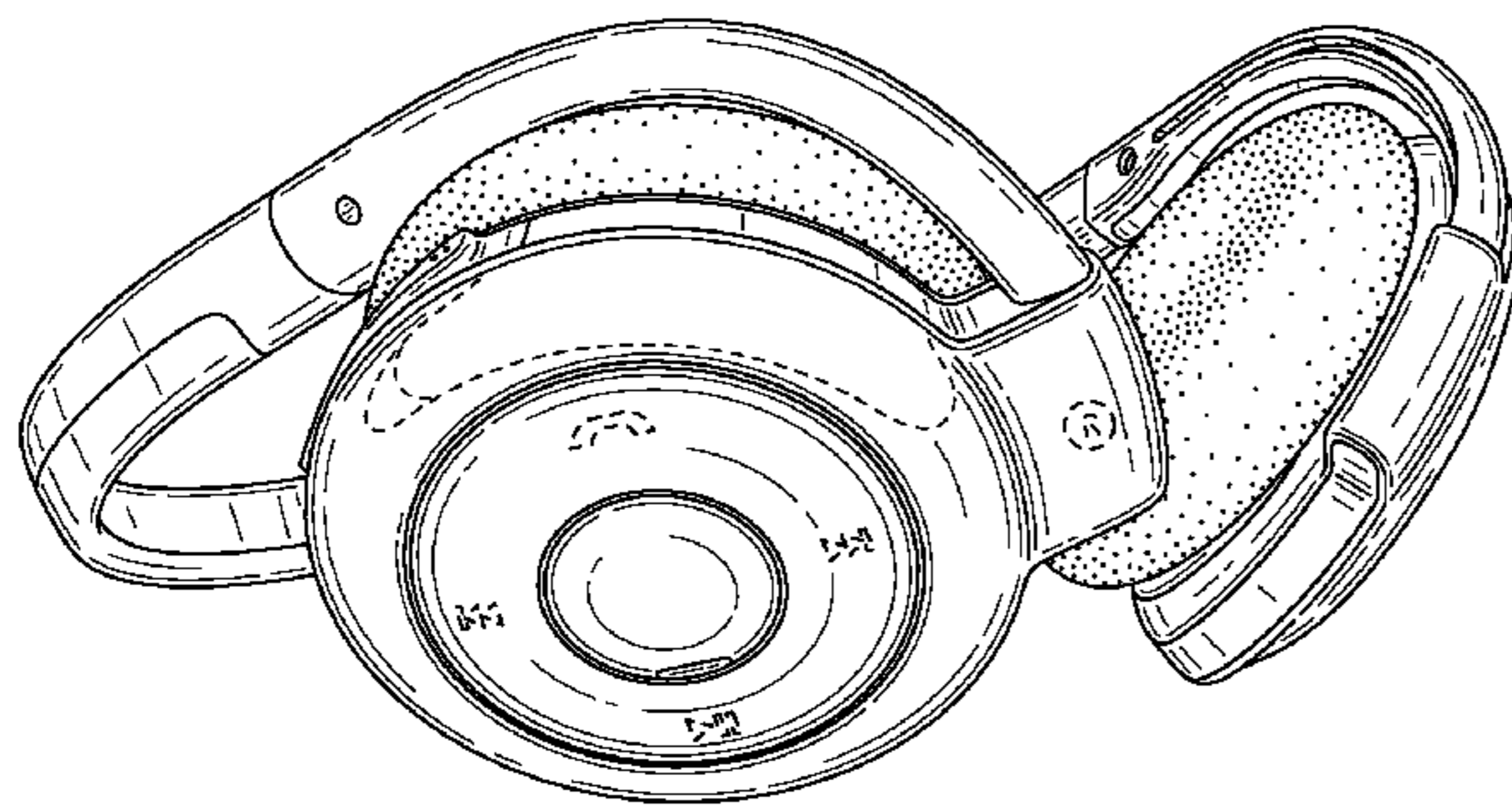
FIG. 3 is a front view thereof;

FIG. 4 is a top view thereof; and,

FIG. 5 is a bottom view thereof.

The broken line showing environmental structure or surface ornamentations is for illustrative purposes only and forms no part of the claimed design.

**1 Claim, 5 Drawing Sheets**



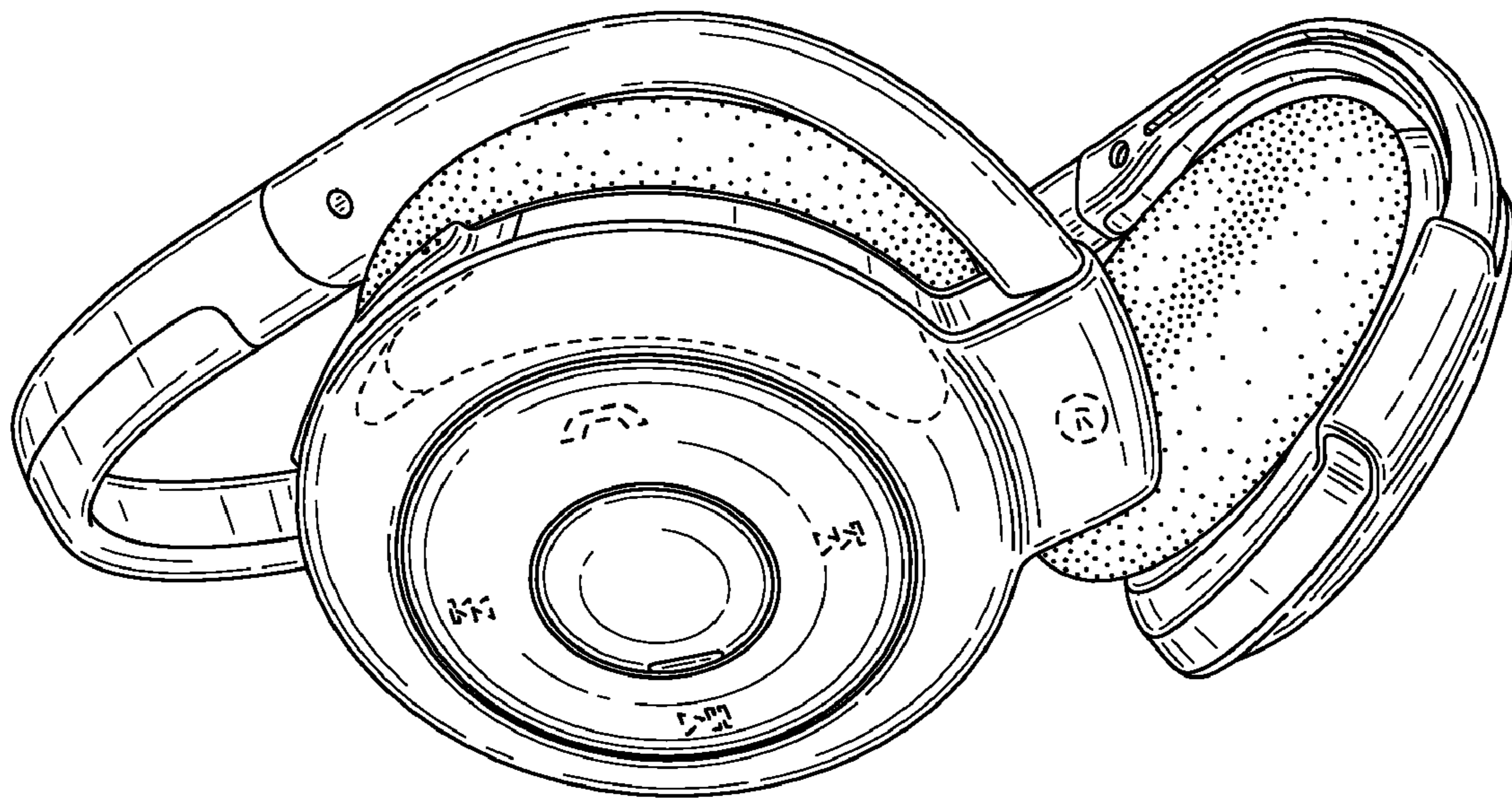


FIG. 1

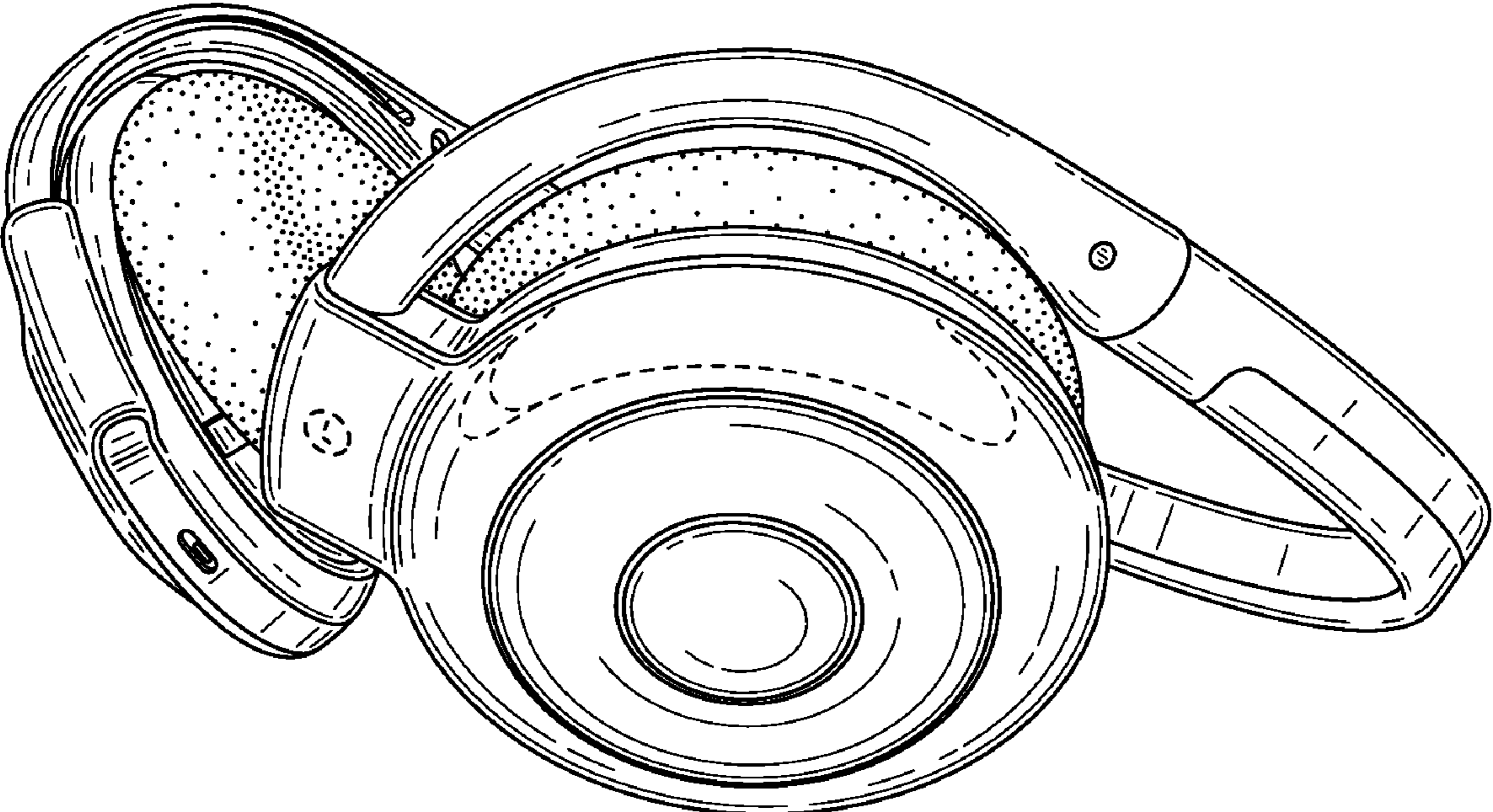


FIG. 2



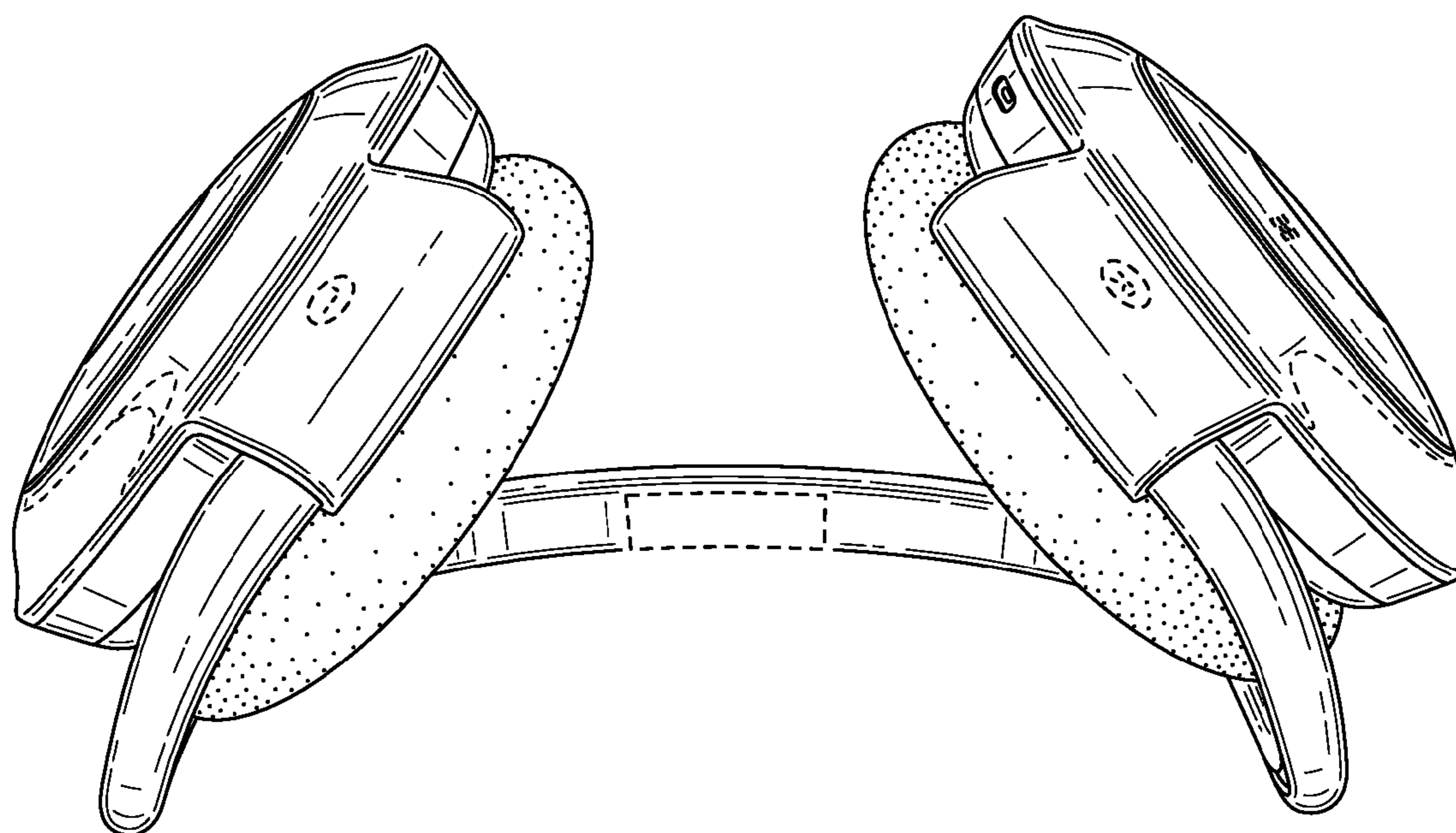


FIG. 3



FIG. 4

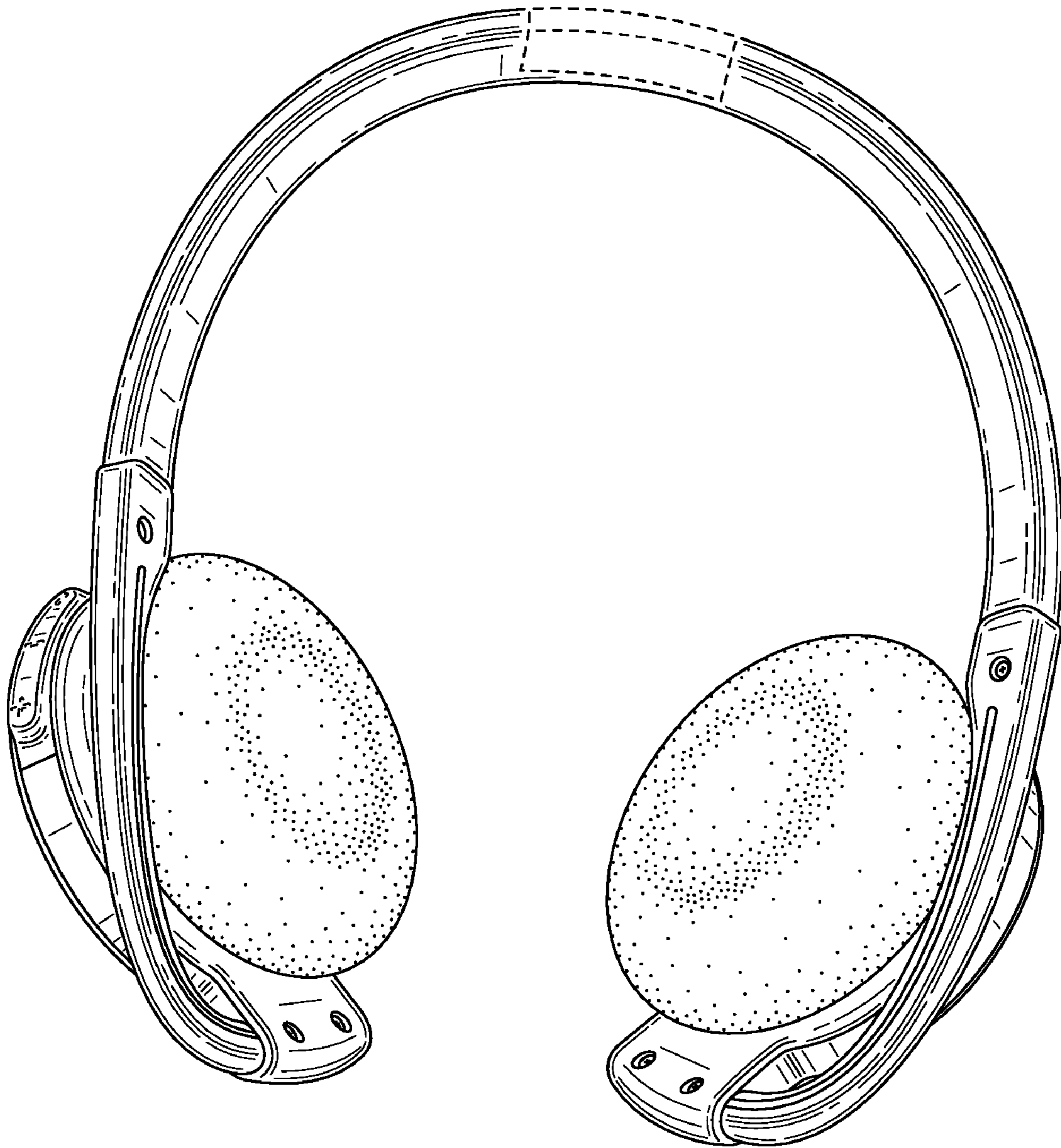


FIG. 5