



US00D592181S

(12) **United States Design Patent**
Komiyama

(10) **Patent No.:** **US D592,181 S**

(45) **Date of Patent:** **** *May 12, 2009**

(54) **HEADPHONE**

(75) Inventor: **Jun Komiyama**, Tokyo (JP)

(73) Assignee: **Sony Corporation**, Tokyo (JP)

(*) Notice: This patent is subject to a terminal disclaimer.

(**) Term: **14 Years**

(21) Appl. No.: **29/300,378**

(22) Filed: **Mar. 20, 2008**

(30) **Foreign Application Priority Data**

Oct. 15, 2007 (JP) D2007-028162

(51) **LOC (9) Cl.** **14-01**

(52) **U.S. Cl.** **D14/205**

(58) **Field of Classification Search** D14/205,
D14/206, 223, 156, 192, 216, 250, 188, 249,
D14/248; 379/430, 431; 381/376, 377, 378,
381/379, 380, 381; 439/374; D24/106; 2/209;
D29/112, 108, 122; 128/866, 865, 864;
181/129, 130, 137; 455/351
See application file for complete search history.

(56) **References Cited**

U.S. PATENT DOCUMENTS

D29,707 S *	11/1898	Mulconroy	D14/249
797,509 A *	8/1905	Frank	128/864
1,624,144 A *	4/1927	Mathieu	181/129
2,125,348 A *	8/1938	Kurman	381/380
2,284,462 A *	5/1942	Williams	439/374
D135,303 S *	3/1943	Scher	D14/249
2,508,918 A *	5/1950	Hines, Jr.	455/351
3,016,054 A *	1/1962	Rosenblatt	128/866
3,231,688 A *	1/1966	Ugartechea	379/447
D214,128 S *	5/1969	Eriksson	D14/249
4,490,857 A *	1/1985	Leight et al.	2/209
D320,798 S *	10/1991	Holt	D14/249
5,551,090 A *	9/1996	Thompson	2/209
D377,796 S	2/1997	Hayashi	

D391,576 S *	3/1998	Mullin et al.	D14/223
D395,657 S *	6/1998	Leight	D14/223
D399,206 S	10/1998	Yasutomi et al.	
5,824,966 A *	10/1998	Leight	181/130
D402,659 S *	12/1998	Suzuki	D14/215
D423,664 S *	4/2000	Falco	D24/106
D427,999 S *	7/2000	Tate et al.	D14/240
6,138,790 A *	10/2000	Leight	181/130
D439,574 S *	3/2001	Katayama	D14/156
D444,140 S	6/2001	Ishibashi	
D453,015 S	1/2002	Yuyama	
D457,515 S	5/2002	Masamitsu et al.	
D464,944 S *	10/2002	Lee et al.	D14/206
D477,820 S	7/2003	Suzuki et al.	
D481,375 S	10/2003	Suzuki	
D487,455 S *	3/2004	Asahina et al.	D14/248
D505,132 S *	5/2005	Linville et al.	D14/223
D505,411 S	5/2005	Sakai	
D549,215 S *	8/2007	Lee	D14/206

* cited by examiner

Primary Examiner—Paula Greene

(74) *Attorney, Agent, or Firm*—Rader, Fishman & Grauer, PLLC

(57) **CLAIM**

The ornamental design for a headphone, as shown and described.

DESCRIPTION

FIG. 1 is a perspective view of a headphone showing my new design;

FIG. 2 is a front elevational view thereof;

FIG. 3 is a rear elevational view thereof;

FIG. 4 is a left side elevational view thereof;

FIG. 5 is a right side elevational view thereof;

FIG. 6 is a top plan view thereof; and,

FIG. 7 is a bottom plan view thereof.

Portions in broken lines are for illustrative purposes only and do not form claimed design.

1 Claim, 7 Drawing Sheets

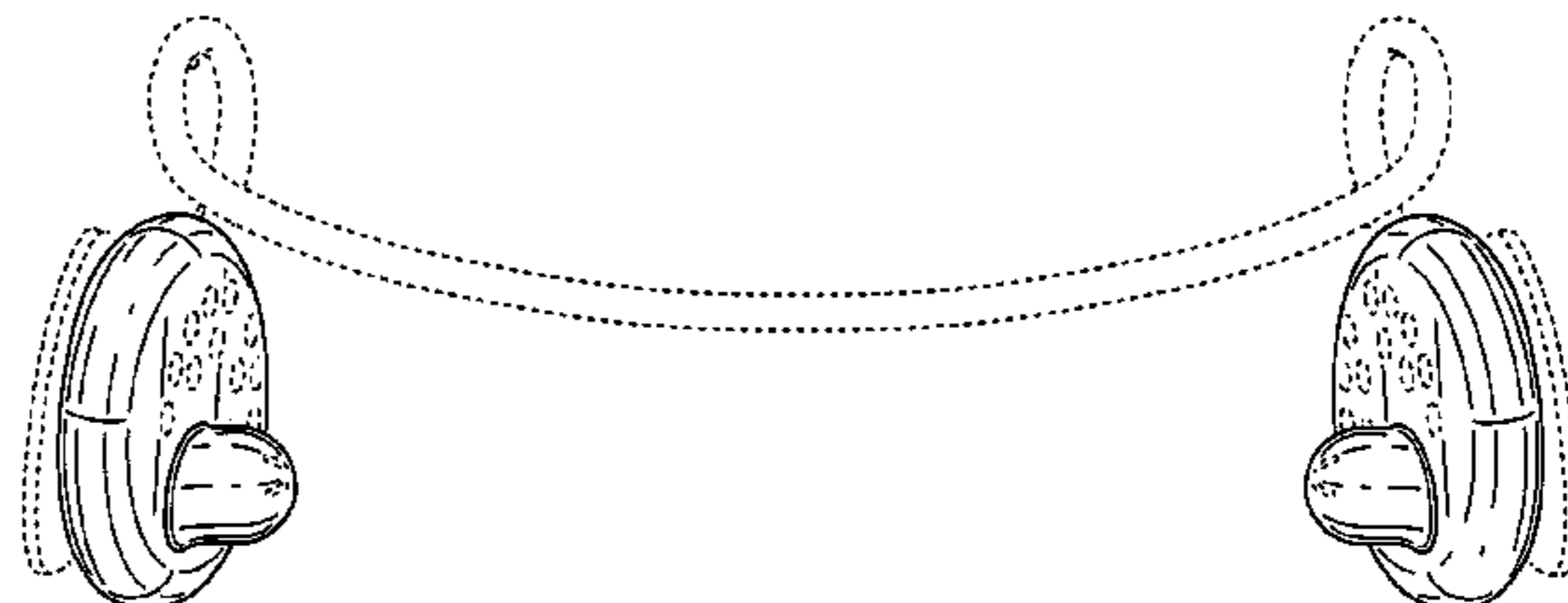
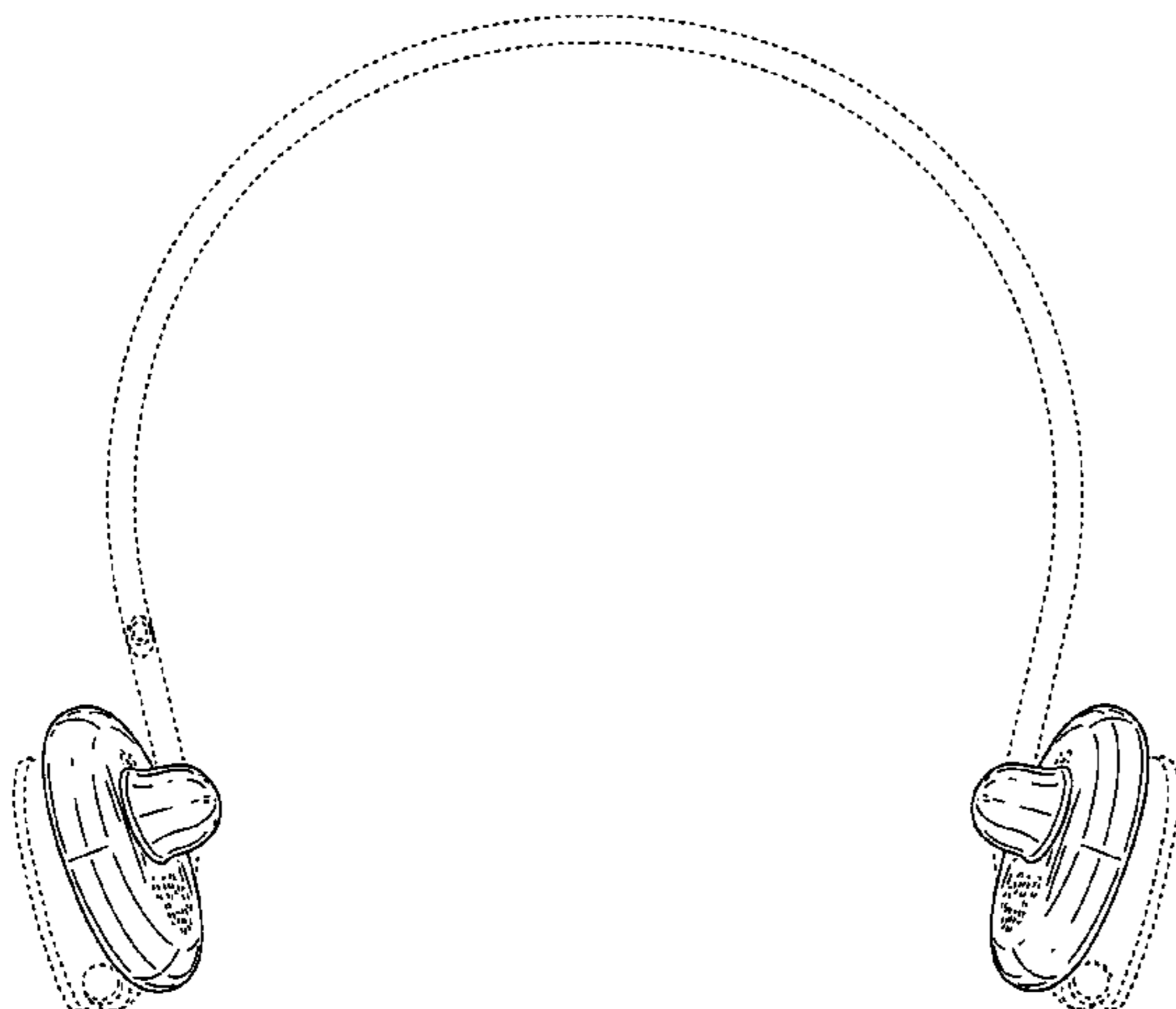


FIG.1

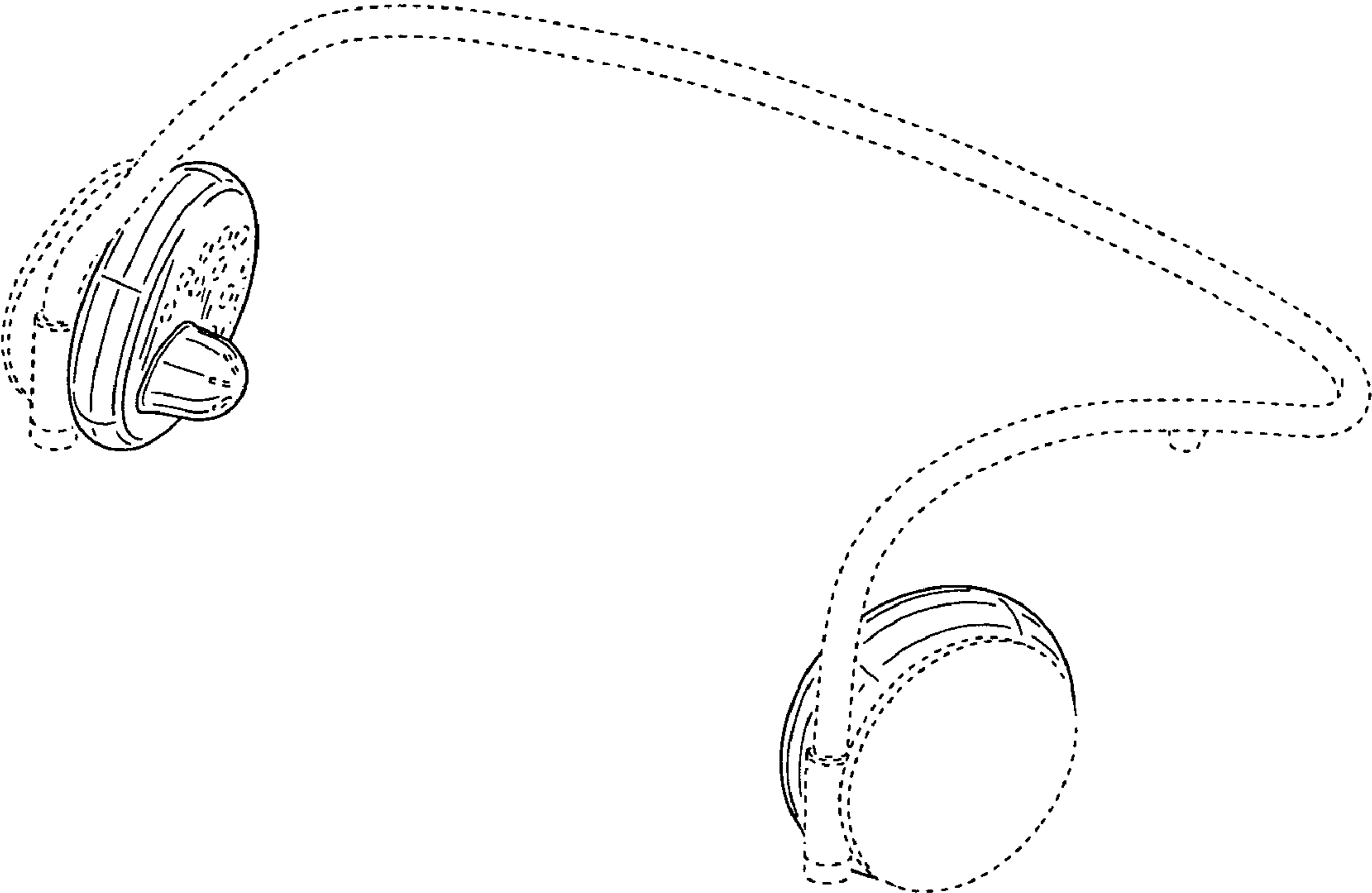


FIG.2

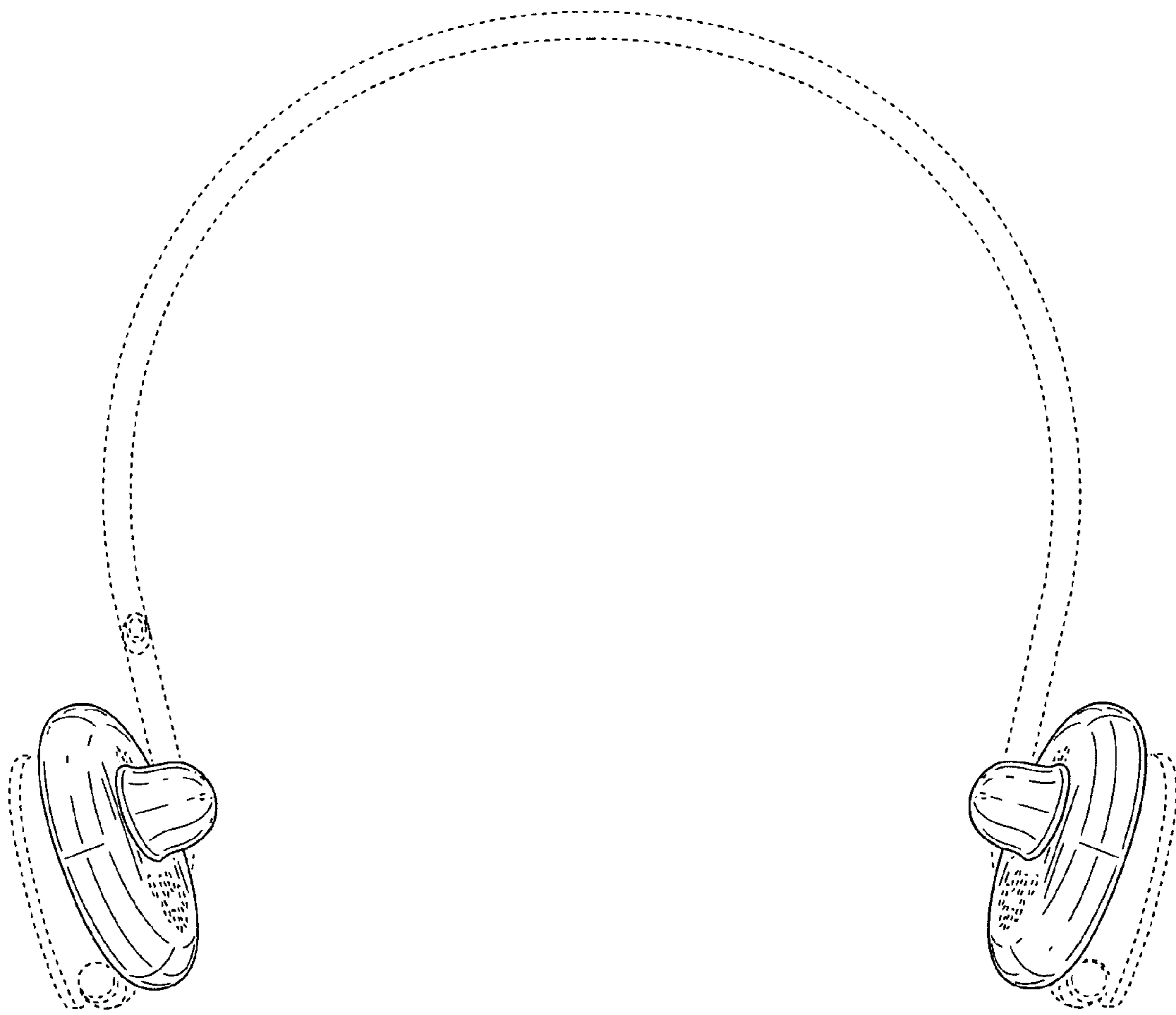


FIG.3

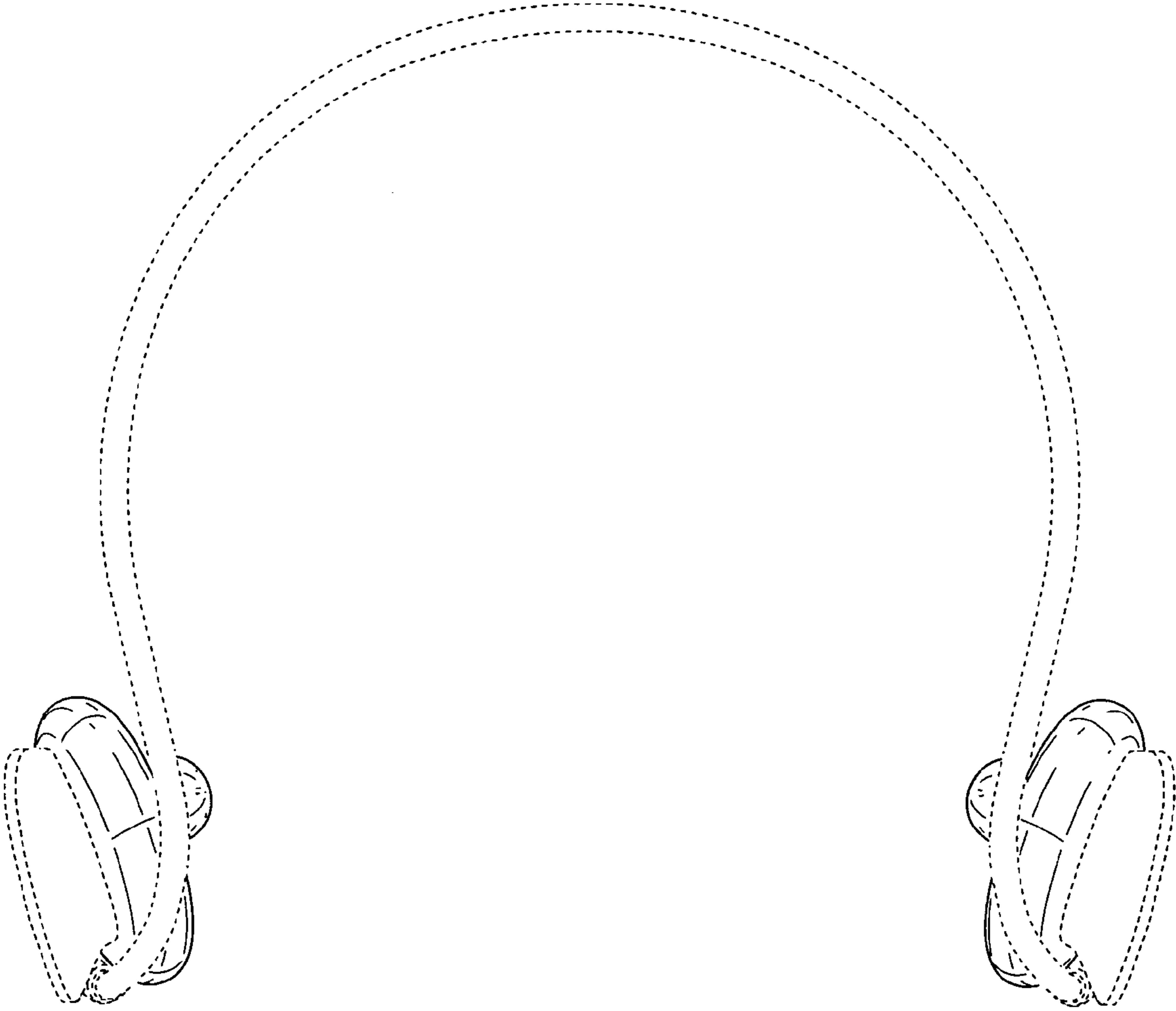


FIG.4

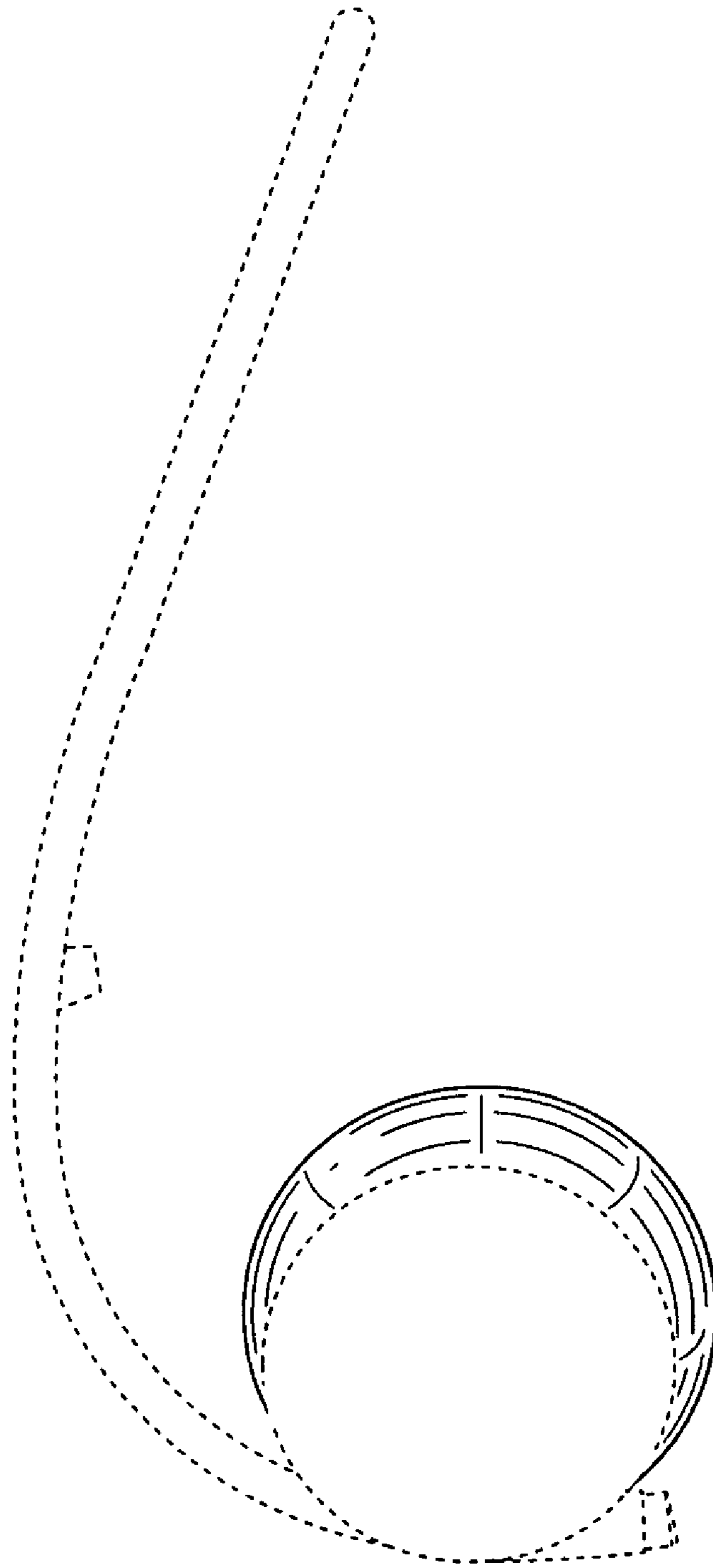


FIG.5

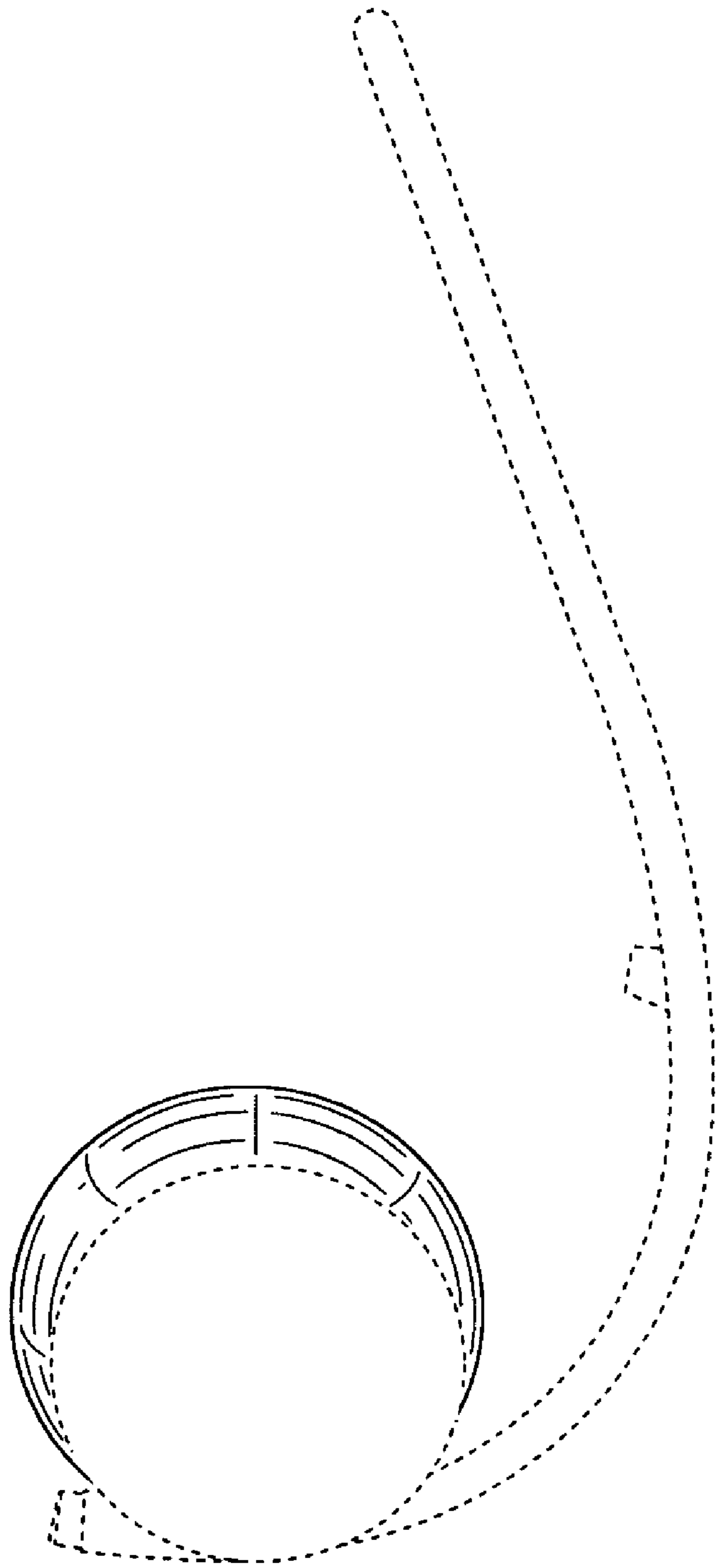


FIG.6

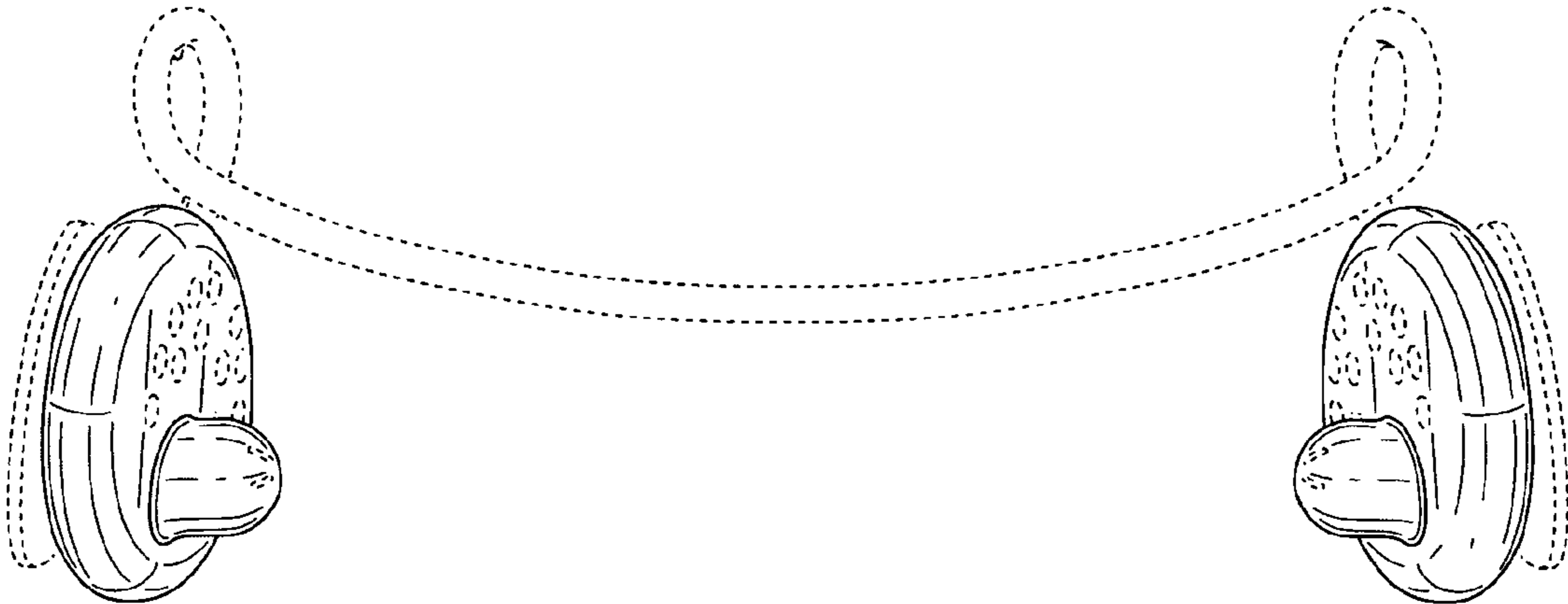


FIG.7

