



US00D592180S

(12) **United States Design Patent**
Davis et al.

(10) **Patent No.:** **US D592,180 S**
(45) **Date of Patent:** **** May 12, 2009**

(54) **SPEAKER FOR LIGHT BAR**

(75) Inventors: **John C. Davis**, Eureka, MO (US);
Roger L. Miller, Louisville, KY (US)

(73) Assignee: **Code 3, Inc.**, St. Louis, MO (US)

(**) Term: **14 Years**

(21) Appl. No.: **29/322,712**

(22) Filed: **Aug. 11, 2008**

(51) **LOC (9) Cl.** **14-01**

(52) **U.S. Cl.** **D14/204; D14/216**

(58) **Field of Classification Search** D14/204,
D14/210–216, 172; 181/143–144, 147–148,
181/150–153, 157, 198–199; 381/300–303,
381/306, 332–333, 336, 345, 361–364, 386–388;
D26/51, 59

See application file for complete search history.

(56) **References Cited**

U.S. PATENT DOCUMENTS

D75,617 S * 6/1928 Faison D14/211
4,655,315 A * 4/1987 Saville 181/153
5,970,158 A 10/1999 Beltran

D425,895 S 5/2000 Lyons
D452,454 S 12/2001 Bekasi et al.
D468,726 S * 1/2003 Shimokawatoko et al. . D14/215
7,278,513 B2 * 10/2007 Brawley, Jr. 181/199

* cited by examiner

Primary Examiner—Nanda Bondade

(74) *Attorney, Agent, or Firm*—Senniger Powers LLP

(57) **CLAIM**

The ornamental design for a speaker for light bar, as shown and described.

DESCRIPTION

FIG. 1 is a perspective view of a speaker for a light bar incorporating our new design.

FIG. 2 is a front elevation view of the speaker of FIG. 1.

FIG. 3 is a top plan view of the speaker of FIG. 1.

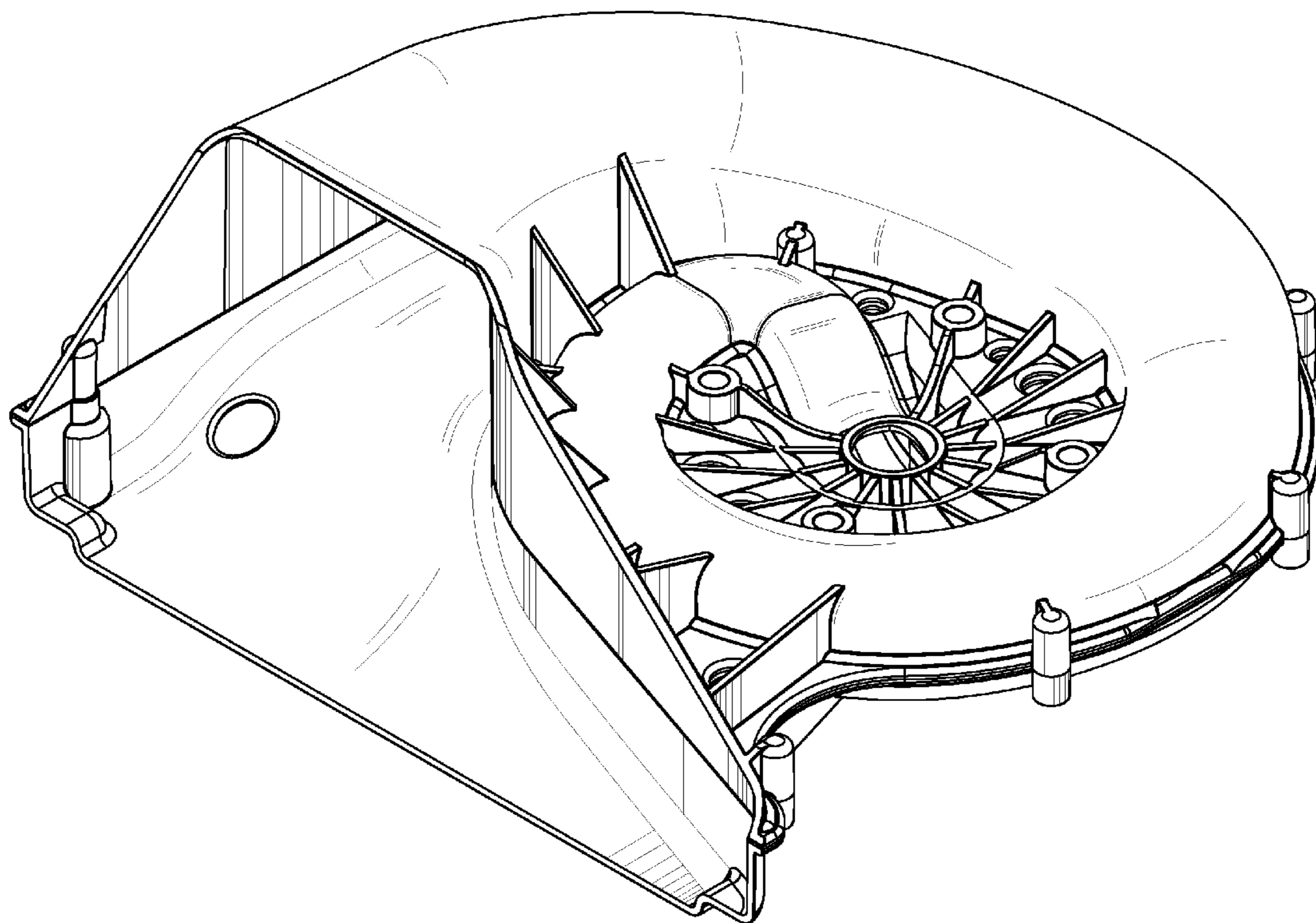
FIG. 4 is a right side elevation view of the speaker of FIG. 1.

FIG. 5 is a left side elevation view of the speaker of FIG. 1.

FIG. 6 is a bottom plan view of the speaker of FIG. 1; and,

FIG. 7 is a rear elevation view of the speaker of FIG. 1.

1 Claim, 7 Drawing Sheets



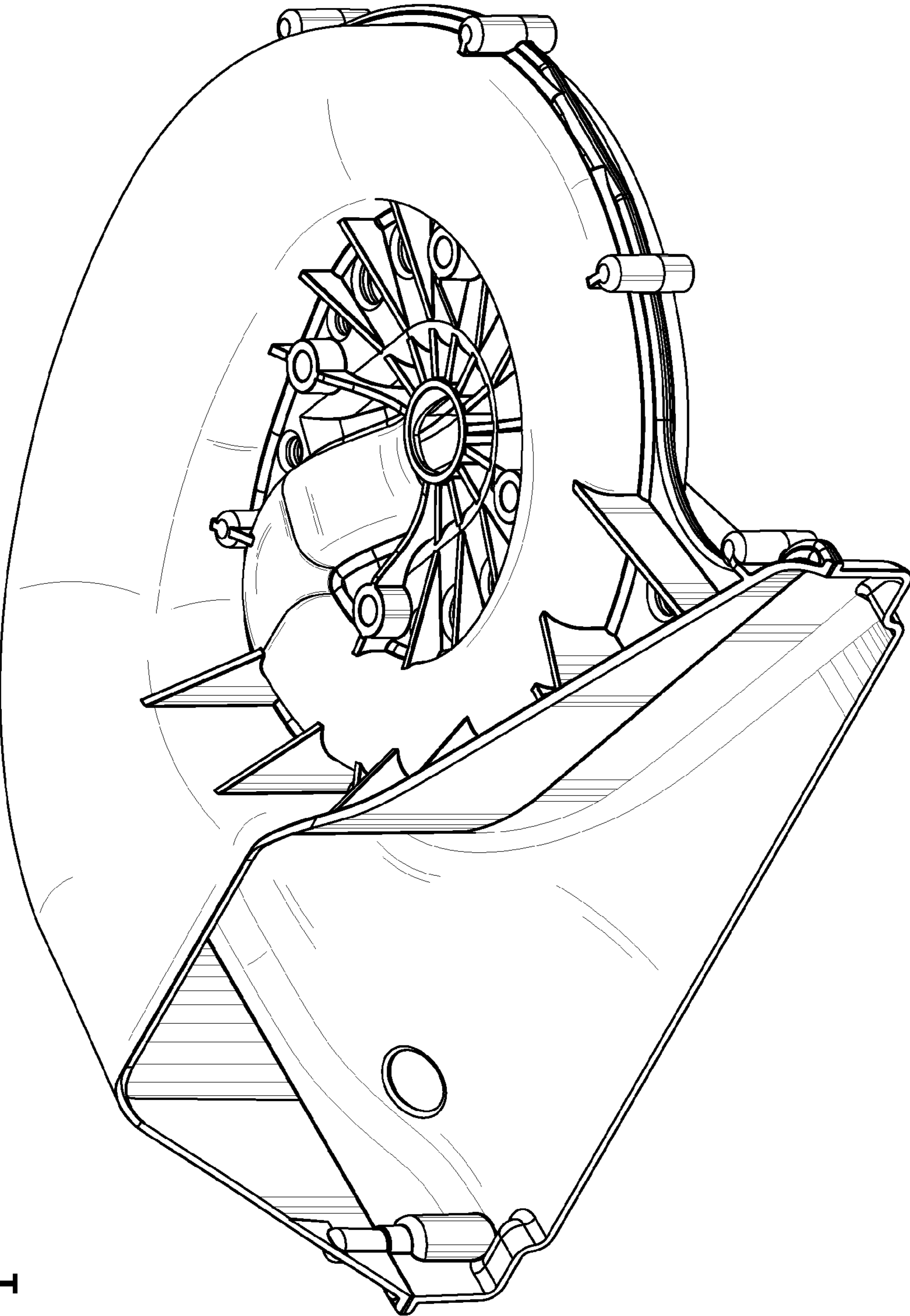


FIG. 1

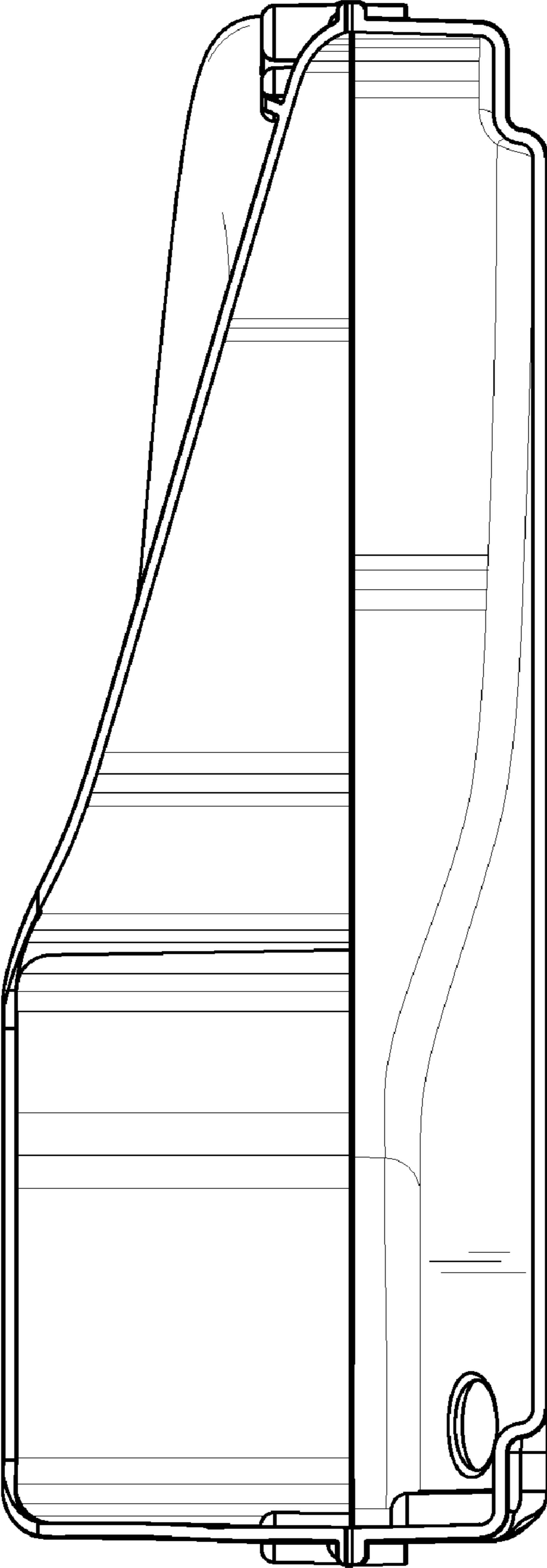
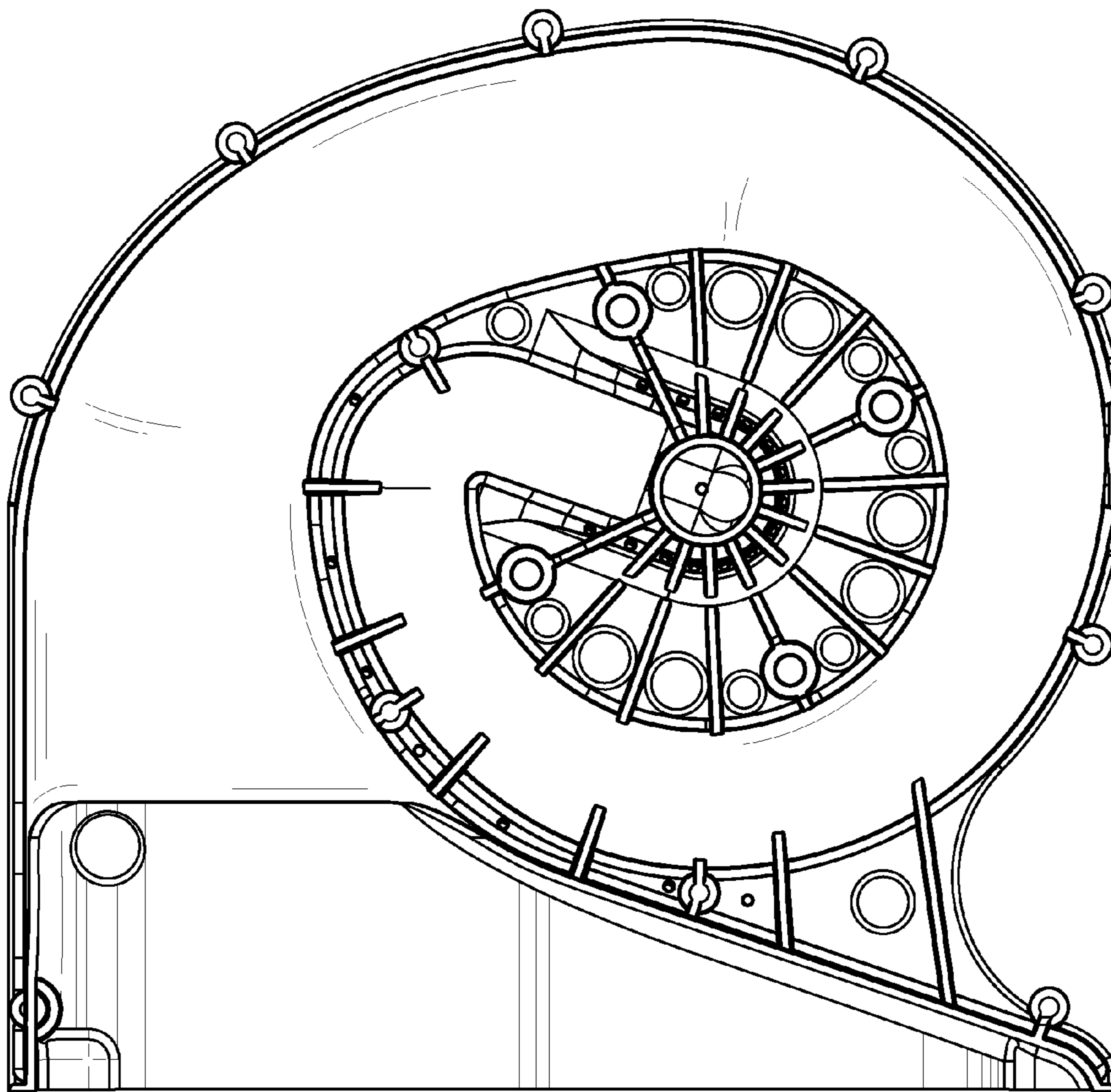


FIG. 2

FIG. 3



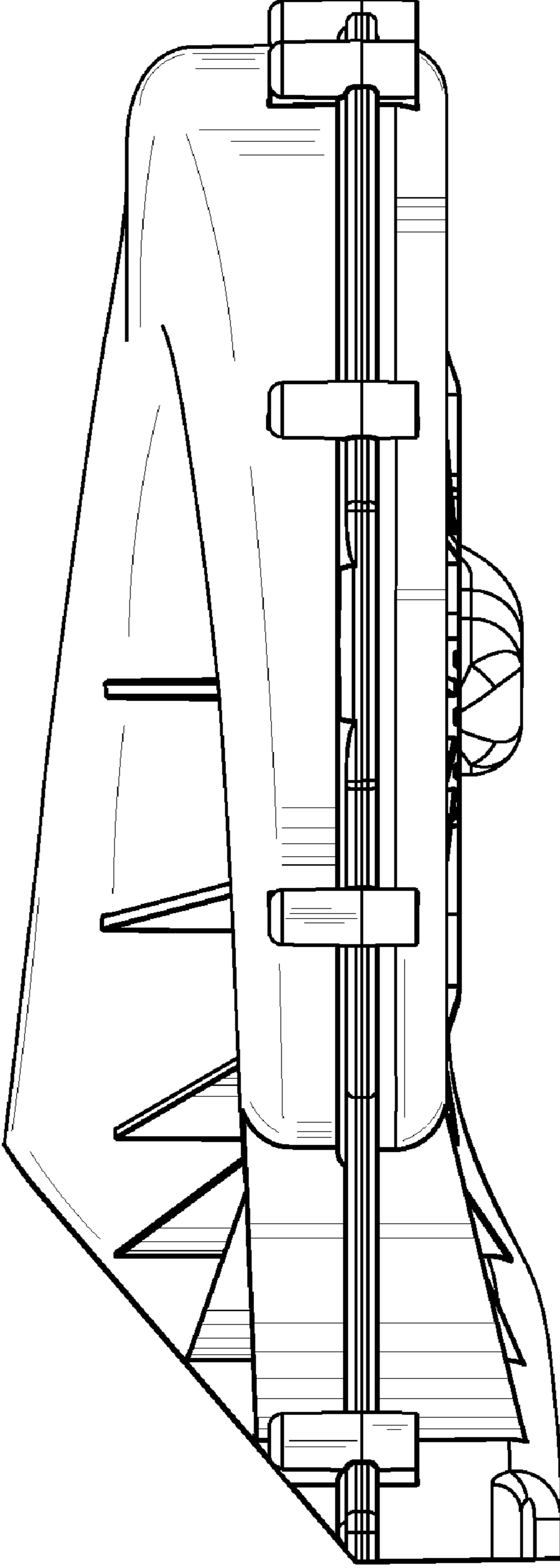


FIG. 4

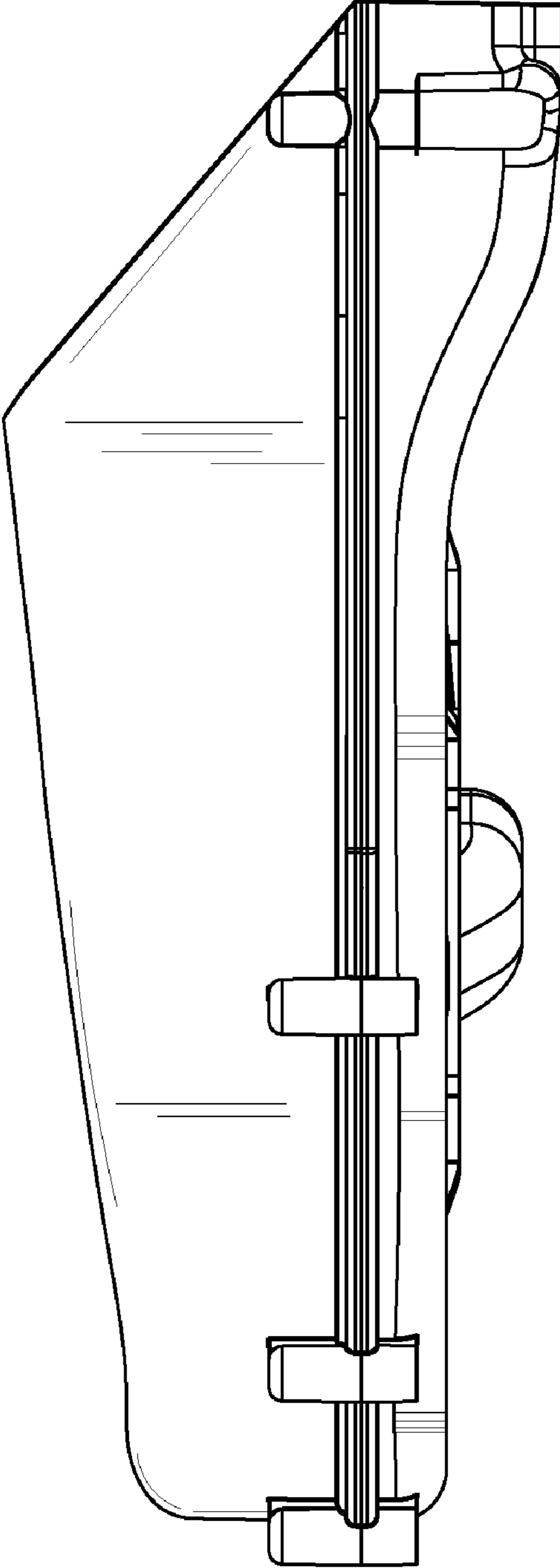
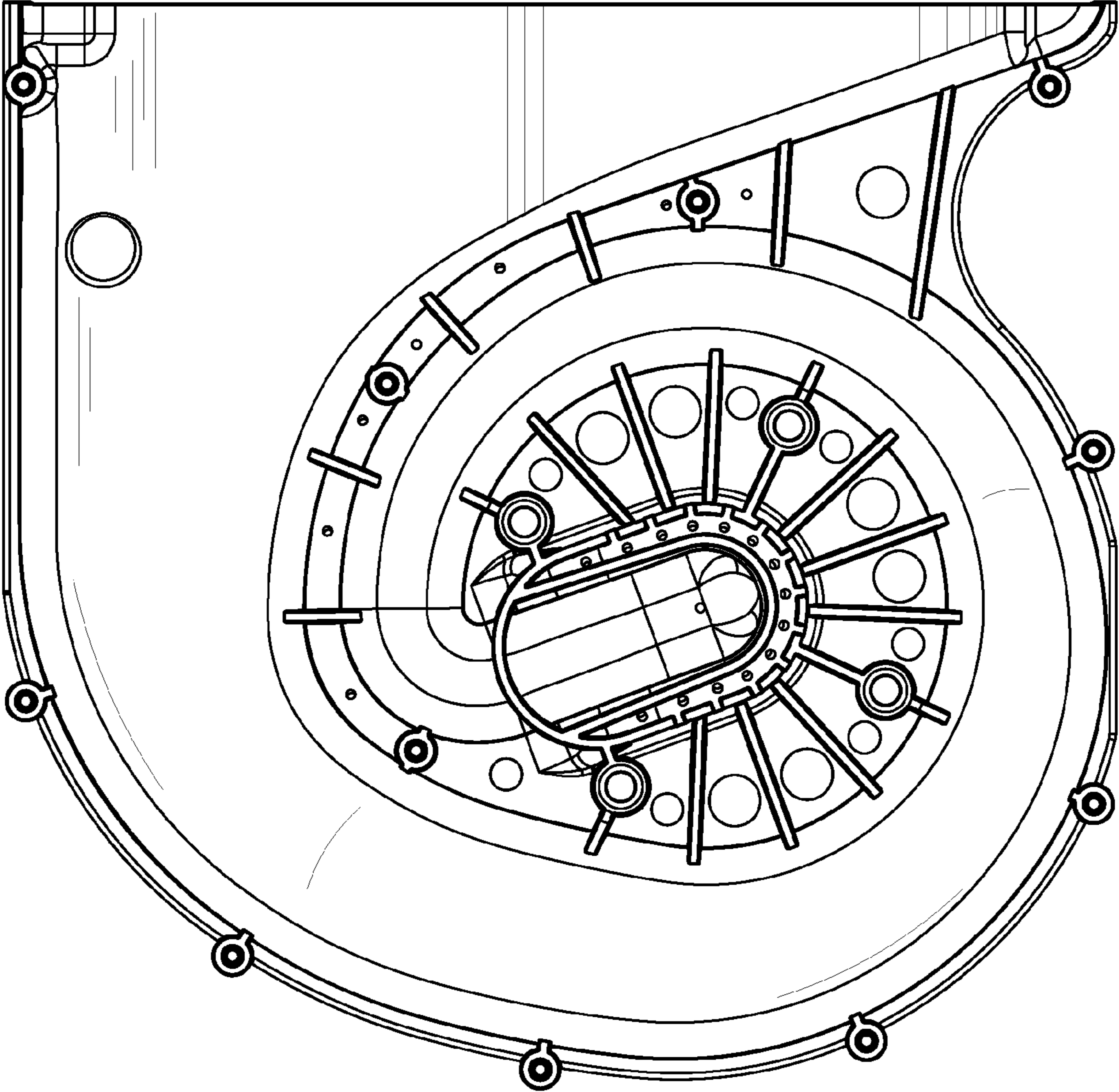


FIG. 5

FIG. 6



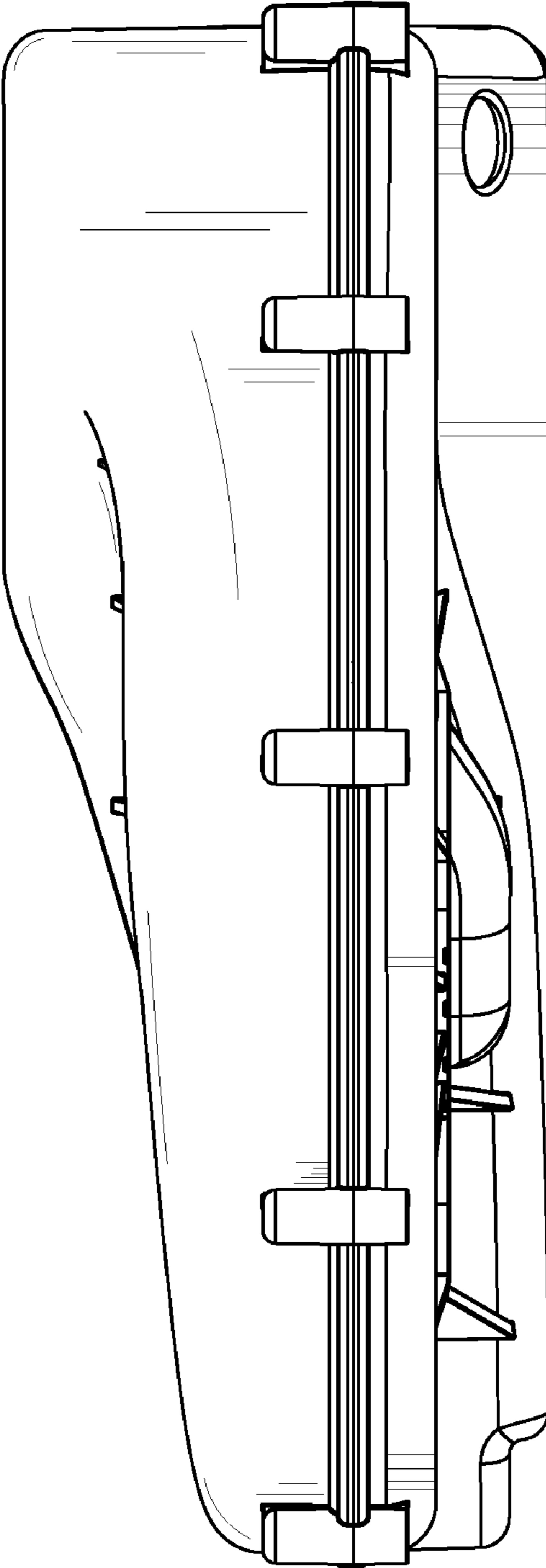


FIG. 7