



US00D592179S

(12) **United States Design Patent**
Ichinose et al.

(10) **Patent No.:** **US D592,179 S**
(45) **Date of Patent:** **** May 12, 2009**

(54) **DIGITAL AUDIO SYSTEM**

D540,818 S * 4/2007 Reawsanguanwong et al. .. D14/496

(75) Inventors: **Tomoyoshi Ichinose**, Tokyo (JP); **Min-A Oh**, Seoul (KR)

D542,279 S * 5/2007 Chan D14/216

* cited by examiner

(73) Assignee: **Samsung Electronics Co., Ltd.**, Suwon-Si (KR)

Primary Examiner—Nanda Bondade

(74) *Attorney, Agent, or Firm*—Staas & Halsey LLP

(**) Term: **14 Years**

(57) **CLAIM**

(21) Appl. No.: **29/274,803**

The ornamental design for a digital audio system, as shown and described.

(22) Filed: **May 25, 2007**

DESCRIPTION

(51) **LOC (9) Cl.** **14-01**

FIG. 1 is a perspective view of a digital audio system according to our new design;

(52) **U.S. Cl.** **D14/168; D14/502**

FIG. 2 is a front elevational view thereof;

(58) **Field of Classification Search** D14/135–136,

FIG. 3 is a rear elevational view thereof;

D14/156–157, 167–168, 496, 198, 188, 217,

FIG. 4 is a left side elevational view thereof;

D14/257, 258, 445; 360/99.02, 99.07; 369/75.11,

FIG. 5 is a right side elevational view thereof;

369/75.21, 77.21, 77.11; 720/612, 619, 647,

FIG. 6 is a top plan view thereof; and,

720/655; 455/344, 347–351

FIG. 7 is a bottom plan view thereof.

See application file for complete search history.

The broken line showing on the drawing disclosure is for illustrative purposes only and forms no part of the claimed design.

(56) **References Cited**

U.S. PATENT DOCUMENTS

D515,546 S * 2/2006 Mu D14/156

D523,419 S * 6/2006 Joseph D14/214

D527,018 S * 8/2006 Christianson D14/496

D538,787 S * 3/2007 Tsai D14/215

1 Claim, 7 Drawing Sheets

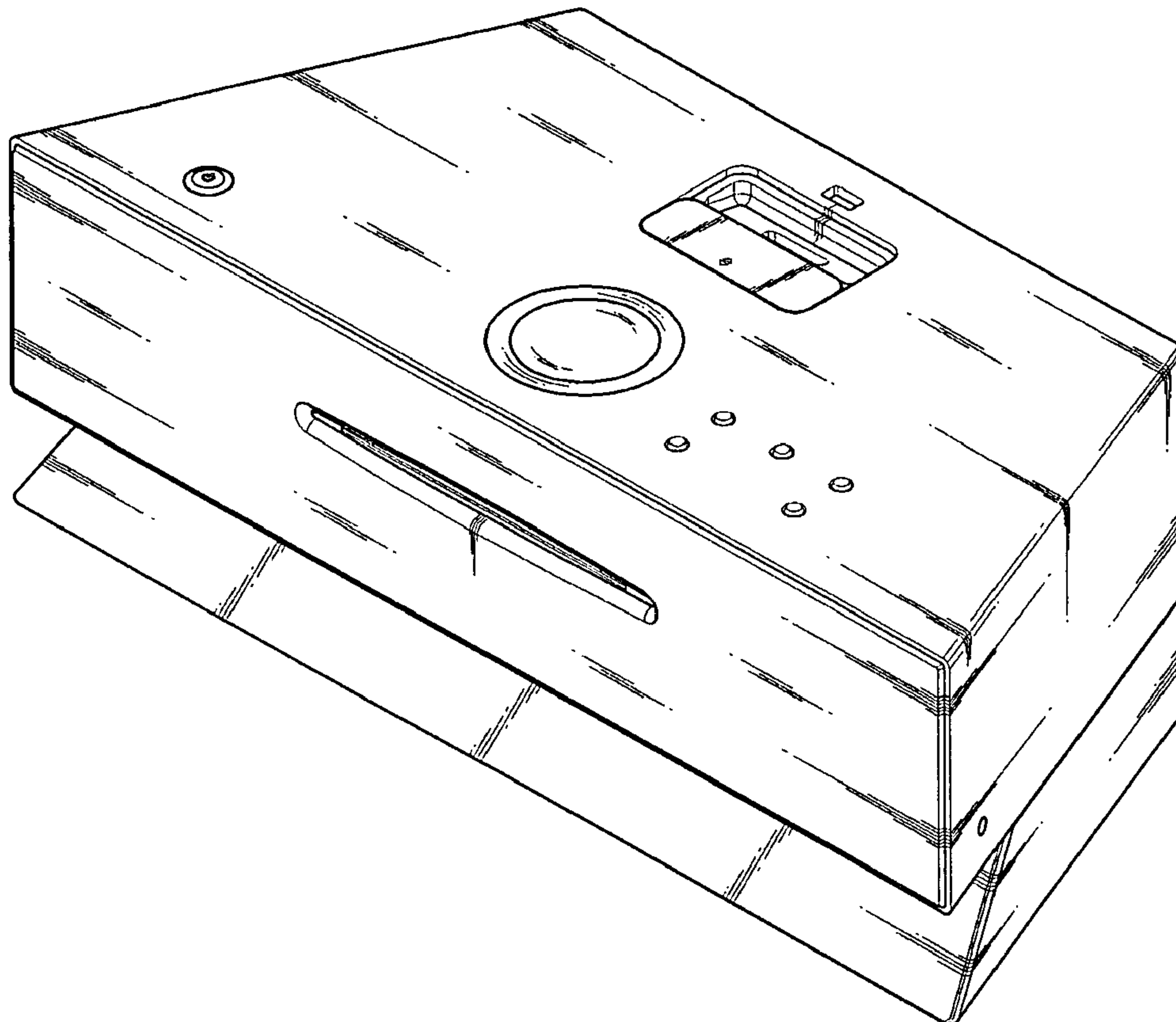


FIG.1

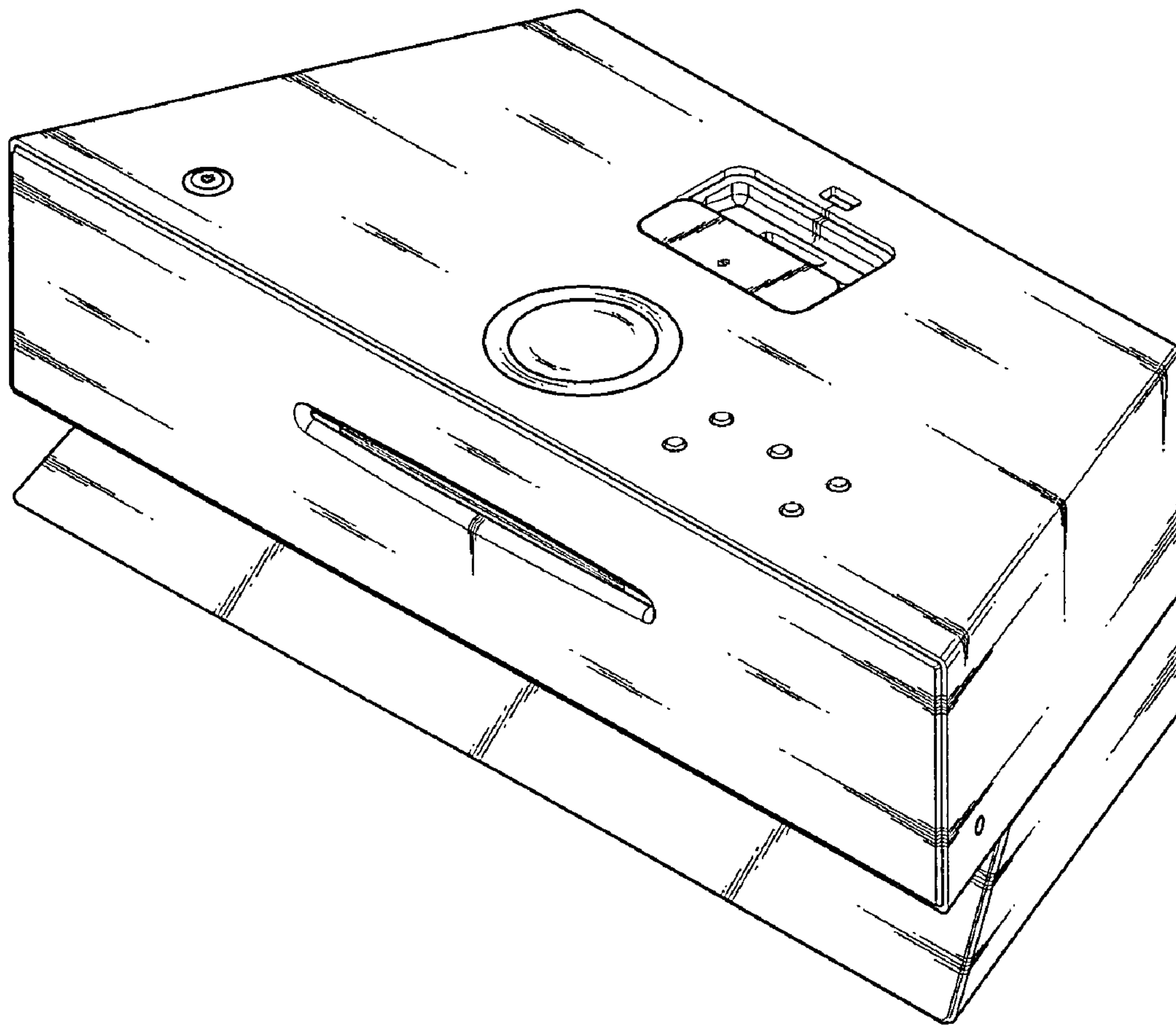


FIG.2

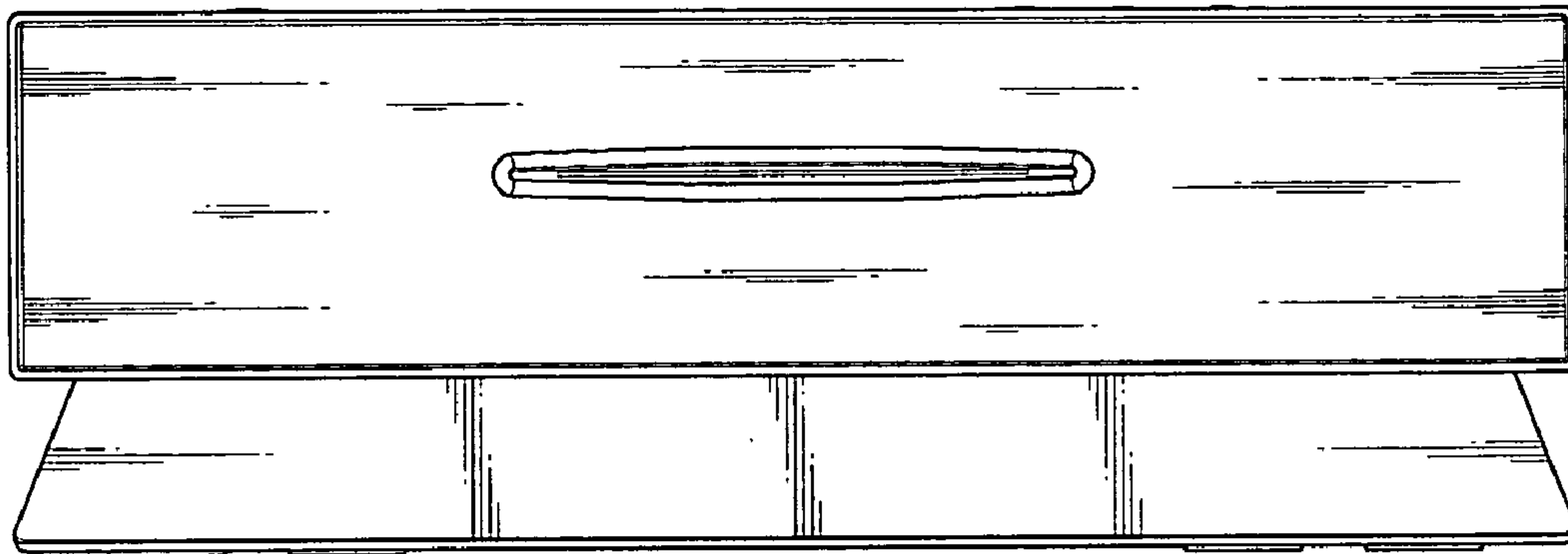


FIG.3

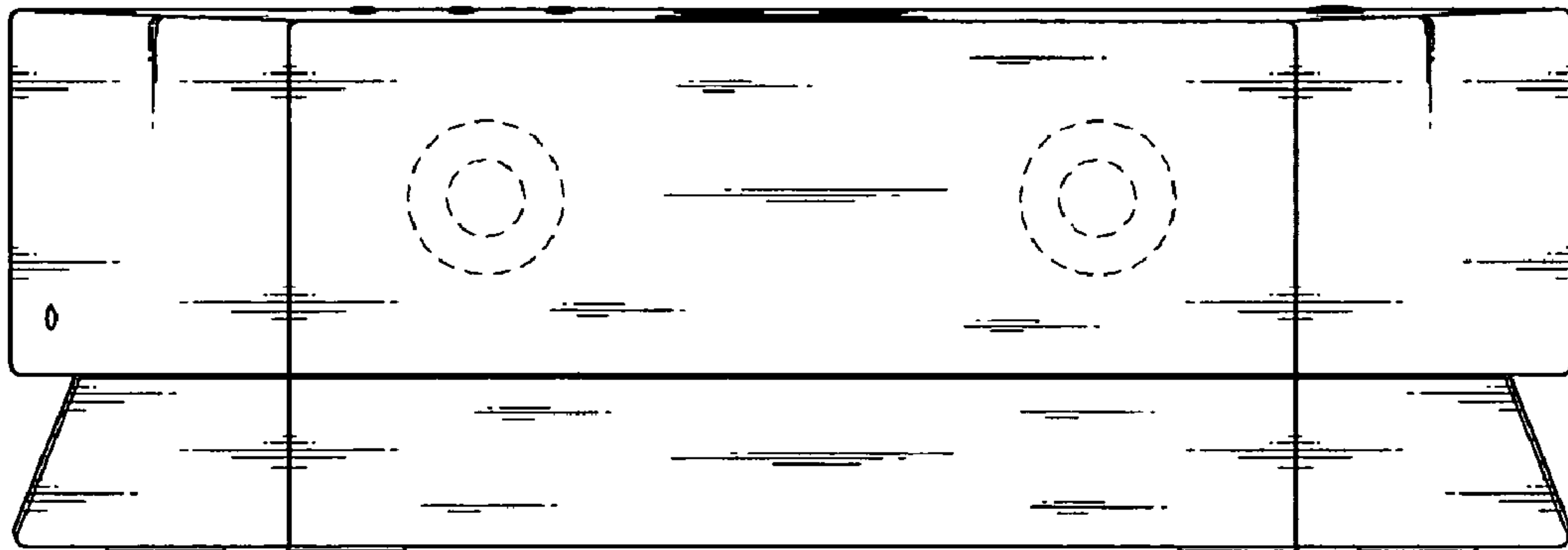


FIG.4

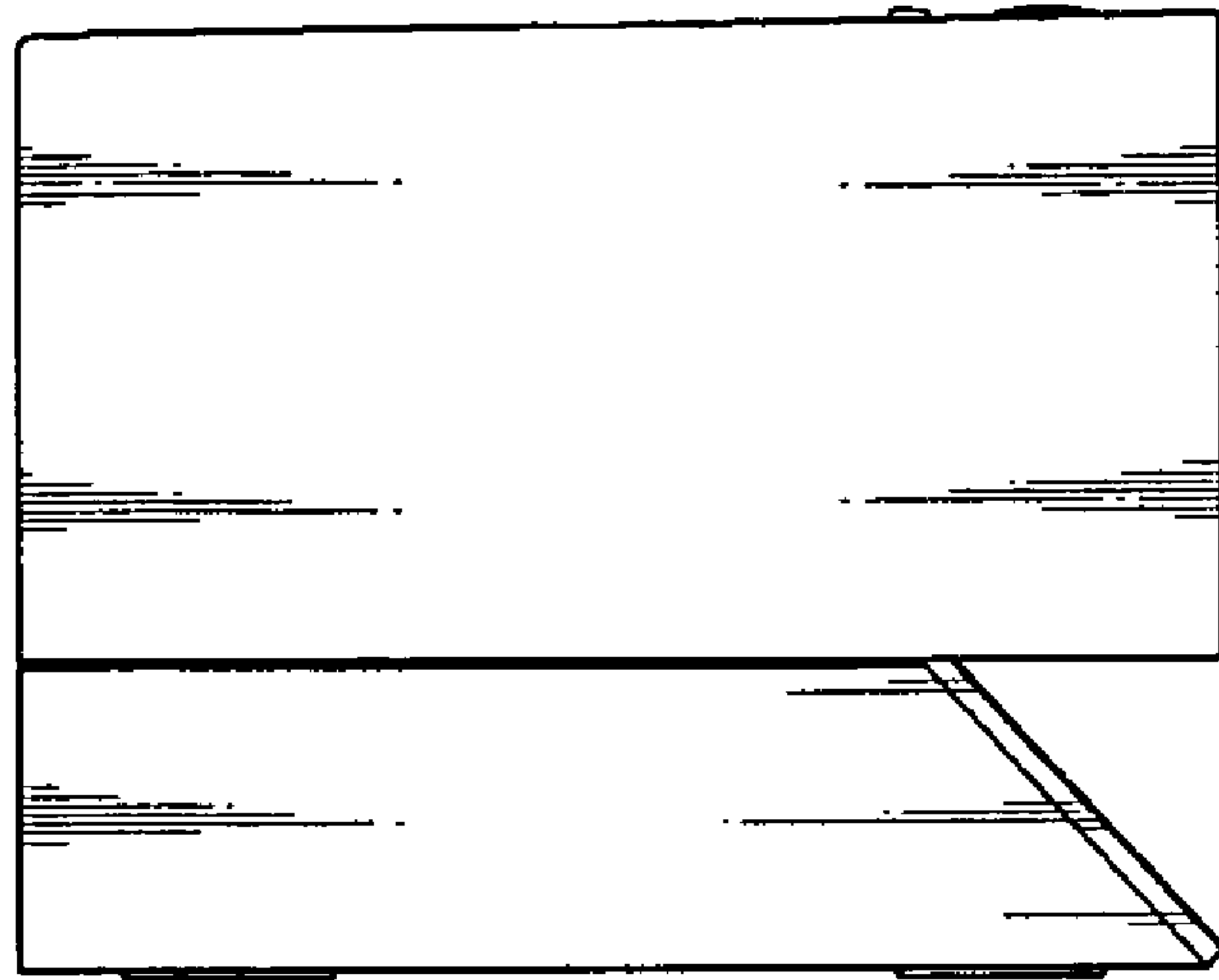


FIG5

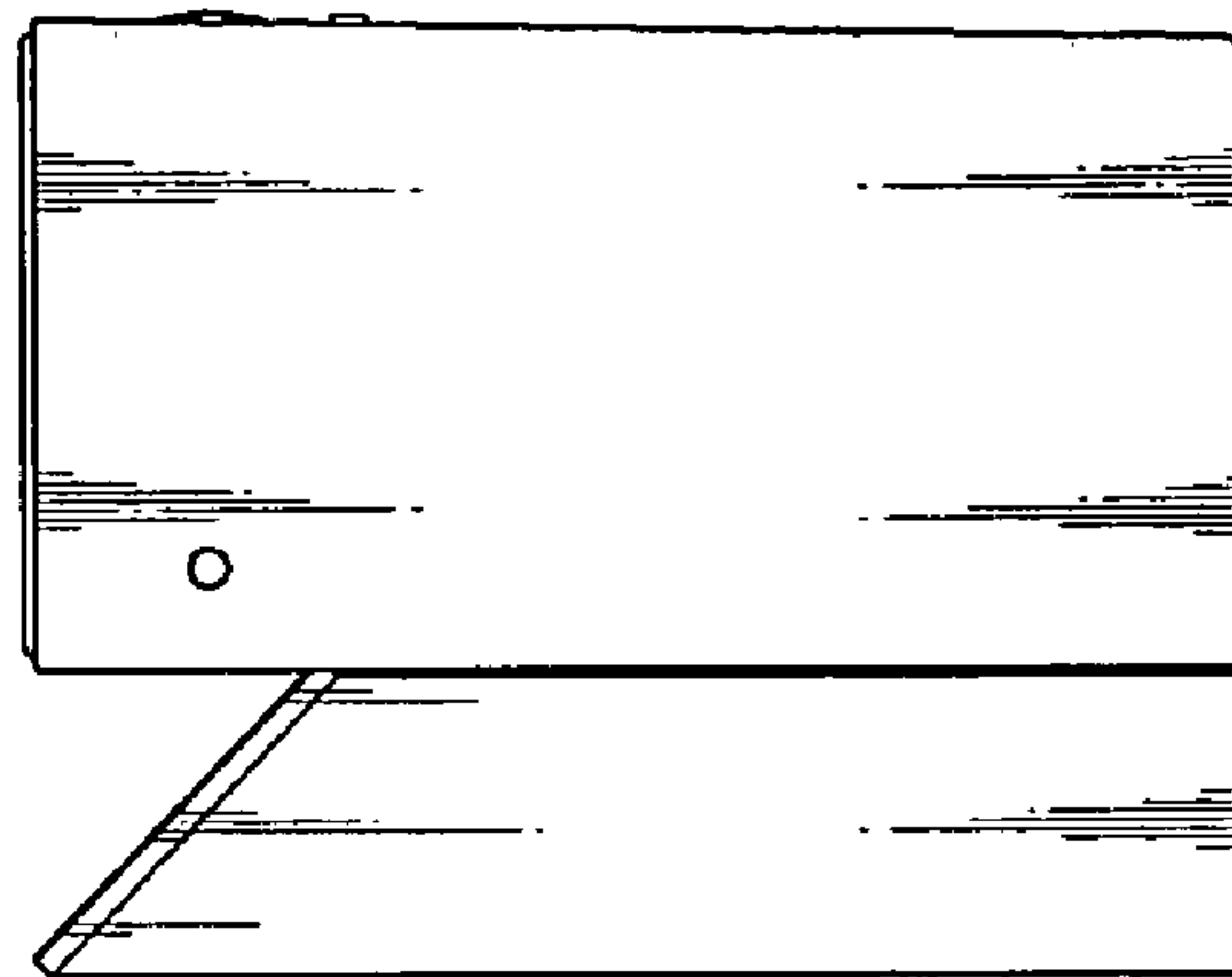


FIG.6

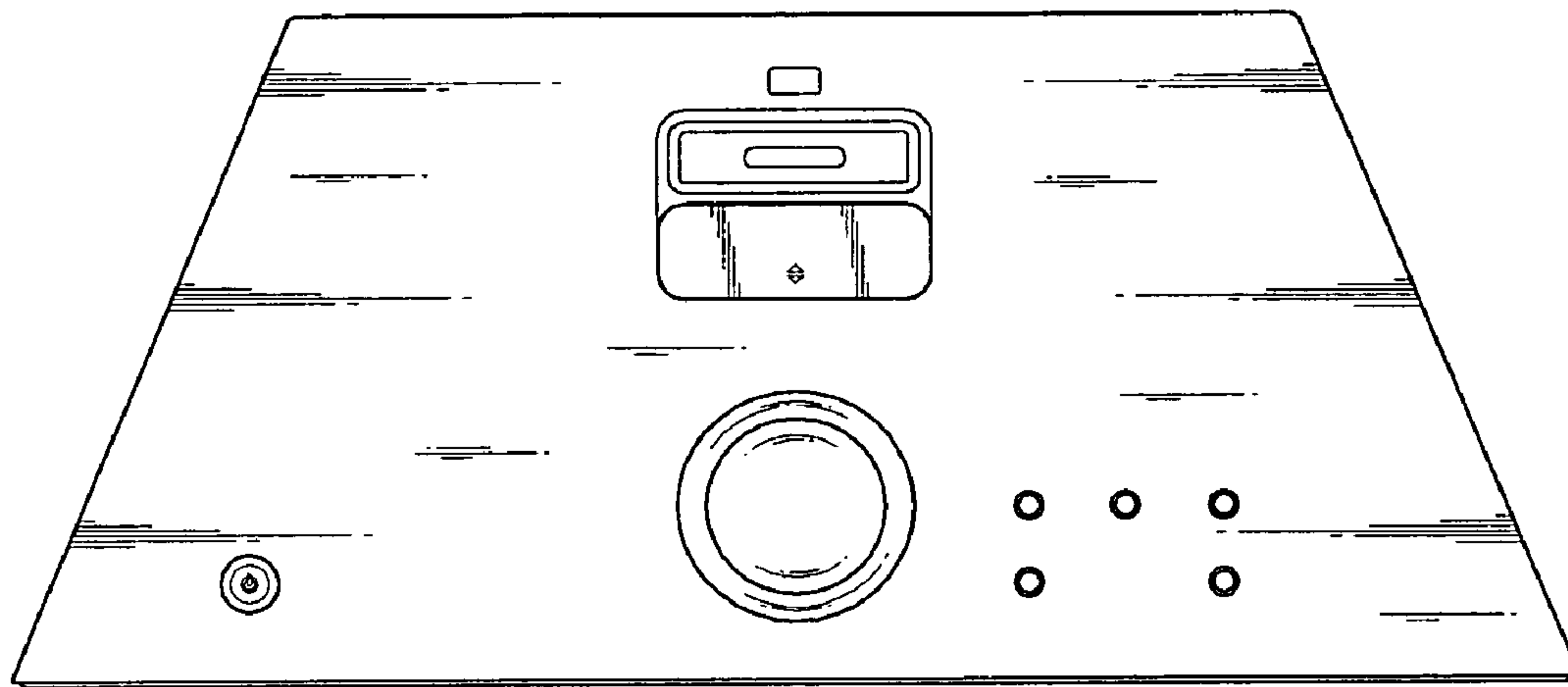


FIG. 7

