

US00D592178S

(12) **United States Design Patent**  
**Naito**

(10) **Patent No.:** **US D592,178 S**

(45) **Date of Patent:** **\*\* May 12, 2009**

(54) **VOICE RECORDING/REPRODUCING  
DEVICE**

D552,039 S \* 10/2007 Liao ..... D13/162  
D558,183 S \* 12/2007 Aoki ..... D14/167  
D575,264 S \* 8/2008 Nakajima ..... D14/167  
D580,908 S \* 11/2008 Nakamura ..... D14/167

(75) Inventor: **Yoshitaka Naito**, Oume (JP)

(73) Assignee: **Olympus Imaging Corp.**, Tokyo (JP)

(\*\*) Term: **14 Years**

(21) Appl. No.: **29/325,553**

(22) Filed: **Oct. 2, 2008**

(51) **LOC (9) Cl.** ..... **14-01**

(52) **U.S. Cl.** ..... **D14/167**

(58) **Field of Classification Search** ..... D14/167,  
D14/154, 168, 188, 496, 156, 160, 161, 162,  
D14/163, 164, 165, 192; D16/208; D26/38;  
455/351, 350

See application file for complete search history.

(56) **References Cited**

**U.S. PATENT DOCUMENTS**

D427,176 S \* 6/2000 Obata ..... D14/167  
D438,857 S \* 3/2001 Ishii ..... D14/161  
D473,535 S \* 4/2003 Ishii ..... D14/167  
D484,482 S \* 12/2003 Tanio ..... D14/167  
D510,334 S \* 10/2005 Isono ..... D14/167  
D517,522 S \* 3/2006 Tajima ..... D14/167  
D533,861 S \* 12/2006 Amano ..... D14/167  
D533,862 S \* 12/2006 Jinde ..... D14/167  
D533,863 S \* 12/2006 Yamaji ..... D14/167

**OTHER PUBLICATIONS**

Olympus Press Release published in Japan on Aug. 6, 2008.

\* cited by examiner

*Primary Examiner*—Cathron C Brooks

*Assistant Examiner*—Austin Murphy

(74) *Attorney, Agent, or Firm*—Frishauf, Holtz, Goodman & Chick, P.C.

(57) **CLAIM**

The ornamental design for a voice recording/reproducing device, as shown.

**DESCRIPTION**

FIG. 1 is a front, top and right side perspective view of a voice recording/reproducing device showing my new design;

FIG. 2 is a front elevational view thereof;

FIG. 3 is a rear elevational view thereof;

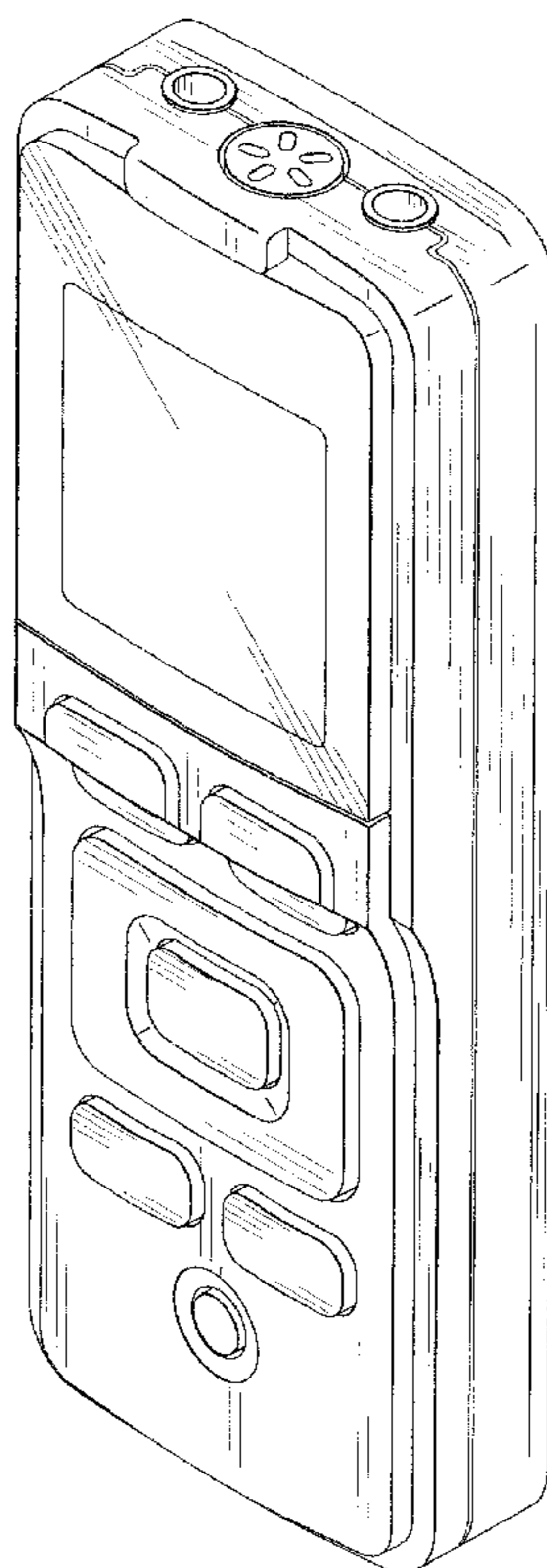
FIG. 4 is a right side elevational view thereof;

FIG. 5 is a left side elevational view thereof.

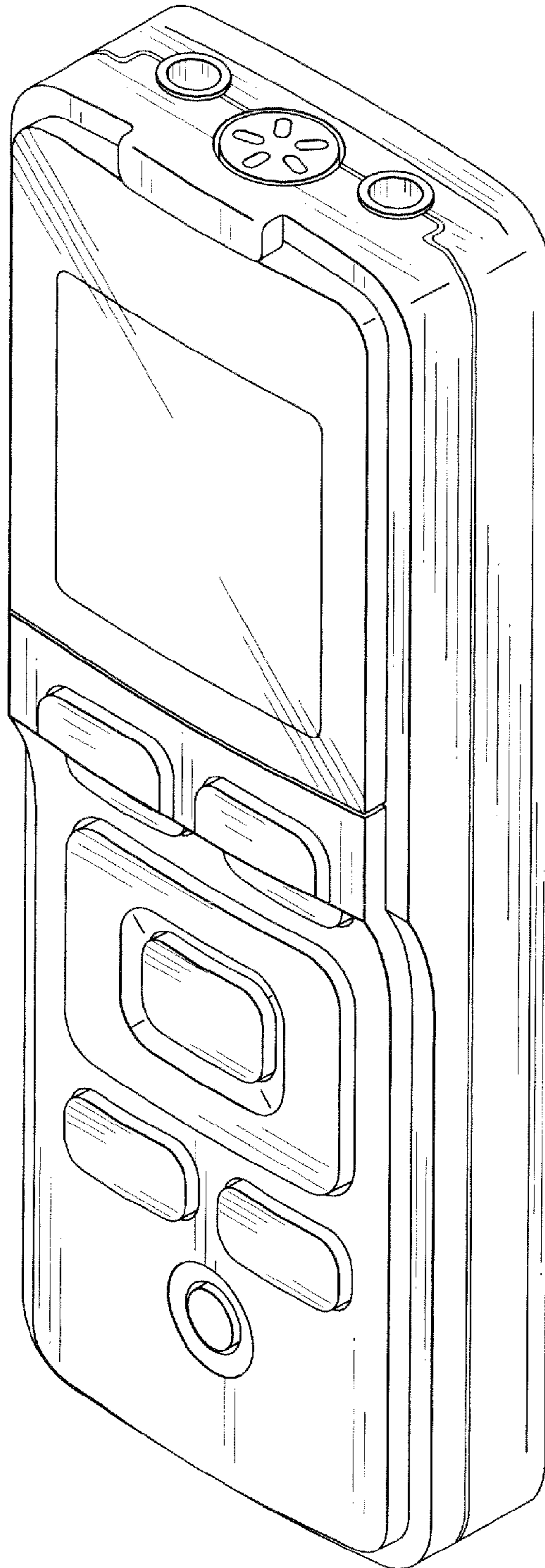
FIG. 6 is a top plan view thereof; and,

FIG. 7 is a bottom plan view thereof.

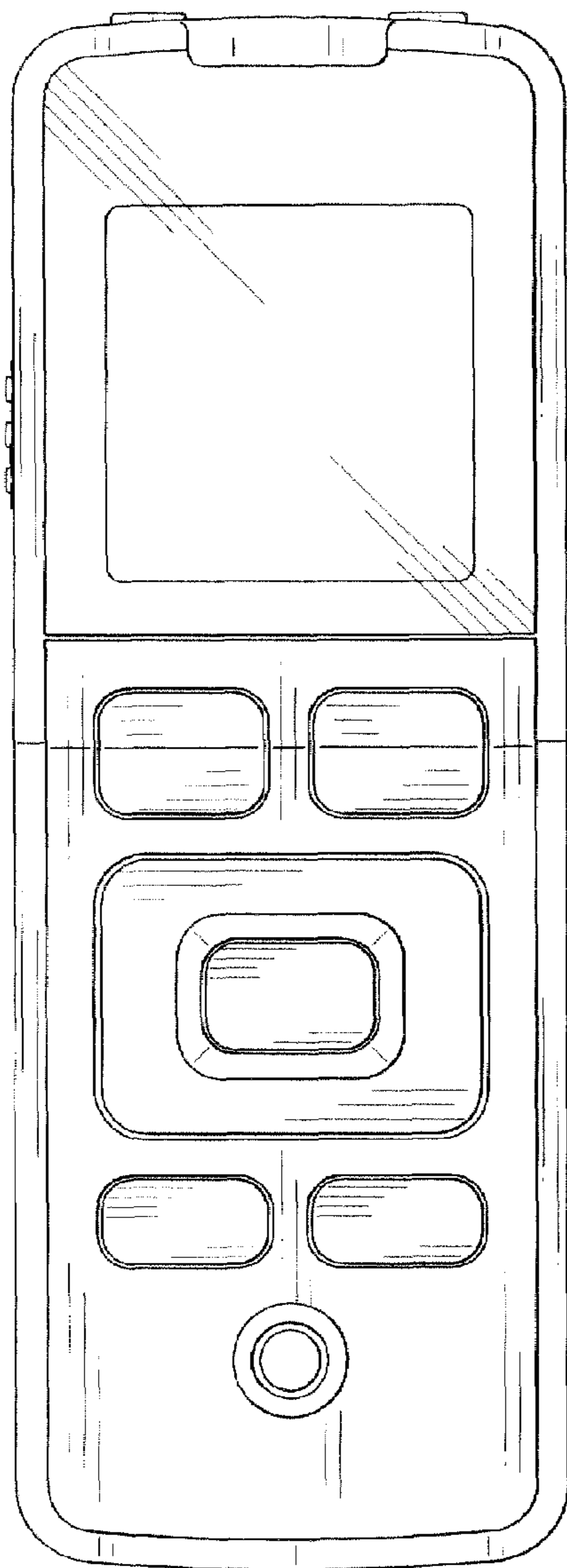
**1 Claim, 4 Drawing Sheets**



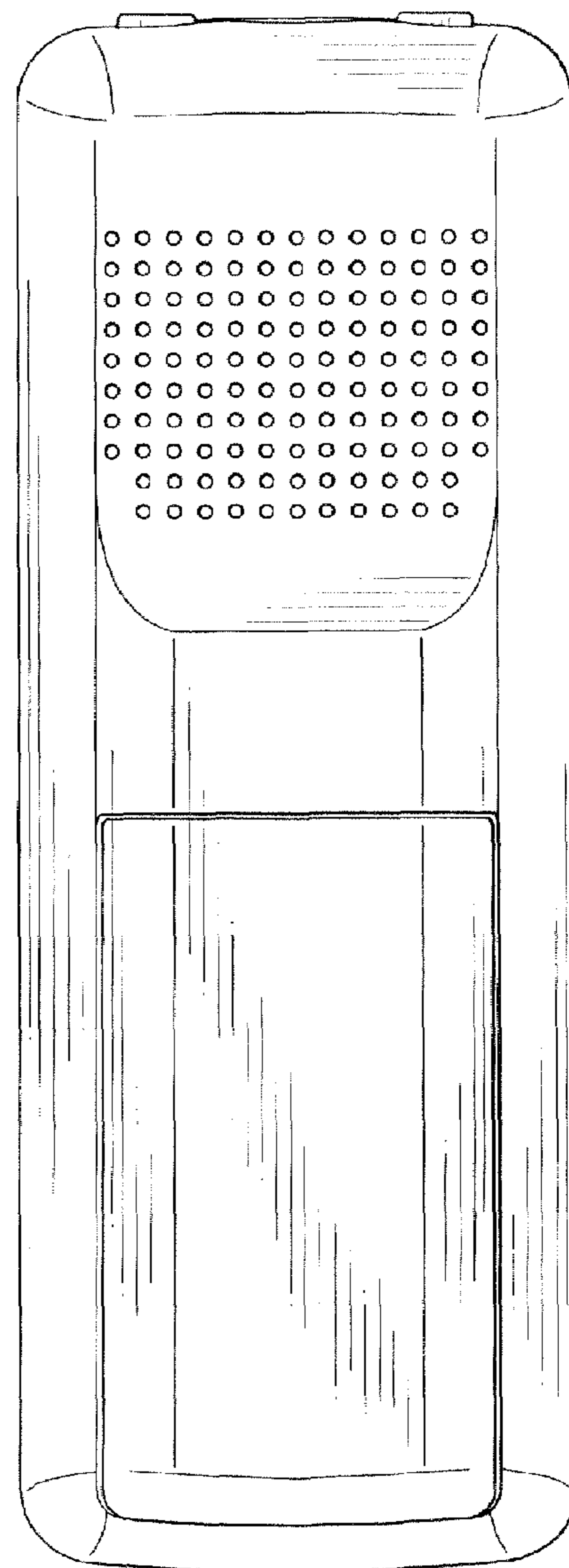
**FIG.1**



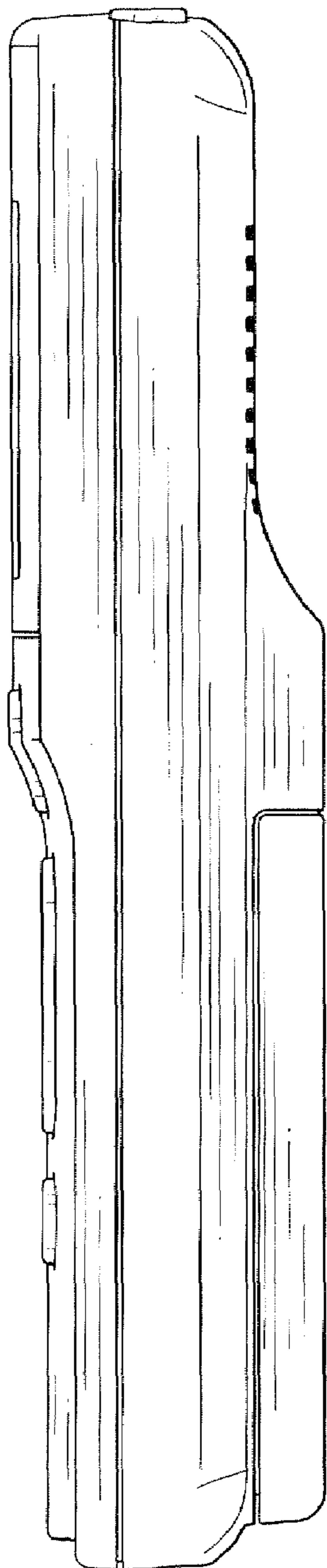
**FIG.2**



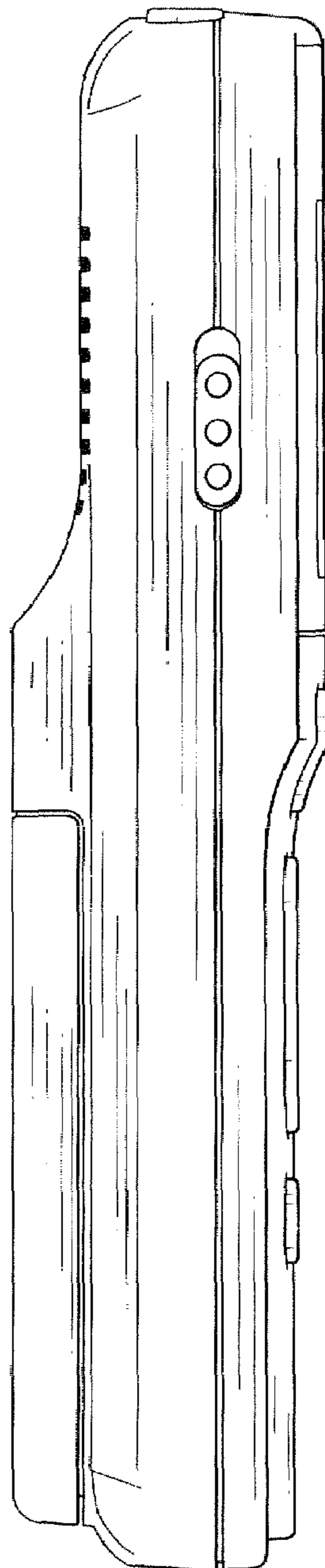
**FIG.3**



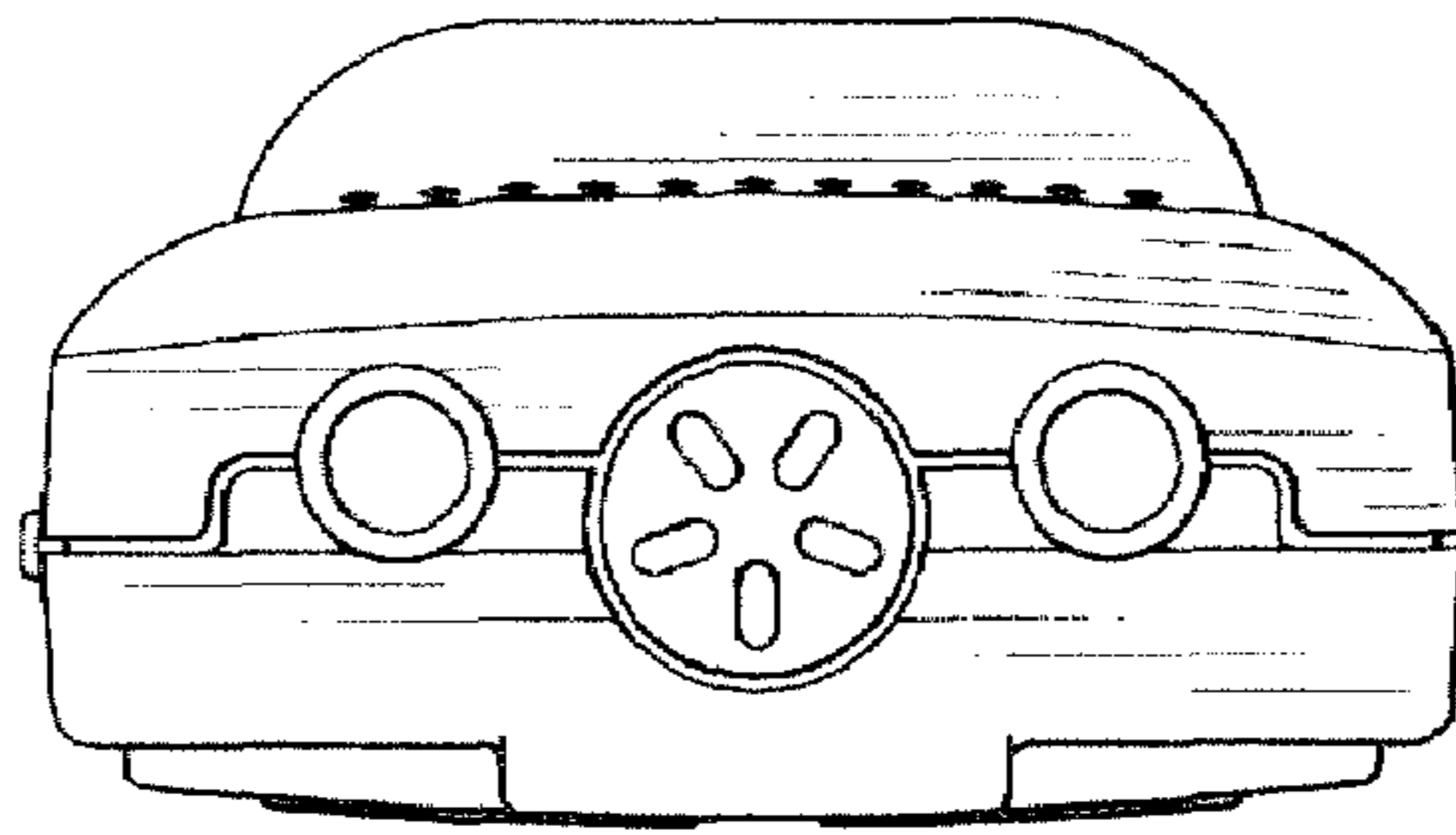
**FIG.4**



**FIG.5**



**FIG.6**



**FIG.7**

