



US00D592176S

(12) **United States Design Patent**  
**Jung et al.**

(10) **Patent No.:** **US D592,176 S**

(45) **Date of Patent:** **\*\* May 12, 2009**

(54) **HANDS-FREE TELEPHONE DEVICE**

(76) Inventors: **Dietmar Jung**, Grüner Weg 16b, Köln  
(DE) 51107; **Edgar Venhofen**,  
Gohfelder Poststrasse 24, Bad  
Oeynhausien (DE) 32549

(\*\*) Term: **14 Years**

(21) Appl. No.: **29/283,727**

(22) Filed: **Aug. 22, 2007**

(30) **Foreign Application Priority Data**

Feb. 23, 2007 (EM) ..... 000677018

(51) **LOC (9) Cl.** ..... **14-03**

(52) **U.S. Cl.** ..... **D14/149**

(58) **Field of Classification Search** ..... D14/140,  
D14/140.2, 140.4, 149, 155, 226, 229, 232,  
D14/238; 381/361, 365; 379/420.01, 420.04,  
379/441, 446, 454; 455/569.2, 99, 95, 345,  
455/91.1-90.3, 556.1, 575.1, 575.9

See application file for complete search history.

(56) **References Cited**

**U.S. PATENT DOCUMENTS**

4,455,454 A \* 6/1984 Umebayashi ..... 455/556.1  
4,847,887 A \* 7/1989 Suzuki et al. .... 455/569.2  
4,905,270 A \* 2/1990 Ono ..... 455/569.2  
5,649,317 A \* 7/1997 Suzuki ..... 455/345  
6,131,042 A \* 10/2000 Lee et al. .... 455/556.1

6,983,170 B2 \* 1/2006 Stulberger ..... 455/556.1  
7,266,204 B2 \* 9/2007 Watson et al. .... 381/86  
2002/0068542 A1 \* 6/2002 Copley ..... 455/345  
2002/0068605 A1 \* 6/2002 Stanley ..... 455/556  
2003/0013504 A1 \* 1/2003 Park et al. .... 455/569  
2008/0200217 A1 \* 8/2008 Venhofen et al. .... 455/569.2

\* cited by examiner

*Primary Examiner*—Ian Simmons

*Assistant Examiner*—Wan Laymon

(74) *Attorney, Agent, or Firm*—Rankin, Hill & Clark LLP

(57) **CLAIM**

The ornamental design for a hands-free telephone device, as shown and described.

**DESCRIPTION**

FIG. 1 is a front perspective view taken from the right side of a hands-free telephone device showing our new design;

FIG. 2 is a bottom view thereof;

FIG. 3 is a front view thereof;

FIG. 4 is a left side view thereof;

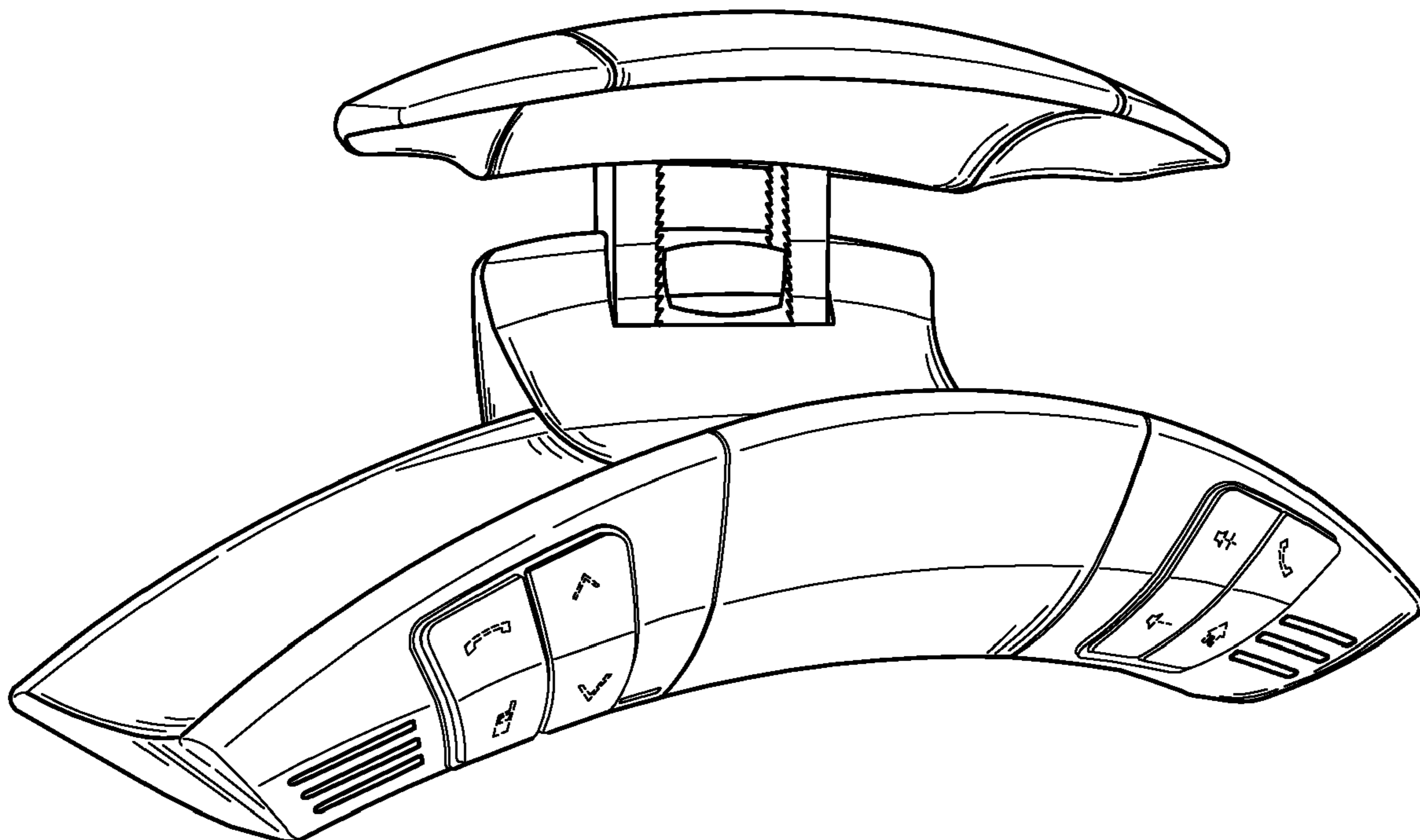
FIG. 5 is a right side view thereof;

FIG. 6 is a rear view thereof; and,

FIG. 7 is a top view thereof.

The broken lines represent the logo structure of the hands-free telephone device, which forms no part of the claimed design.

**1 Claim, 7 Drawing Sheets**



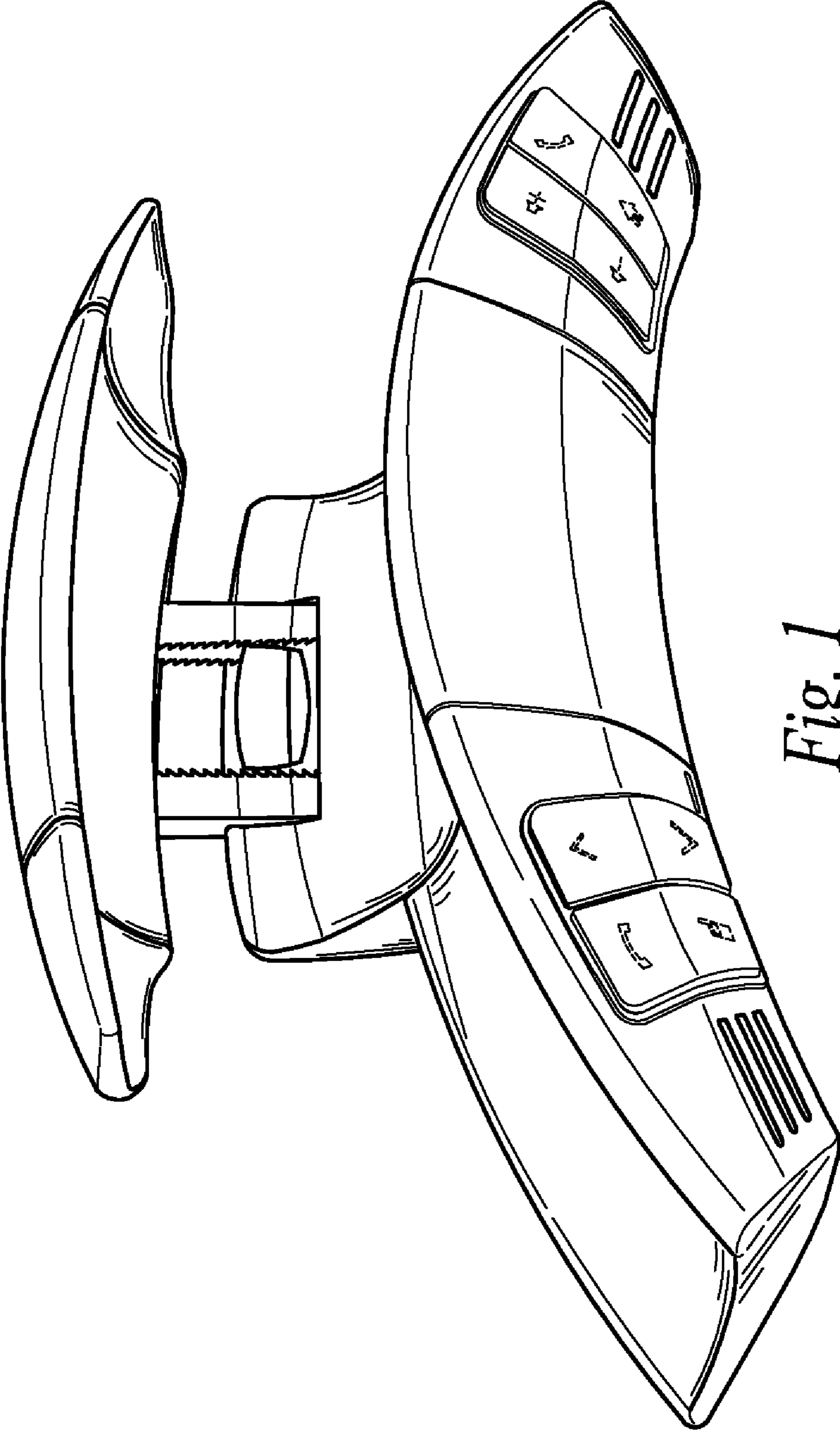
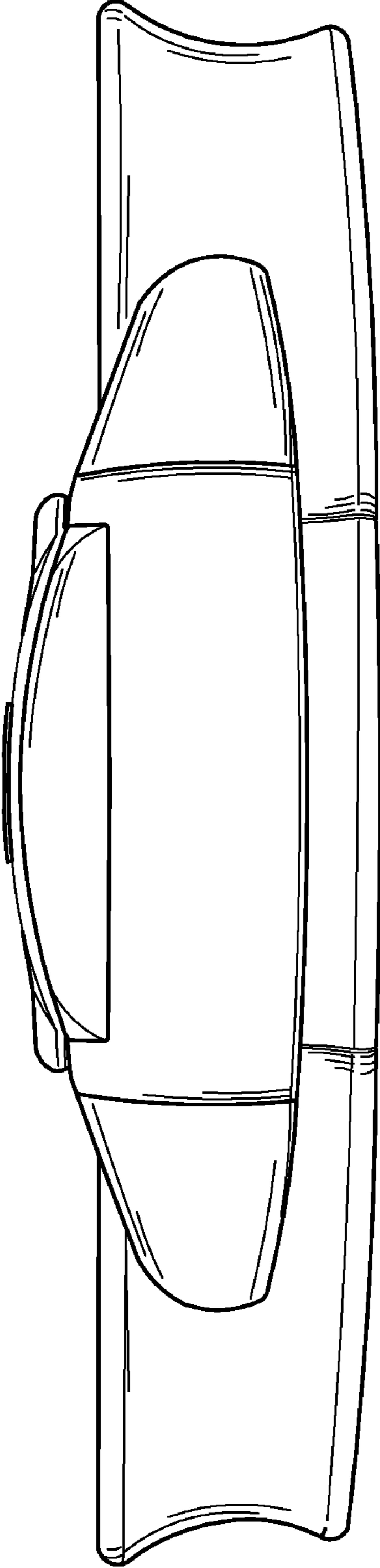


Fig. 1



*Fig. 2*

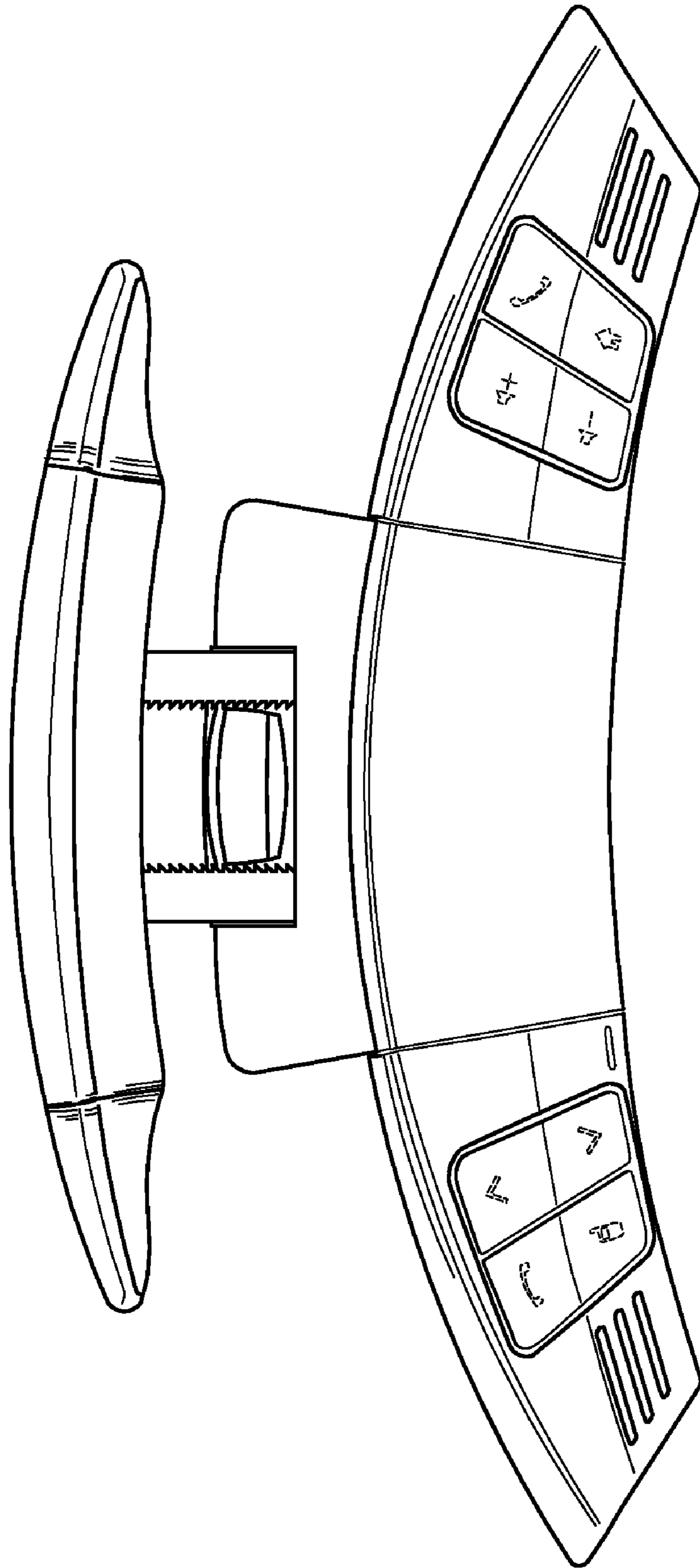
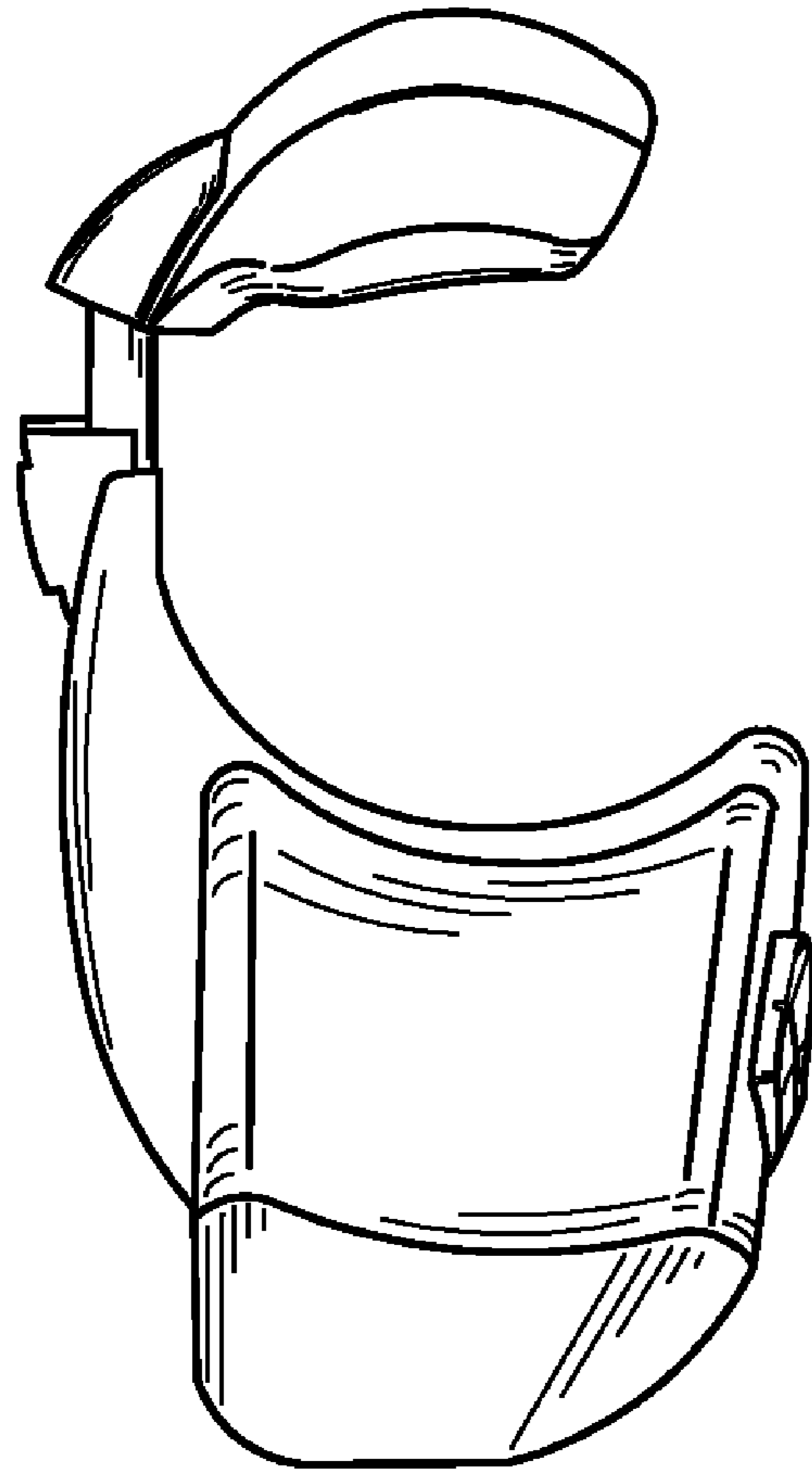
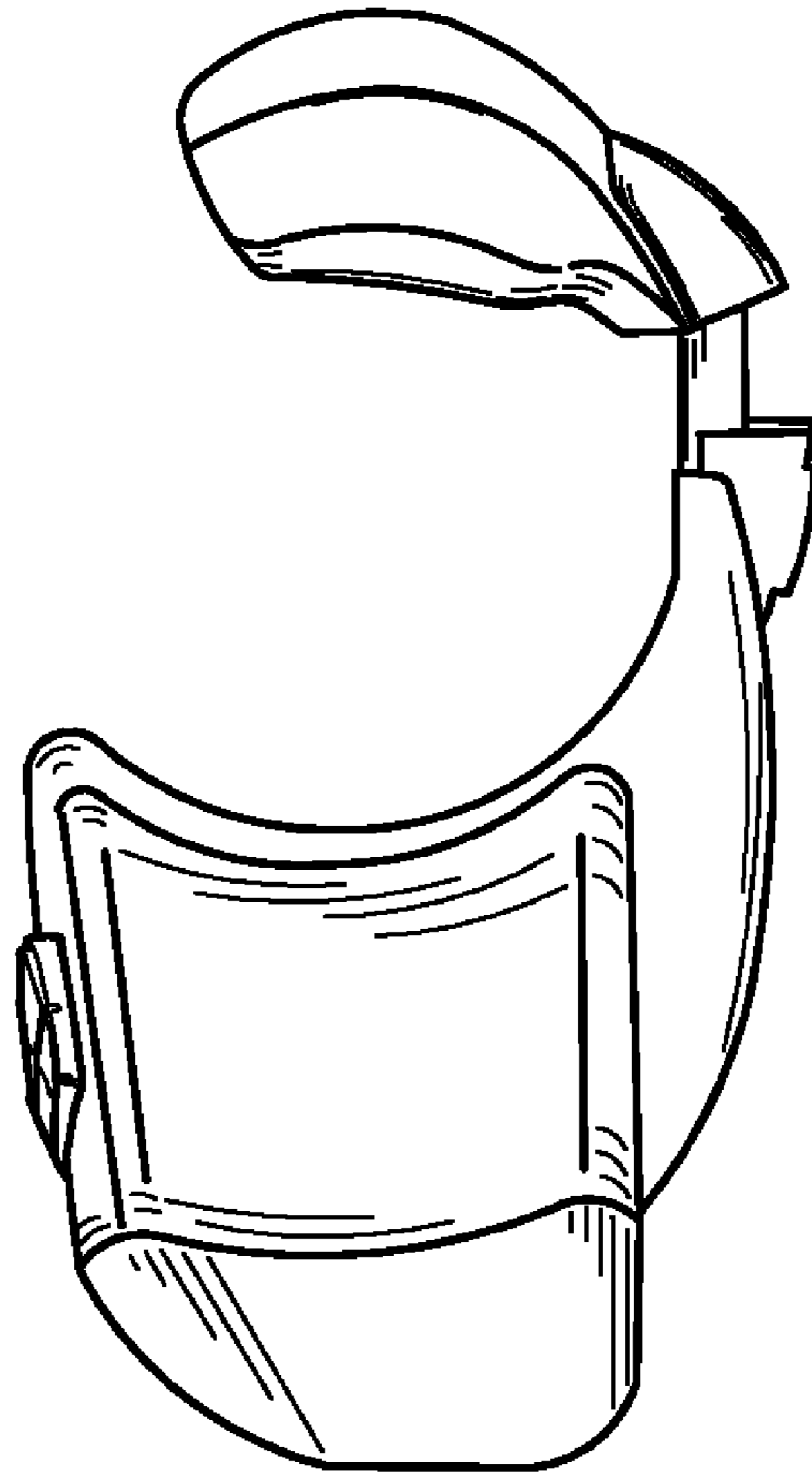


Fig. 3



*Fig. 4*



*Fig. 5*

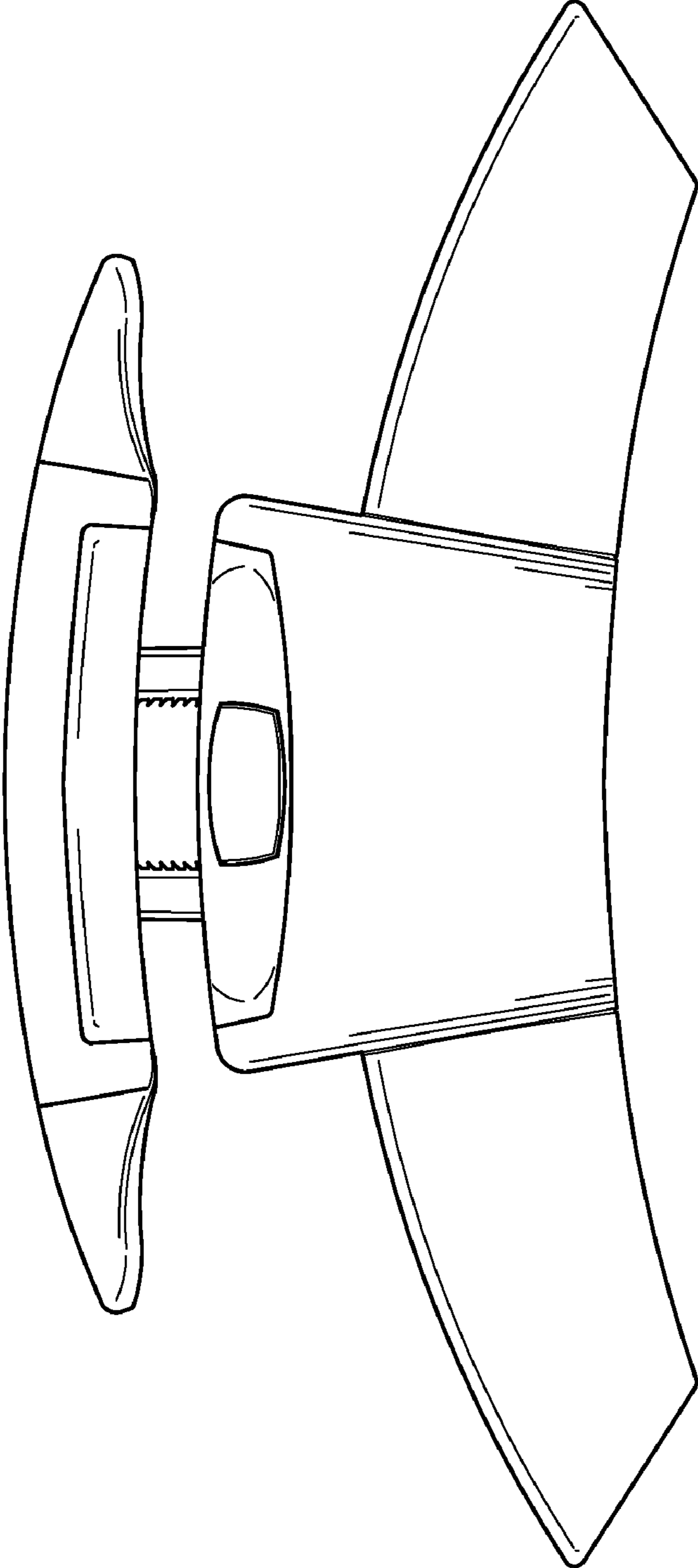


Fig. 6

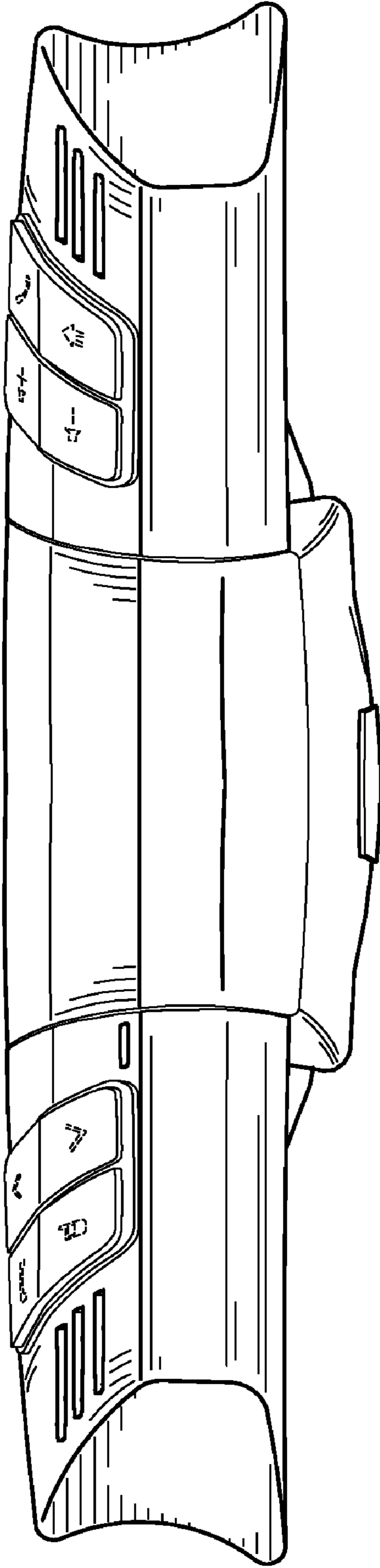


Fig. 7