

US00D592170S

(12) **United States Design Patent**
Kim et al.

(10) **Patent No.:** **US D592,170 S**

(45) **Date of Patent:** **** May 12, 2009**

(54) **PORTABLE PHONE**

(75) Inventors: **Sung-Kwon Kim**, Seoul (KR);
Seung-Min Park, Seoul (KR);
Chang-Hwan Hwang, Goyang-Si (KR)

(73) Assignee: **Samsung Electronics Co., Ltd.**,
Suwon-Si (KR)

(**) Term: **14 Years**

(21) Appl. No.: **29/322,253**

(22) Filed: **Jul. 31, 2008**

(30) **Foreign Application Priority Data**

May 23, 2008 (KR) 30-2008-0021888

(51) **LOC (9) Cl.** **14-03**

(52) **U.S. Cl.** **D14/138 AD**

(58) **Field of Classification Search** D14/137,
D14/138 R, 138 AA, 138 AB, 138 AC, 138 AD,
D14/138 C, 138 G, 147, 191, 203.1–203.8,
D14/218, 247–248, 341–347, 432, 439, 455–456,
D14/496; D10/65, 78, 104; D13/168; D18/7;
455/556.1, 566, 575.1, 575.3; 345/169
See application file for complete search history.

(56) **References Cited**

U.S. PATENT DOCUMENTS

D503,164 S * 3/2005 Park et al. D14/138 AD
D525,610 S * 7/2006 Kim et al. D14/138 AD
7,089,040 B2 * 8/2006 Iwabuchi et al. 455/566
D532,425 S * 11/2006 Kim D14/203.7
D534,516 S * 1/2007 Lheem D14/138 AD
D536,691 S * 2/2007 Park D14/138 AD
D541,812 S * 5/2007 Wang D14/496
D548,715 S * 8/2007 Lee et al. D14/138 AD
D552,580 S * 10/2007 Mun D14/138 AD
D553,599 S * 10/2007 Lee et al. D14/138 AC
D560,193 S * 1/2008 Sung et al. D14/138 AD
D563,929 S * 3/2008 Park D14/138 AD
D567,792 S * 4/2008 Park et al. D14/138 AD
D568,286 S * 5/2008 Suk et al. D14/138 G

D576,989 S * 9/2008 Lee et al. D14/138 AD
D578,986 S * 10/2008 Kim et al. D14/138 R
D579,897 S * 11/2008 Kim et al. D14/138 R
D579,900 S * 11/2008 Jeoung et al. D14/138 R
D580,391 S * 11/2008 Kim et al. D14/138 R
D581,387 S * 11/2008 Harju et al. D14/138 R
D584,273 S * 1/2009 Hong et al. D14/138 R
D585,044 S * 1/2009 Seo et al. D14/138 R
2007/0232370 A1 * 10/2007 Kim 455/575.4
2008/0030475 A1 * 2/2008 Shin 345/169
2008/0113695 A1 * 5/2008 Jung 455/575.1
2008/0287167 A1 * 11/2008 Caine 455/575.1

OTHER PUBLICATIONS

Alcatel OT-C825, announced Feb. 2007, [online], [retrieved on Feb. 16, 2007]. Retrieved from Internet ,<URL: http://www.gsmarena.com>.*

(Continued)

Primary Examiner—Jeffrey D Asch
Assistant Examiner—Bridget L Eland
(74) *Attorney, Agent, or Firm*—Staas & Halsey LLP

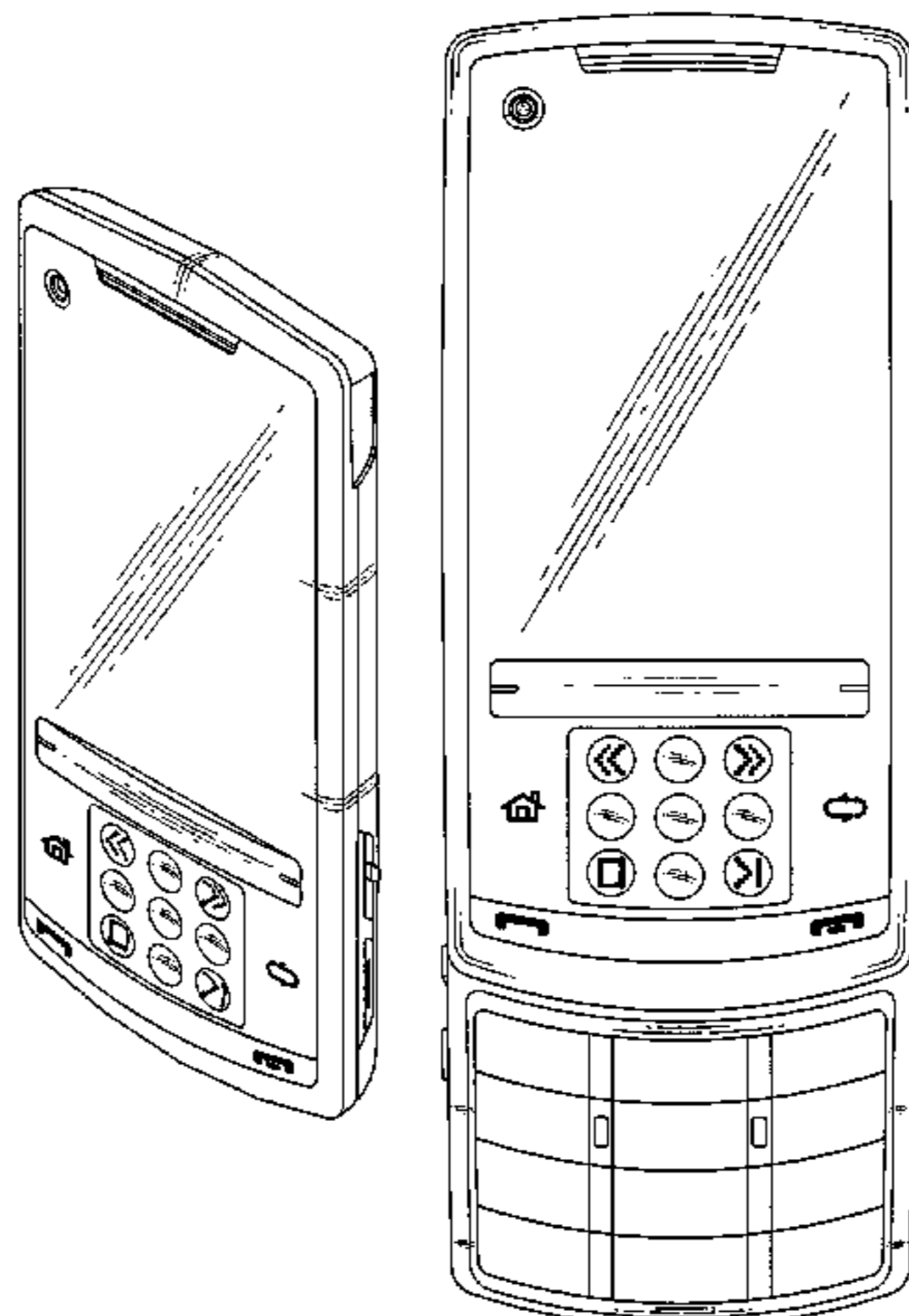
(57) **CLAIM**

The ornamental design for a portable phone, as shown and described.

DESCRIPTION

FIG. 1 is a perspective view of a portable phone;
FIG. 2 is a front view of the portable phone of FIG. 1;
FIG. 3 is a rear view of the portable phone of FIG. 1;
FIG. 4 is a left-side view of the portable phone of FIG. 1;
FIG. 5 is a right-side view of the portable phone of FIG. 1;
FIG. 6 is a top plan view of the portable phone of FIG. 1;
FIG. 7 is a bottom plan view of the portable phone of FIG. 1;
FIG. 8 is a front open view of the portable phone of FIG. 1;
FIG. 9 is a right side open view of the portable phone of FIG. 1; and,
FIG. 10 is a rear open view of the portable phone of FIG. 1.

1 Claim, 7 Drawing Sheets



OTHER PUBLICATIONS

LG KF510, announced Feb. 2008, [online], [retrieved on Mar. 21, 2008]. Retrieved from Internet ,<URL: <http://www.gsmarena.com>>.*

LG KF750 Secret, announced Apr. 2008, [online], [retrieved on May 14, 2008]. Retrieved from Internet ,<URL: <http://www.gsmarena.com>>.*

LG KS360, announced Jul. 2008, [online], [retrieved on Jul. 25, 2008]. Retrieved from Internet ,<URL: <http://www.gsmarena.com>>.*

Samsung U900 Soul, announced Feb. 2008, [online], [retrieved on Mar. 21, 2008]. Retrieved from Internet ,<URL: <http://www.gsmarena.com>>.*

* cited by examiner

FIG. 1

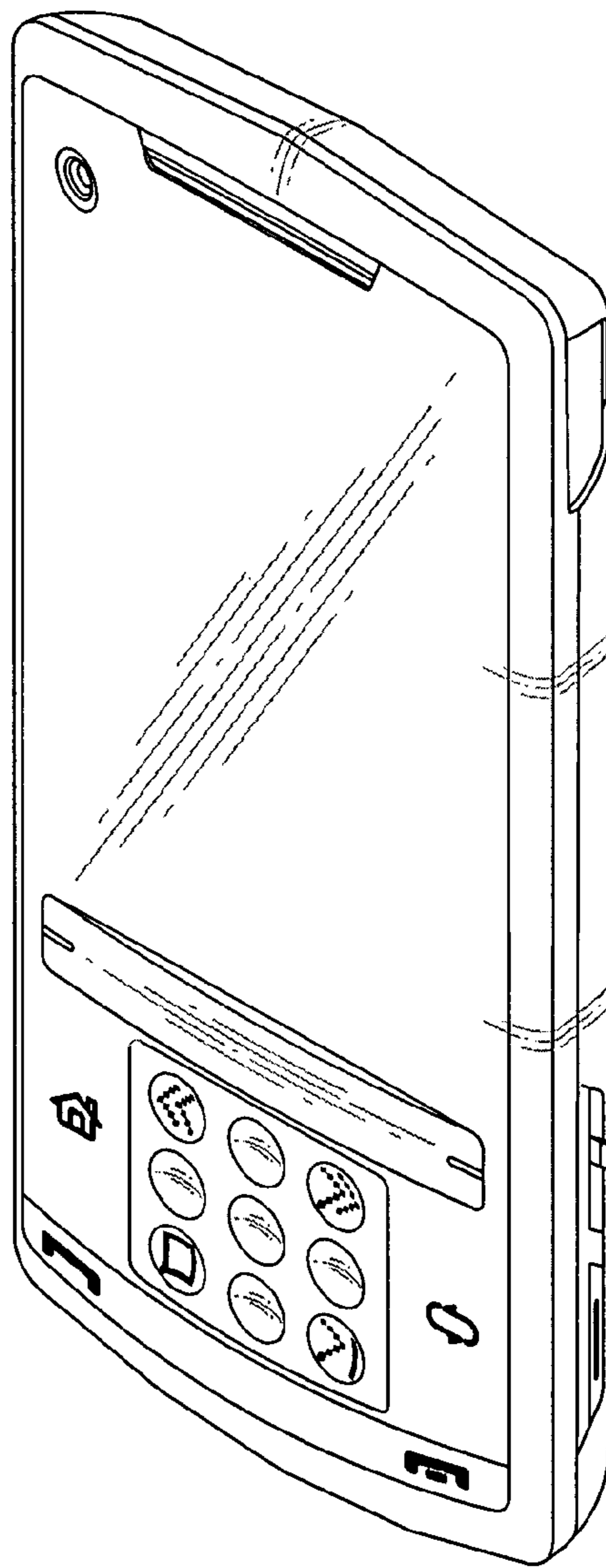


FIG. 2

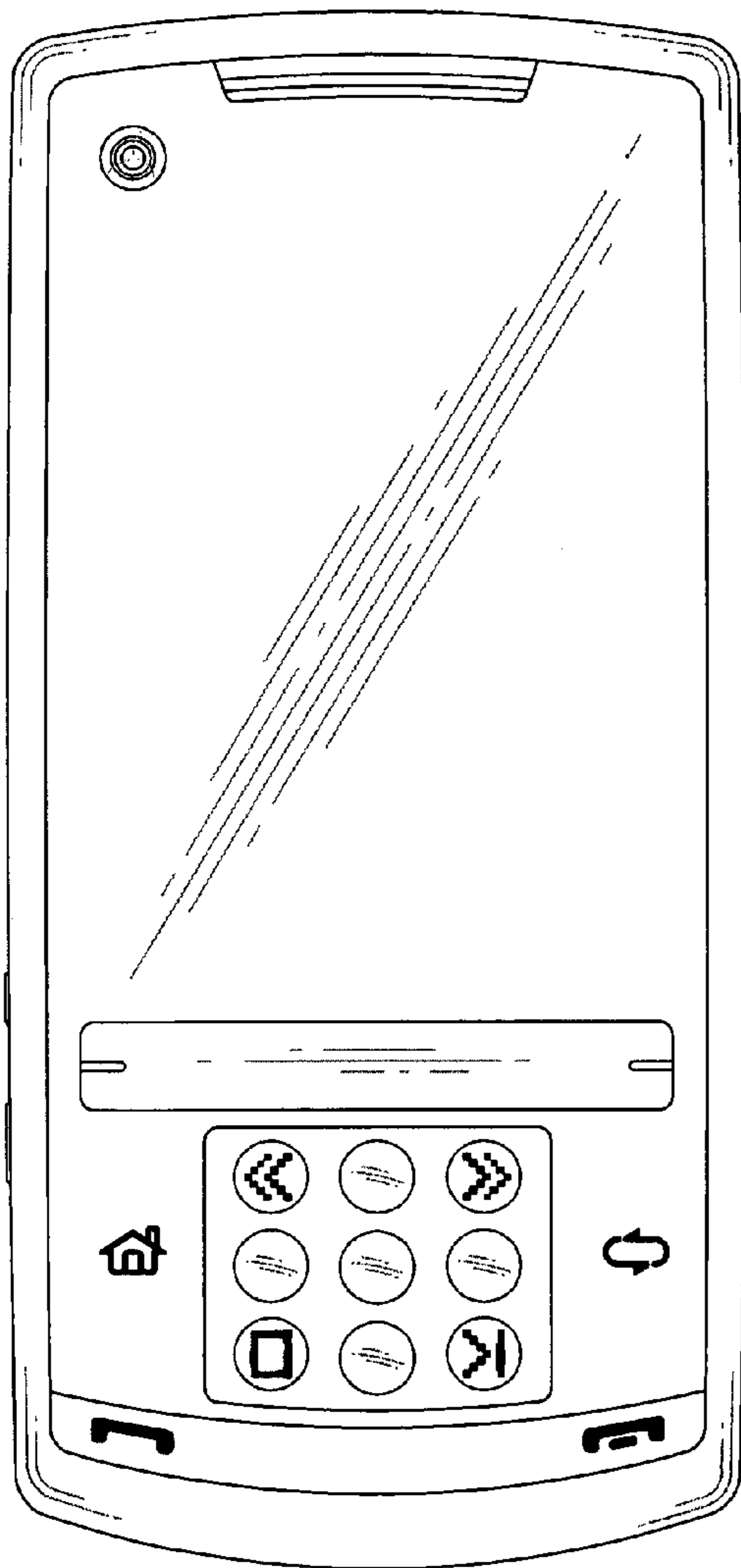


FIG. 3

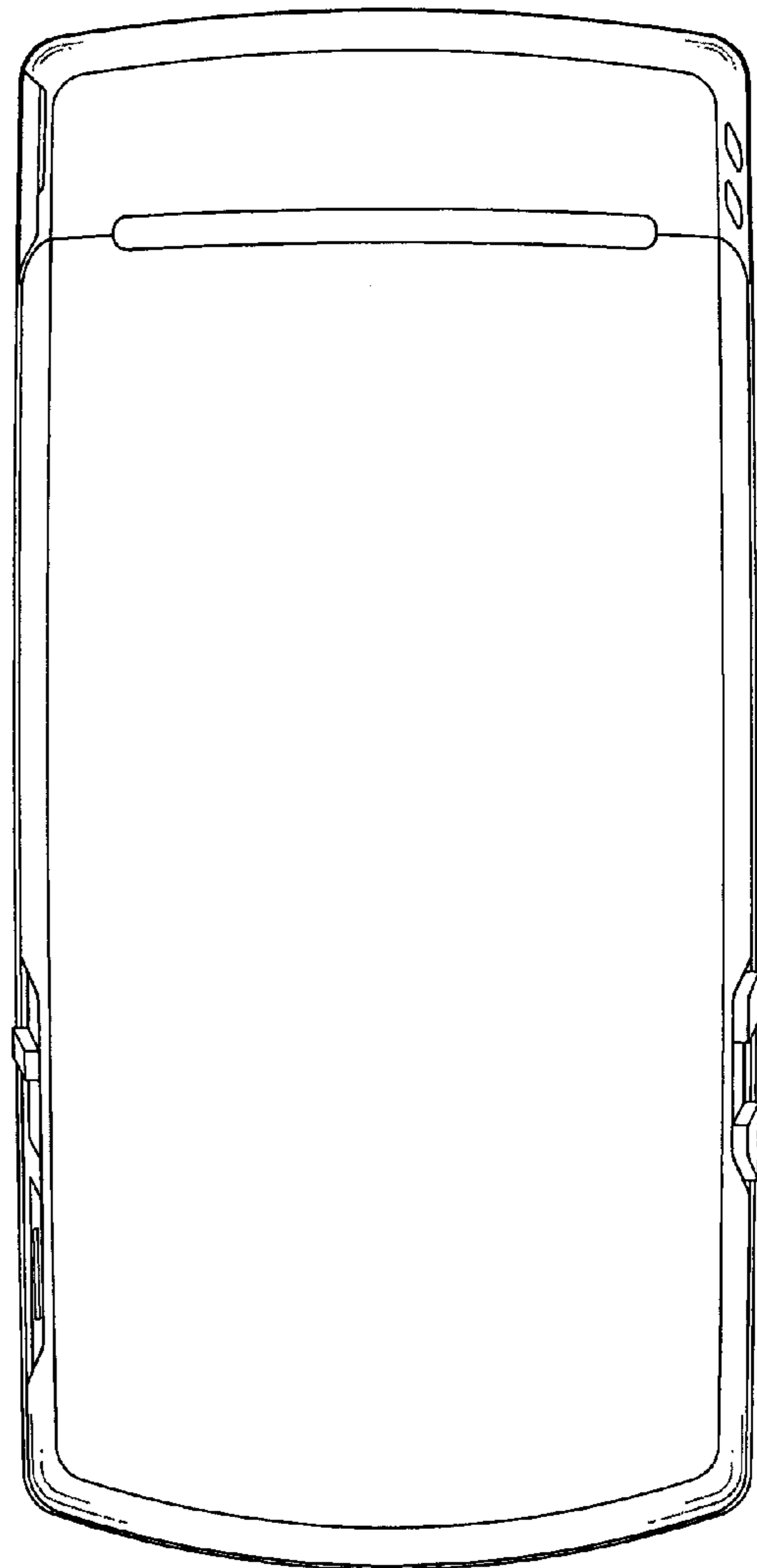


FIG. 4

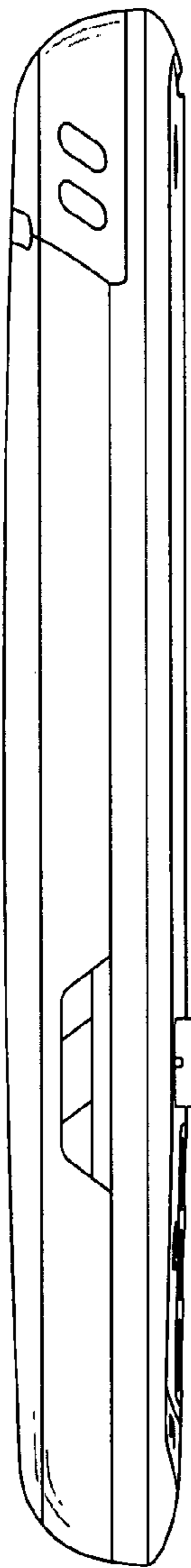


FIG. 5

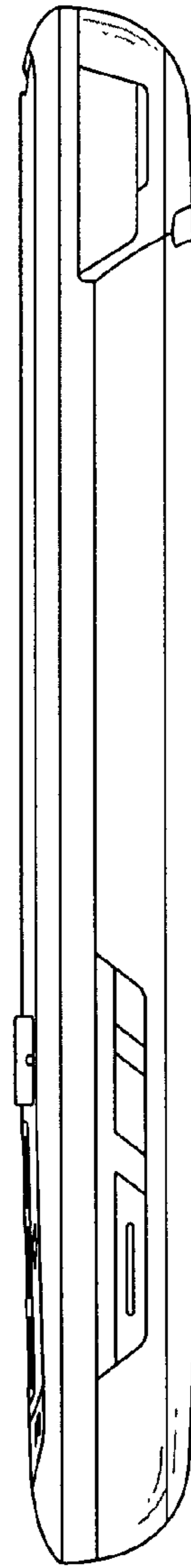


FIG. 6

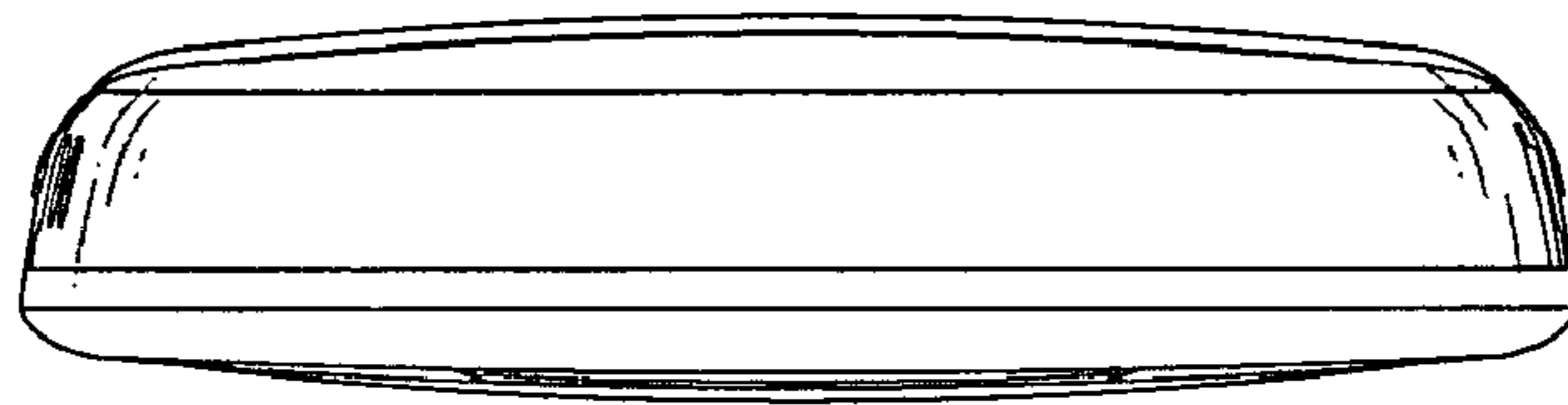


FIG. 7

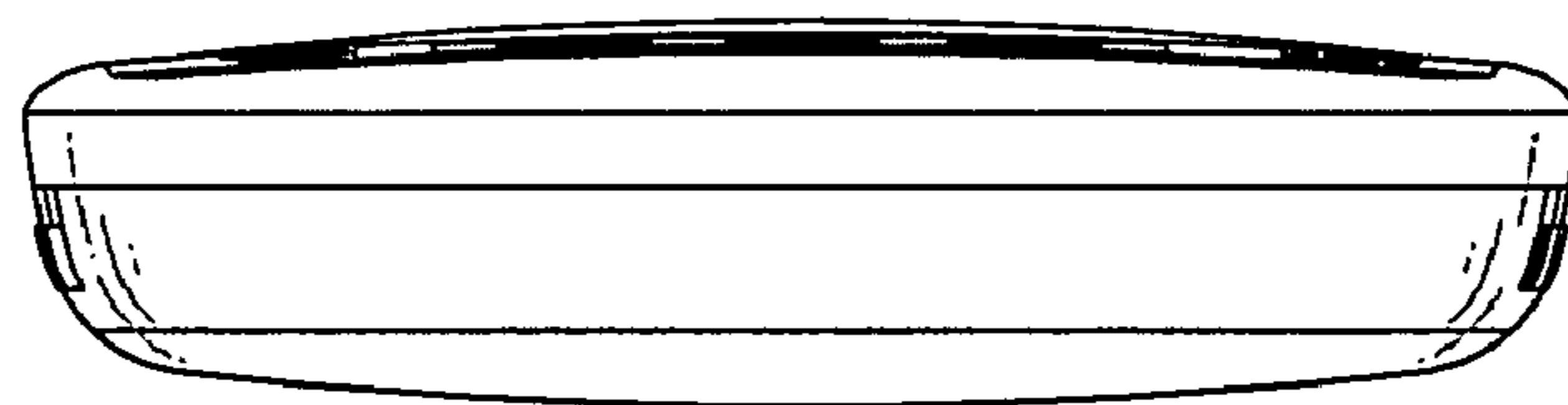


FIG. 8

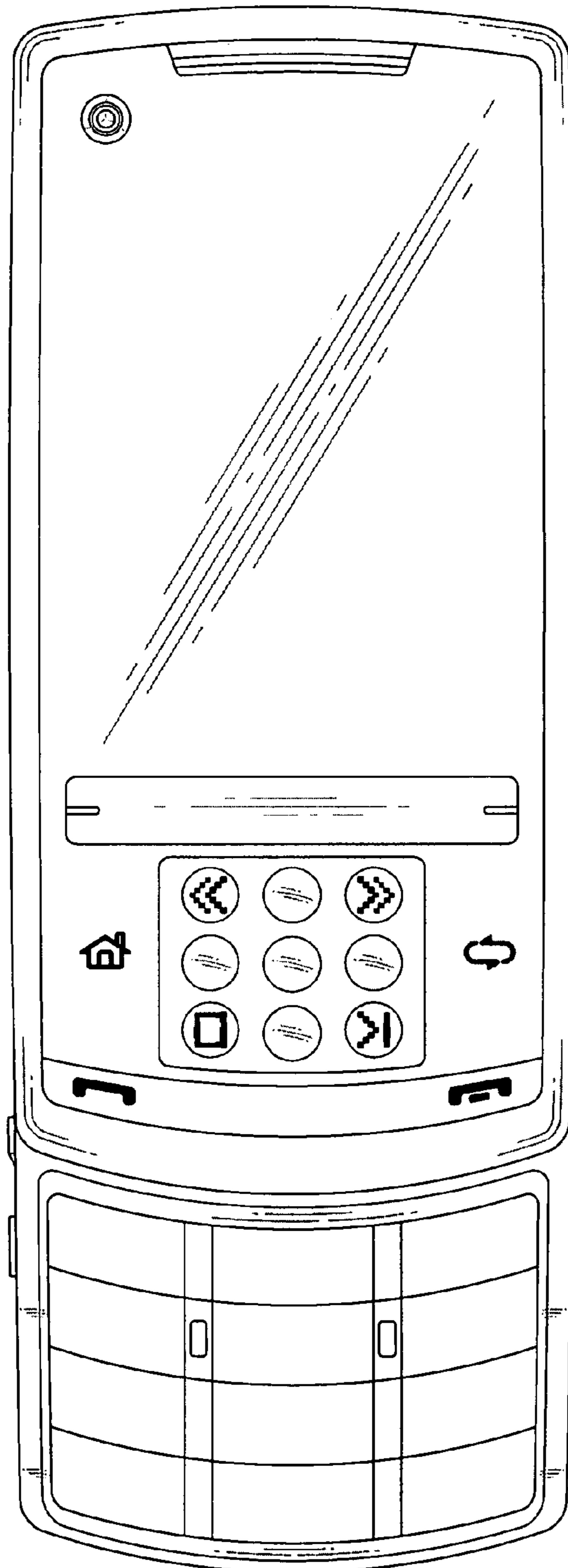


FIG. 9

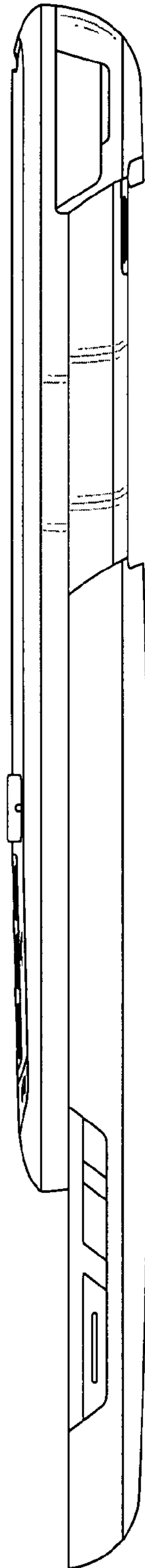


FIG. 10

