



US00D592169S

(12) **United States Design Patent**
Kim et al.

(10) **Patent No.:** **US D592,169 S**

(45) **Date of Patent:** **** May 12, 2009**

(54) **MOBILE PHONE**

(75) Inventors: **Chang-Hwan Kim**, Seoul (KR);
Yoon-Young Cho, Seoul (KR);
Chang-Soo Lee, Incheon (KR)

(73) Assignee: **Samsung Electronics Co., Ltd.**,
Suwon-Si (KR)

(**) Term: **14 Years**

(21) Appl. No.: **29/320,783**

(22) Filed: **Jul. 3, 2008**

(30) **Foreign Application Priority Data**

May 6, 2008 (KR) 30-2008-0018919

(51) **LOC (9) Cl.** **14-03**

(52) **U.S. Cl.** **D14/138 AB**

(58) **Field of Classification Search** D14/138,
D14/496, 341, 345, 346; 455/575.3, 575.1

See application file for complete search history.

(56) **References Cited**

U.S. PATENT DOCUMENTS

D282,826 S *	3/1986	Hoogner	D10/40
D486,809 S *	2/2004	Hwang	D14/138 AB
D501,189 S *	1/2005	Lodato et al.	D14/138 AB
D536,319 S *	2/2007	Kim	D14/138 AB
D537,059 S *	2/2007	Hwang	D14/138 AB
D540,767 S *	4/2007	Kim et al.	D14/138 AB
D542,755 S *	5/2007	Choi et al.	D14/138 AB
D547,330 S *	7/2007	Lee	D14/496
D555,623 S *	11/2007	Cho et al.	D14/138 AB
D557,243 S *	12/2007	Kim et al.	D14/138 AD
D562,289 S *	2/2008	Suk et al.	D14/138 AD
D562,290 S *	2/2008	Cho et al.	D14/138 AB
D562,291 S *	2/2008	Bang et al.	D14/138 AD
D562,796 S *	2/2008	Sohn et al.	D14/138 AD
D568,278 S *	5/2008	Kim et al.	D14/138 AB
D568,852 S *	5/2008	Park	D14/138 AB
D570,323 S *	6/2008	Okada et al.	D14/138 AD
D570,346 S *	6/2008	Suk et al.	D14/341
D570,838 S *	6/2008	Suk et al.	D14/341
D571,337 S *	6/2008	Lee et al.	D14/138
D575,761 S *	8/2008	Kim	D14/138

D576,599 S * 9/2008 Han et al. D14/138 R

OTHER PUBLICATIONS

Samsung T539 Beat telephone, announced Oct. 2007, [online], [site visited Sep. 9, 2008]. Available from Internet ,<URL: http://www.gsmarena.com>.*

Samsung i620 telephone, announced Jun. 2007, [online], [site visited Sep. 9, 2008]. Available from Internet ,<URL: http://www.gsmarena.com>.*

Sony Ericsson W980 telephone, announced Feb. 2008, [online], [site visited Sep. 9, 2008]. Available from Internet ,<URL: http://www.gsmarena.com>.*

Nokia N71 telephone, announced 4th quarter 2005, [online], [site visited Sep. 9, 2008]. Available from Internet ,<URL: http://www.gsmarena.com>.*

Alcatel OT 835 telephone, announced 1st quarter 2004, [online], [site visited Sep. 9, 2008]. Available from Internet ,<URL: http://www.gsmarena.com>.*

Sagem my900c telephone, announced Mar. 2006, [online], [site visited Sep. 9, 2008]. Available from Internet ,<URL: http://www.gsmarena.com>.*

* cited by examiner

Primary Examiner—Jeffrey D Asch

(74) *Attorney, Agent, or Firm*—Staas & Halsey LLP

(57) **CLAIM**

The ornamental design for a mobile phone, as shown and described.

DESCRIPTION

FIG. 1 is a front perspective view of a mobile phone;

FIG. 2 is a front view of the mobile phone of FIG. 1;

FIG. 3 is a rear view of the mobile phone of FIG. 1;

FIG. 4 is a left-side view of the mobile phone of FIG. 1;

FIG. 5 is a right-side view of the mobile phone of FIG. 1;

FIG. 6 is a top plan view of the mobile phone of FIG. 1;

FIG. 7 is a bottom plan view of the mobile phone of FIG. 1; and,

FIG. 8 is a front open view of the mobile phone of FIG. 1.

1 Claim, 5 Drawing Sheets

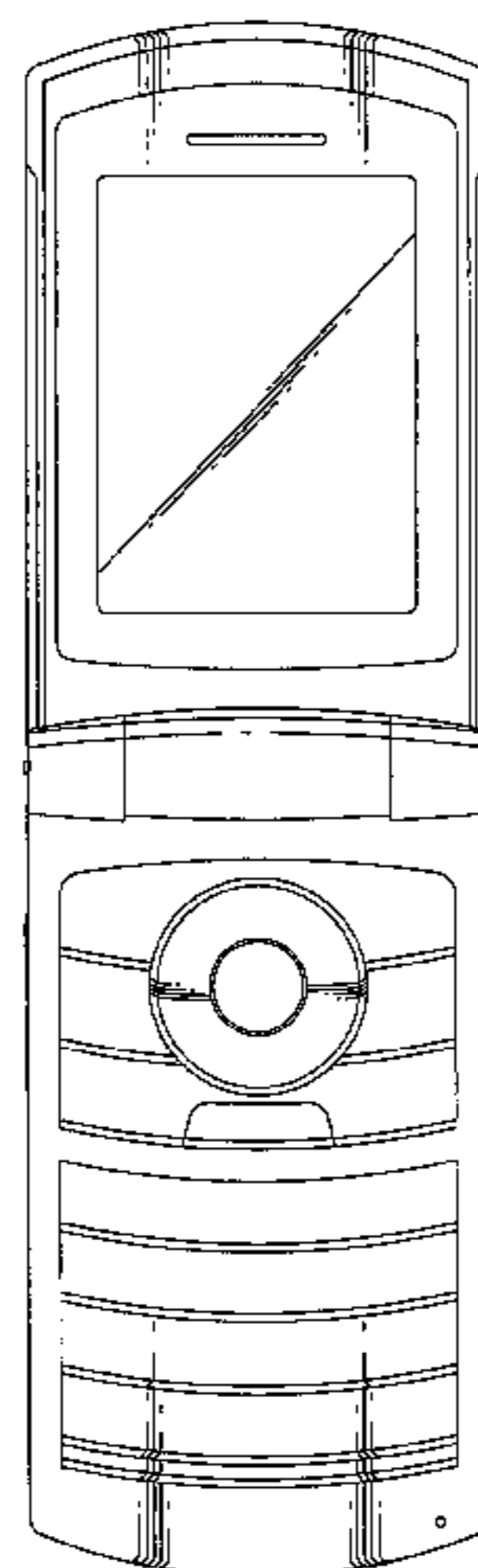
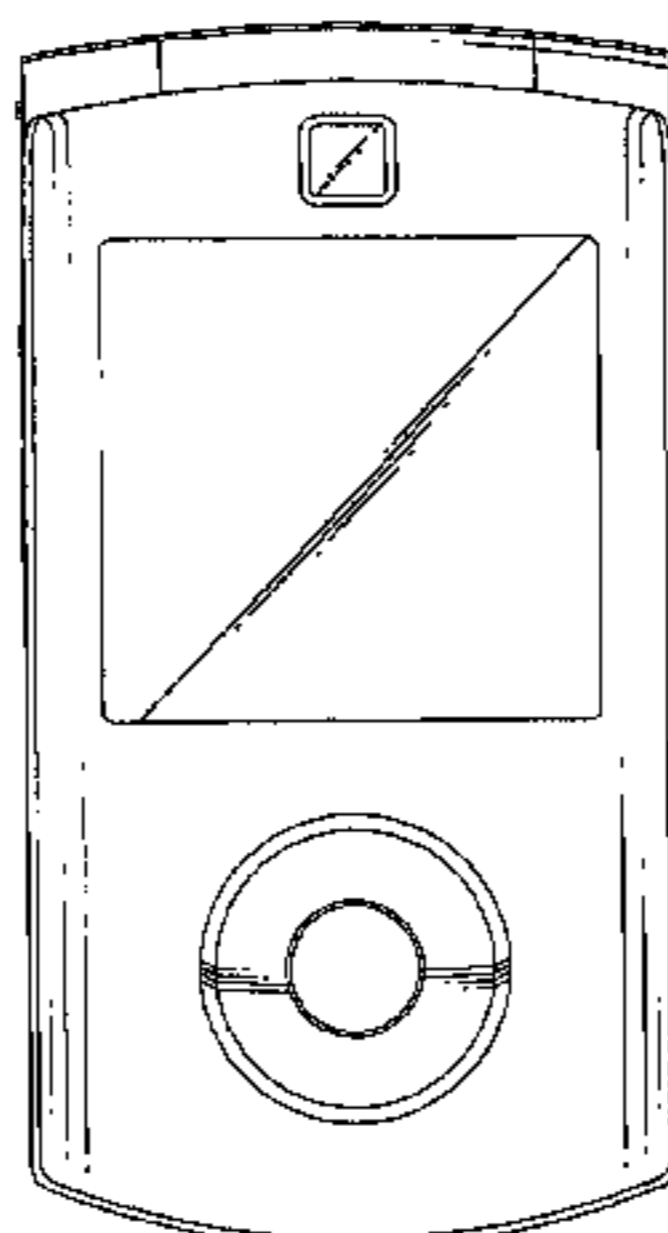


FIG. 1

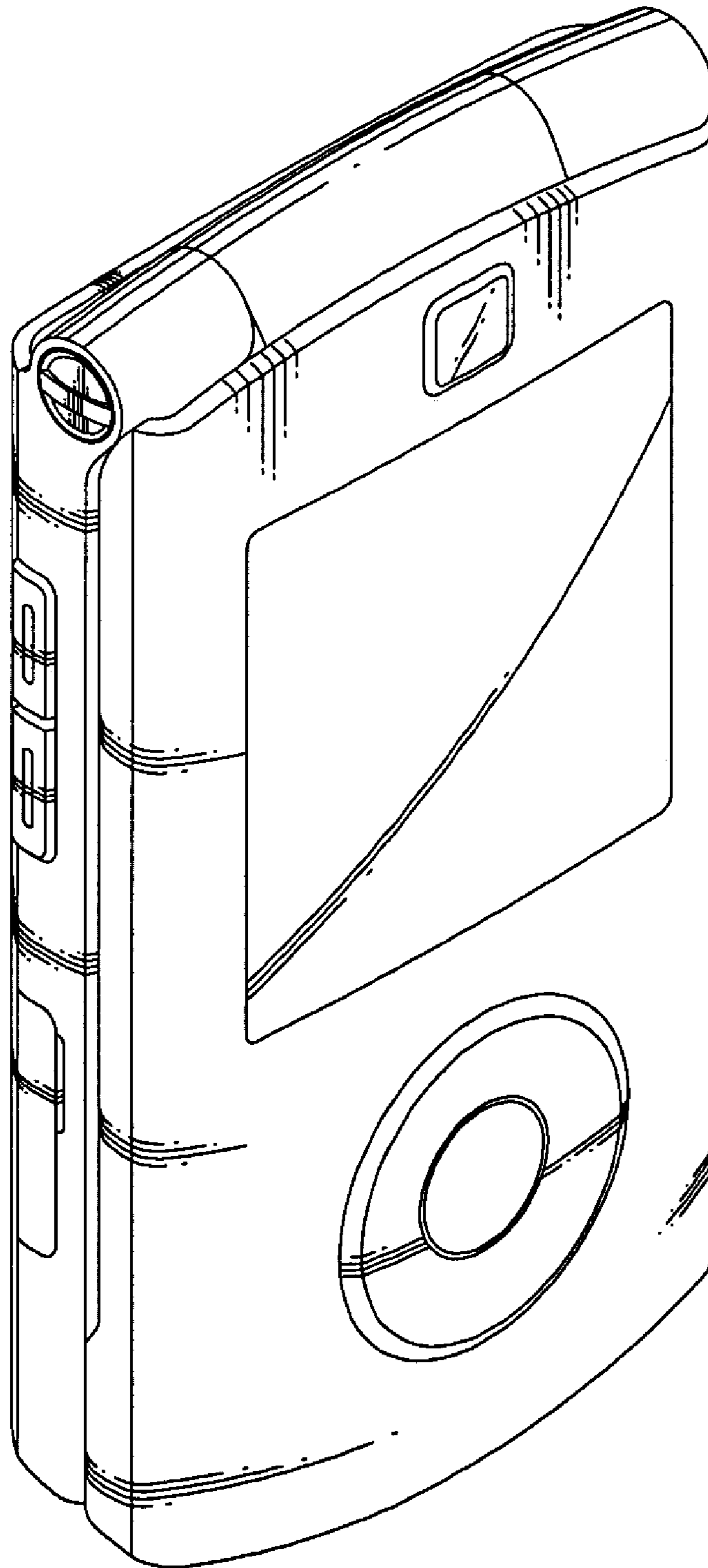


FIG.2

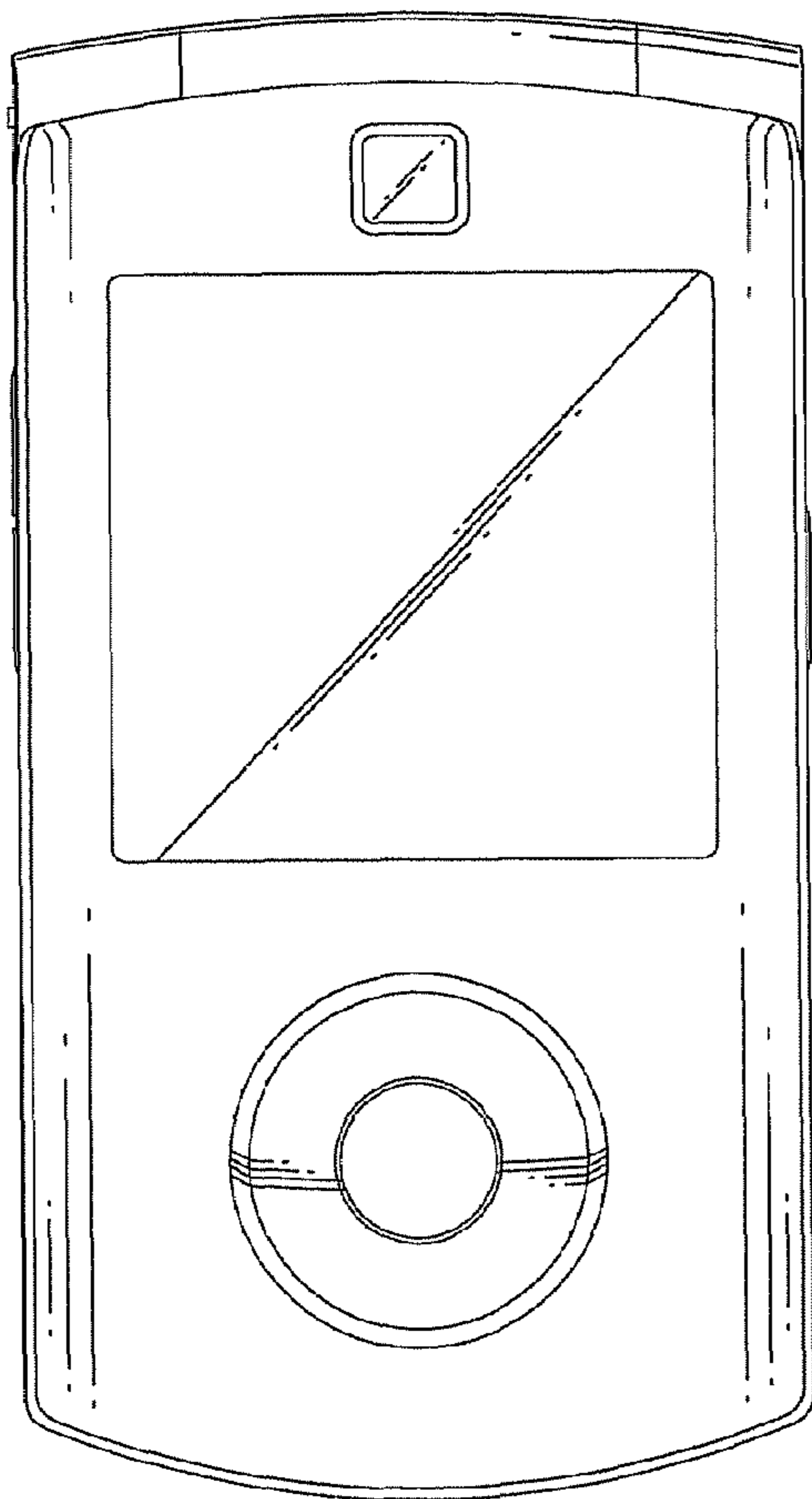


FIG.3

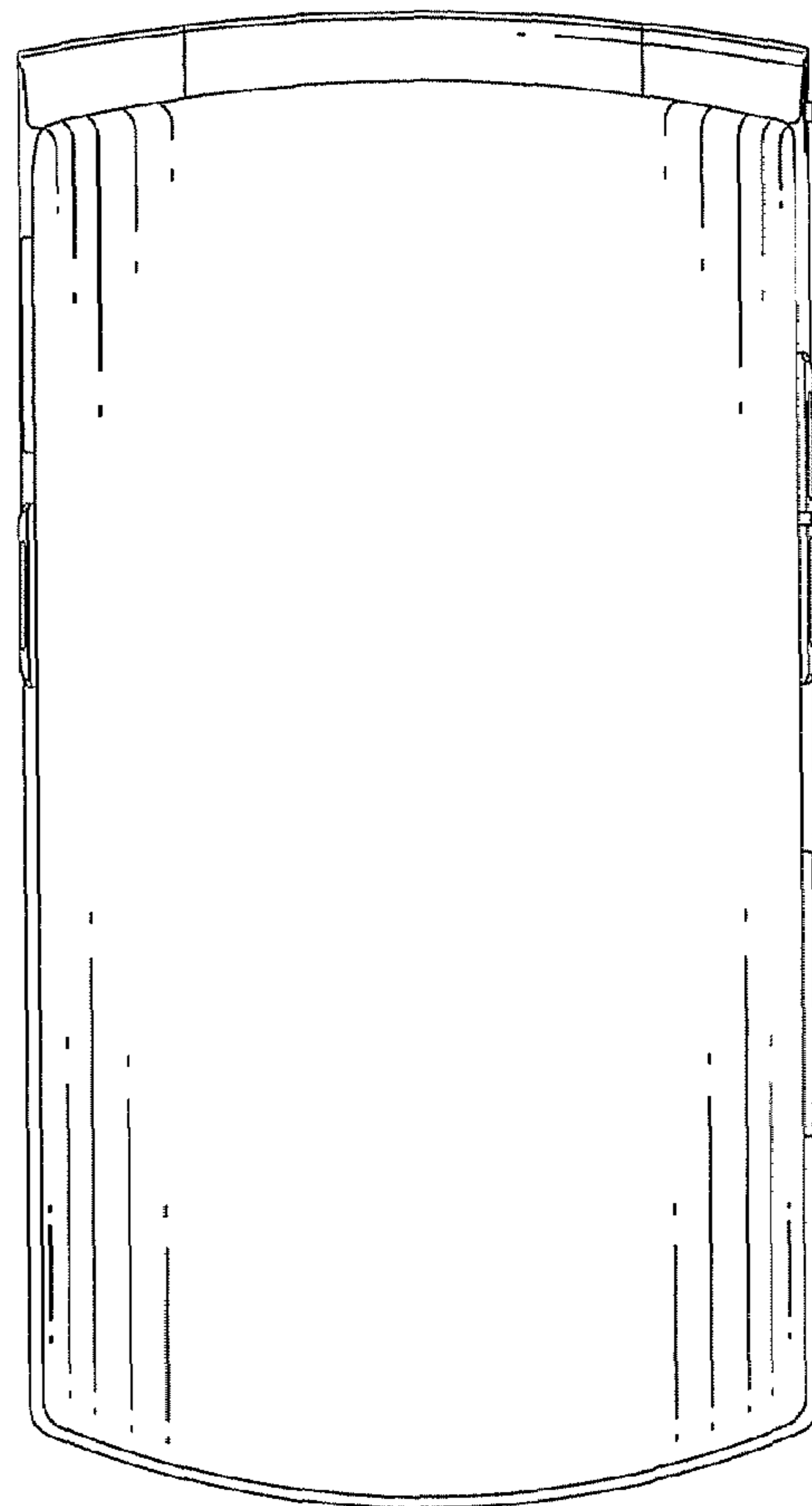


FIG. 4

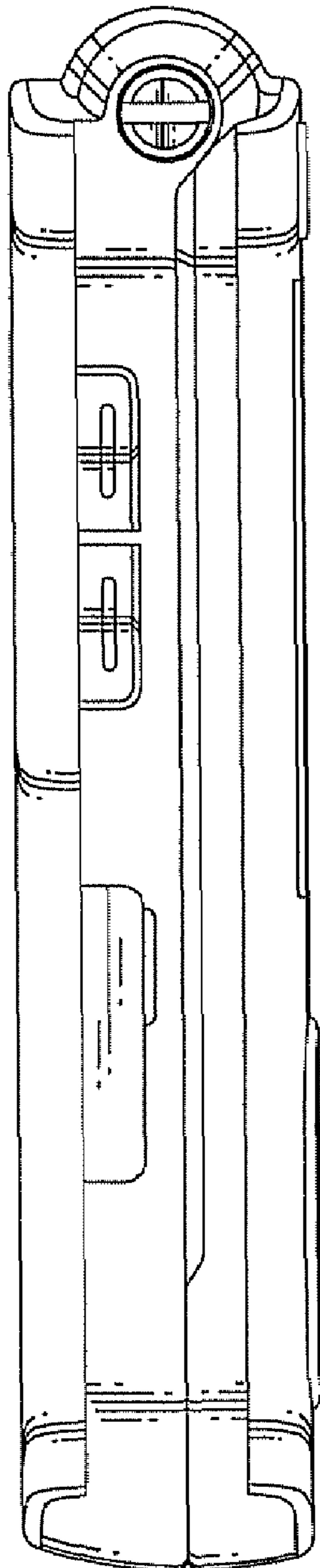


FIG. 5

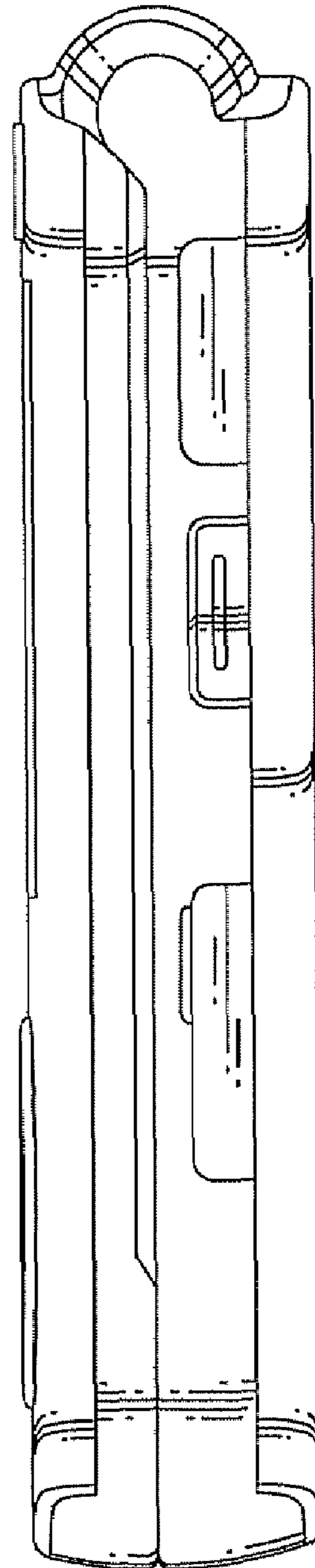


FIG. 6

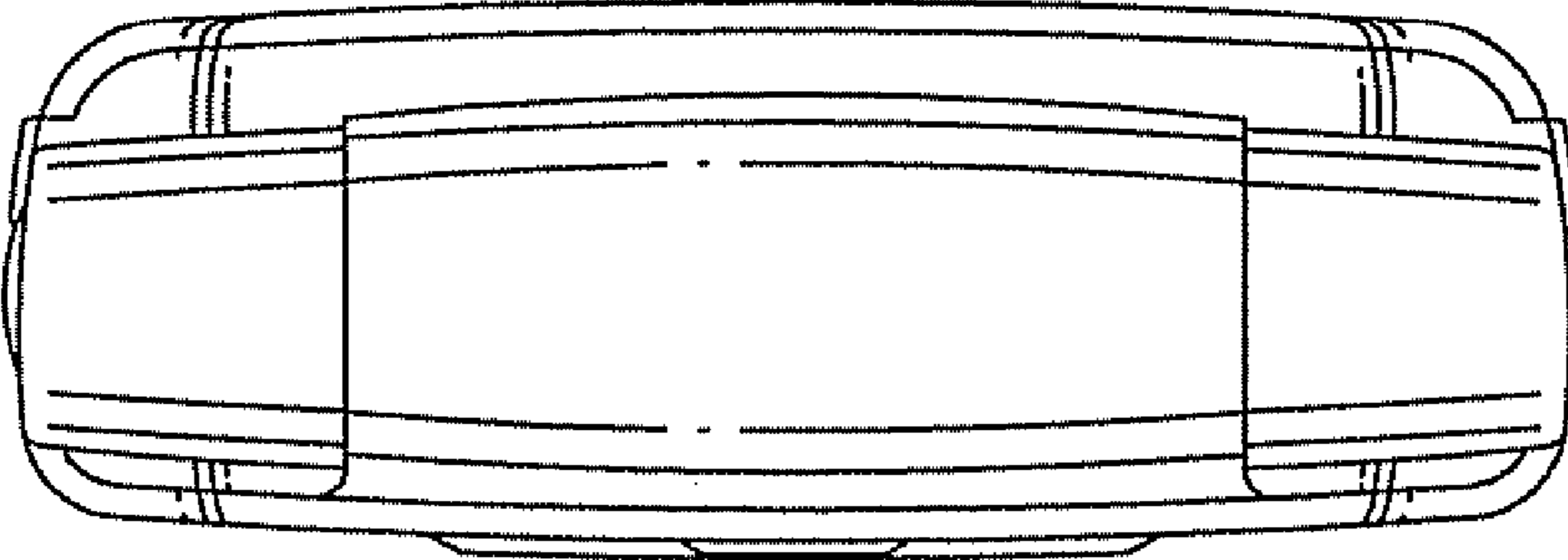


FIG. 7

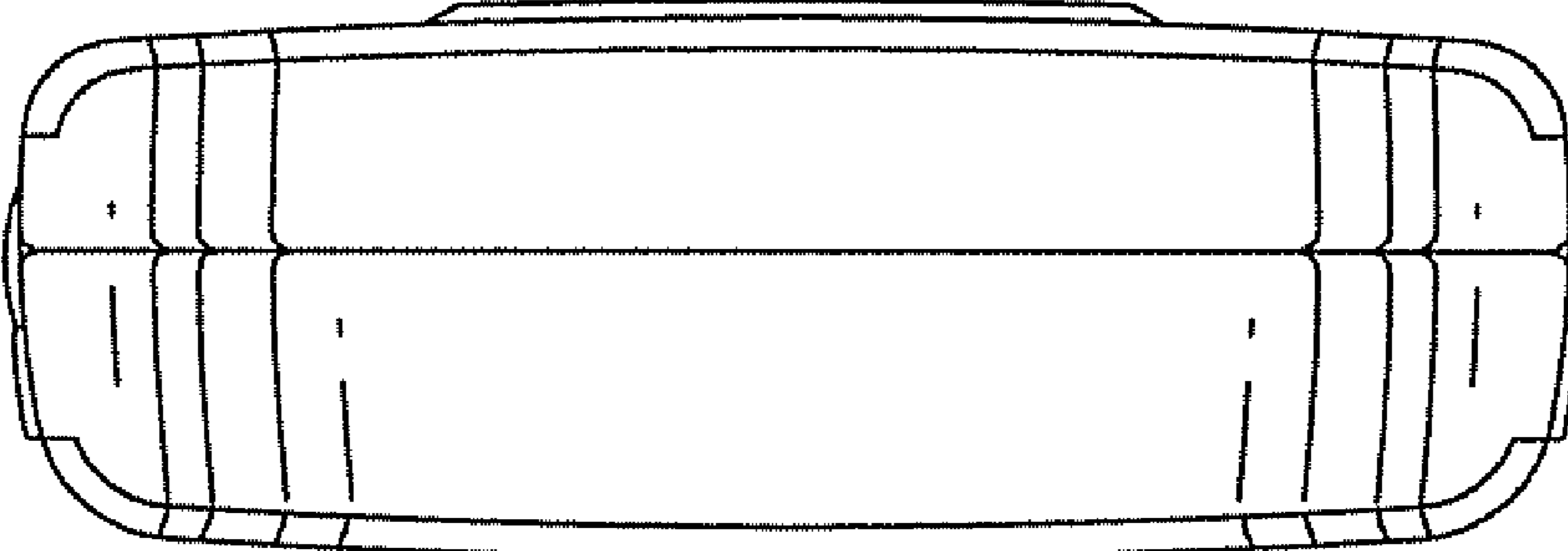


FIG. 8

