



US00D592163S

(12) **United States Design Patent**
Lee et al.

(10) **Patent No.:** **US D592,163 S**
(45) **Date of Patent:** **** May 12, 2009**

(54) **TELEVISION MONITOR**

(75) Inventors: **Yong Ho Lee**, Seoul (KR); **A Reum Kwon**, Seoul (KR); **Jeong Rok Lee**, Seoul (KR); **Sang Gi Kim**, Seoul (KR)

(73) Assignee: **LG Electronics Inc.**, Seoul (KR)

(**) Term: **14 Years**

(21) Appl. No.: **29/309,402**

(22) Filed: **Aug. 11, 2008**

(30) **Foreign Application Priority Data**

Feb. 14, 2008 (KR) 30-2008-0006289

(51) **LOC (9) Cl.** **14-03**

(52) **U.S. Cl.** **D14/126**

(58) **Field of Classification Search** D14/125-134, D14/239, 371, 136, 374-377, 440, 450, 448, D14/336, 342; 312/7.2; 348/836, 838, 180, 348/184, 325, 739; 341/12; 248/917-924, 248/465; 345/104, 133, 156, 168, 87, 173; 720/605, 669, 600, 655; 369/99, 197; 455/344, 455/347; D21/329, 515, 577, 622, 333, 433, D21/448, 452, 450, 331; D6/477, 479; 273/148 B; 446/484, 175, 356; D10/15, 26
See application file for complete search history.

(56) **References Cited**

U.S. PATENT DOCUMENTS

D500,991 S * 1/2005 Niitsu D14/126

D534,881 S * 1/2007 Ju et al. D14/126
D535,954 S * 1/2007 Hwang et al. D14/126
D549,194 S * 8/2007 Fujii D14/126
D572,743 S * 7/2008 Madonna et al. D14/126

* cited by examiner

Primary Examiner—Raphael Barkai

(74) *Attorney, Agent, or Firm*—Morgan, Lewis & Bockius LLP

(57) **CLAIM**

The ornamental design for a television monitor, as shown and described.

DESCRIPTION

FIG. 1 is a perspective view of a television monitor showing our new design;

FIG. 2 is a front view thereof;

FIG. 3 is a rear view thereof;

FIG. 4 is a left side view thereof;

FIG. 5 is a right side view thereof;

FIG. 6 is a top plan view thereof;

FIG. 7 is a bottom plan view thereof; and,

FIG. 8 is a perspective view thereof showing the state in which the television monitor has been installed to a wall after the stand part has been detached.

The broken lines shown in FIG. 8 are for illustrative purposes only and form no part of the claimed design.

1 Claim, 7 Drawing Sheets

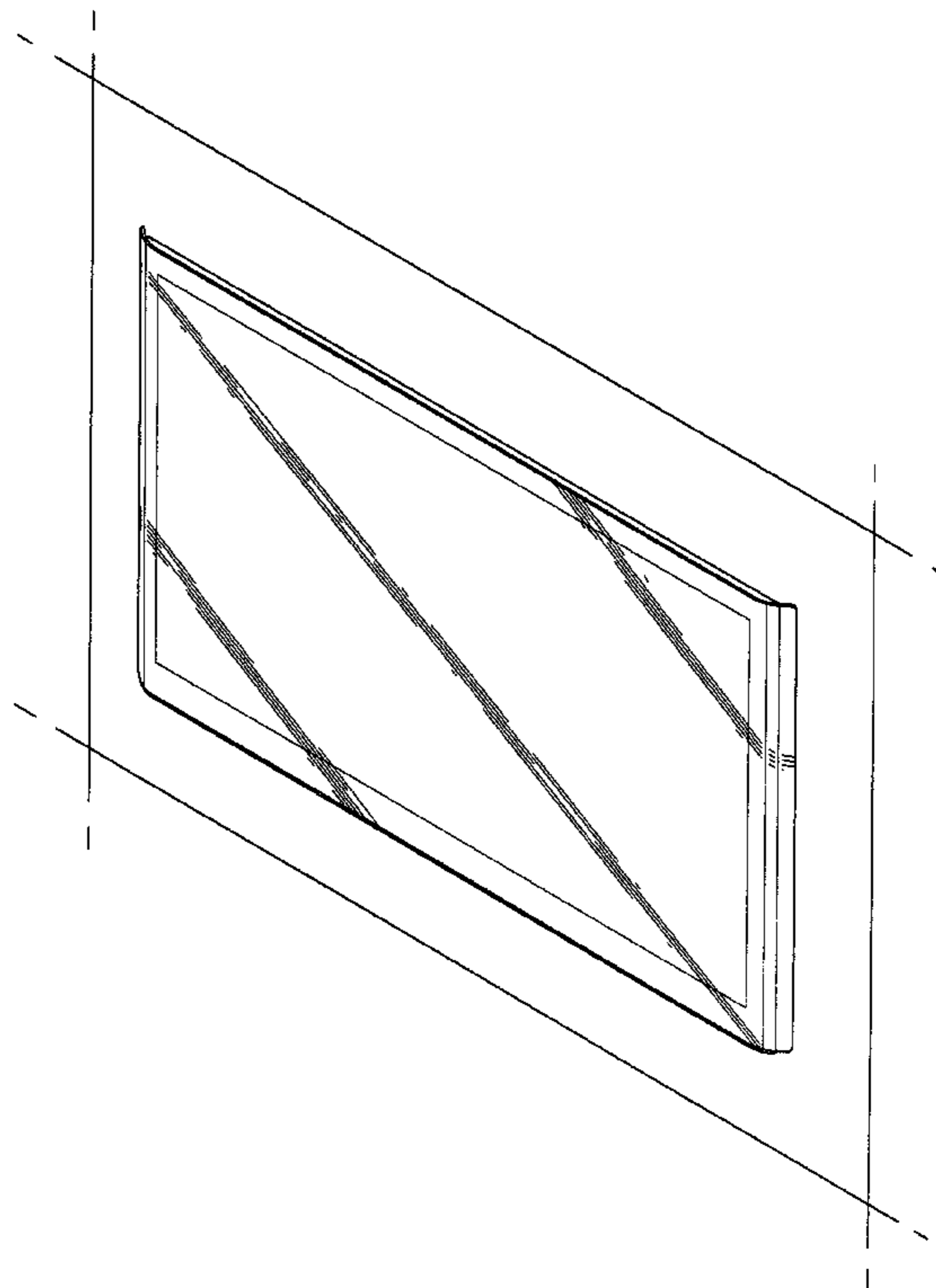
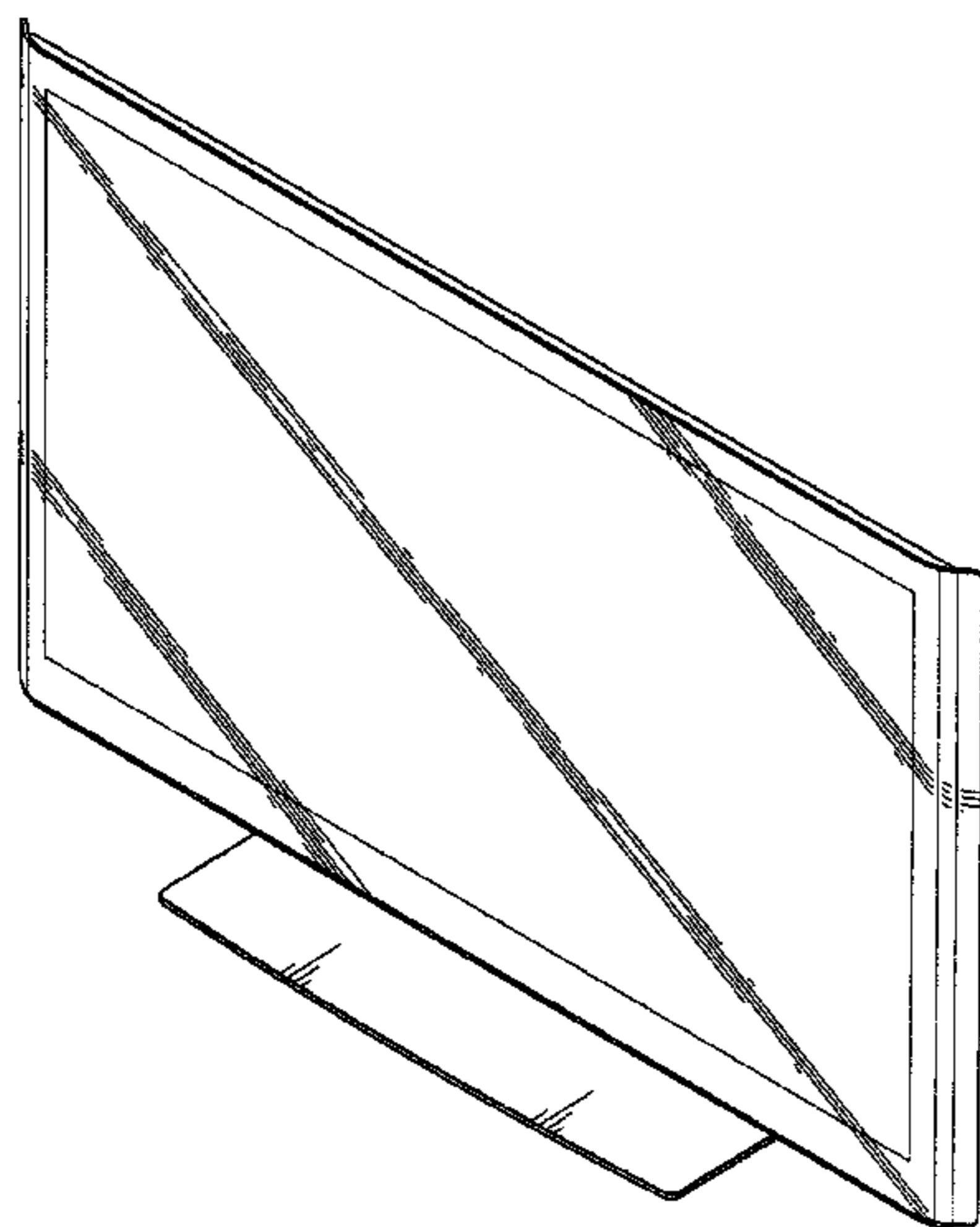


FIG. 1

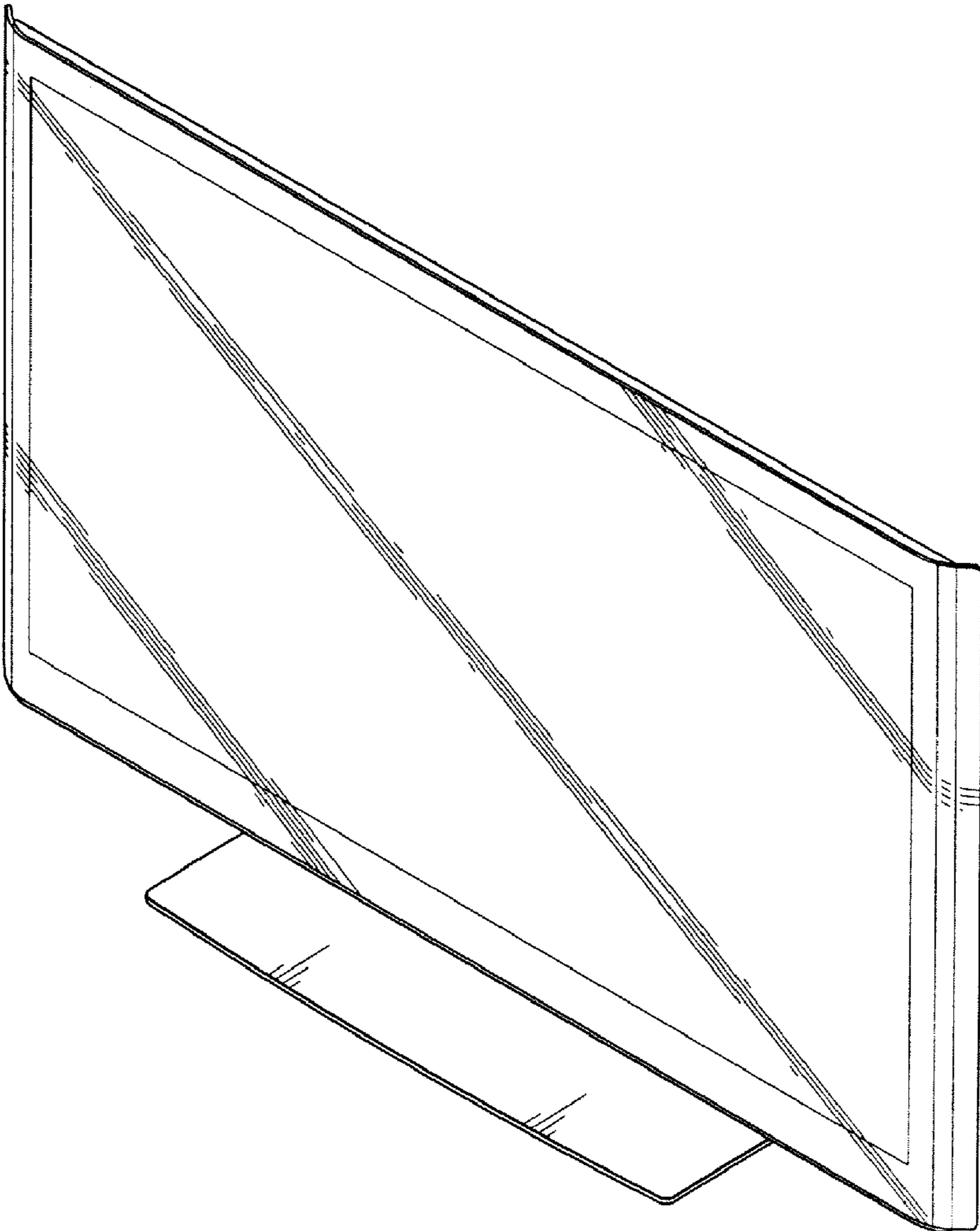


FIG. 2

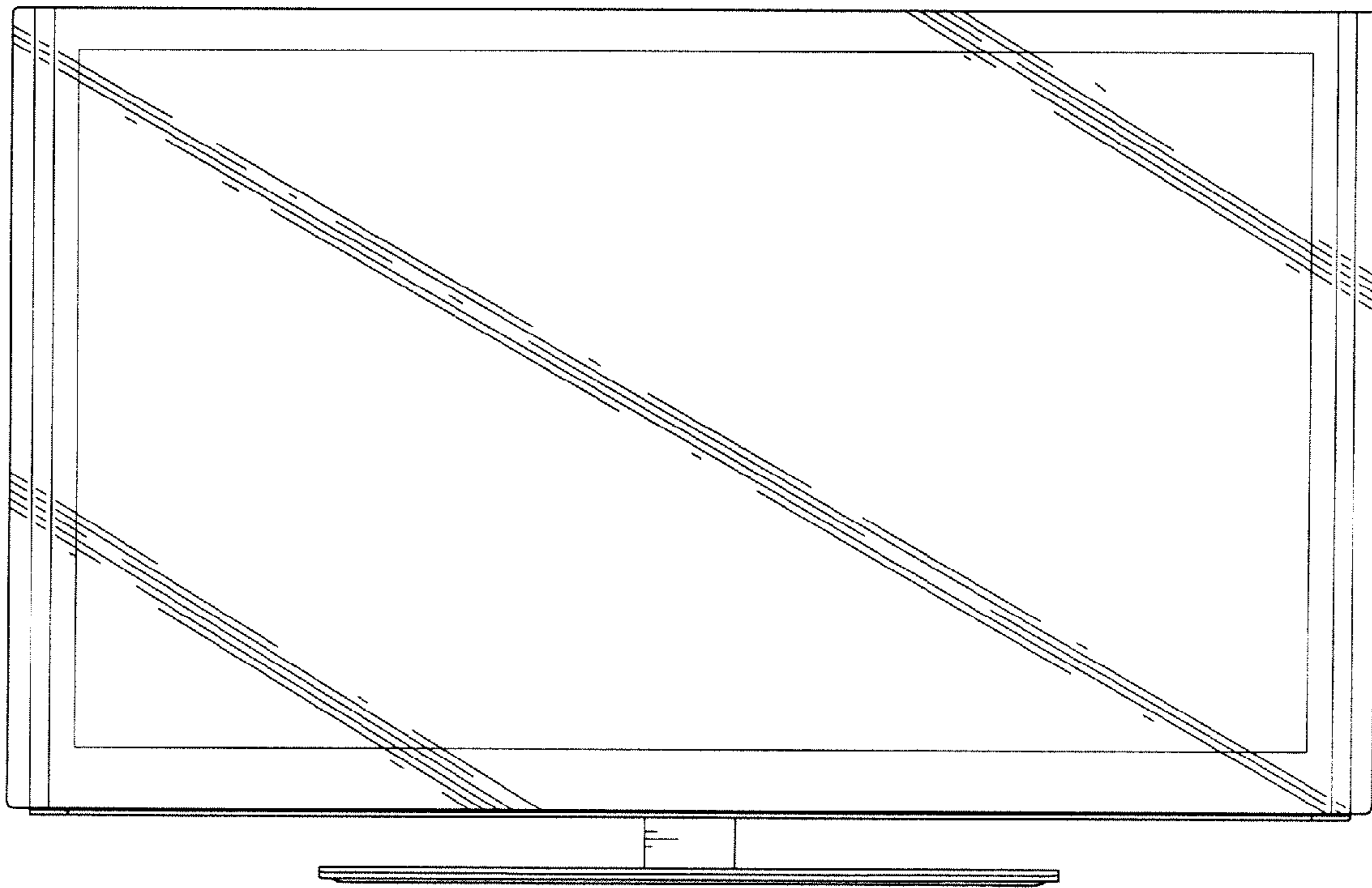


FIG. 3

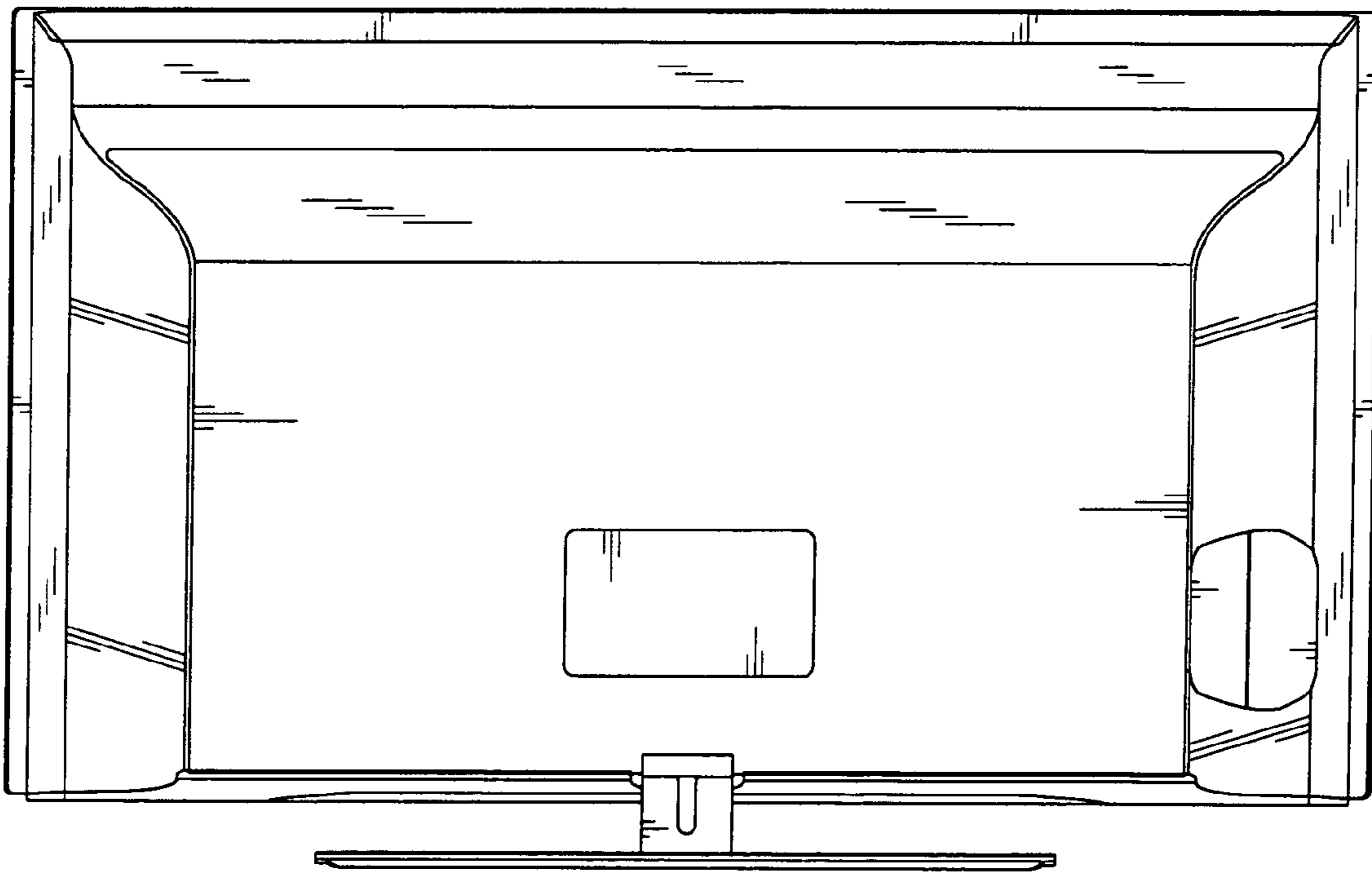


FIG. 4

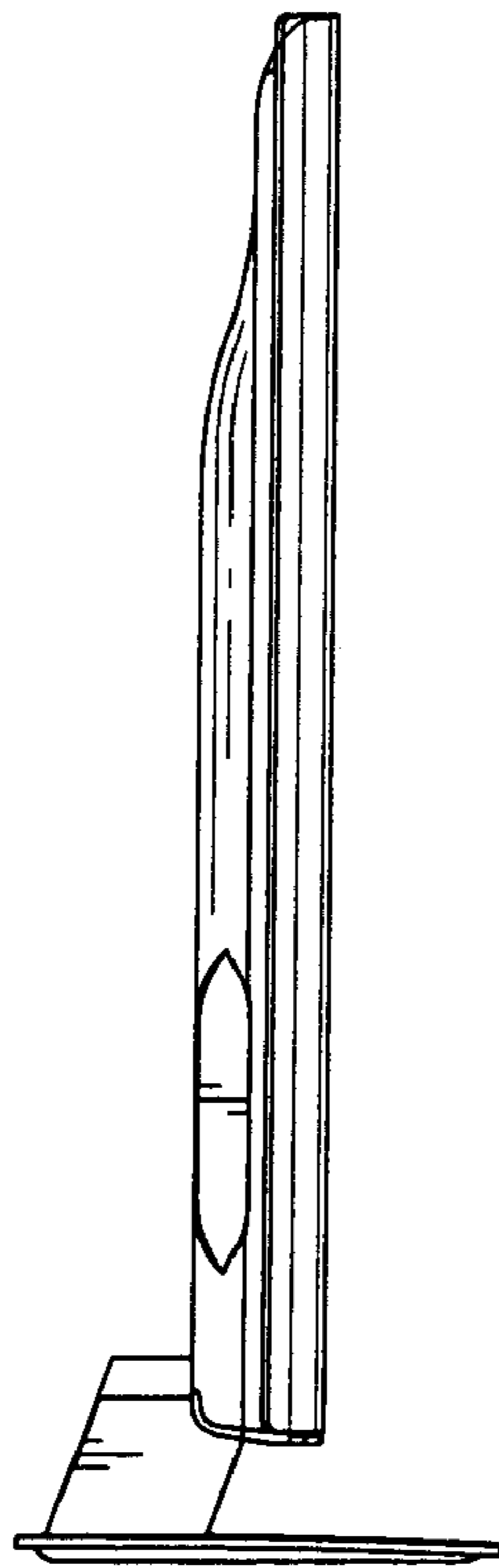


FIG. 5

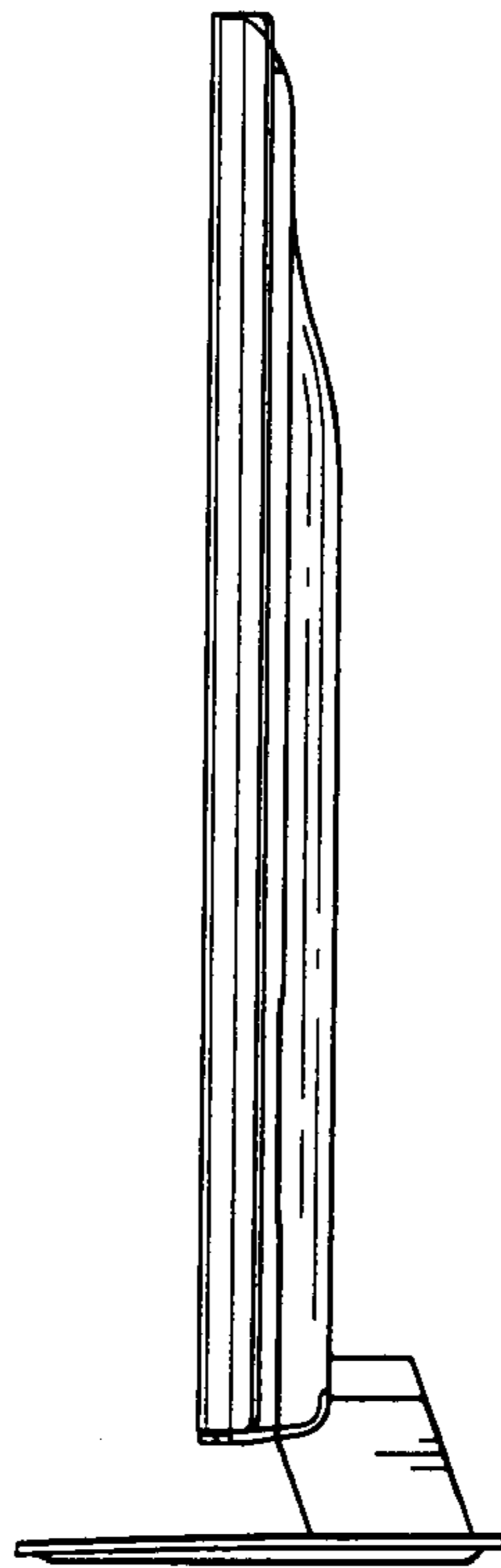


FIG. 6

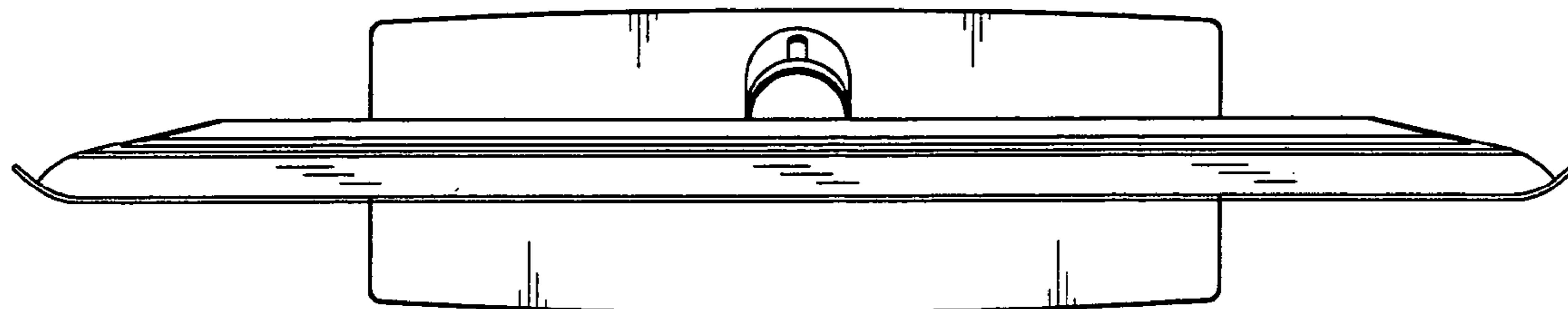


FIG. 7

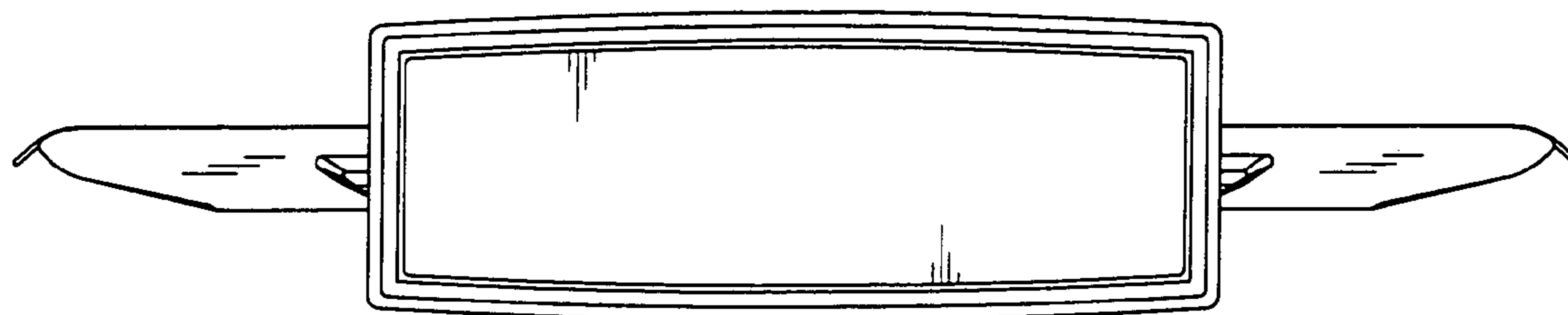


FIG. 8

