



US00D592162S

(12) **United States Design Patent**
Sugimoto et al.

(10) **Patent No.:** **US D592,162 S**
(45) **Date of Patent:** **** May 12, 2009**

(54) **LIGHT EMITTING DIODE**

(75) Inventors: **Kunihito Sugimoto**, Anan (JP); **Koki Matsumoto**, Komatsushima (JP)

(73) Assignee: **Nichia Corporation**, Anan-shi (JP)

(**) Term: **14 Years**

(21) Appl. No.: **29/323,187**

(22) Filed: **Aug. 20, 2008**

(30) **Foreign Application Priority Data**

Feb. 25, 2008 (JP) 2008-004191

(51) **LOC (9) Cl.** **13-03**

(52) **U.S. Cl.** **D13/180**

(58) **Field of Classification Search** D13/180;
D26/2; 257/79, 80, 81, 88, 89, 95, 98, 99,
257/100; 313/483, 498, 500; 362/555, 800
See application file for complete search history.

(56) **References Cited**

U.S. PATENT DOCUMENTS

7,211,835 B2 * 5/2007 Ono 257/99
7,224,000 B2 * 5/2007 Aanegola et al. 257/98
D572,670 S * 7/2008 Ono et al. D13/180
D572,671 S * 7/2008 Okada et al. D13/180
2006/0273338 A1 * 12/2006 Lee et al. 257/99
2008/0230797 A1 * 9/2008 Chang et al. 257/99

FOREIGN PATENT DOCUMENTS

JP D1283653 10/2006
JP D1283654 10/2006
JP D1283655 10/2006
JP D1283656 10/2006

JP D1284038 10/2006
JP D1284039 10/2006
JP D1284040 10/2006
JP D1284041 10/2006
JP D1284043 10/2006
JP D1284044 10/2006
JP D1284045 10/2006
JP D1284046 10/2006

* cited by examiner

Primary Examiner—Selina Sikder

(74) *Attorney, Agent, or Firm*—Global IP Counselors, LLP

(57) **CLAIM**

The ornamental design for a light emitting diode, as shown and described.

DESCRIPTION

FIG. 1 is a perspective view of the light emitting diode in accordance with an embodiment of our new design;

FIG. 2 is a top plan view of the light emitting diode in accordance with the embodiment of our new design;

FIG. 3 is a front elevational view of the light emitting diode in accordance with the embodiment of our new design;

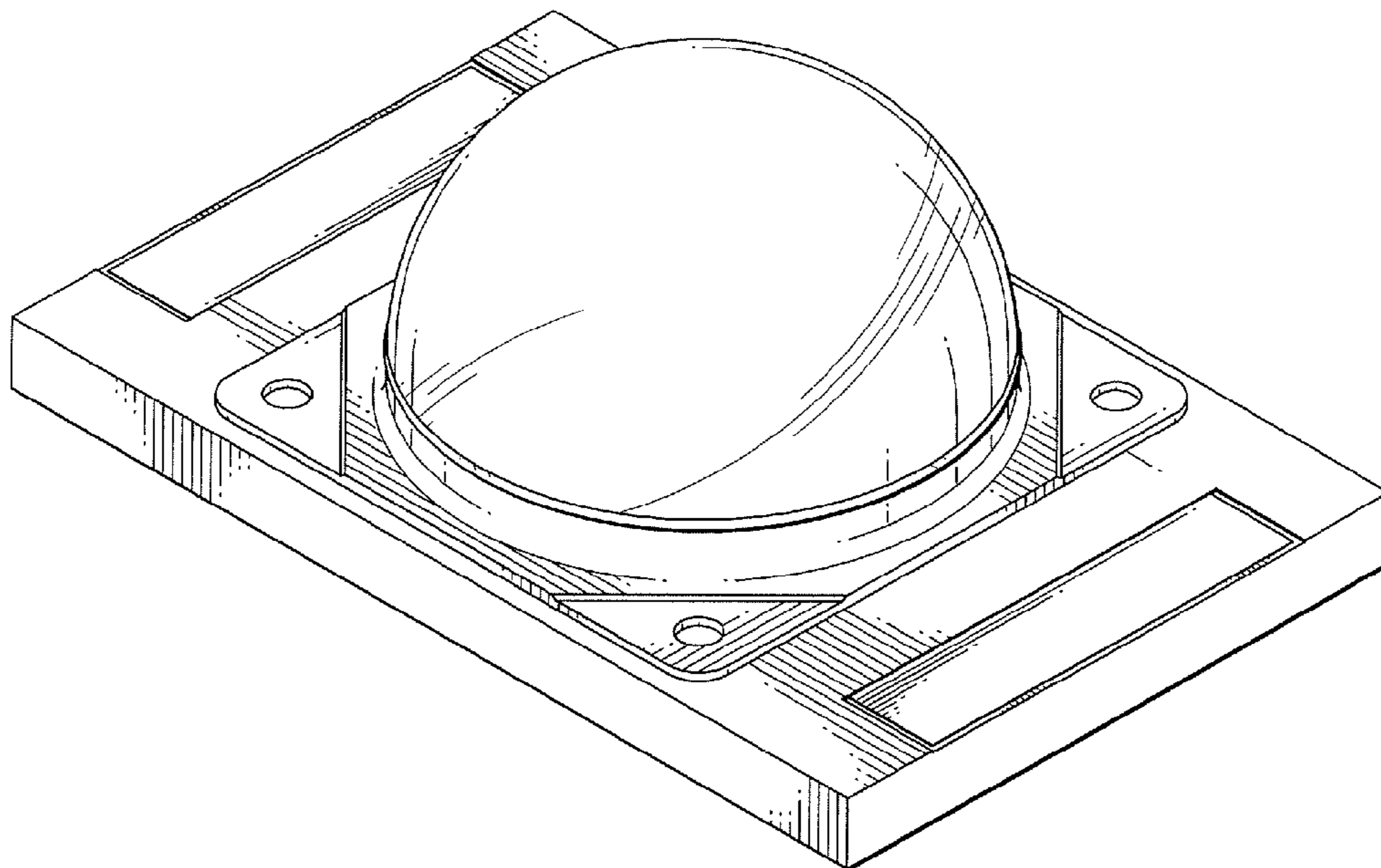
FIG. 4 is a left side elevational view of the light emitting diode in accordance with the embodiment of our new design;

FIG. 5 is a rear elevational view of the light emitting diode in accordance with the embodiment of our new design; and,

FIG. 6 is a right side elevational view of the light emitting diode in accordance with the embodiment of our new design.

The bottom plan view of the light emitting diode is omitted because the bottom surface of the light emitting diode is flat and devoid of surface ornamentation.

1 Claim, 3 Drawing Sheets



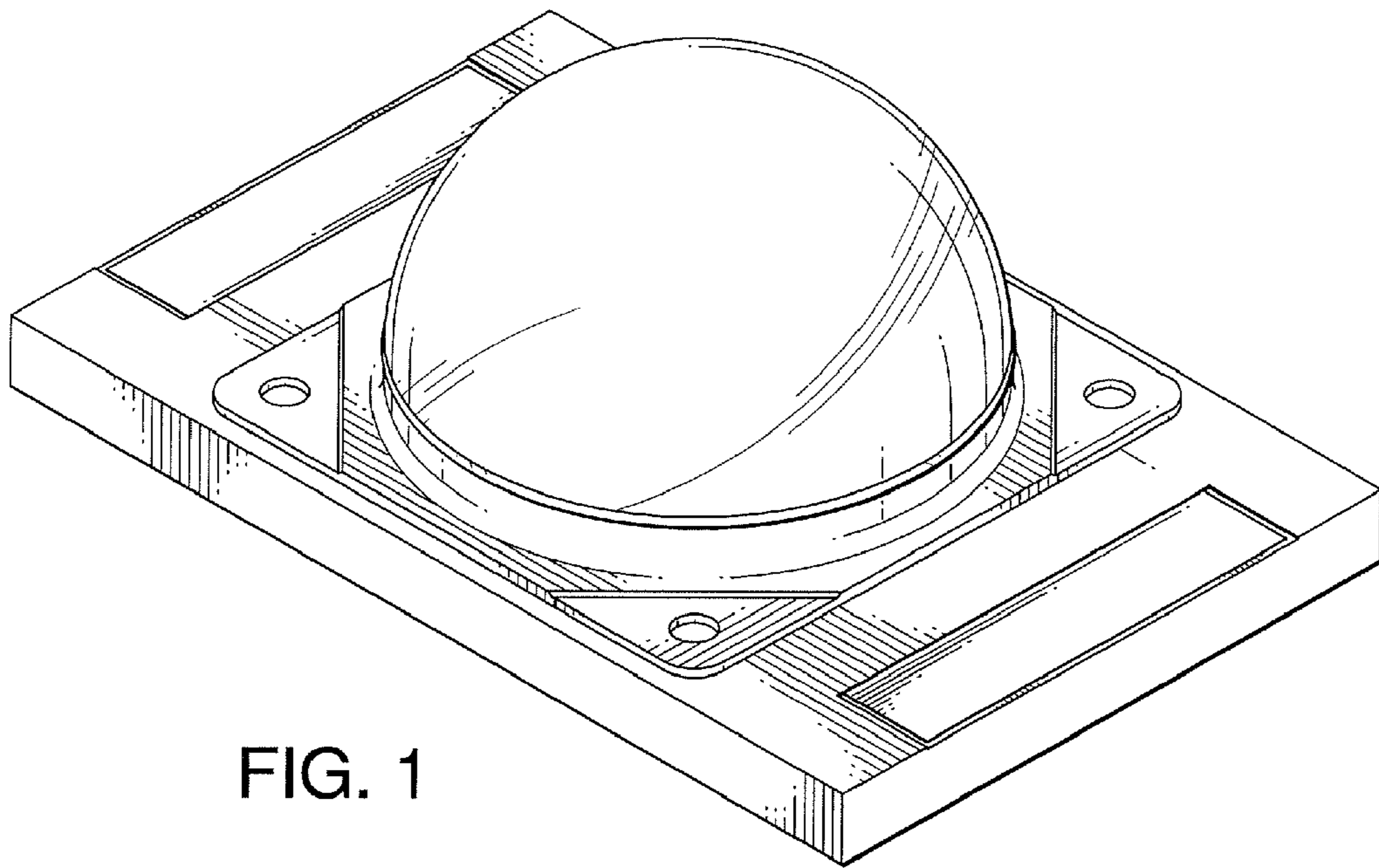


FIG. 1

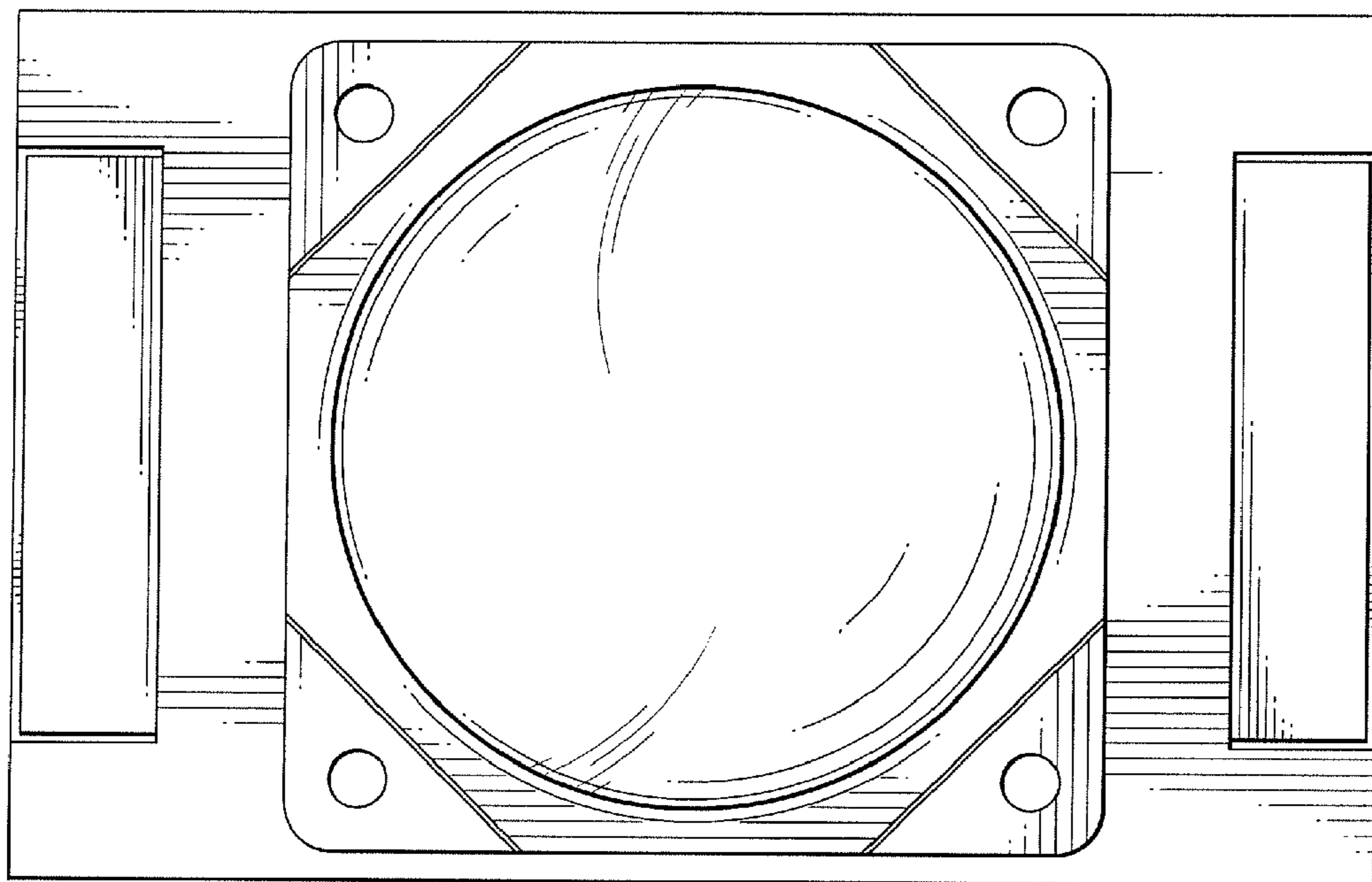


FIG. 2

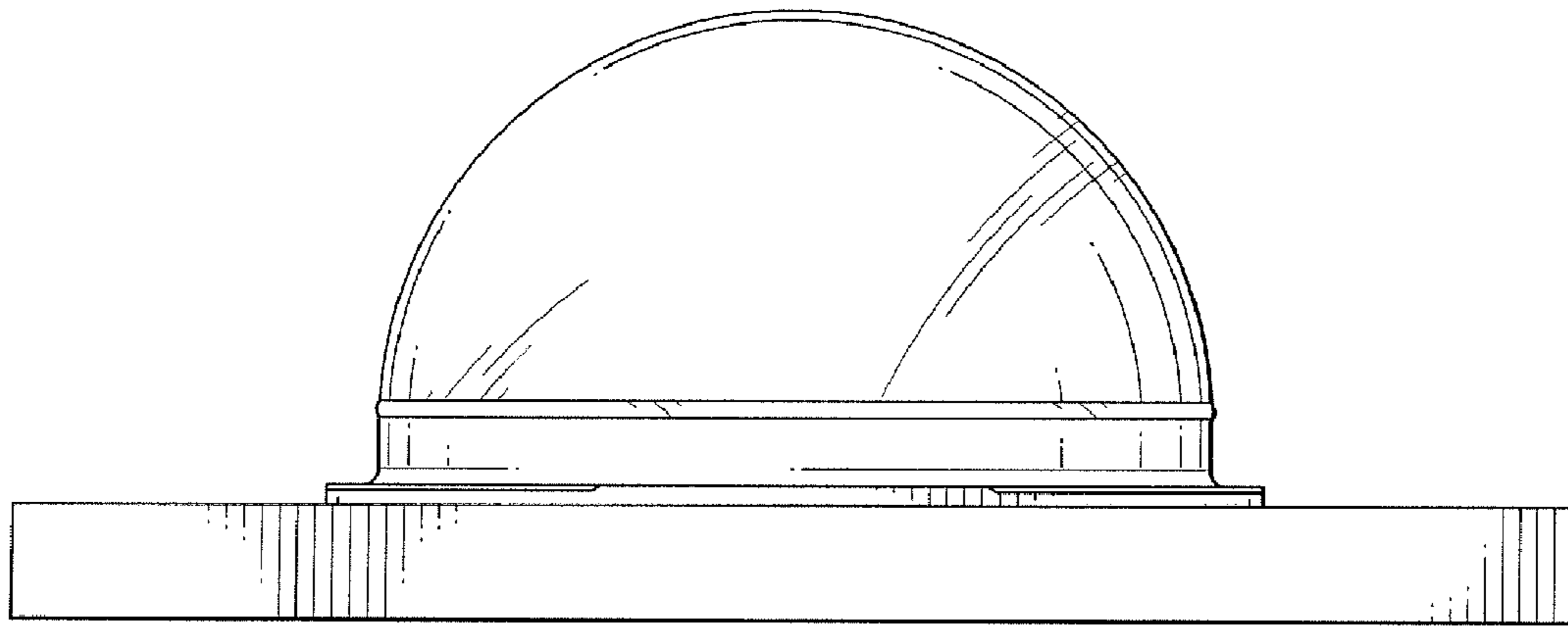


FIG. 3

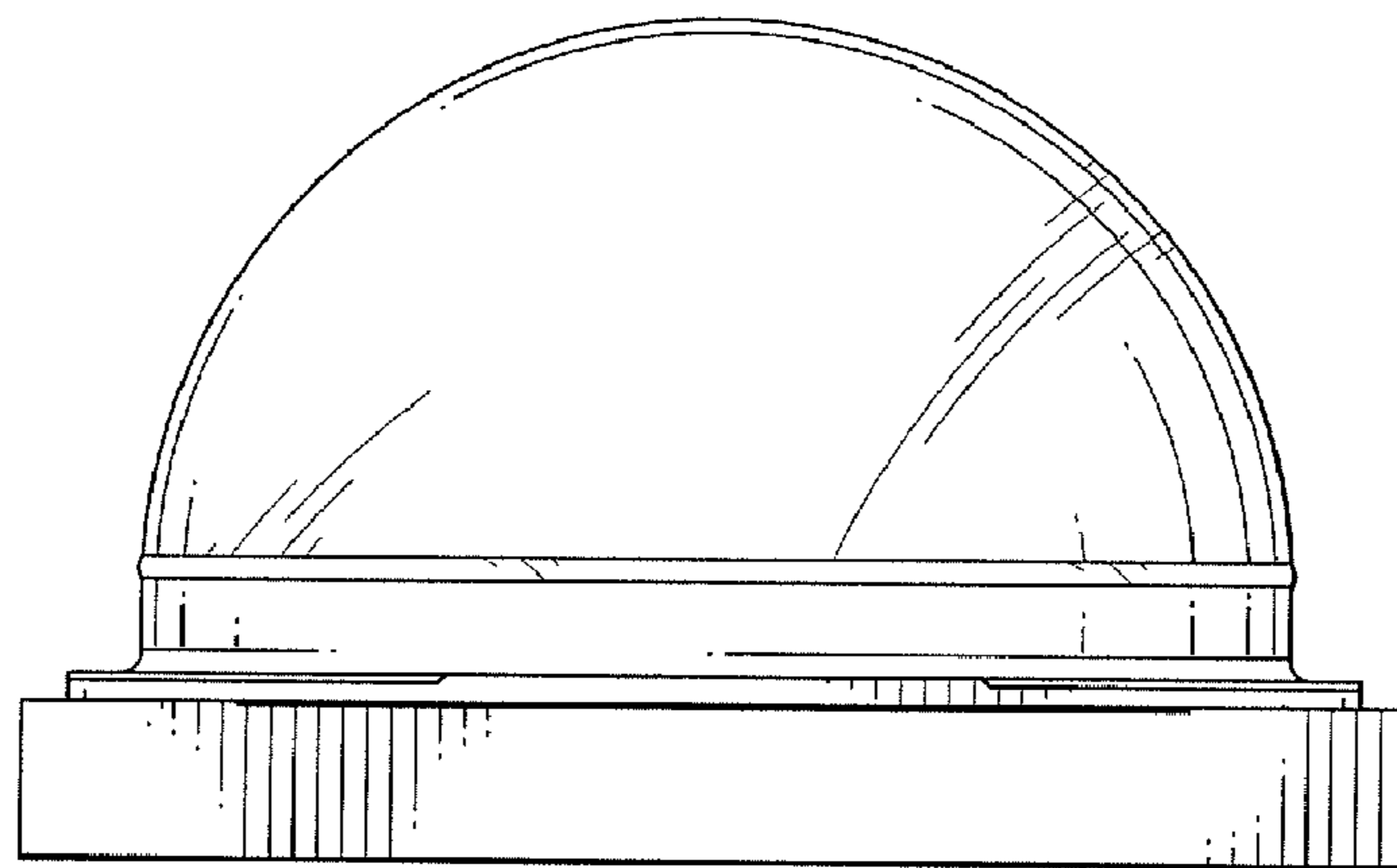


FIG. 4

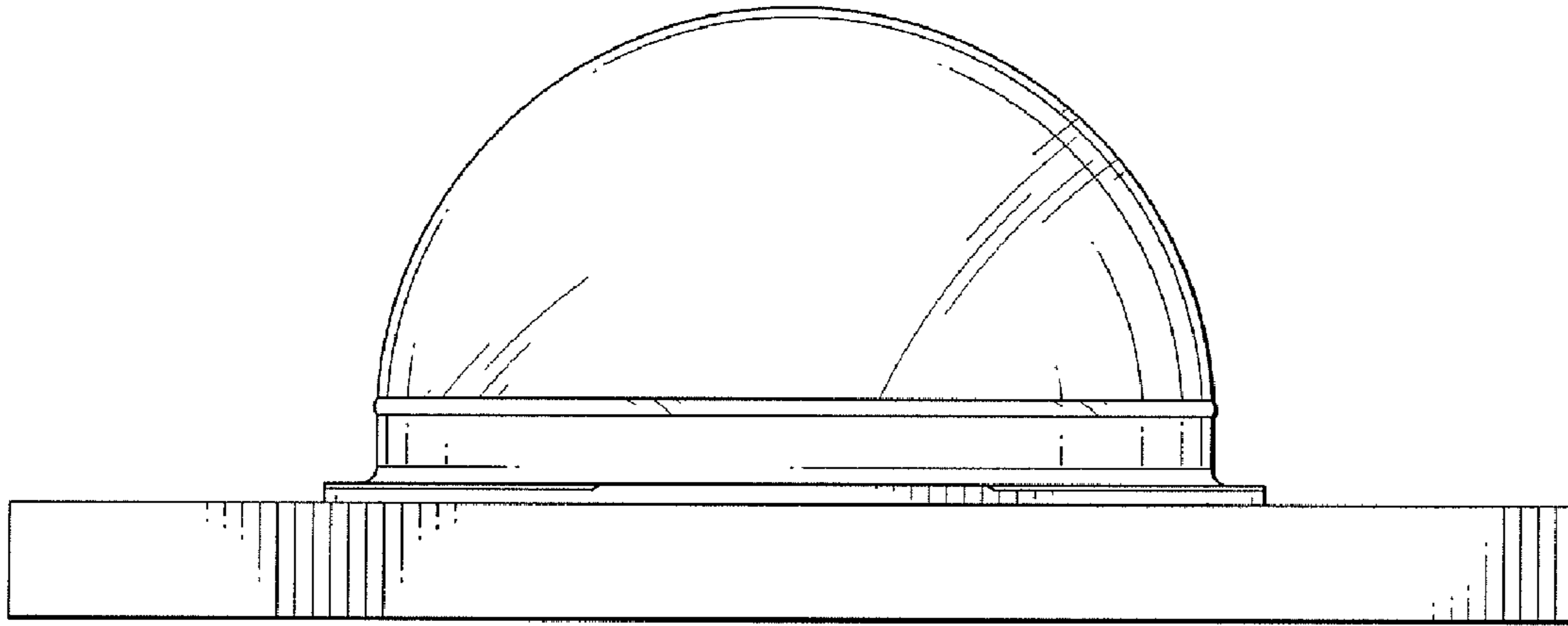


FIG. 5

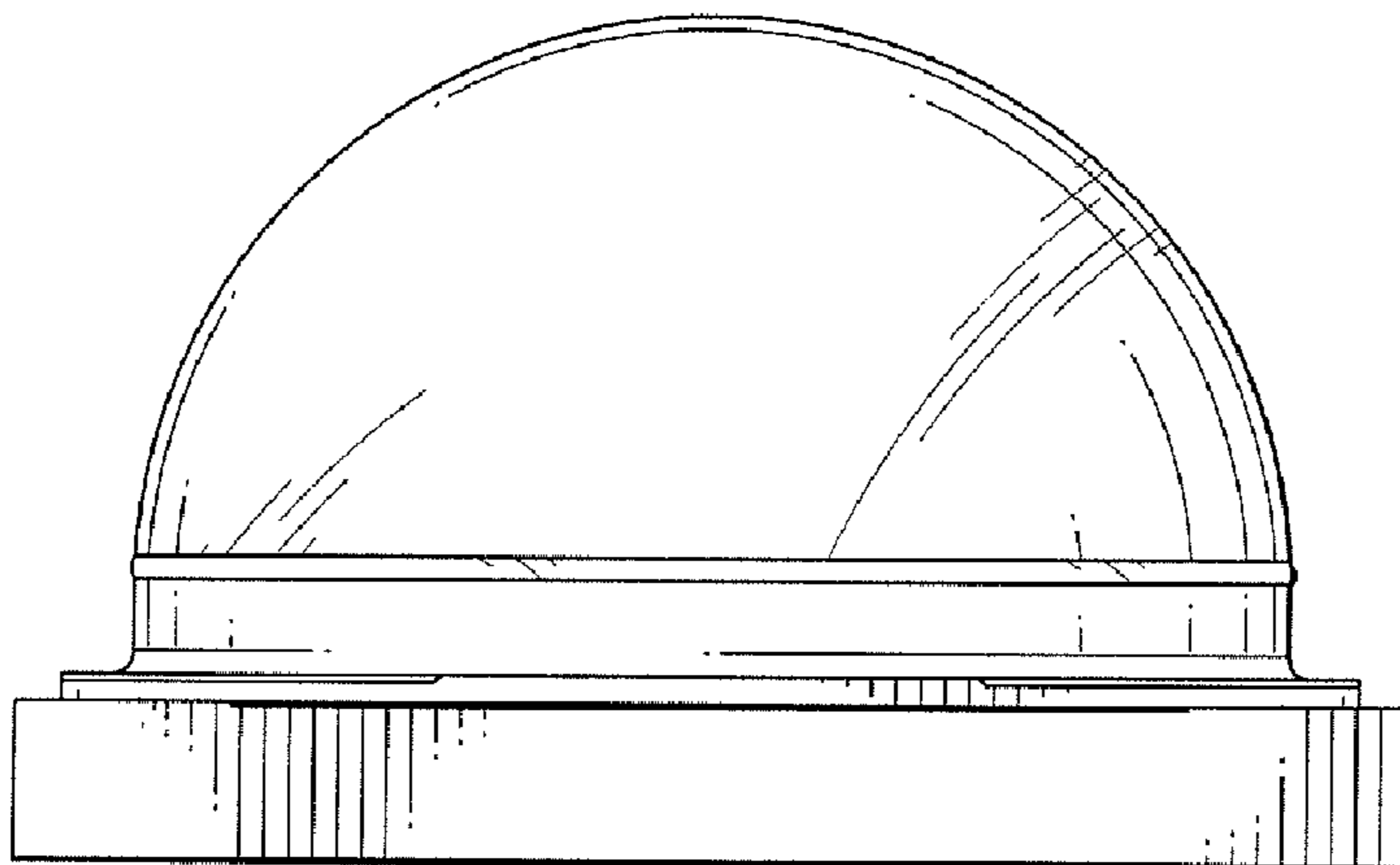


FIG. 6