

US00D592161S

(12) **United States Design Patent**
Song

(10) **Patent No.:** **US D592,161 S**

(45) **Date of Patent:** **** May 12, 2009**

(54) **LIGHT-EMITTING DIODE**

(75) Inventor: **Wen-Joe Song**, Taipei County (TW)

(73) Assignee: **Kingbright Electronic Co. Ltd.**,
Johnghe (TW)

(**) Term: **14 Years**

(21) Appl. No.: **29/322,306**

(22) Filed: **Aug. 1, 2008**

(51) **LOC (9) Cl.** **13-03**

(52) **U.S. Cl.** **D13/180**

(58) **Field of Classification Search** D13/180;
D26/2; 257/79, 80, 81, 88, 89, 95, 98, 99,
257/100; 313/483, 498, 500; 362/555, 800
See application file for complete search history.

(56) **References Cited**

U.S. PATENT DOCUMENTS

D489,691 S *	5/2004	Ishida	D13/180
D504,404 S *	4/2005	Ishida	D13/180
D527,352 S *	8/2006	Wu et al.	D13/180
D529,877 S *	10/2006	Inoue	D13/180

D578,491 S * 10/2008 Lee et al. D13/180
2007/0187709 A1 * 8/2007 Yamamoto 257/99

* cited by examiner

Primary Examiner—Selina Sikder

(74) *Attorney, Agent, or Firm*—Young & Thompson

(57) **CLAIM**

The ornamental design for a “light-emitting diode,” as shown and described.

DESCRIPTION

FIG. 1 is a perspective view of a “light-emitting diode” showing my design;

FIG. 2 is a front view thereof;

FIG. 3 is a back view thereof;

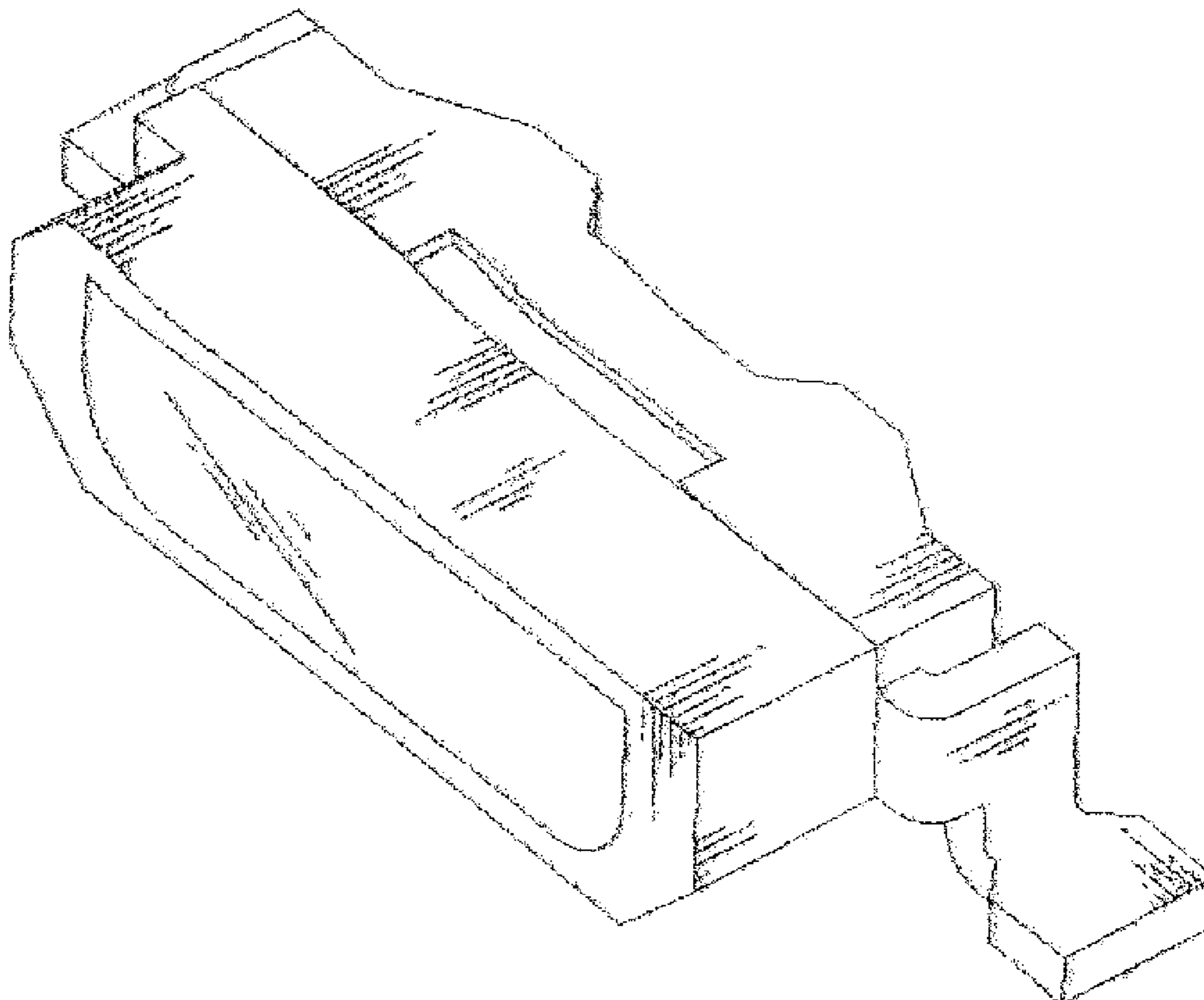
FIG. 4 is a left side view thereof;

FIG. 5 is a right side view thereof;

FIG. 6 is a top plan view thereof; and,

FIG. 7 is a bottom view thereof.

1 Claim, 6 Drawing Sheets



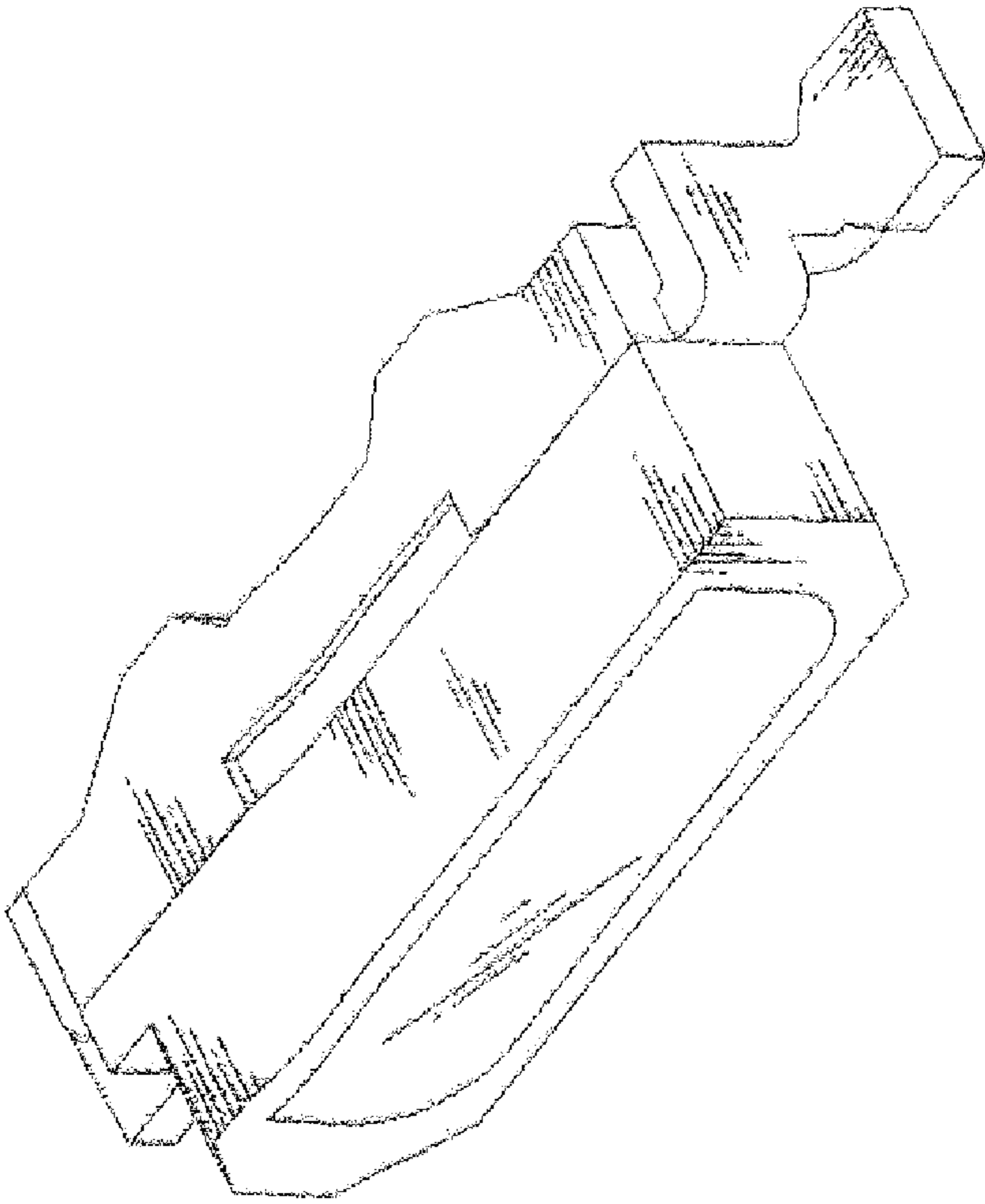


FIG. 1

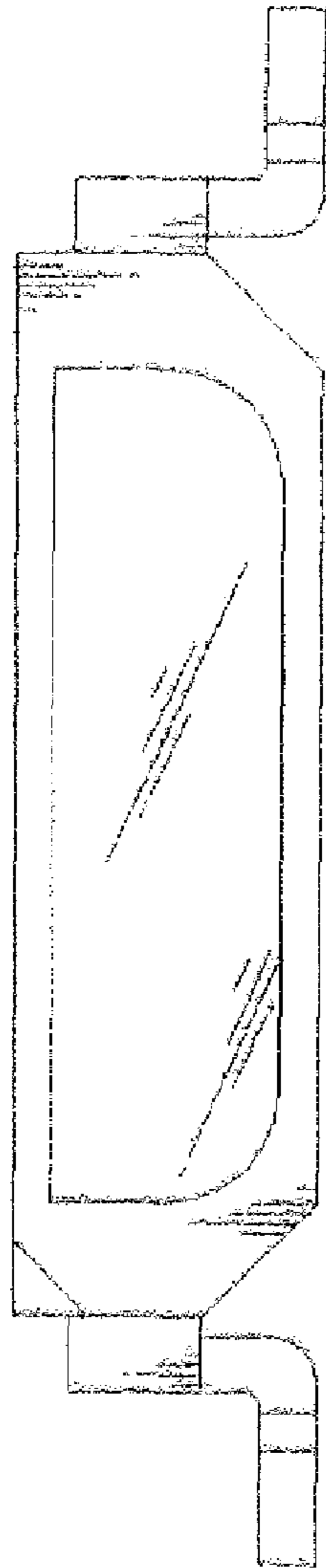


FIG. 2

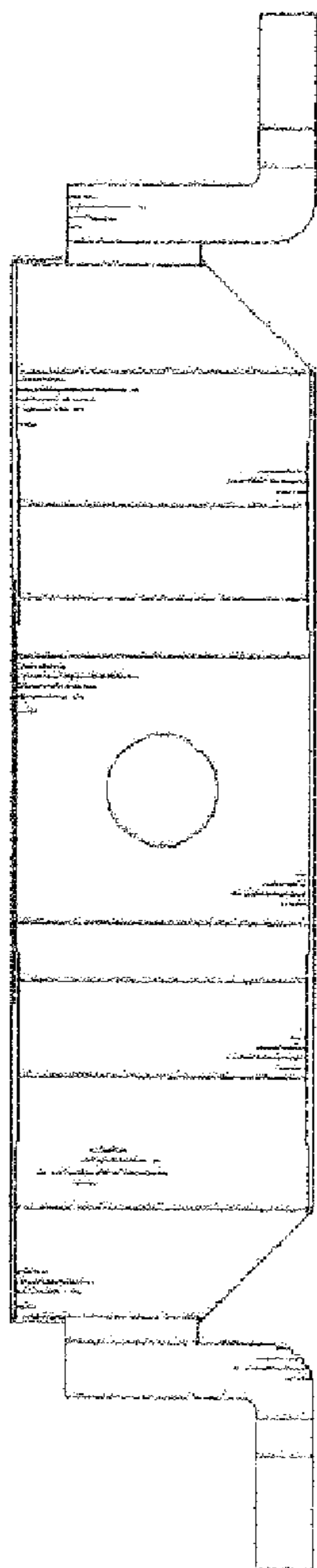


FIG. 3



FIG. 4



FIG. 5

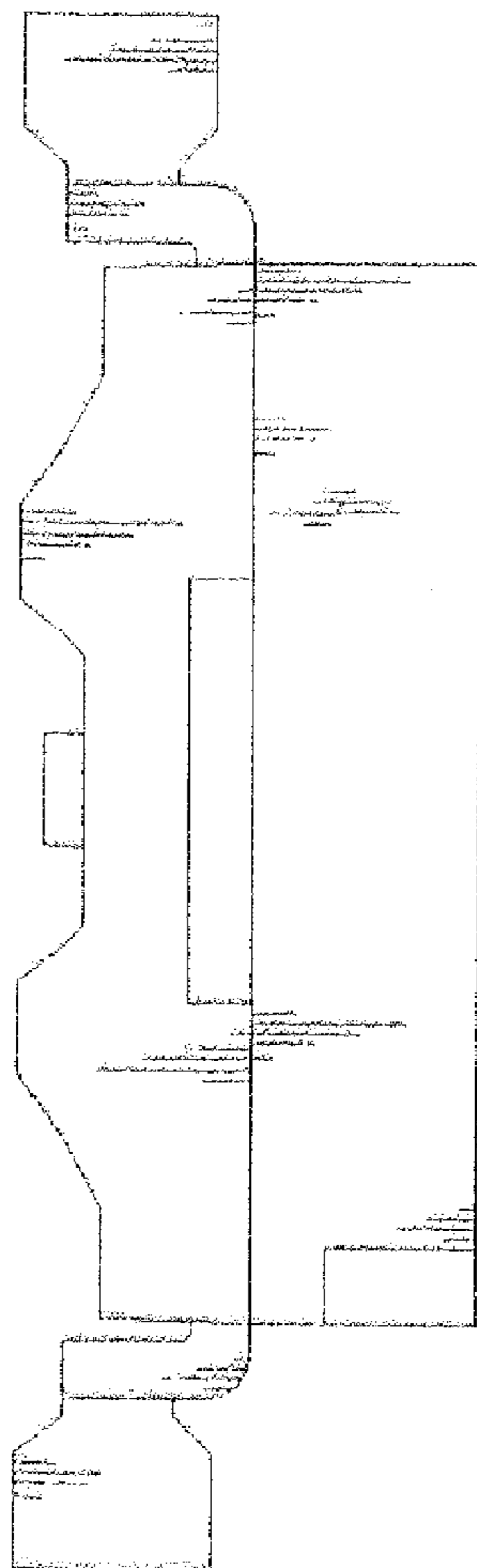


FIG. 6

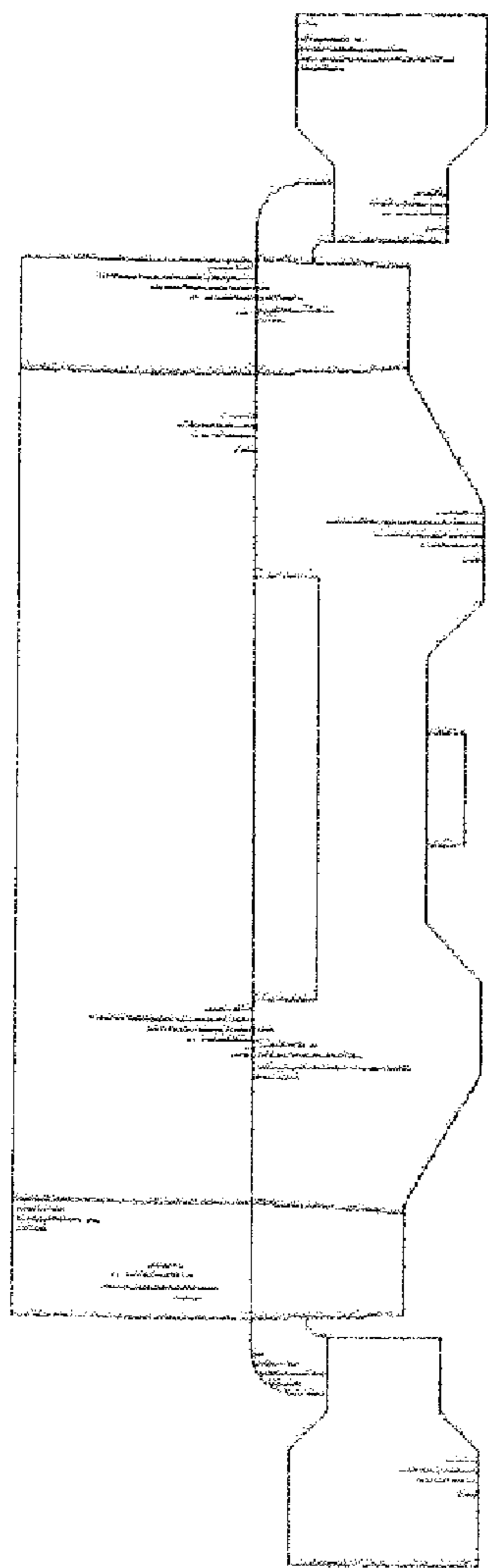


FIG. 7