



US00D592160S

(12) **United States Design Patent**  
**Kang et al.**

(10) **Patent No.:** **US D592,160 S**  
(45) **Date of Patent:** **\*\* May 12, 2009**

(54) **LIGHT EMITTING DIODE (LED)**  
(75) Inventors: **Min Soo Kang**, Ansan-Si (KR); **Bung Ki Pyo**, Ansan-Si (KR)  
(73) Assignee: **Seoul Semiconductor Co., Ltd.**, Seoul (KR)  
(\*\*) Term: **14 Years**  
(21) Appl. No.: **29/318,659**  
(22) Filed: **May 23, 2008**

(30) **Foreign Application Priority Data**  
Feb. 14, 2008 (KR) ..... 30-2008-0006243  
(51) **LOC (9) Cl.** ..... **13-03**  
(52) **U.S. Cl.** ..... **D13/180**  
(58) **Field of Classification Search** ..... D13/180;  
D26/2; 257/79, 80, 81, 88, 89, 95, 98, 99,  
257/100; 313/483, 498, 500; 362/555, 800  
See application file for complete search history.

(56) **References Cited**  
**U.S. PATENT DOCUMENTS**  
D505,661 S 5/2005 Suenaga  
D508,235 S 8/2005 Suenaga  
D510,914 S 10/2005 Suenaga  
D511,329 S 11/2005 Suenaga  
D512,384 S 12/2005 Suenaga  
D514,073 S 1/2006 Suenaga  
D515,043 S \* 2/2006 Ishizaka et al. .... D13/180  
D517,026 S \* 3/2006 Suenaga ..... D13/180  
D517,027 S 3/2006 Suenaga  
D520,965 S \* 5/2006 Omata ..... D13/180  
D559,804 S \* 1/2008 Lee ..... D13/180  
2003/0116769 A1 \* 6/2003 Song et al. .... 257/79  
2007/0108460 A1 \* 5/2007 Lee et al. .... 257/98  
2007/0241357 A1 \* 10/2007 Yan ..... 257/98  
2007/0246715 A1 \* 10/2007 Shin et al. .... 257/79  
2007/0267637 A1 \* 11/2007 Kim et al. .... 257/81

**FOREIGN PATENT DOCUMENTS**  
JP D1149347 6/2002  
JP D1149349 6/2002  
JP D1149350 6/2002  
JP D1149351 6/2002  
JP D1176639 4/2003

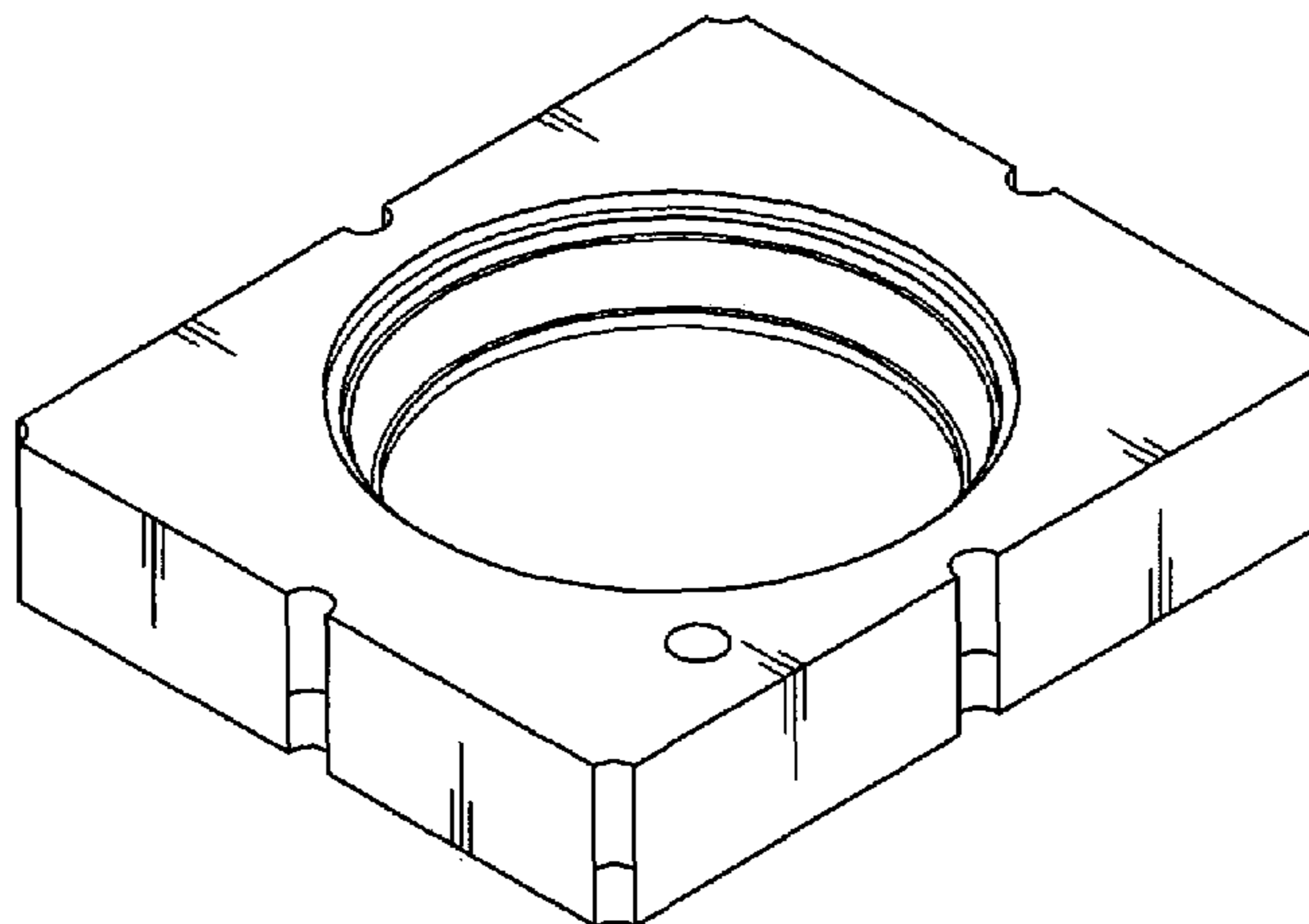
JP D1218300 8/2004  
JP D1218301 8/2004  
JP D1218302 8/2004  
JP D1218687 8/2004  
JP D1218688 8/2004  
JP D1218689 8/2004  
JP D1239124 3/2005  
JP D1239571 3/2005  
JP D1239572 3/2005  
JP D1239573 3/2005  
KR 3002991090000 5/2002  
KR 3003516490000 4/2004  
KR 3003516490001 4/2004  
KR 3003516490002 4/2004  
KR 3003516500000 4/2004  
KR 3003516500001 4/2004  
KR 3003516500003 4/2004  
KR 3003516500004 4/2004  
KR 3003516500005 4/2004  
KR 3003626930000 9/2004  
KR 3003626930001 9/2004  
KR 3003626930002 9/2004  
KR 3003626930003 9/2004  
KR 3003626930004 9/2004

\* cited by examiner  
*Primary Examiner*—Selina Sikder  
(74) *Attorney, Agent, or Firm*—H.C. Park & Associates, PLC

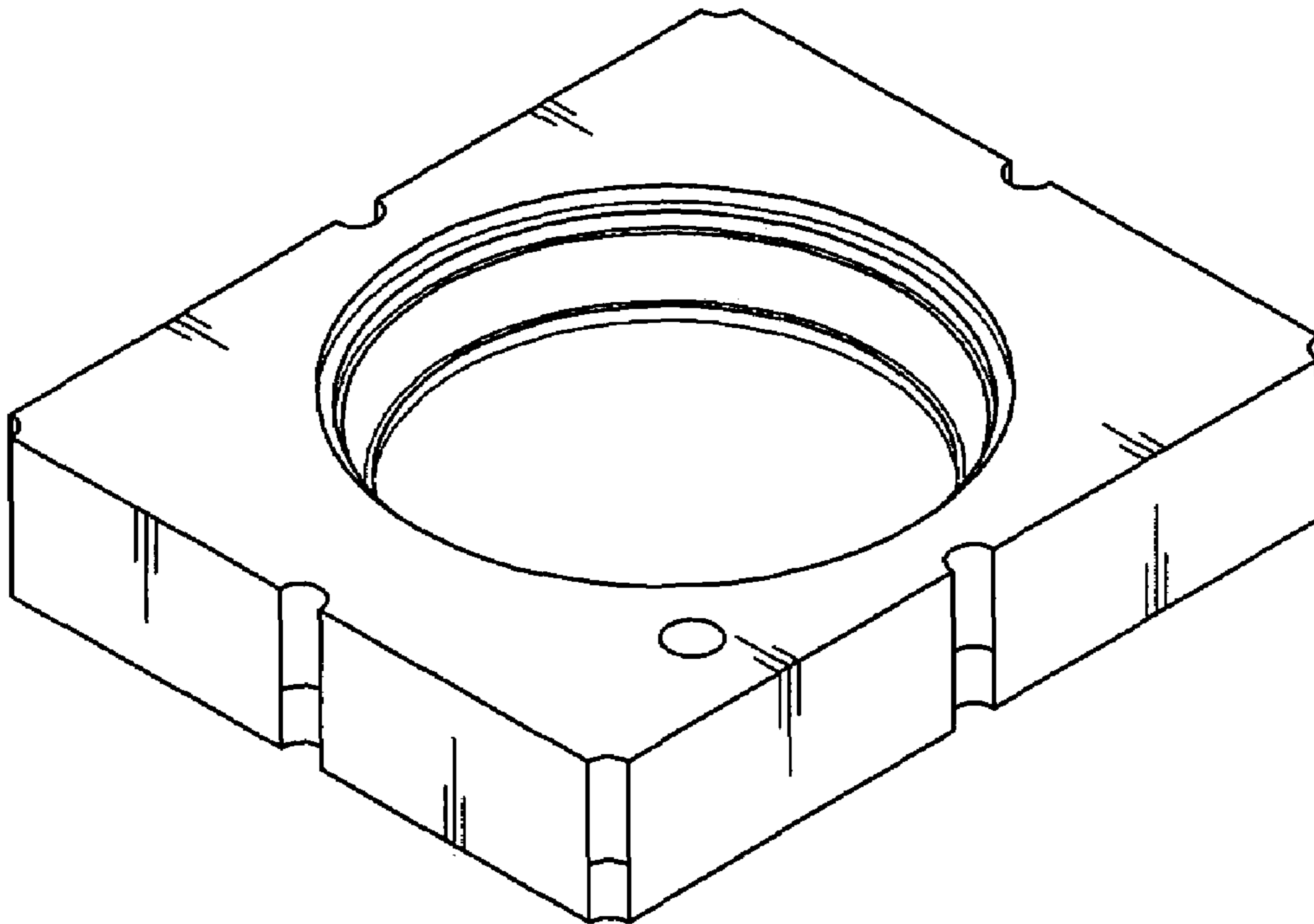
(57) **CLAIM**  
The ornamental design for a light emitting diode (LED), as shown and described.

**DESCRIPTION**  
FIG. 1 is a perspective view of light emitting diode  
FIG. 2 is a front elevational view thereof. (\*A rear elevational view is identical to the front view.)  
FIG. 3 is a left side elevational view thereof. (\*A right side view is symmetrical with the left side view.)  
FIG. 4 is a top plan view thereof.  
FIG. 5 is a bottom plan view thereof; and,  
FIG. 6 is a sectional view taken along line 6—6 in FIG. 4.

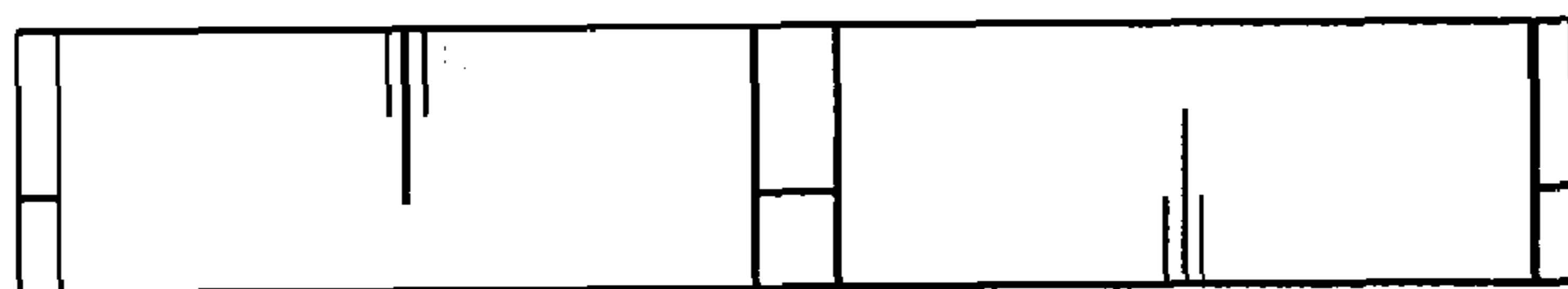
**1 Claim, 3 Drawing Sheets**



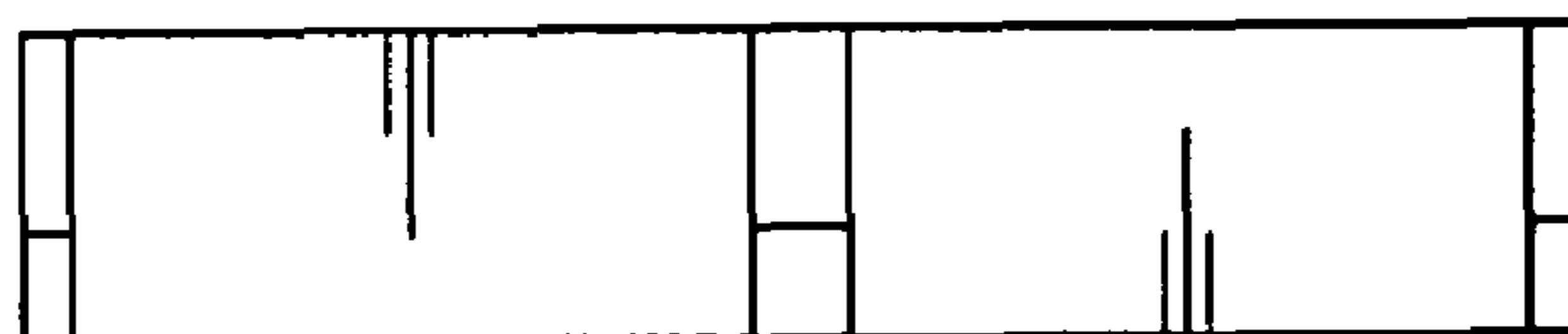
**FIG. 1**



**FIG. 2**



**FIG. 3**



**FIG. 4**

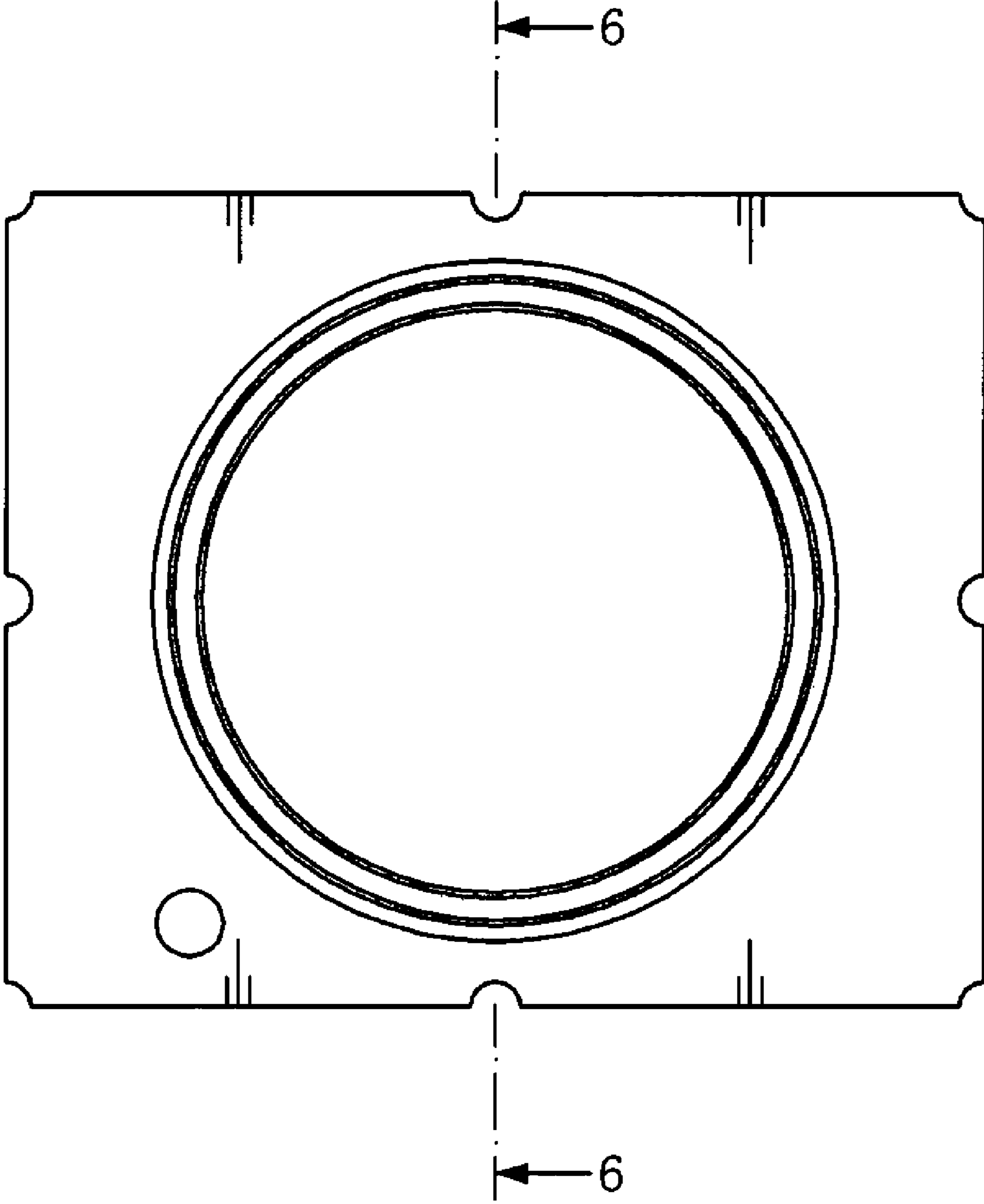


FIG. 5

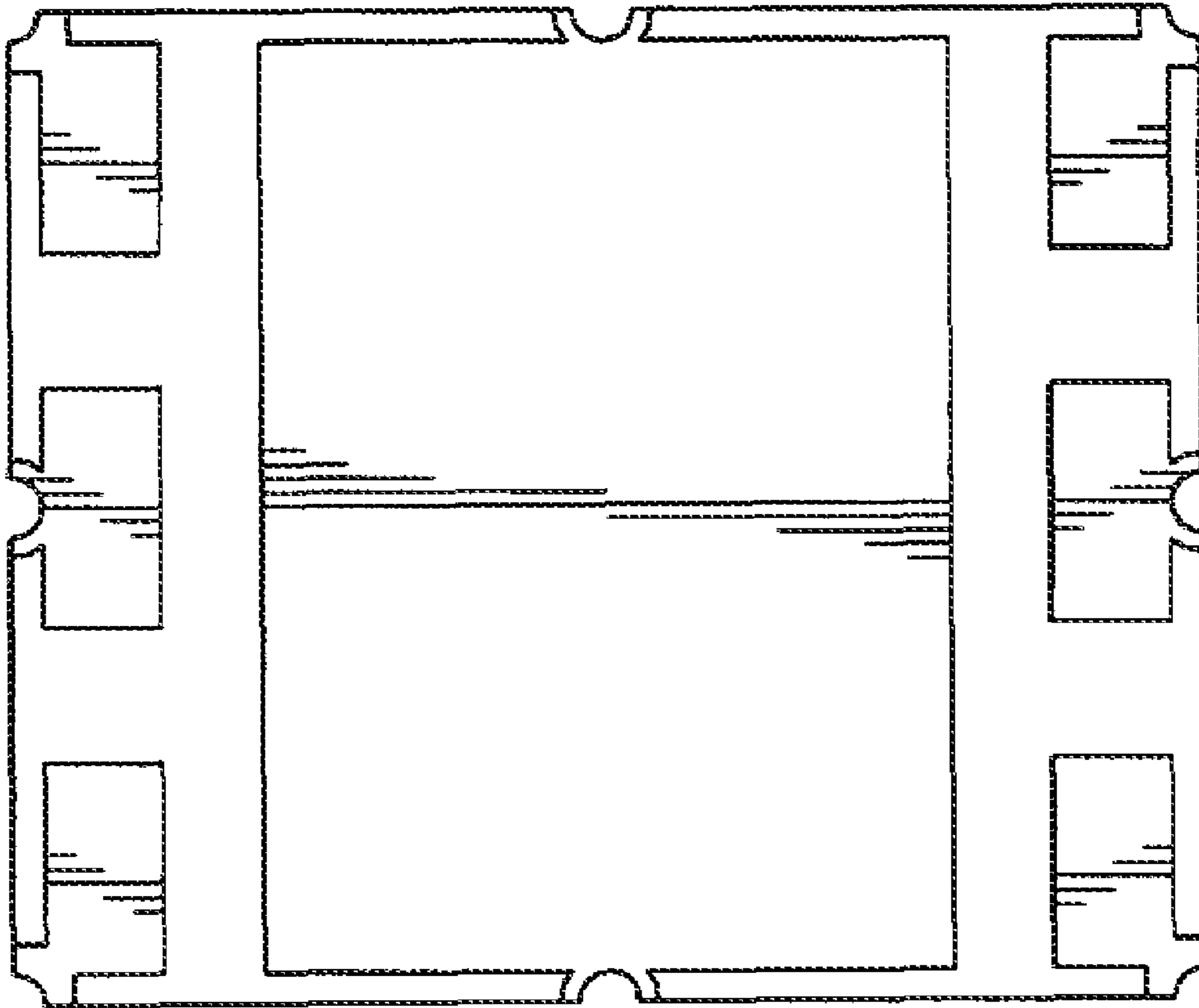


FIG. 6

