



US00D592159S

(12) **United States Design Patent**
Ono et al.

(10) **Patent No.:** **US D592,159 S**
(45) **Date of Patent:** **** May 12, 2009**

(54) **LIGHT EMITTING DIODE**

(75) Inventors: **Masato Ono**, Kanagawa (JP); **Hiroshi Miyairi**, Kanagawa (JP); **Masaru Kato**, Kanagawa (JP); **Kazunori Watanabe**, Kanagawa (JP)

(73) Assignee: **Nichia Corporation**, Anan-shi (JP)

(**) Term: **14 Years**

(21) Appl. No.: **29/318,361**

(22) Filed: **May 19, 2008**

Related U.S. Application Data

(62) Division of application No. 29/266,467, filed on Sep. 22, 2006, now Pat. No. Des. 572,670.

(30) **Foreign Application Priority Data**

Mar. 20, 2006	(JP)	2006-008068
Mar. 30, 2006	(JP)	2006-008059
Mar. 30, 2006	(JP)	2006-008061
Mar. 30, 2006	(JP)	2006-008067
Mar. 30, 2006	(JP)	2006-008069
Mar. 30, 2006	(JP)	2006-008070
Mar. 30, 2006	(JP)	2006-008071
Mar. 30, 2006	(JP)	2006-008072
Mar. 30, 2006	(JP)	2006-008073
Mar. 30, 2006	(JP)	2006-008074
Mar. 30, 2006	(JP)	2006-008075

(51) **LOC (9) Cl.** **13-03**

(52) **U.S. Cl.** **D13/180**

(58) **Field of Classification Search** D13/180;
D26/2; 257/79, 80, 81, 88, 89, 95, 98, 99,
257/100; 313/483, 498, 500; 362/555, 800
See application file for complete search history.

(56) **References Cited**

U.S. PATENT DOCUMENTS

6,429,464	B1	8/2002	Lin
6,720,581	B2	4/2004	Ozawa
D491,898	S	6/2004	Kamada
D524,260	S	7/2006	Ishizaka et al.
7,224,000	B2	5/2007	Aanegola et al.
7,262,438	B2	8/2007	Mok et al.

D572,670	S	*	7/2008	Ono et al.	D13/180
D572,671	S	*	7/2008	Okada et al.	D13/180
2004/0126913	A1		7/2004	Loh		
2004/0257817	A1		12/2004	Philipp		
2005/0242708	A1		11/2005	Keong et al.		
2006/0001361	A1		1/2006	Imai et al.		
2006/0220049	A1		10/2006	Flaherty et al.		
2006/0273338	A1		12/2006	Lee et al.		
2006/0284209	A1		12/2006	Kim et al.		
2006/0284305	A1		12/2006	Yen et al.		
2006/0291203	A1		12/2006	Anandan		

* cited by examiner

Primary Examiner—Selina Sikder

(74) *Attorney, Agent, or Firm*—Global IP Counselors, LLP

(57) **CLAIM**

The ornamental design for a light emitting diode, as shown and described.

DESCRIPTION

FIG. 1 is a front top side perspective view of a light emitting diode in accordance with an embodiment of my new design;

FIG. 2 is a top plan view of the light emitting diode in accordance with the embodiment of my new design;

FIG. 3 is a front elevational view of the light emitting diode in accordance with the embodiment of my new design;

FIG. 4 is a rear elevational view of the light emitting diode in accordance with the embodiment of my new design;

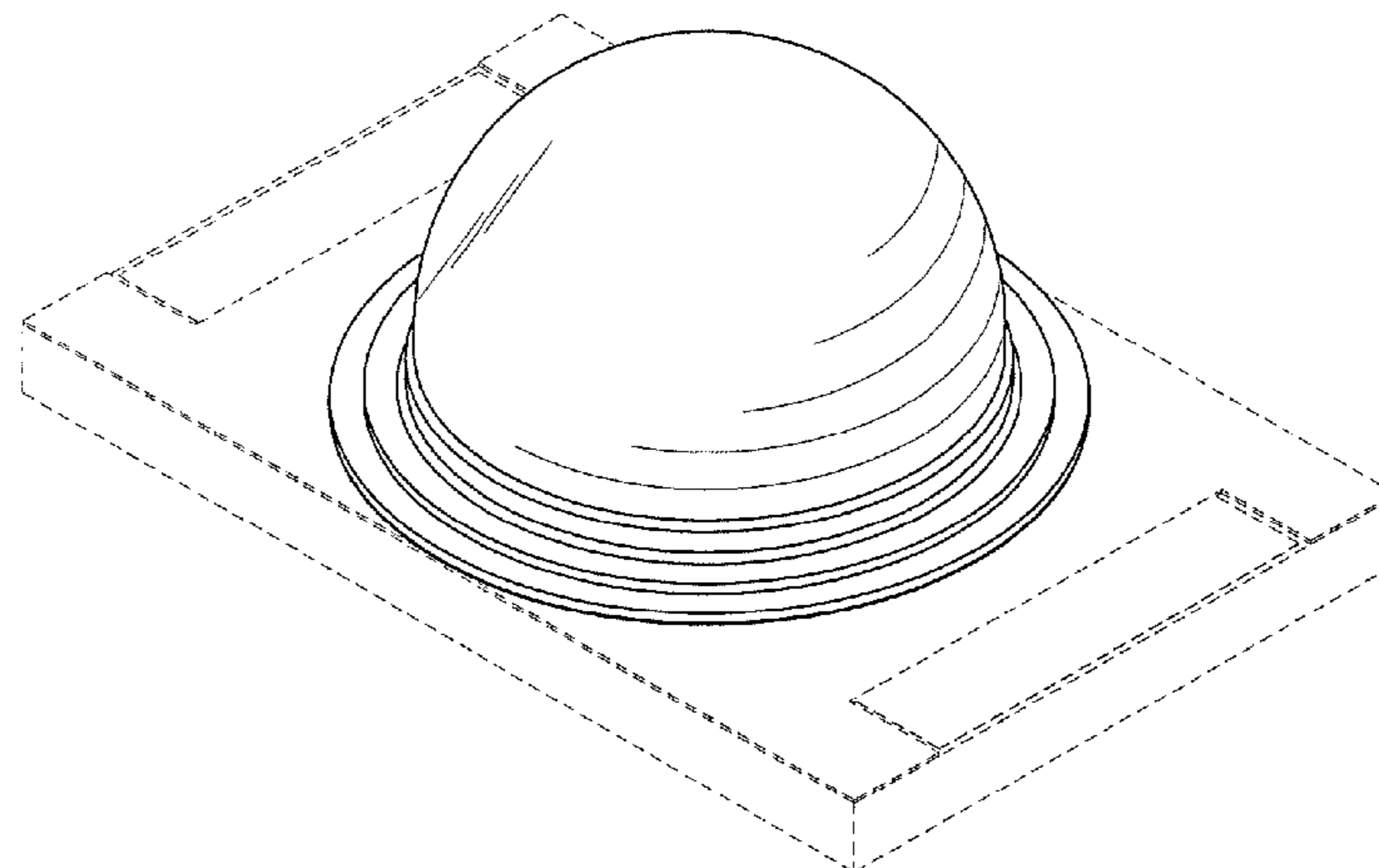
FIG. 5 is a left side end elevational view of the light emitting diode in accordance with the embodiment of my new design; and,

FIG. 6 is a right side end elevational view of the light emitting diode in accordance with the embodiment of my new design.

The broken line showing of environment (the remaining structure of the light emitting diode) in the Figures is for illustrative purposes only and forms no part of the claimed design.

The opaque line shading illustrates a translucent portion of the light emitting diode.

1 Claim, 3 Drawing Sheets



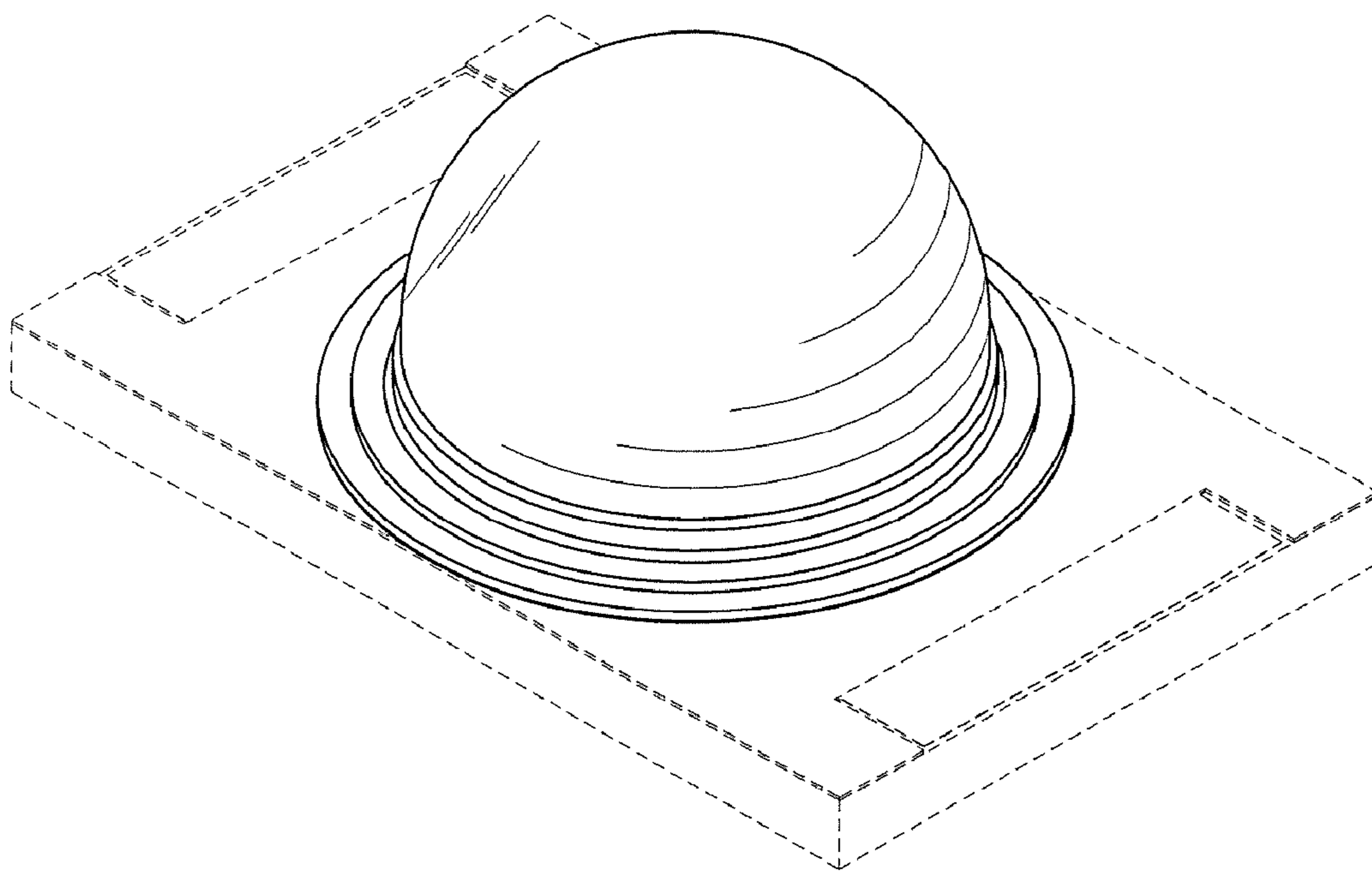


FIG. 1

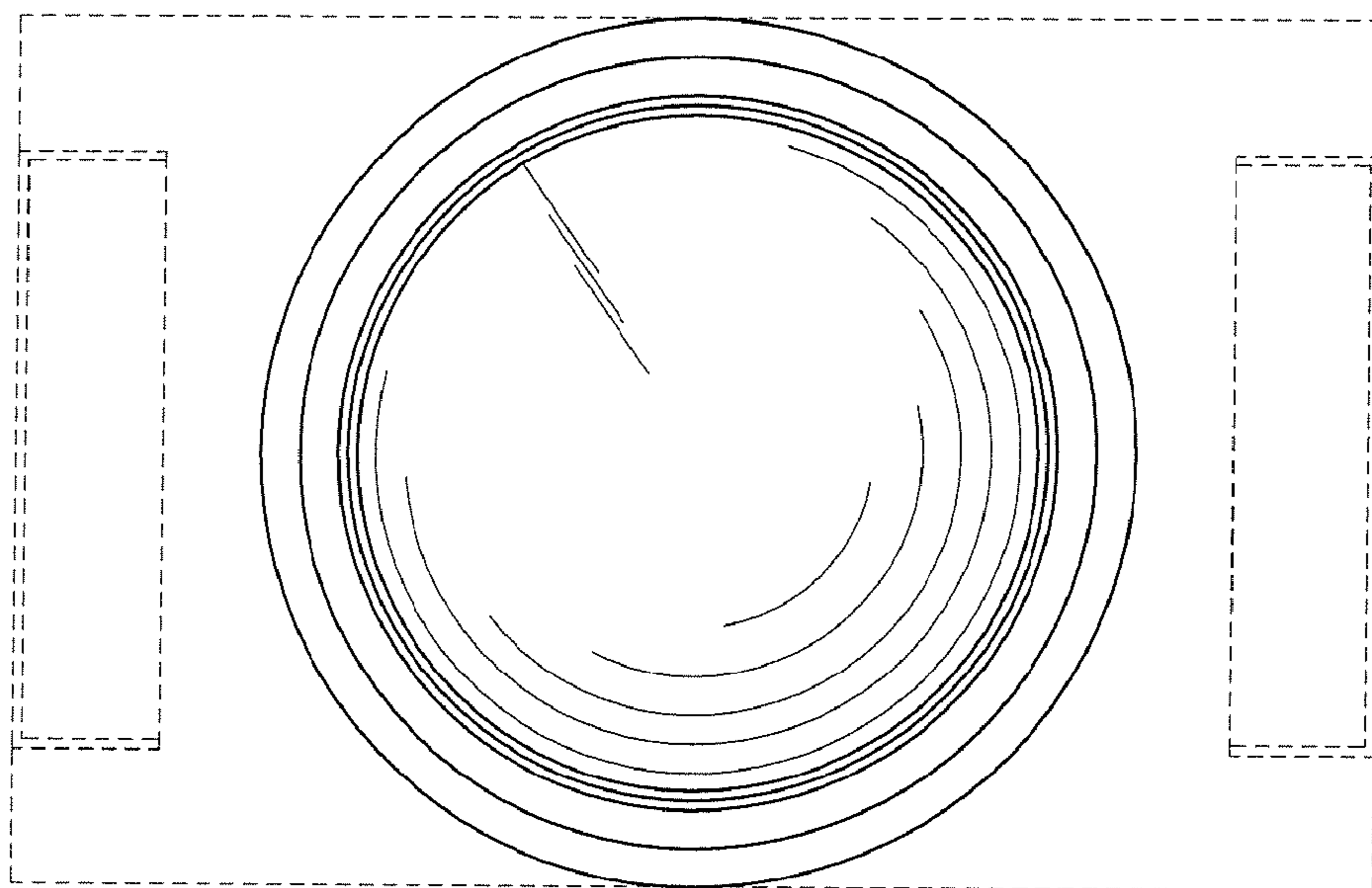


FIG. 2

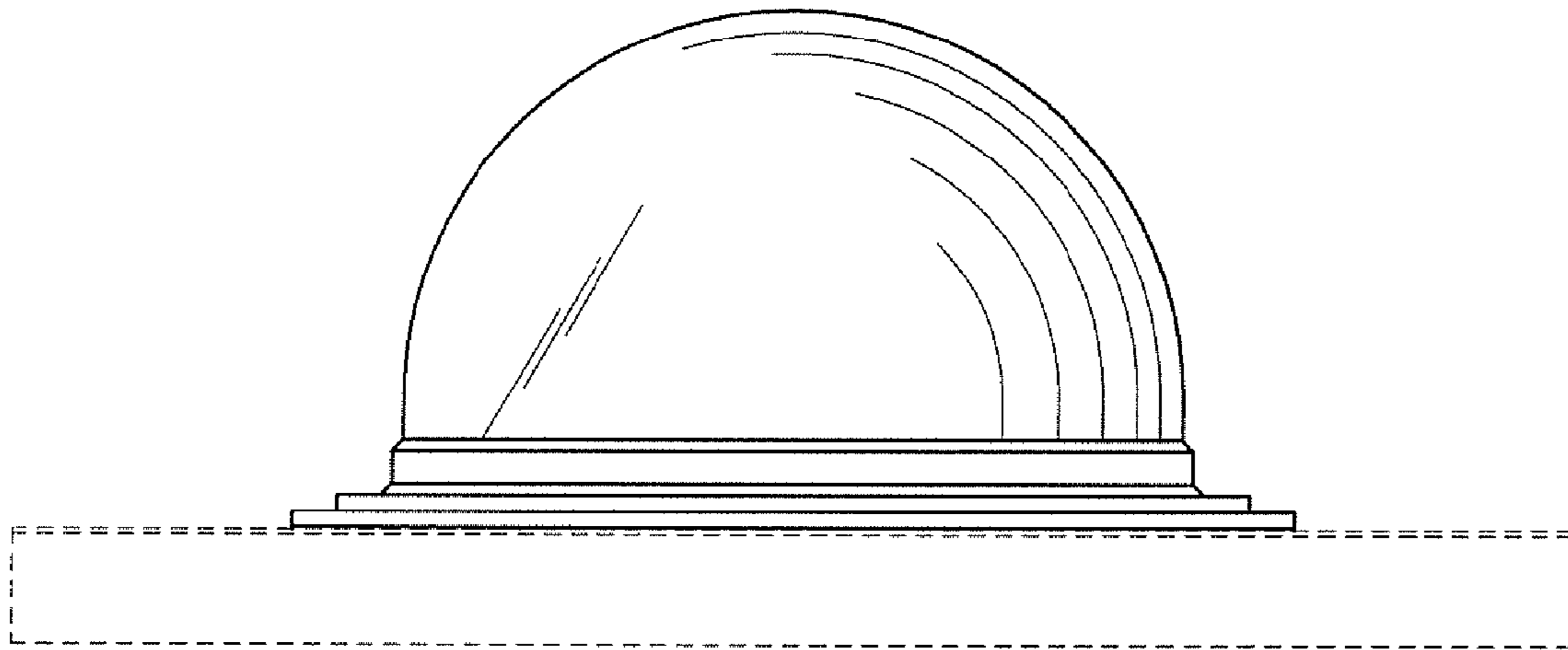


FIG. 3

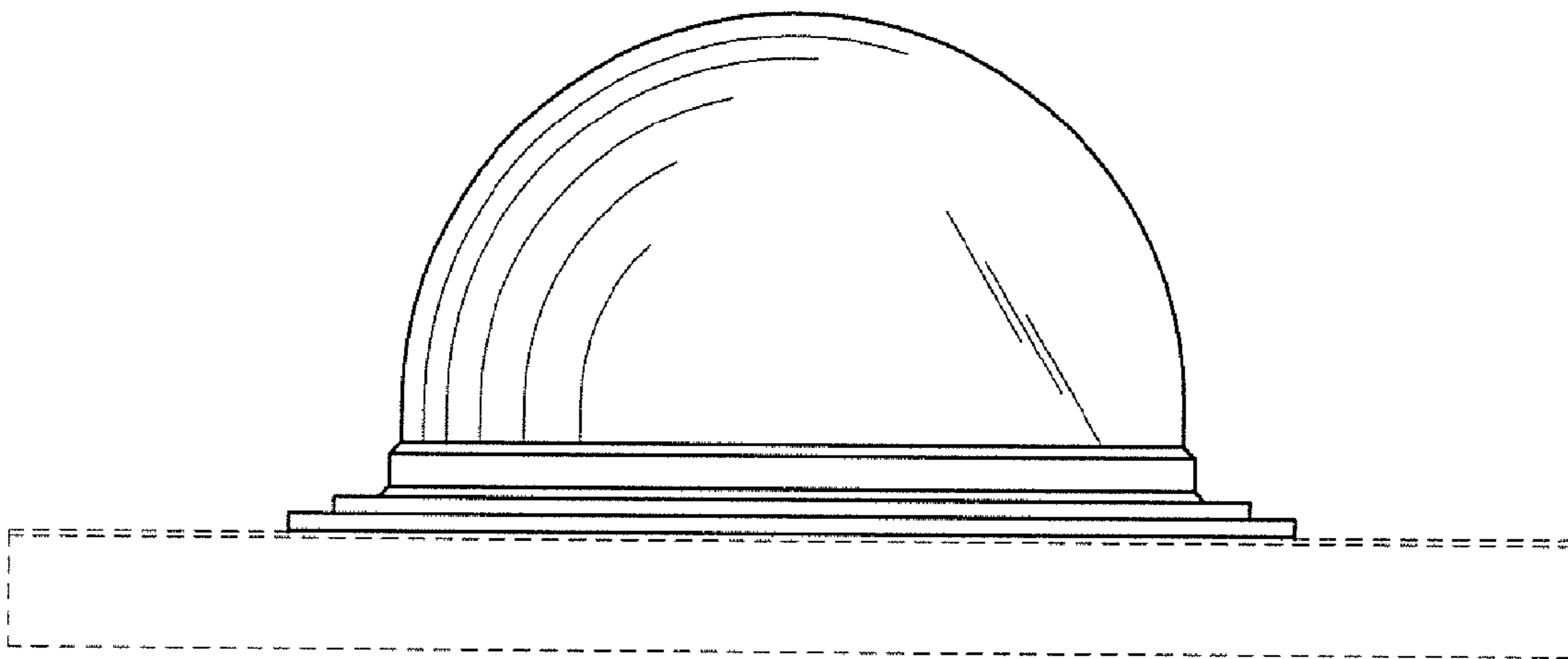


FIG. 4

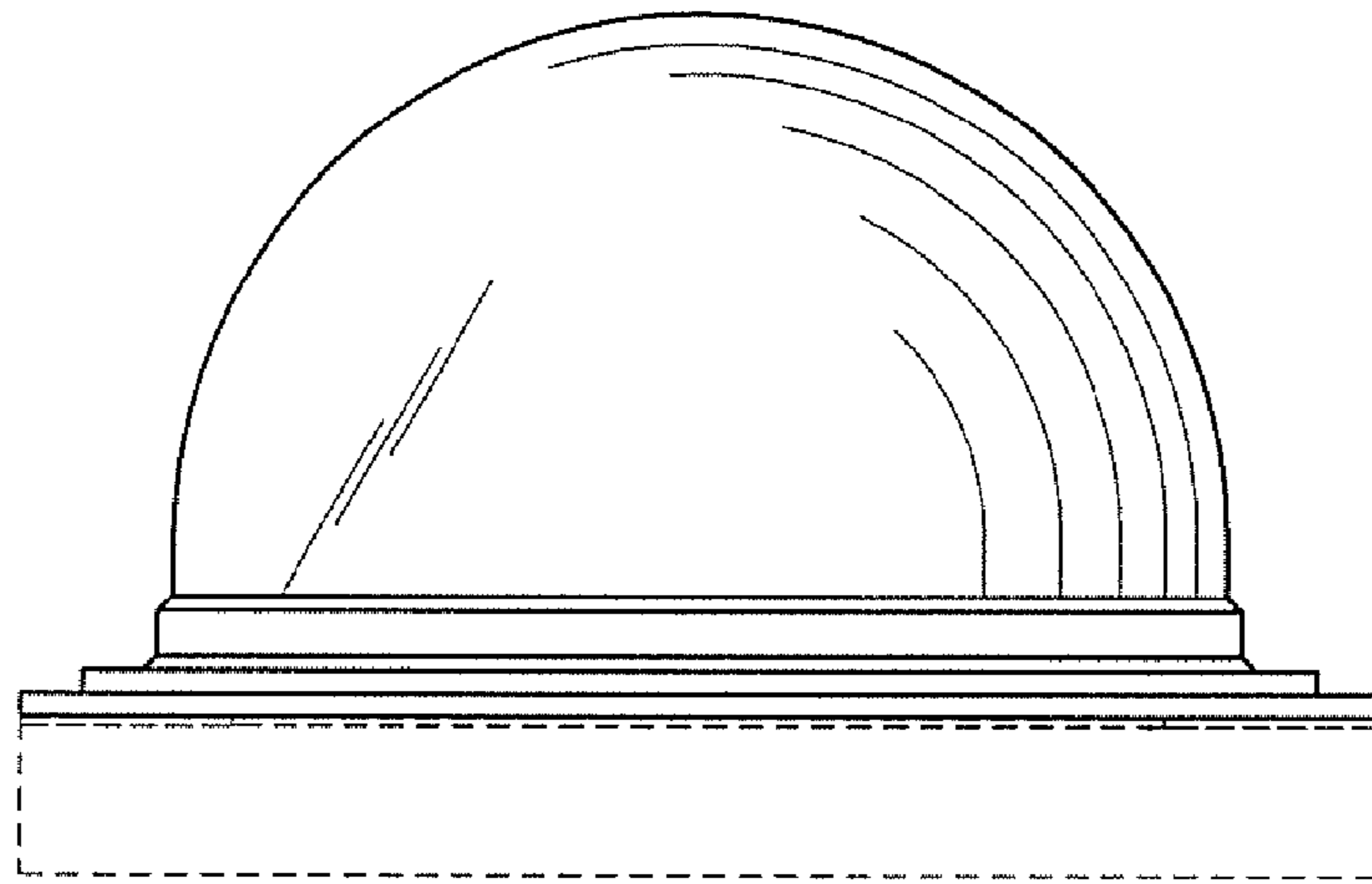


FIG. 5

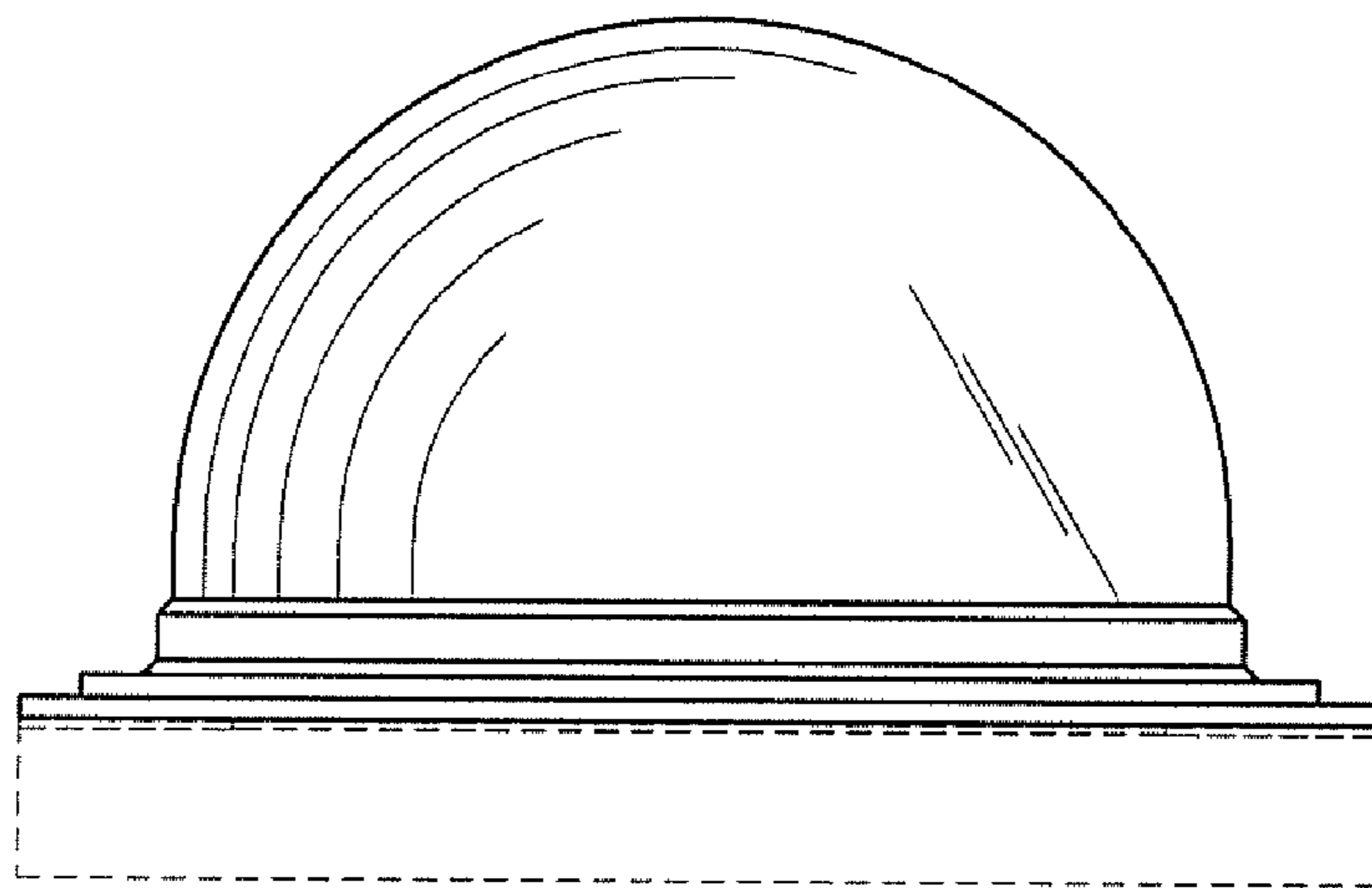


FIG. 6