



US00D592157S

(12) **United States Design Patent**
Shields et al.

(10) **Patent No.:** **US D592,157 S**

(45) **Date of Patent:** **** May 12, 2009**

(54) **WIRELESS FOOTSWITCH**

(75) Inventors: **Gregory Shields**, Saratoga Springs, UT (US); **Robert H. Woodward**, Lindon, UT (US)

(73) Assignee: **Canyon Ridge Resources, L.L.C.**, Lindon, UT (US)

(**) Term: **14 Years**

(21) Appl. No.: **29/321,041**

(22) Filed: **Jul. 9, 2008**

(51) **LOC (9) Cl.** **13-03**

(52) **U.S. Cl.** **D13/167**

(58) **Field of Classification Search** D13/158, D13/167, 175; 200/61.09, 61.89, 86.5, 86 R, 200/43.1; 74/512, 561; D15/72; D24/179; 297/71, 330; 338/153; 433/101; D17/20
See application file for complete search history.

(56) **References Cited**

U.S. PATENT DOCUMENTS

D319,158 S * 8/1991 Jones et al. D6/491
D517,501 S * 3/2006 Kotyk D13/167

D525,246 S * 7/2006 Nakanishi D14/419
D542,739 S * 5/2007 Pollard D13/167
7,428,439 B1 * 9/2008 Reynolds et al. 700/17
2003/0004497 A1 * 1/2003 Chappuis 606/1
2005/0172404 A1 * 8/2005 Diller et al. 5/616

* cited by examiner

Primary Examiner—Daniel D Bui

Assistant Examiner—Thomas J Johannes

(74) *Attorney, Agent, or Firm*—Thorpe North & Western LLP

(57) **CLAIM**

What is claimed is the ornamental design for a wireless footswitch, as shown and described herein.

DESCRIPTION

FIG. 1 is an elevated, perspective view of the wireless footswitch in accordance with our invention;

FIG. 2 is a front view thereof;

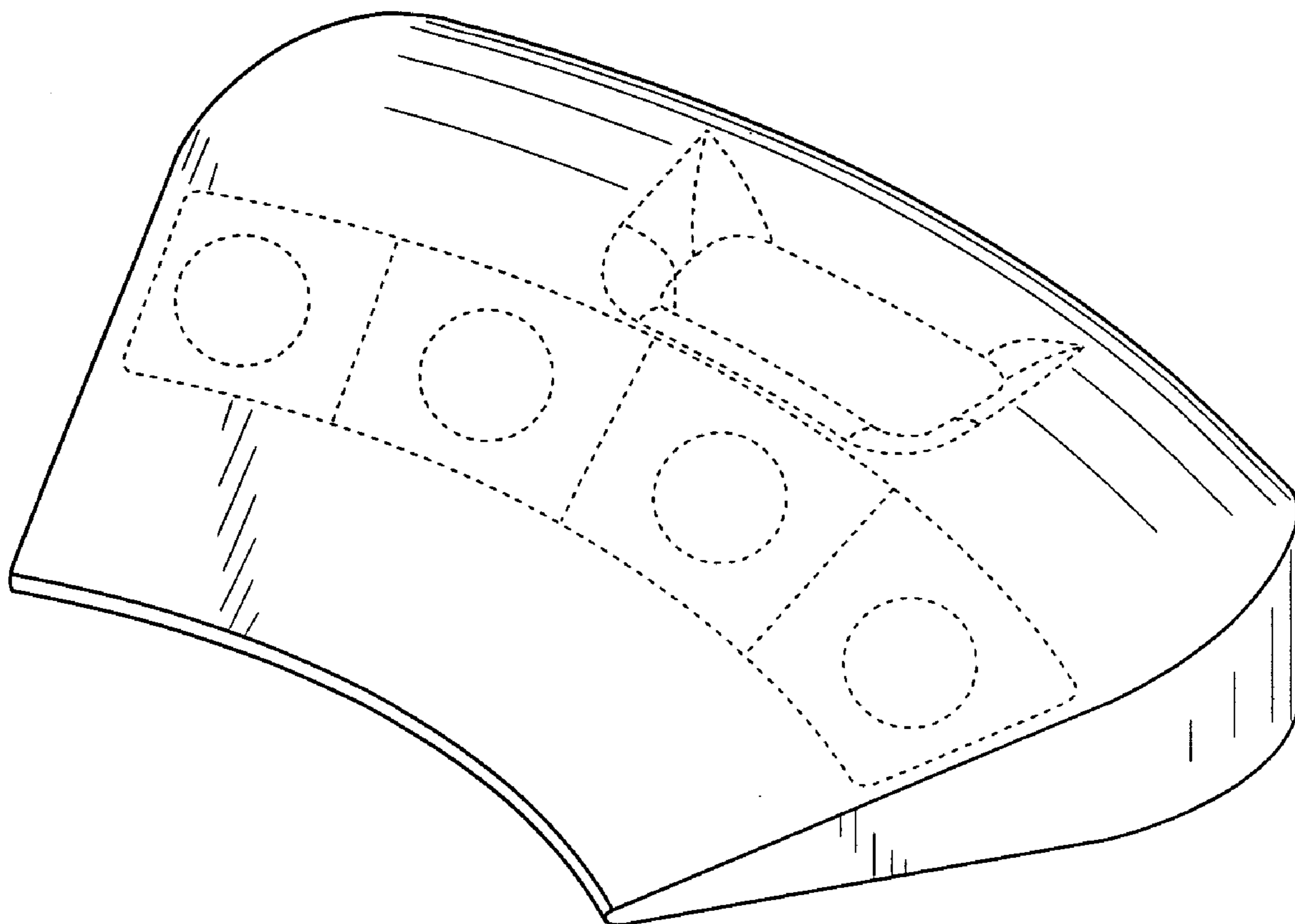
FIG. 3 is a side view thereof;

FIG. 4 is an opposing side view thereof;

FIG. 5 is a top view thereof; and,

FIG. 6 is a bottom view of the invention as shown FIG. 1.

1 Claim, 4 Drawing Sheets



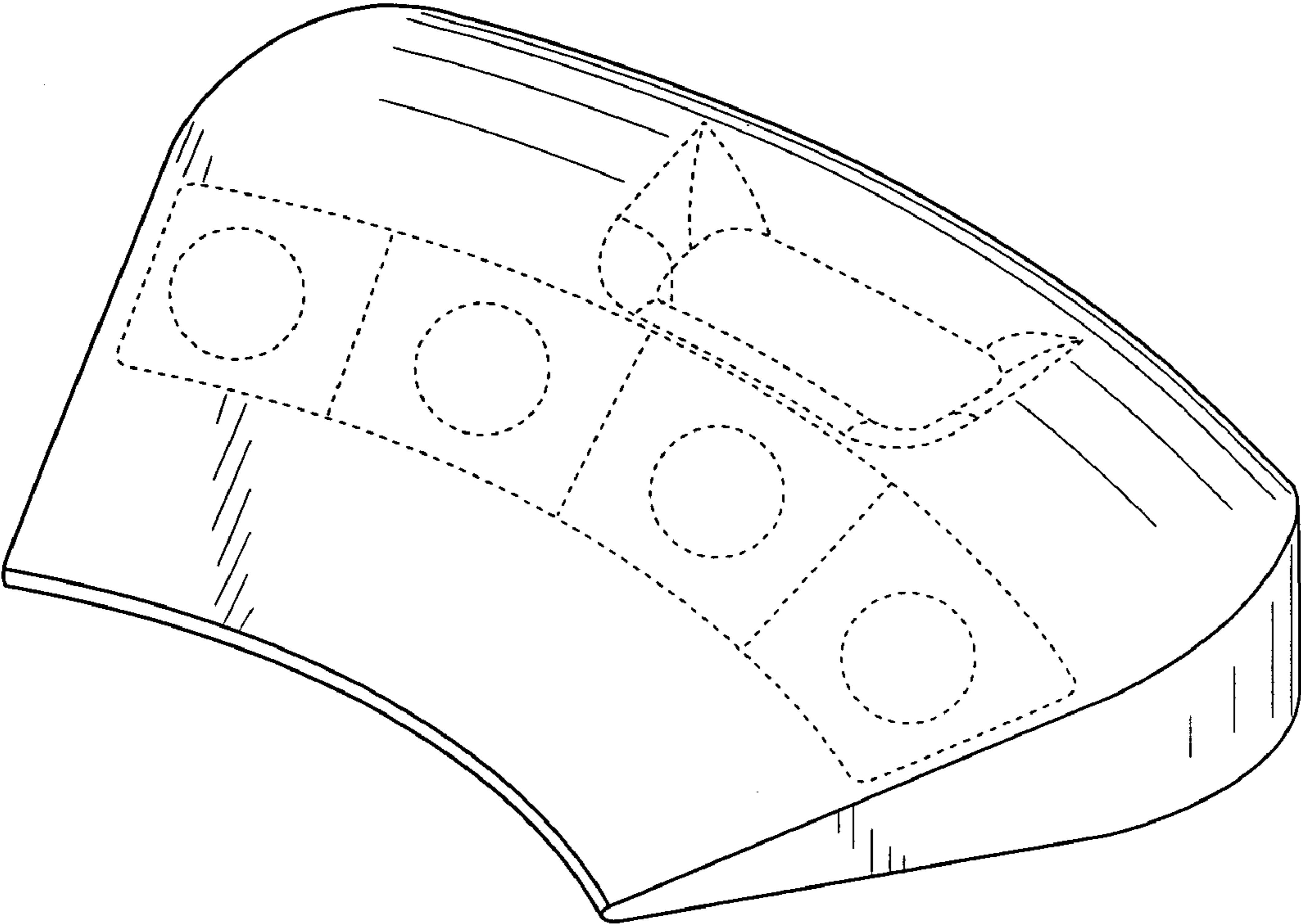


FIG. 1

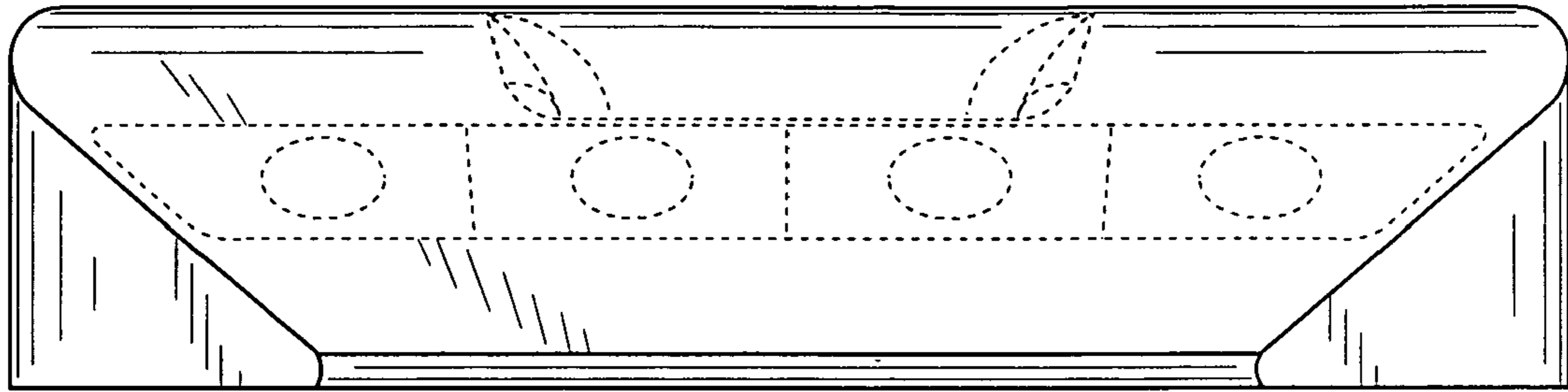


FIG. 2

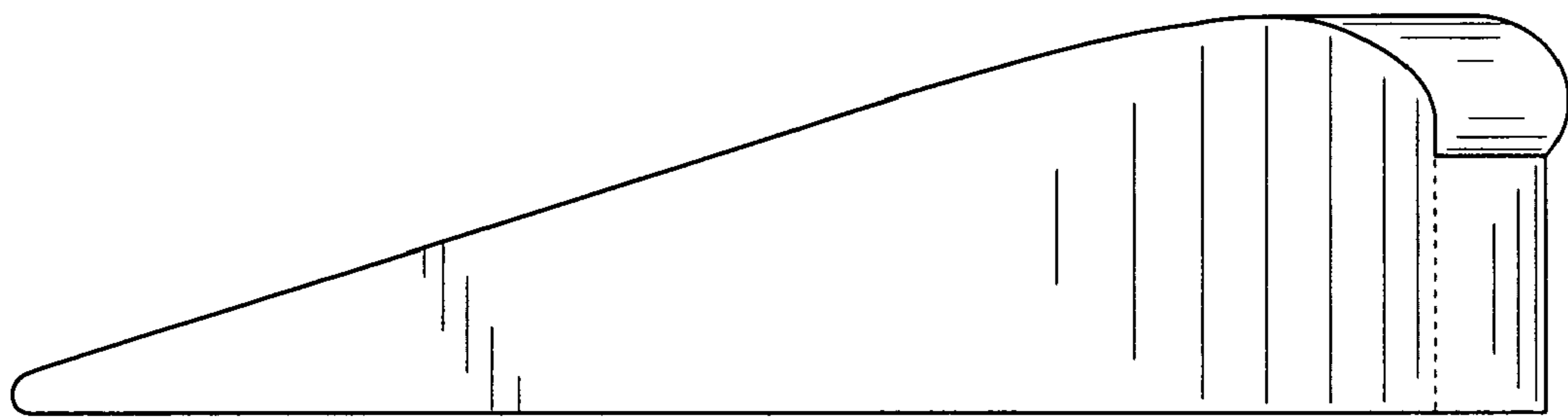


FIG. 3

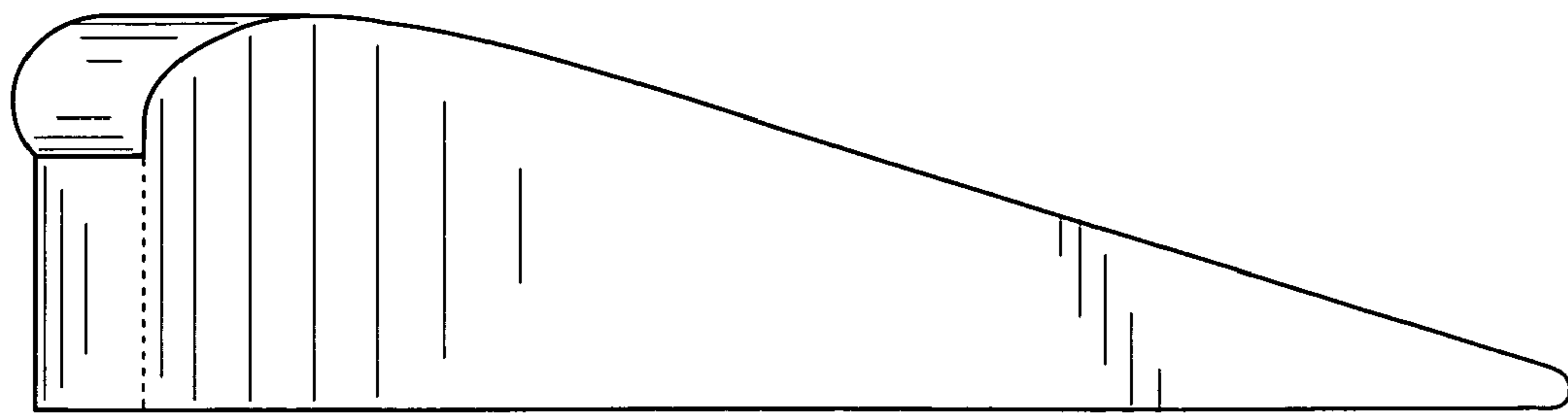


FIG. 4

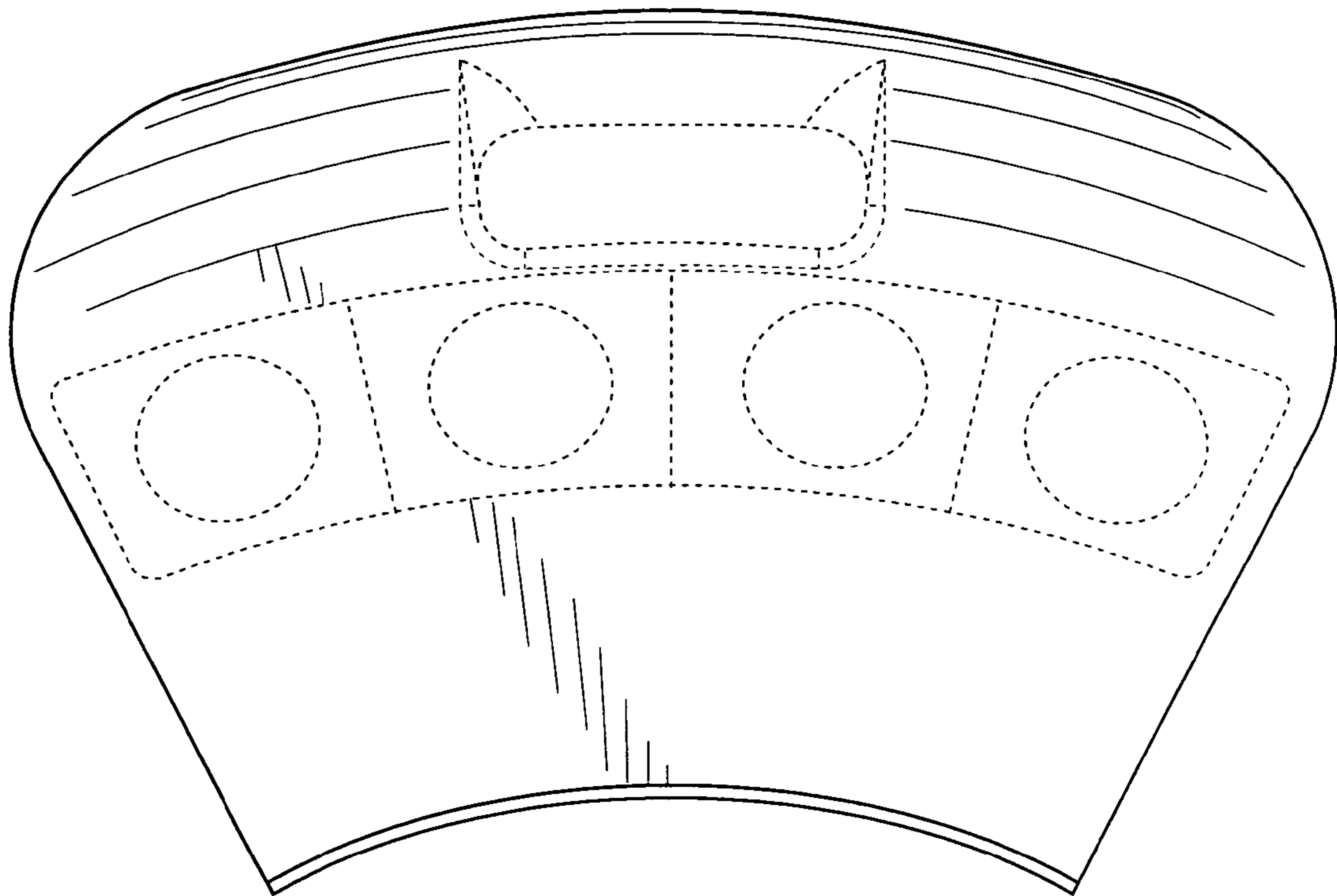


FIG. 5

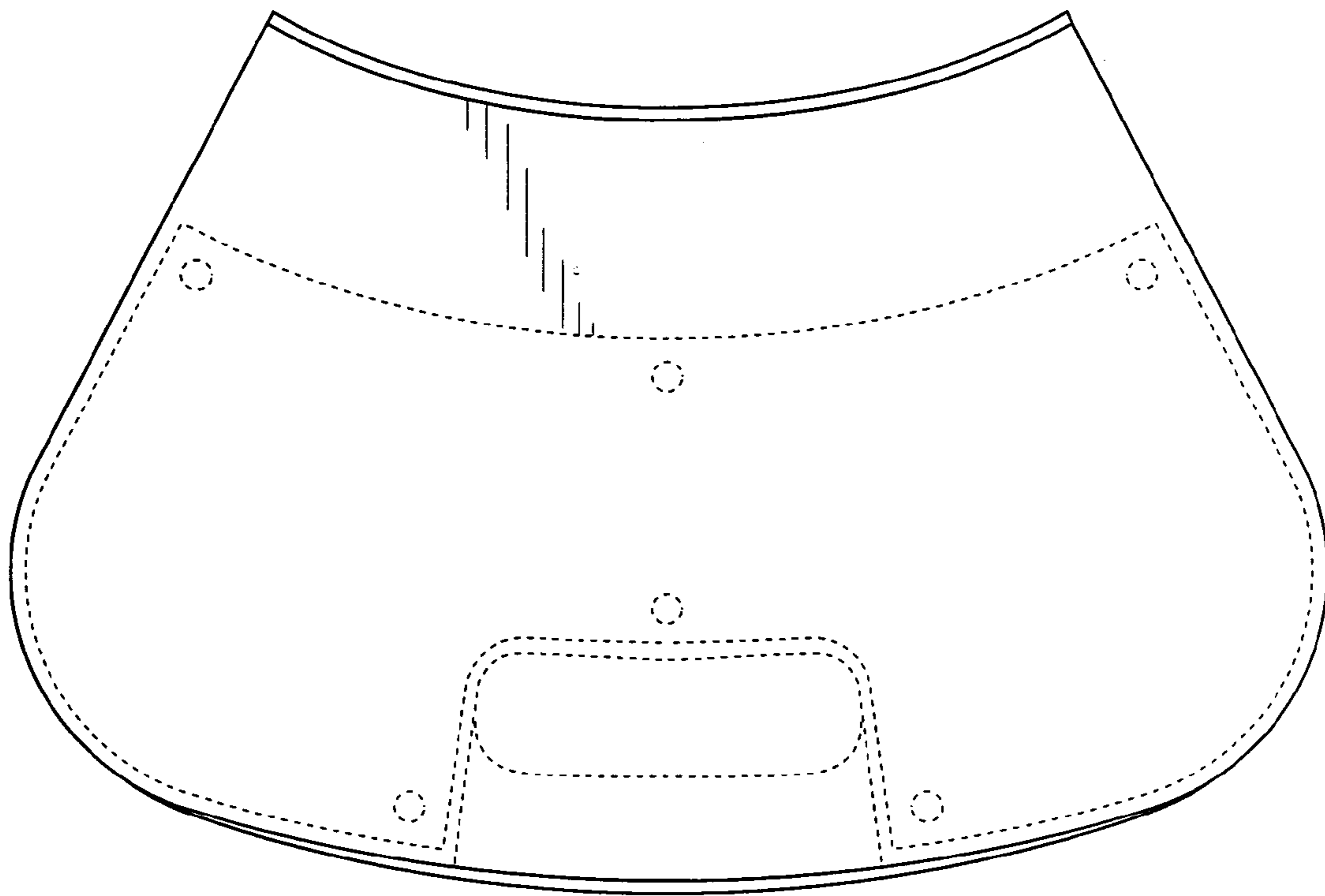


FIG. 6