

US00D592152S

(12) **United States Design Patent**
Lin

(10) **Patent No.:** **US D592,152 S**

(45) **Date of Patent:** **** May 12, 2009**

(54) **HEAT OVERLOAD RELAY**

D498,464 S * 11/2004 Kim D13/160
2006/0070862 A1* 4/2006 Dumont 200/50.35

(75) Inventor: **Xiaomin Lin**, Yueqing (CN)

* cited by examiner

(73) Assignee: **Zhe Jiang Zhengjie Industry Electric Co., Ltd.**, Zhanjiang Province

Primary Examiner—Daniel D Bui
Assistant Examiner—Thomas J Johannes

(**) Term: **14 Years**

(74) *Attorney, Agent, or Firm*—Birch, Stewart, Kolasch & Birch, LLP

(21) Appl. No.: **29/292,793**

(57) **CLAIM**

(22) Filed: **Oct. 29, 2007**

The ornamental design for the heat overload relay, as shown and described.

(30) **Foreign Application Priority Data**

Apr. 29, 2007 (CN) 2007 3 0033392

DESCRIPTION

(51) **LOC (9) Cl.** **13-03**

FIG. 1 is a top plan view of a heat overload relay showing my new design;

(52) **U.S. Cl.** **D13/159**

FIG. 2 is a left side view thereof;

(58) **Field of Classification Search** D13/158,
D13/159, 160; 200/237, 293, 297, 302.3
See application file for complete search history.

FIG. 3 is a right side view thereof;

FIG. 4 is a bottom plan view thereof;

(56) **References Cited**

U.S. PATENT DOCUMENTS

D315,333 S * 3/1991 Barbier et al. D13/160
D359,948 S * 7/1995 Merlin D13/160
D387,735 S * 12/1997 Bender D13/159
D406,106 S * 2/1999 Gonser D13/160
D406,262 S * 3/1999 Gonser D13/160
D406,565 S * 3/1999 Gonser D13/159
D420,648 S * 2/2000 Cornu D13/158

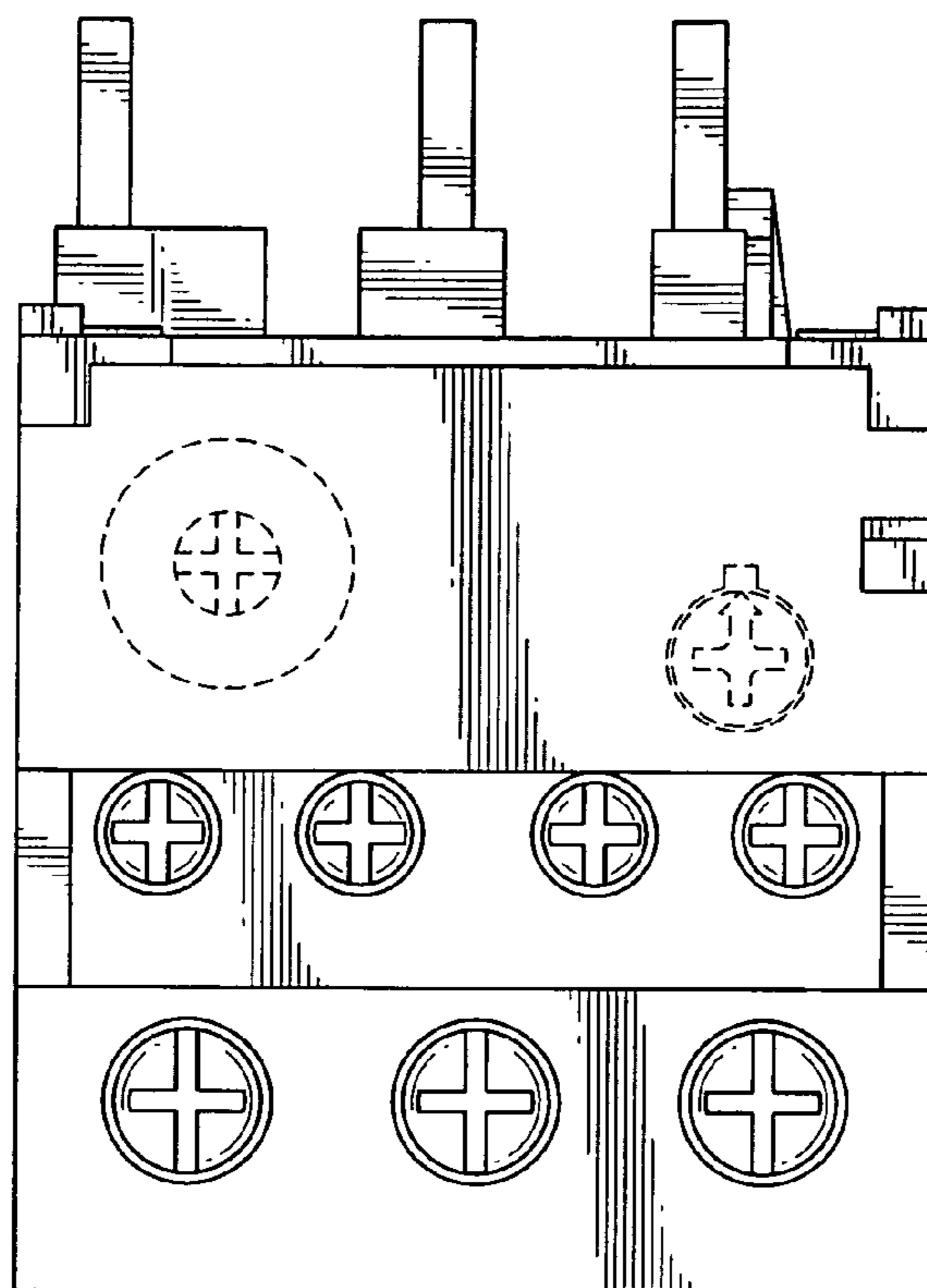
FIG. 5 is a rear elevational view thereof;

FIG. 6 is a front view thereof; and,

FIG. 7 is a perspective view thereof.

The broken line portion in the drawings is included to show unclaimed subject matter only and forms no part of the claimed design.

1 Claim, 7 Drawing Sheets



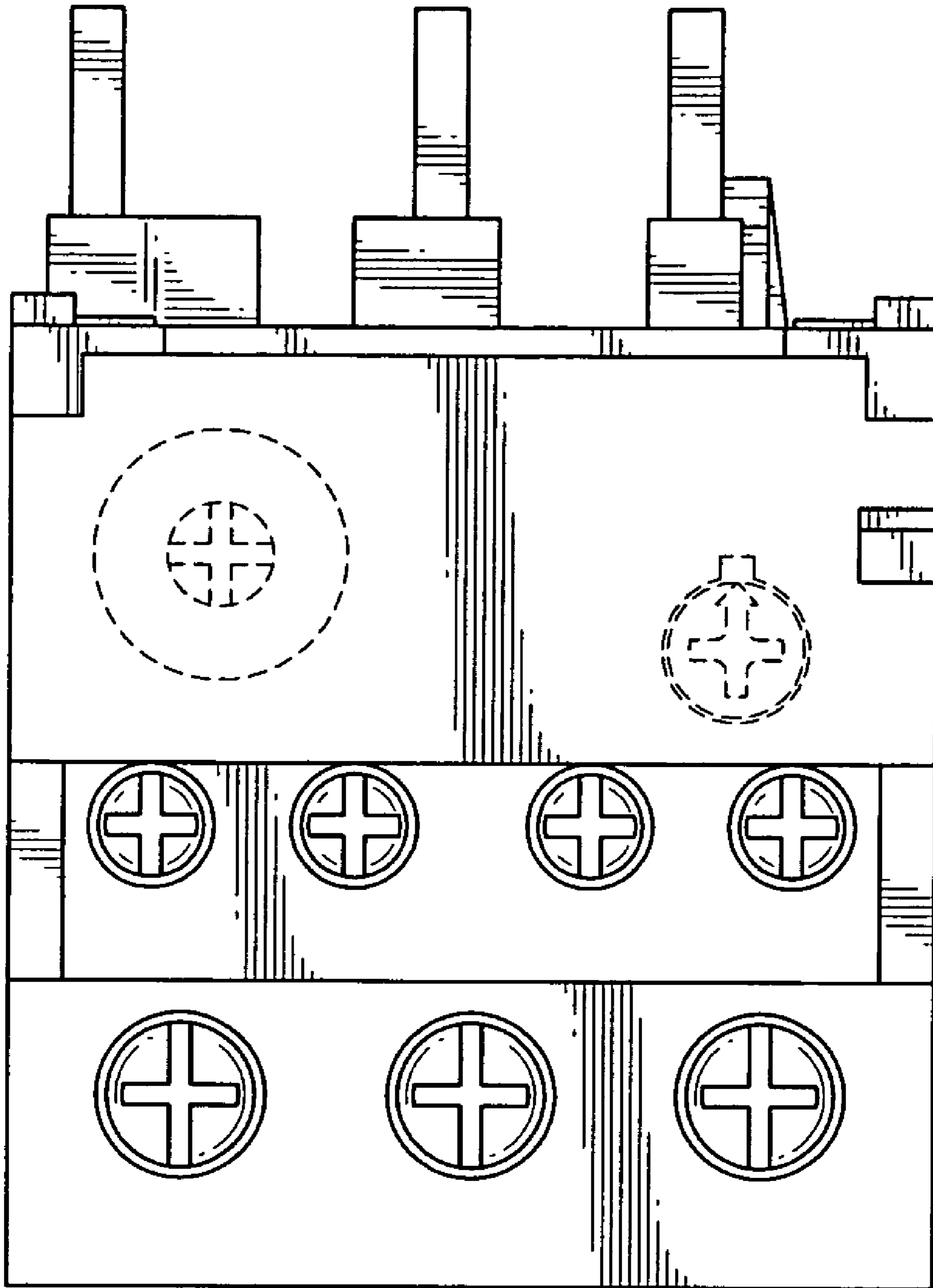


FIG. 1

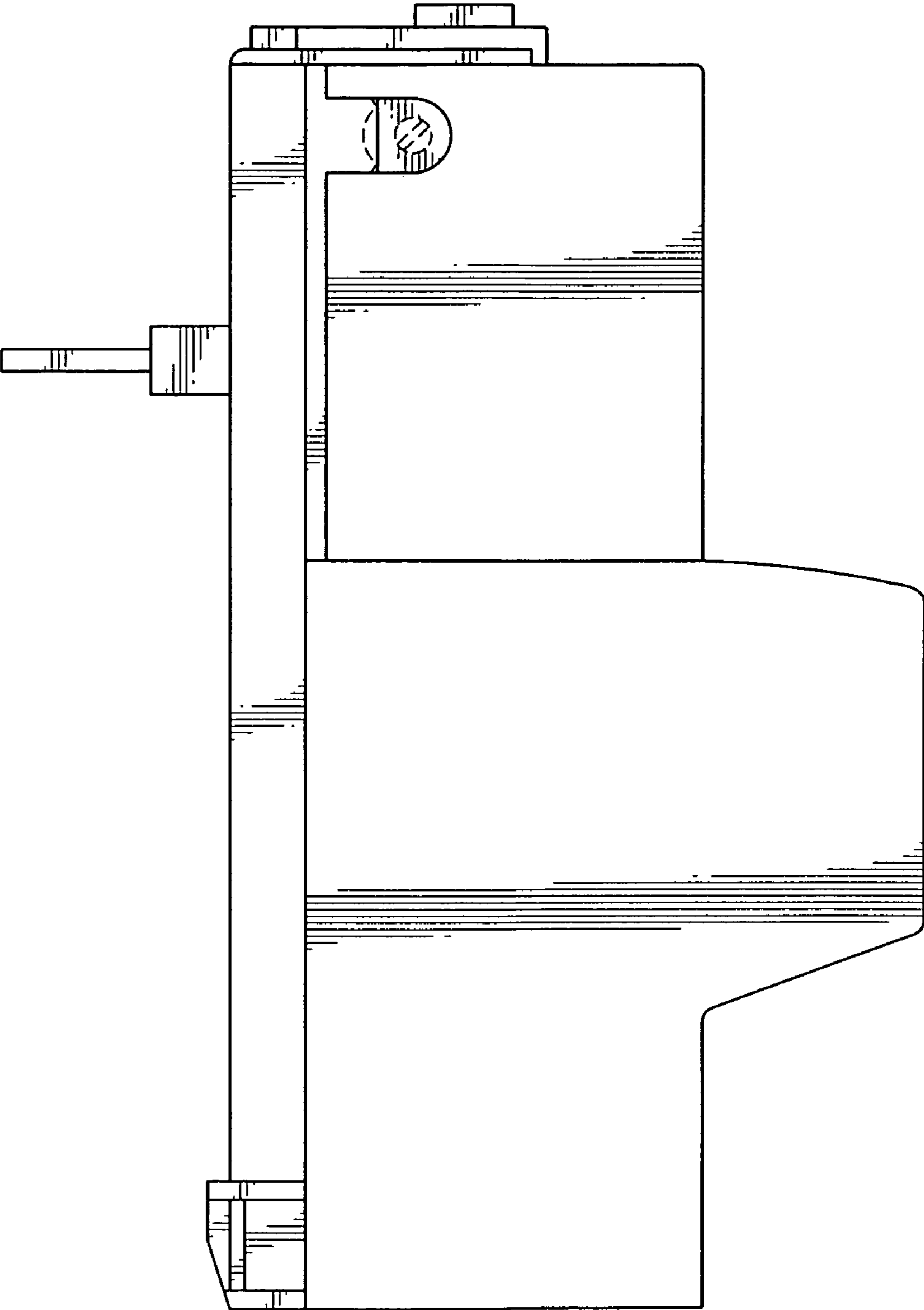


FIG. 2

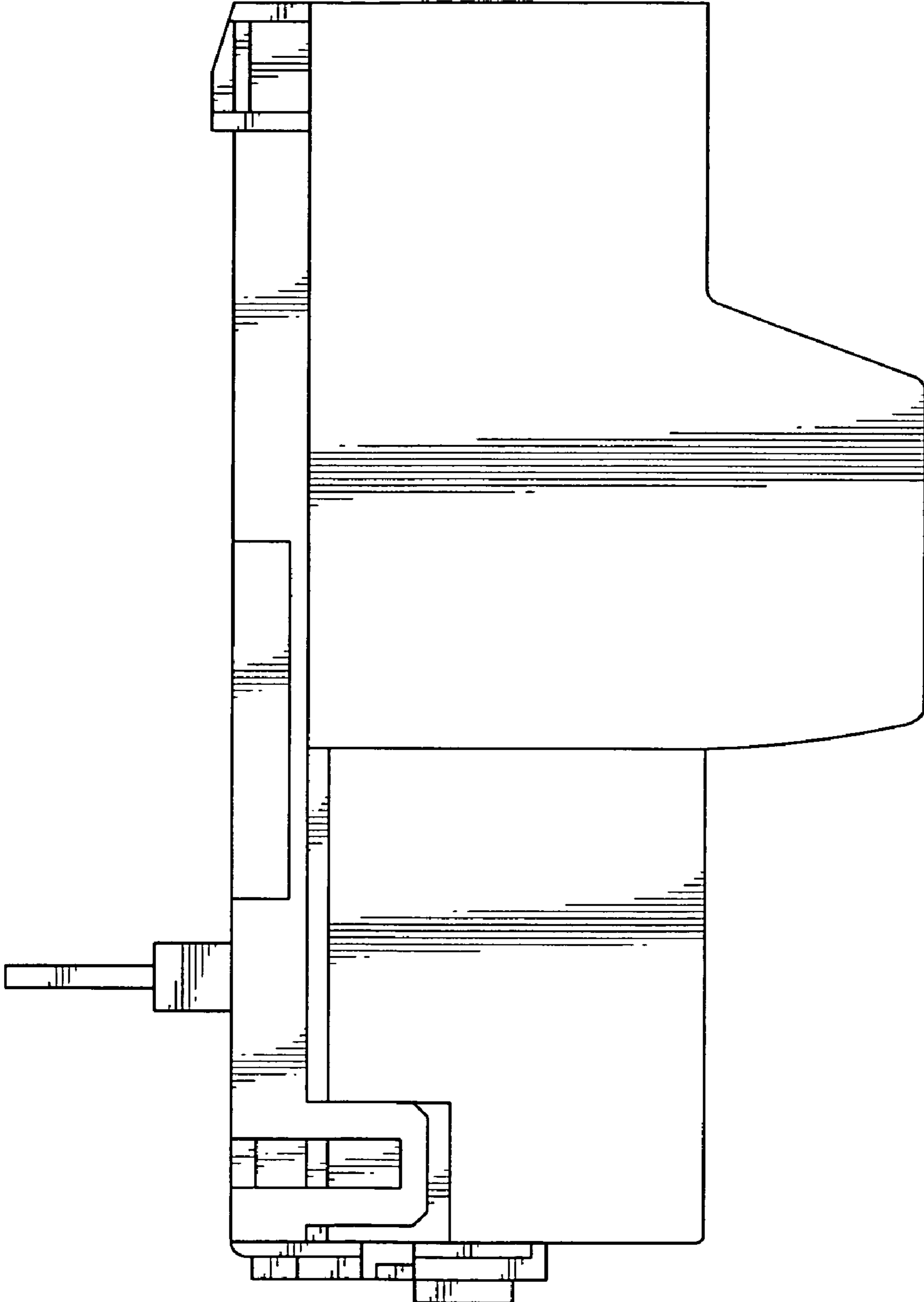


FIG. 3

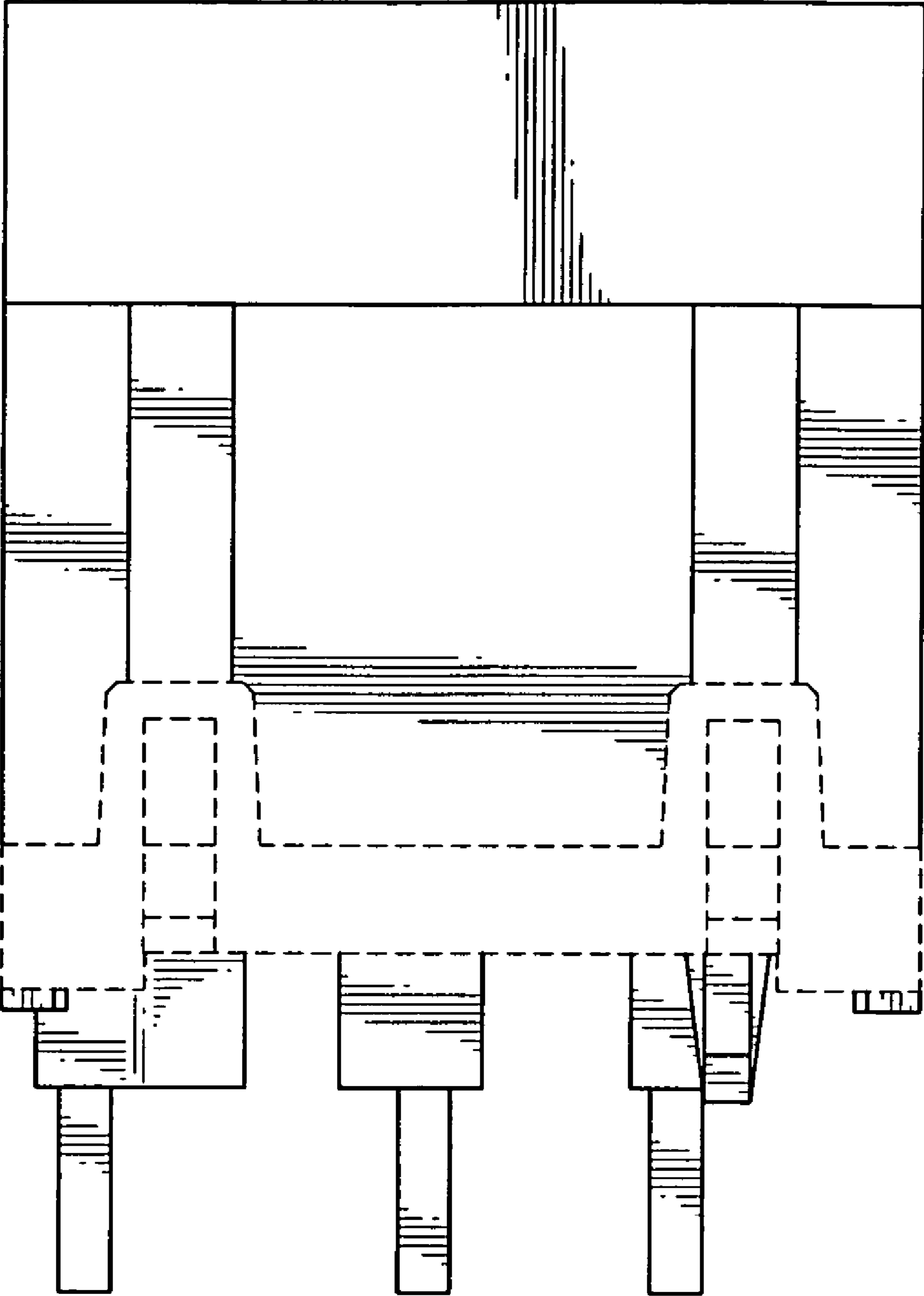


FIG. 4

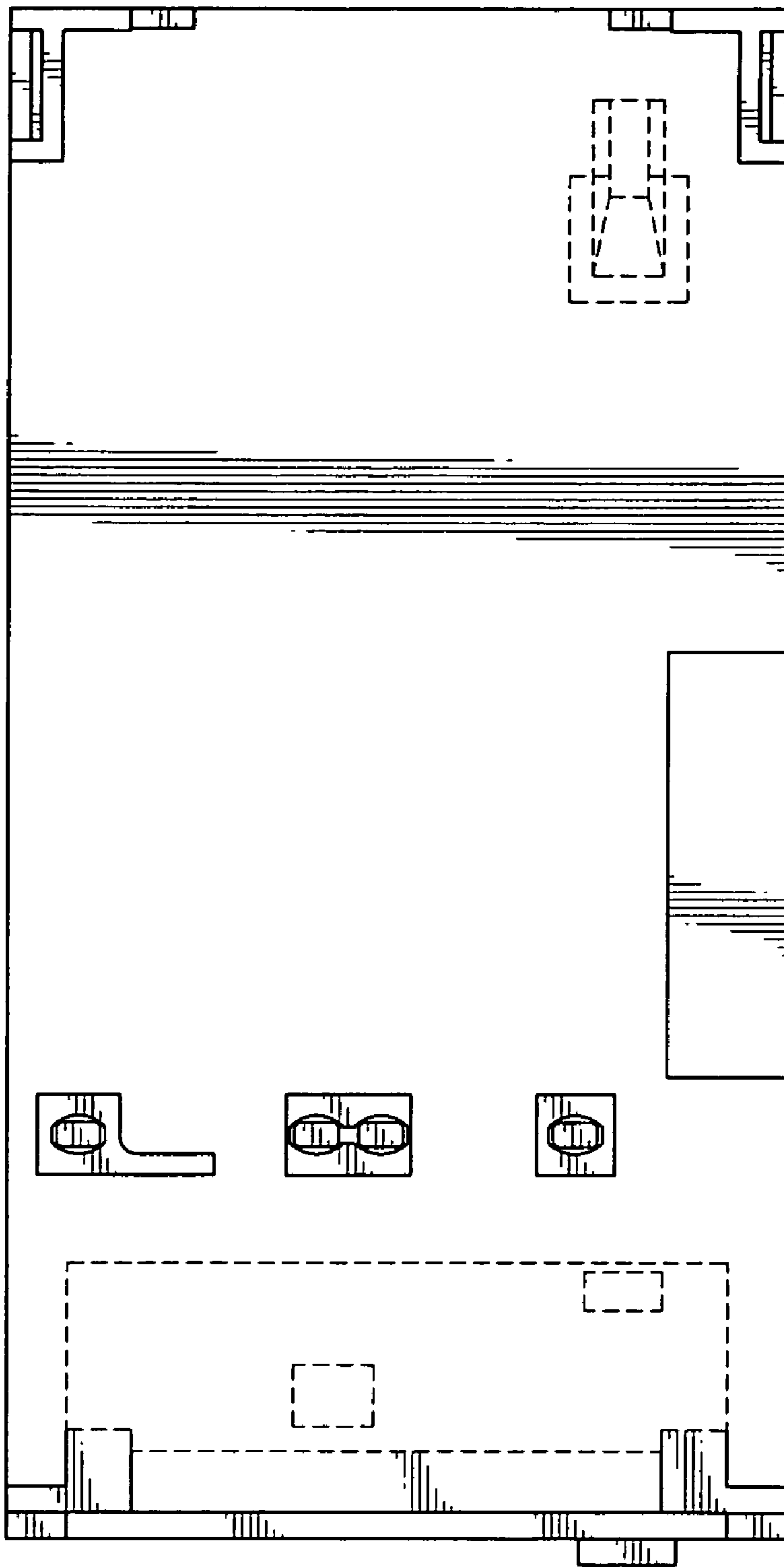


FIG.5

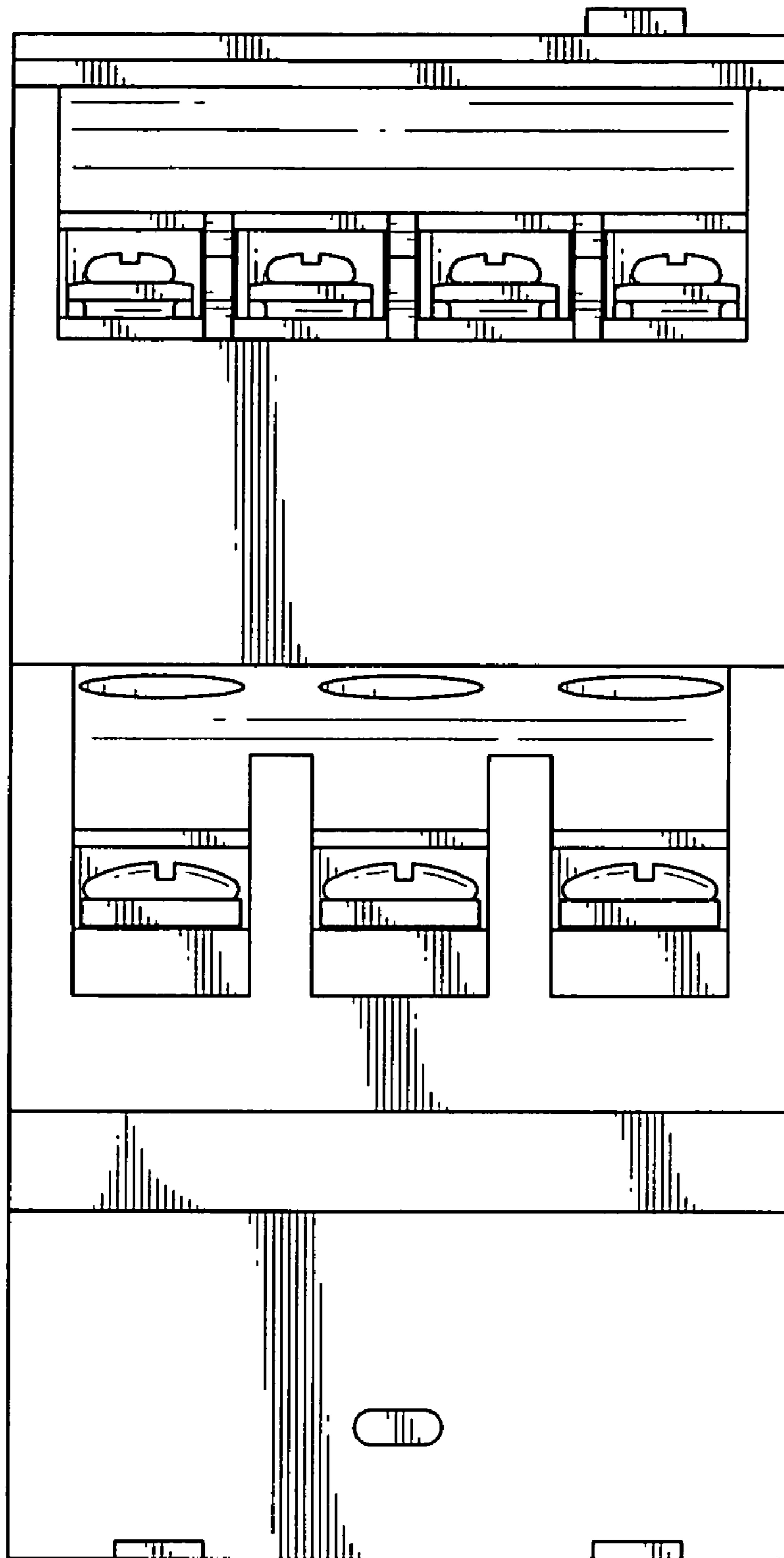


FIG.6

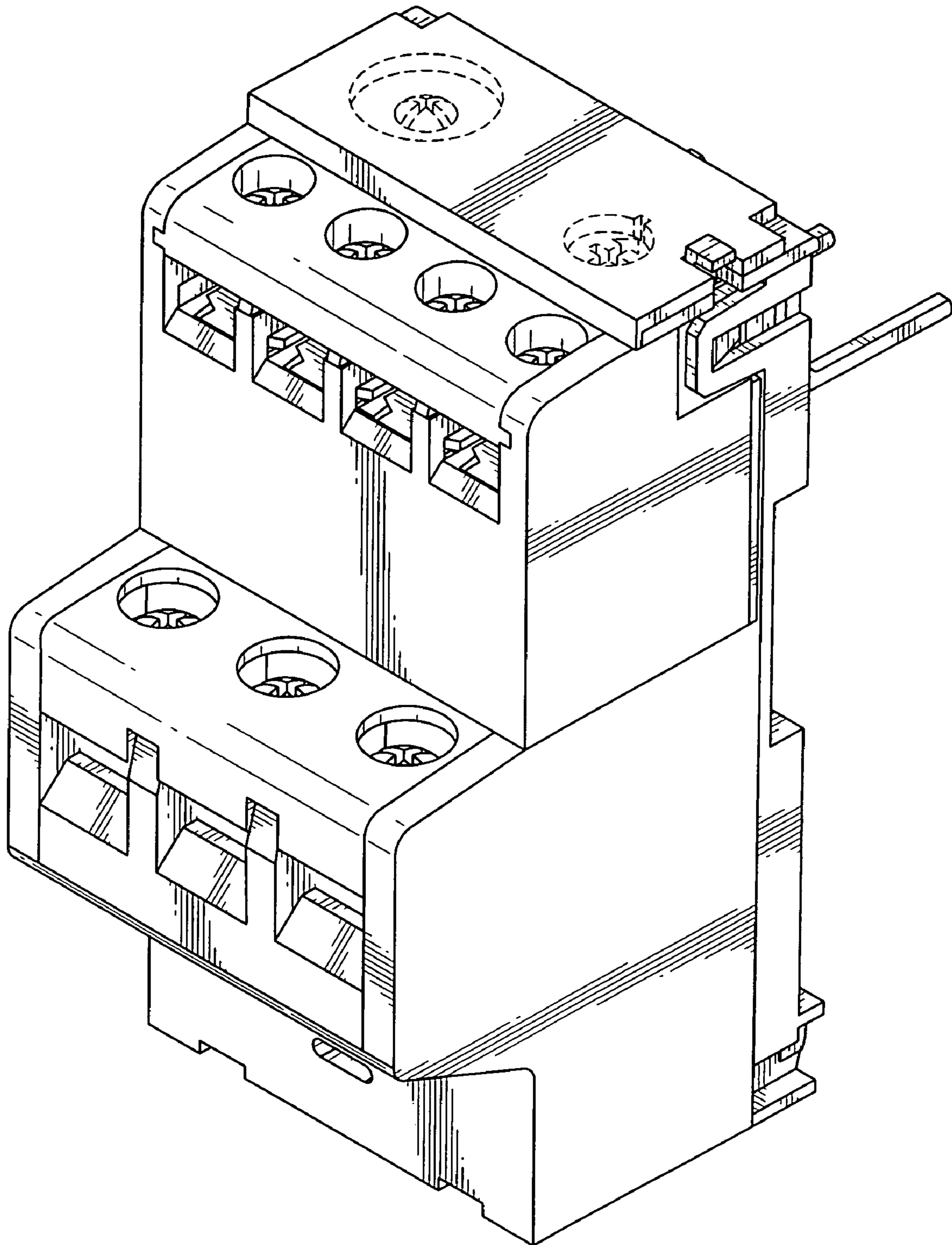


FIG. 7