



US00D592151S

(12) **United States Design Patent**
Marks et al.

(10) **Patent No.:** **US D592,151 S**
(45) **Date of Patent:** **** May 12, 2009**

(54) **CONNECTOR COVER**

Primary Examiner—Brian N Vinson

(75) Inventors: **Jimmy E. Marks**, Dunn, NC (US);
George W. Pullium, III, Garner, NC
(US); **Maigan G. Shrum**, Willow
Spring, NC (US)

(57) **CLAIM**

The ornamental design for a connector cover, as shown and described.

(73) Assignee: **Tyco Electronics Corporation**, Berwyn,
PA (US)

DESCRIPTION

(**) Term: **14 Years**

FIG. 1 is a perspective view of an interior surface of a connector cover in an open configuration showing the new design;

(21) Appl. No.: **29/320,749**

FIG. 2 is the perspective view of FIG. 1 including a wire connector shown in phantom;

(22) Filed: **Jul. 2, 2008**

FIG. 3 is a perspective view of an exterior surface of the connector cover of FIG. 2 in a closed configuration;

(51) **LOC (9) Cl.** **13-03**

(52) **U.S. Cl.** **D13/156**

(58) **Field of Classification Search** D13/152,
D13/154, 156, 177; 174/50; 439/367-369,
439/371

FIG. 4 is a perspective view of an exterior surface of the connector cover of FIG. 1 in an open configuration;

FIG. 5 is an elevation view of the right hand side of the connector cover of FIG. 1;

See application file for complete search history.

FIG. 6 is a right hand side end view of the connector cover of FIG. 1;

(56) **References Cited**

U.S. PATENT DOCUMENTS

D314,186 S *	1/1991	Fujioka	D13/156
D386,149 S *	11/1997	Malone et al.	D13/156
D408,365 S *	4/1999	Sanders	D13/153
D479,201 S *	9/2003	Limber et al.	D13/156
D499,330 S *	12/2004	Peato	D13/156
D576,110 S *	9/2008	Phelps	D13/156

FIG. 7 is a top plan view of an interior surface of the connector cover of FIG. 1;

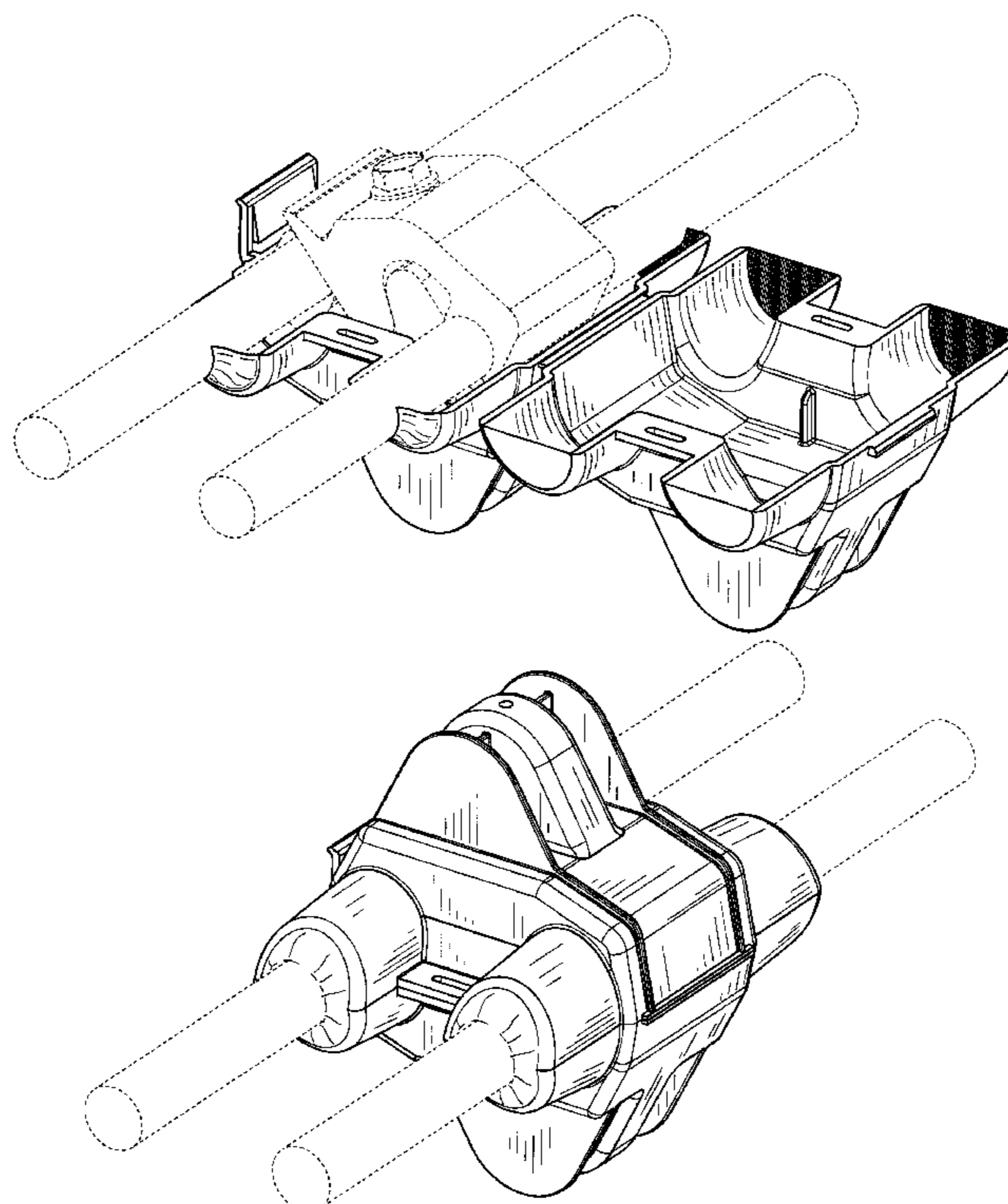
FIG. 8 is a left hand side end view of the connector cover of FIG. 1; and,

FIG. 9 is a top plan view of an exterior surface of the connector cover of FIG. 1.

The broken lines shown in the drawings are for illustrative purposes only and form no part of the claimed design.

* cited by examiner

1 Claim, 9 Drawing Sheets



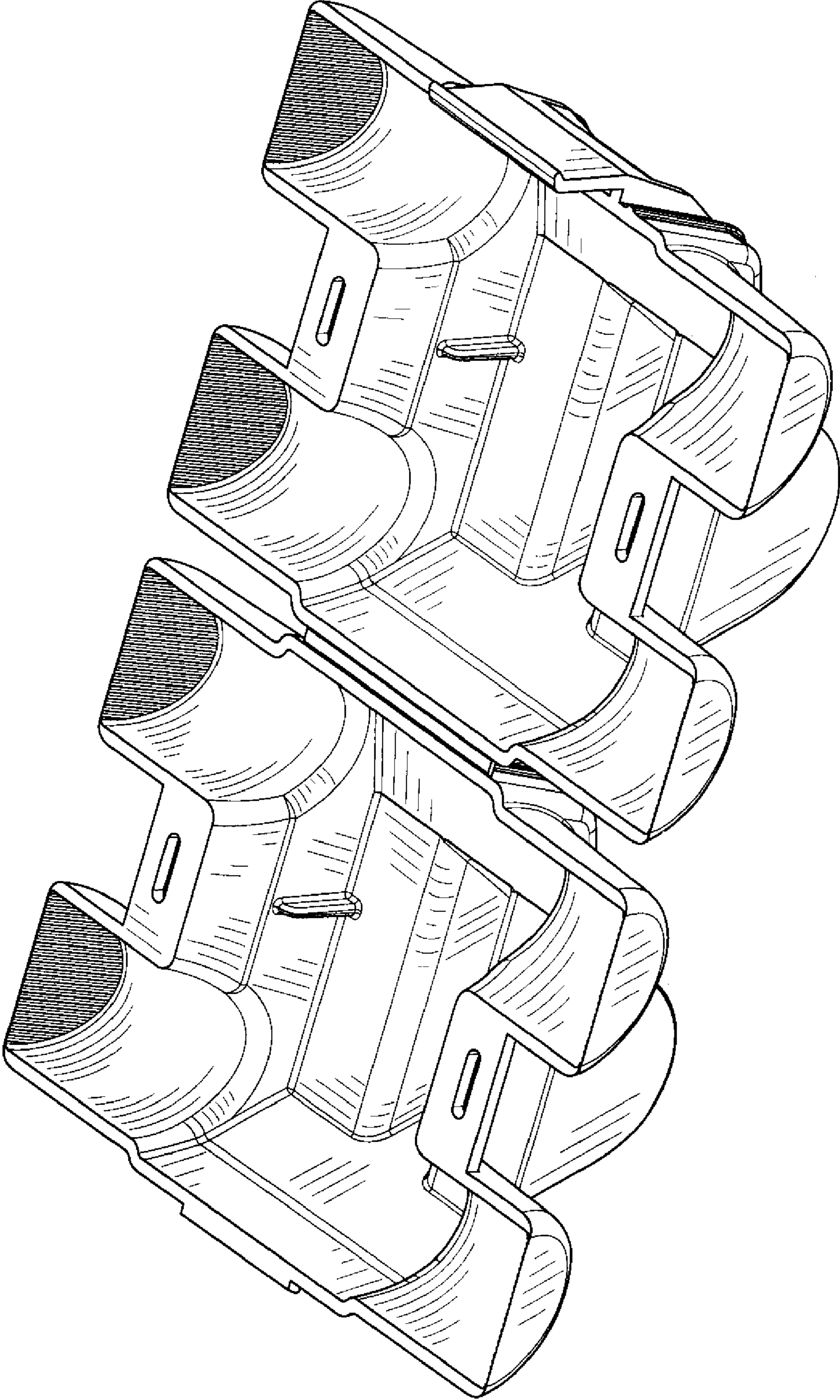


FIG. 1

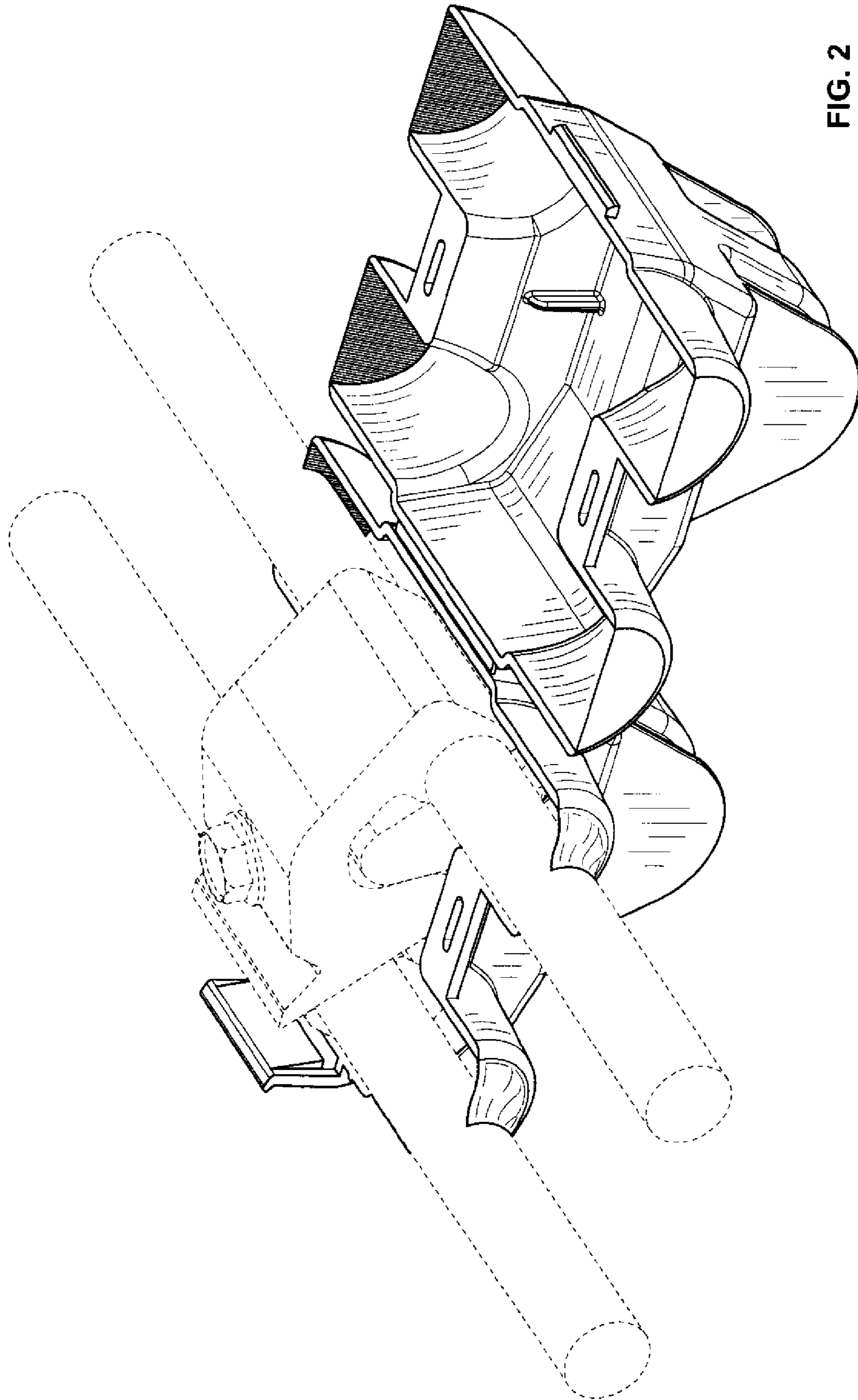


FIG. 2

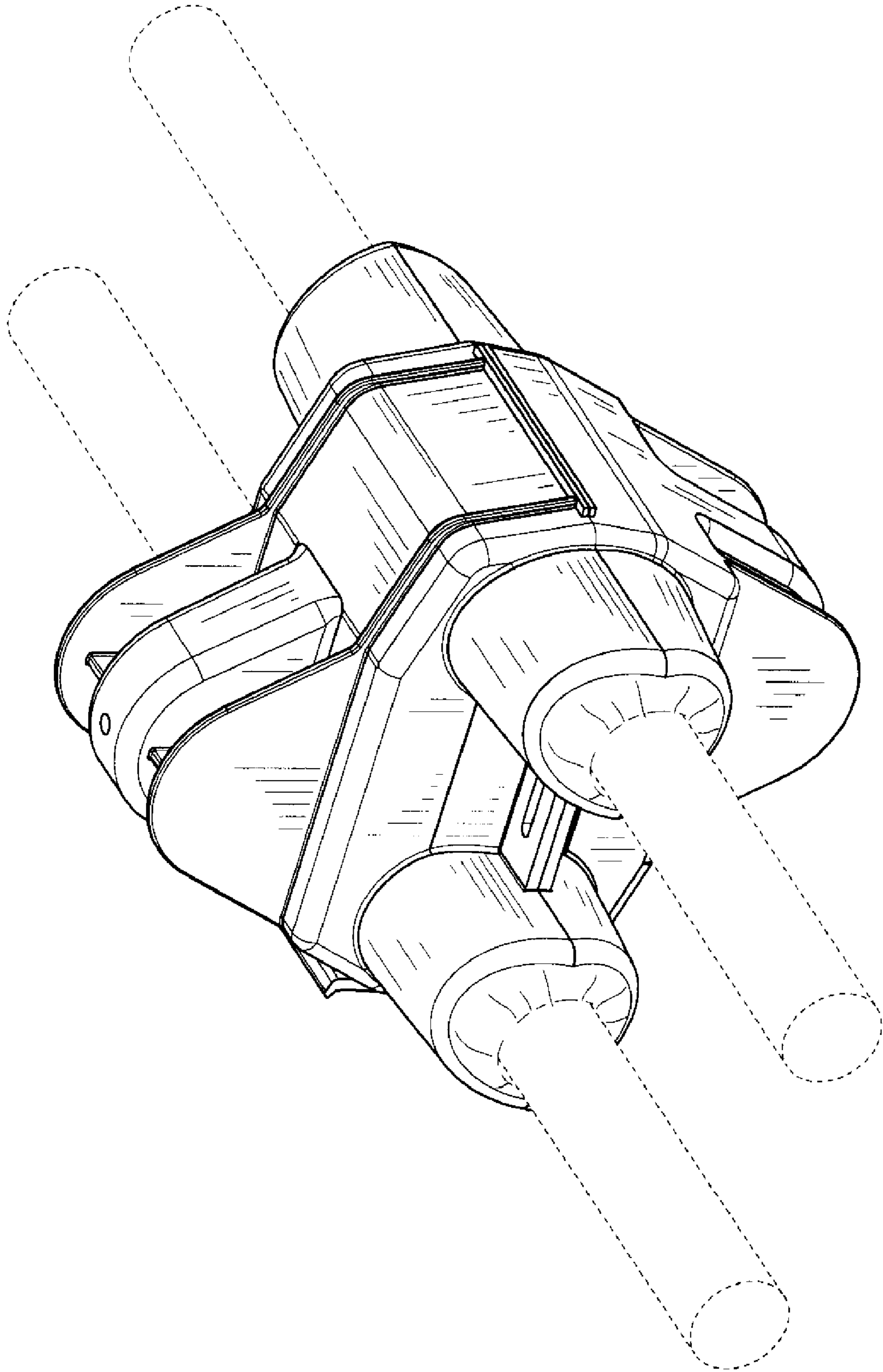


FIG. 3

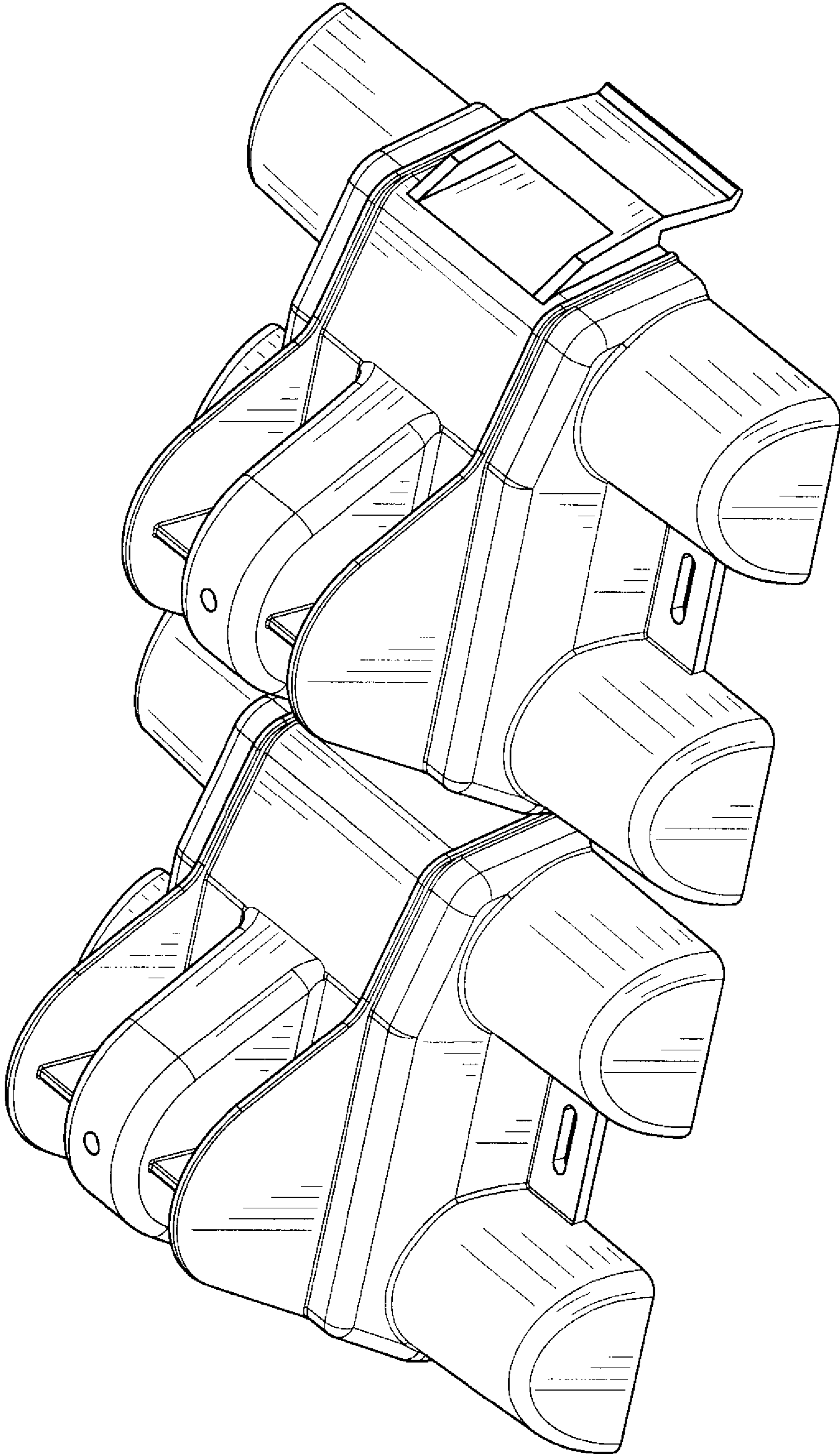


FIG. 4

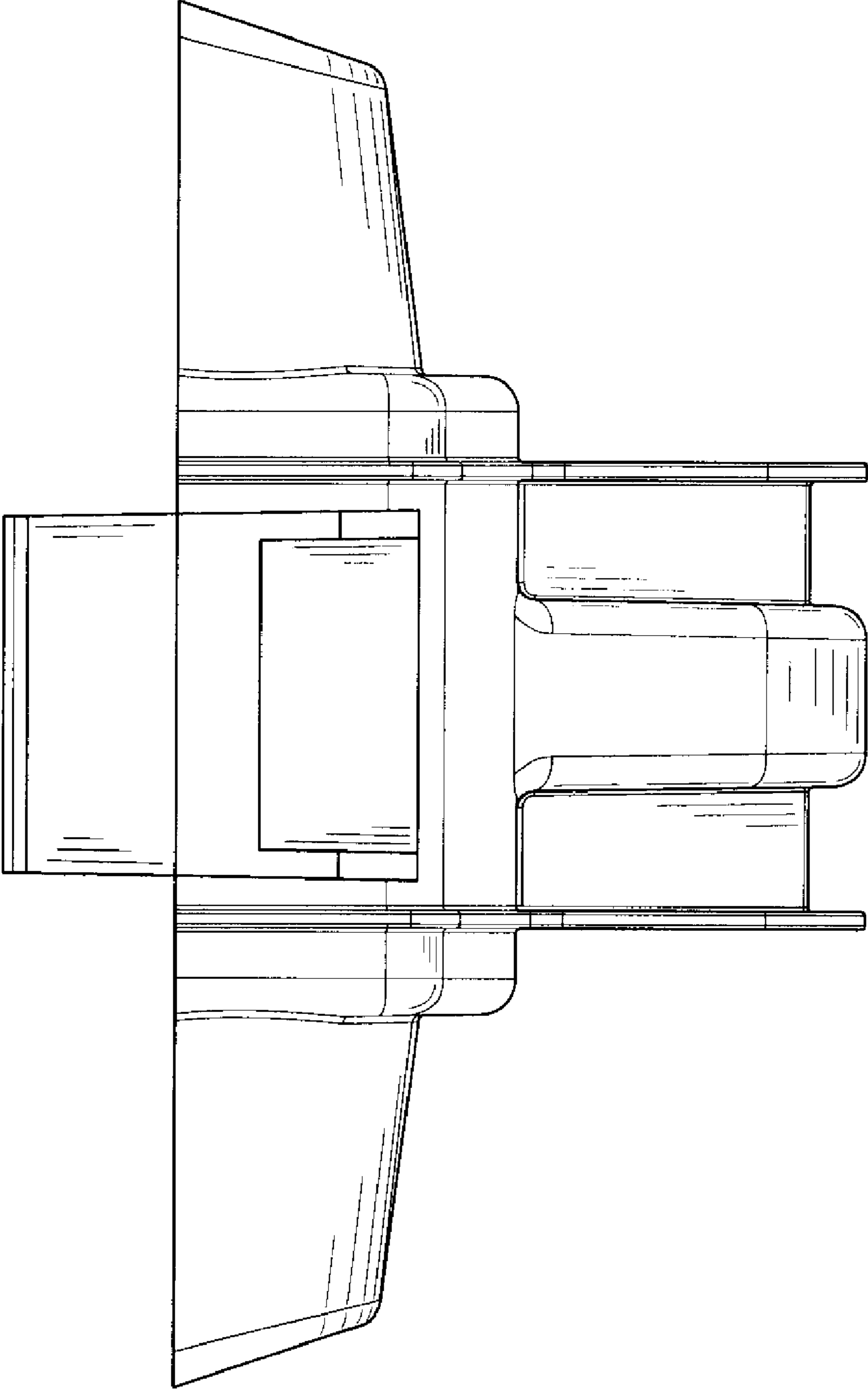


FIG. 5

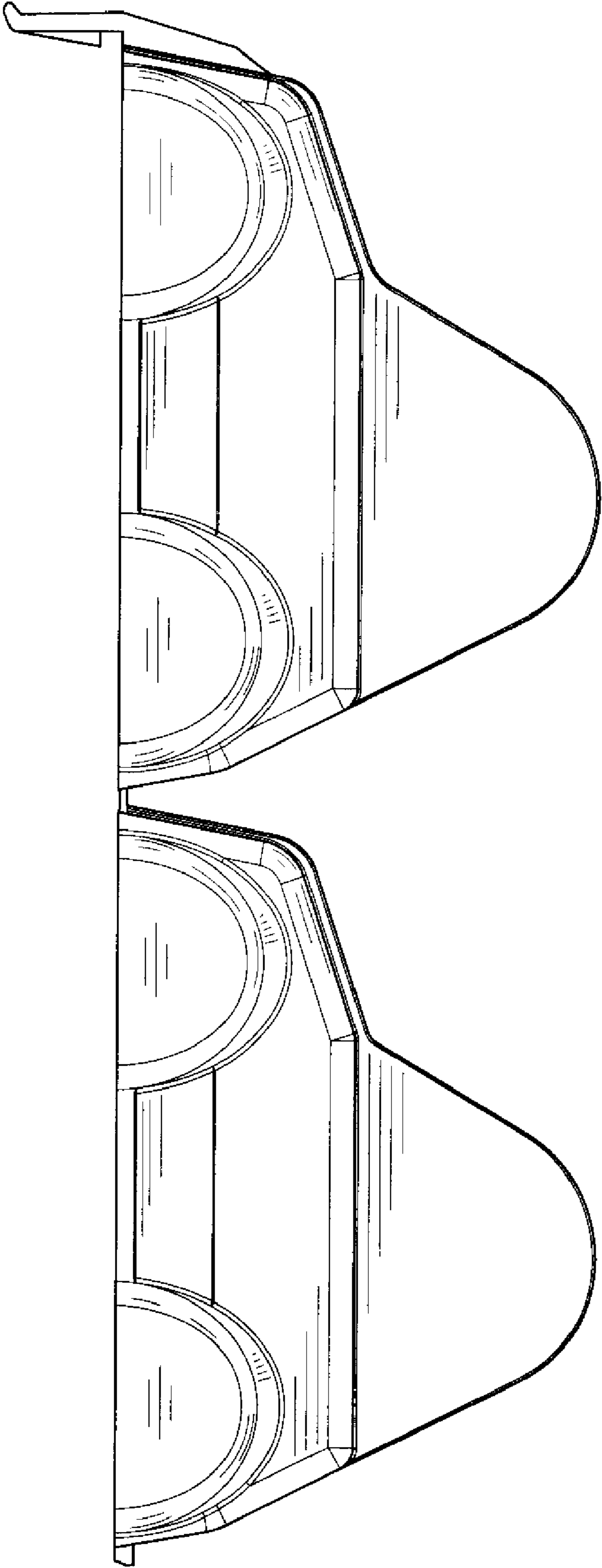


FIG. 6

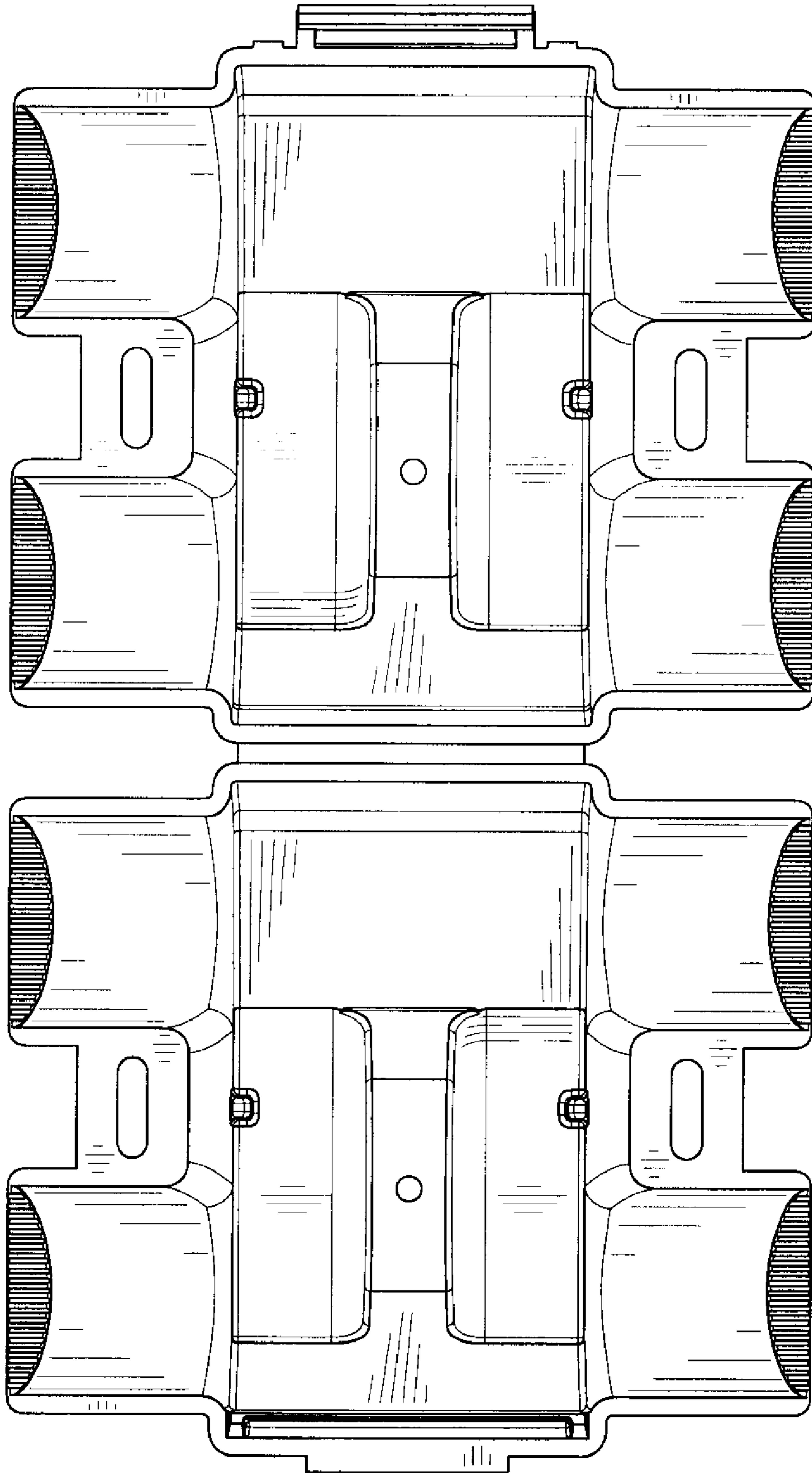


FIG. 7

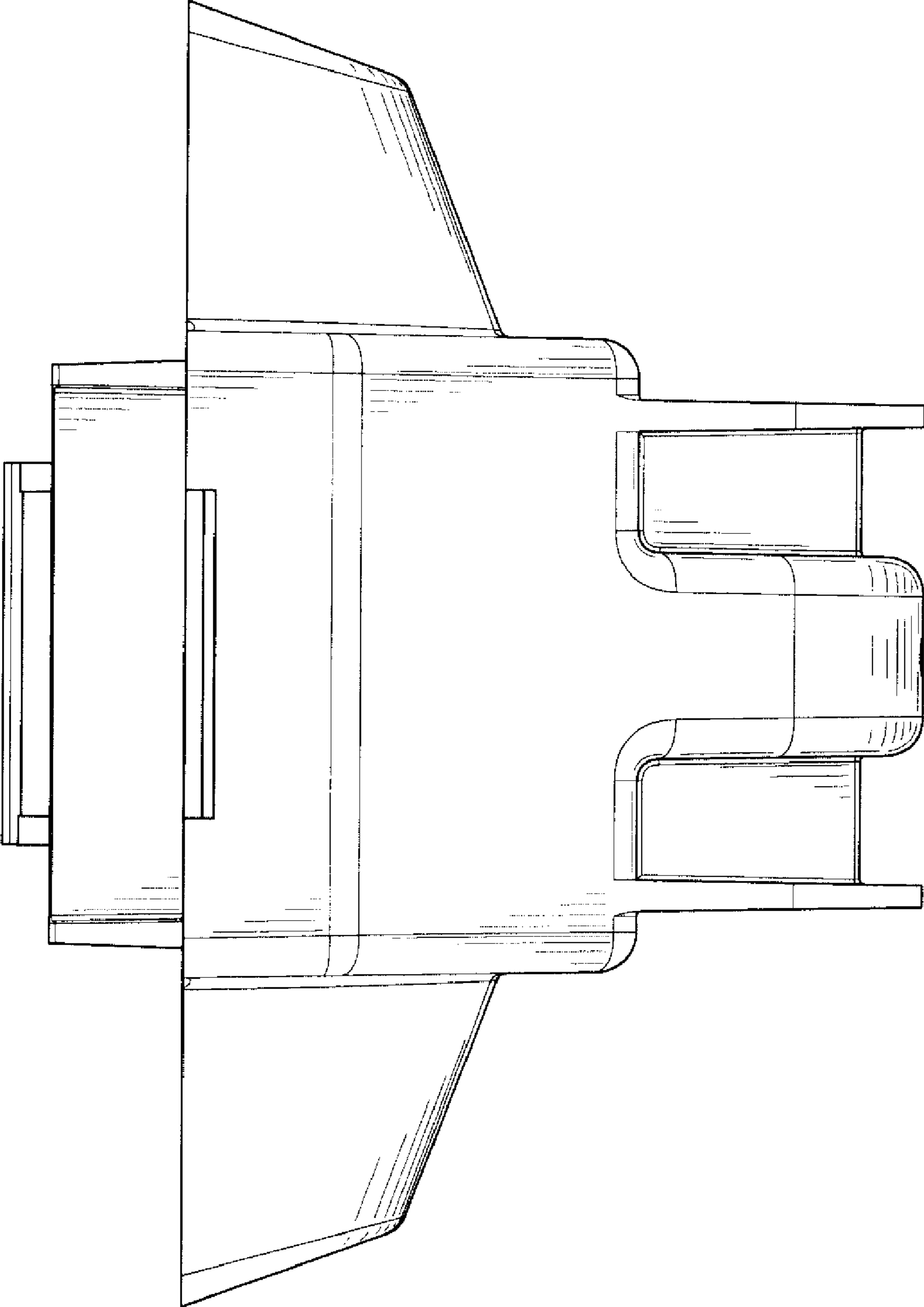


FIG. 8

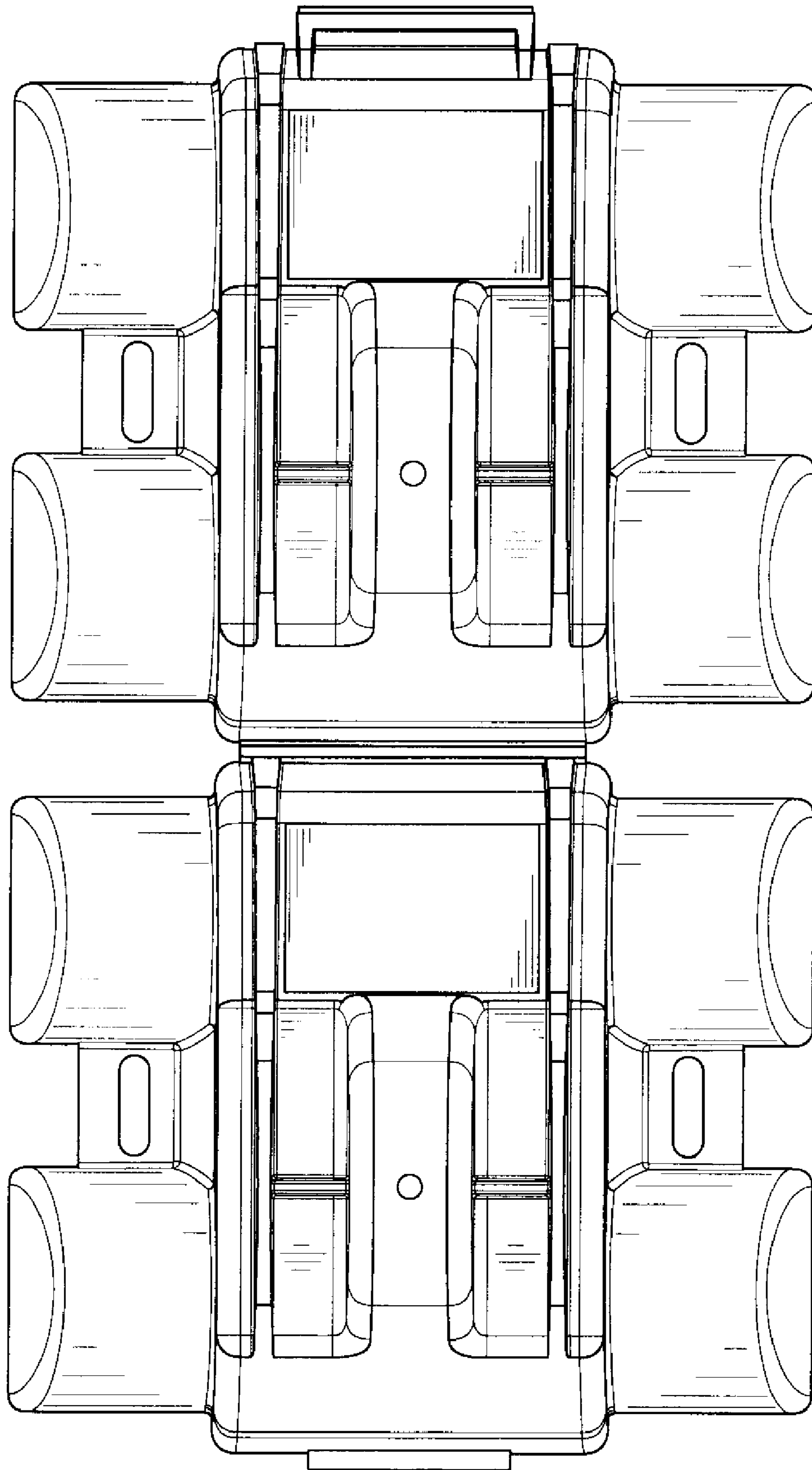


FIG. 9