

US00D592150S

(12) **United States Design Patent**
Ogata et al.

(10) **Patent No.:** **US D592,150 S**

(45) **Date of Patent:** **** May 12, 2009**

(54) **CONTACT FOR ELECTRIC CONNECTOR**

(75) Inventors: **Shigetoshi Ogata**, Toyama (JP); **Mieko Kano**, Toyama (JP)

(73) Assignee: **SMK Corporation**, Tokyo (JP)

(**) Term: **14 Years**

(21) Appl. No.: **29/325,860**

(22) Filed: **Oct. 7, 2008**

(30) **Foreign Application Priority Data**

Apr. 8, 2008 (JP) 2008-008869

(51) **LOC (9) Cl.** **13-03**

(52) **U.S. Cl.** **D13/154**

(58) **Field of Classification Search** D13/133,
D13/146-147, 154, 184; 439/607-610, 732,
439/844, 851-852, 865-867, 872, 877, 884
See application file for complete search history.

(56) **References Cited**

U.S. PATENT DOCUMENTS

4,950,183 A * 8/1990 Watanabe et al. 439/843
D332,773 S * 1/1993 Sato et al. D13/149
6,174,208 B1 * 1/2001 Chen 439/852

D550,626 S * 9/2007 Osborn et al. D13/133
D553,080 S * 10/2007 Sakamaki et al. D13/133
D556,136 S * 11/2007 Shiga et al. D13/133

* cited by examiner

Primary Examiner—Daniel D Bui

(74) *Attorney, Agent, or Firm*—Darby & Darby PC

(57) **CLAIM**

The ornamental design for a contact for electric connector, as shown and described.

DESCRIPTION

FIG. 1 is a front elevational view of our new design for a contact for electric connector;

FIG. 2 is a rear elevational view thereof;

FIG. 3 is a top plan view thereof;

FIG. 4 is a bottom plan view thereof;

FIG. 5 is a right side elevational view thereof;

FIG. 6 is a left side elevational view thereof;

FIG. 7 is a perspective view thereof as seen from the top, front and right sides; and,

FIG. 8 is a perspective view thereof as seen from the bottom, rear and left sides.

1 Claim, 3 Drawing Sheets

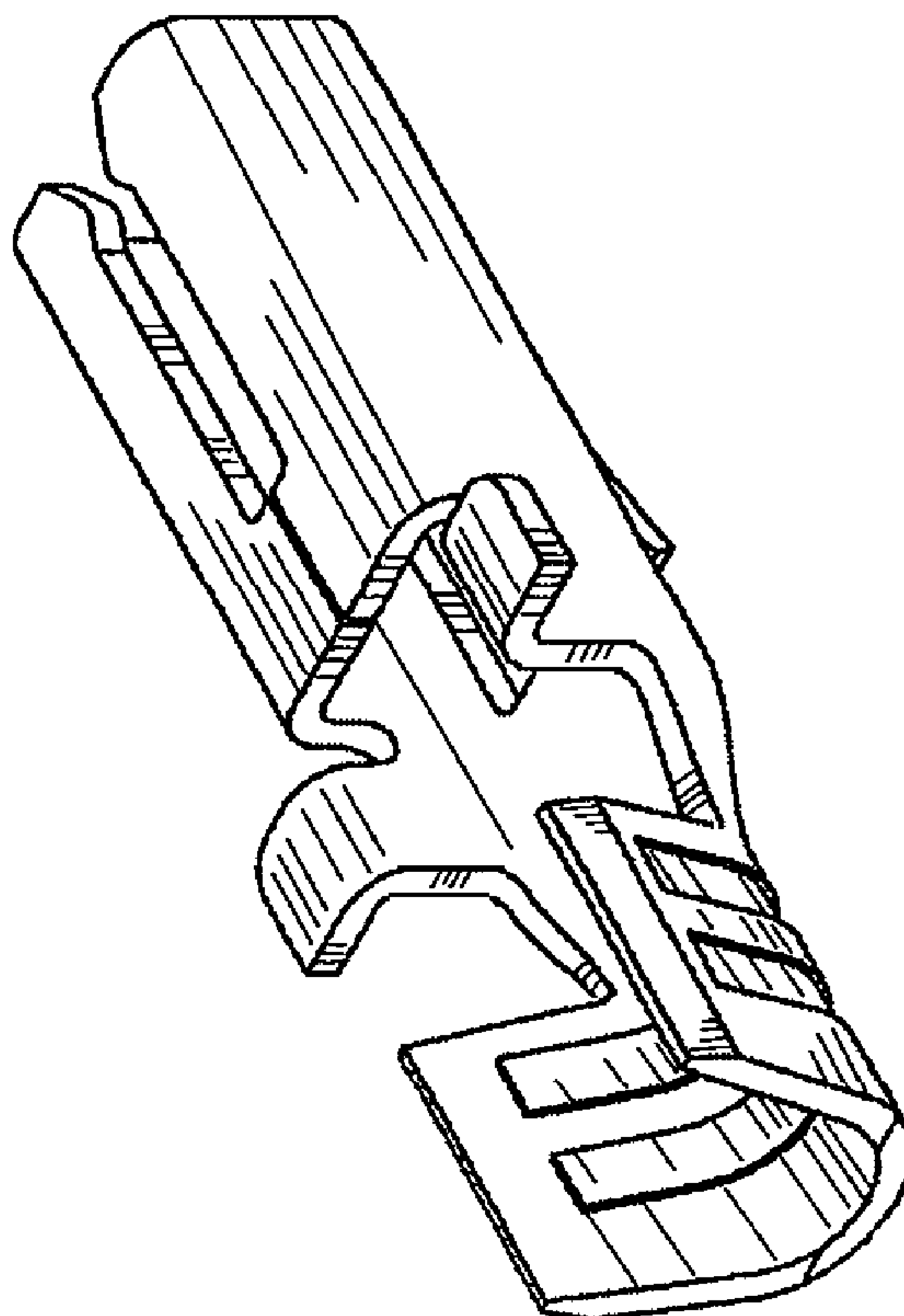


Figure 1

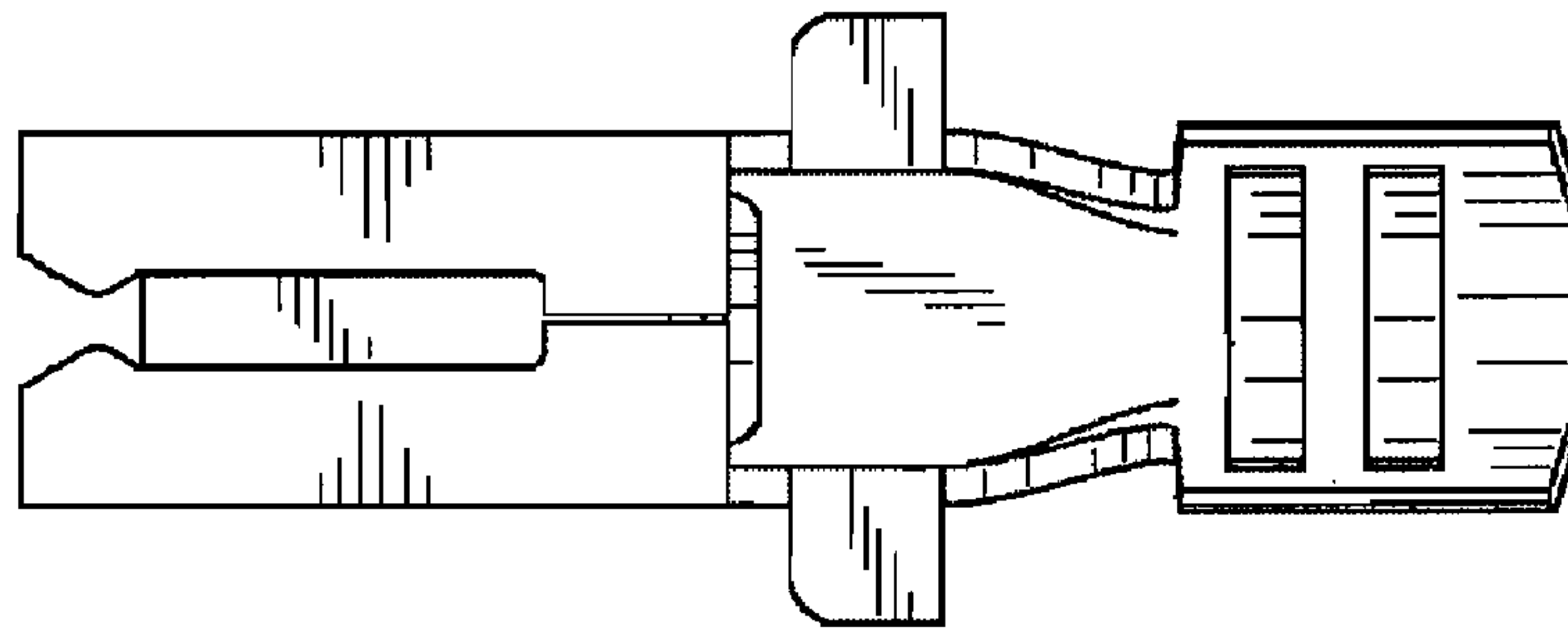


Figure 2

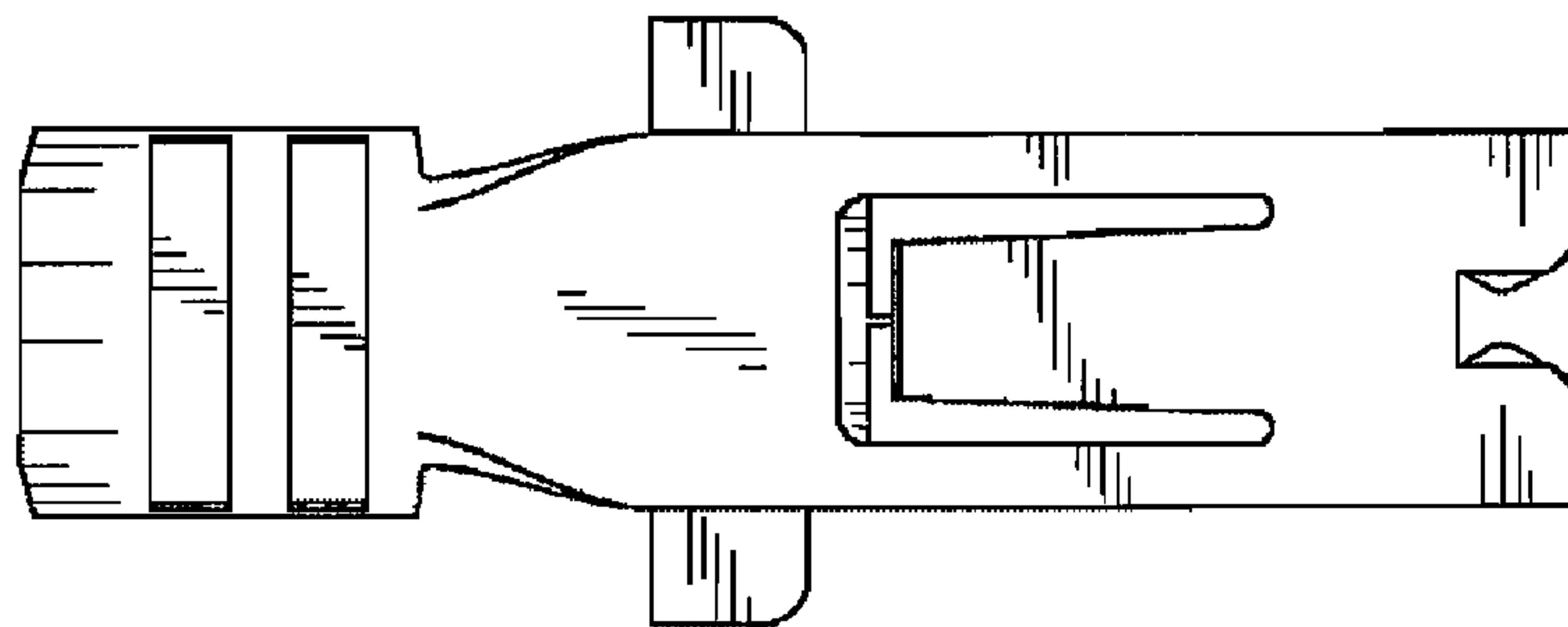


Figure 3

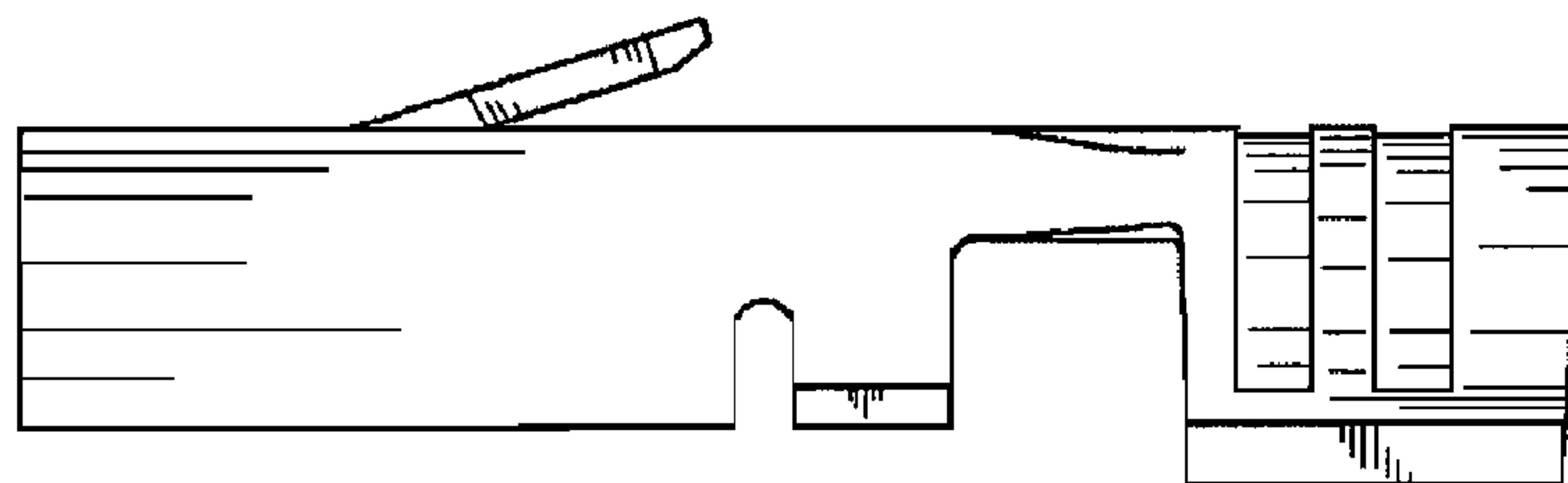


Figure 4

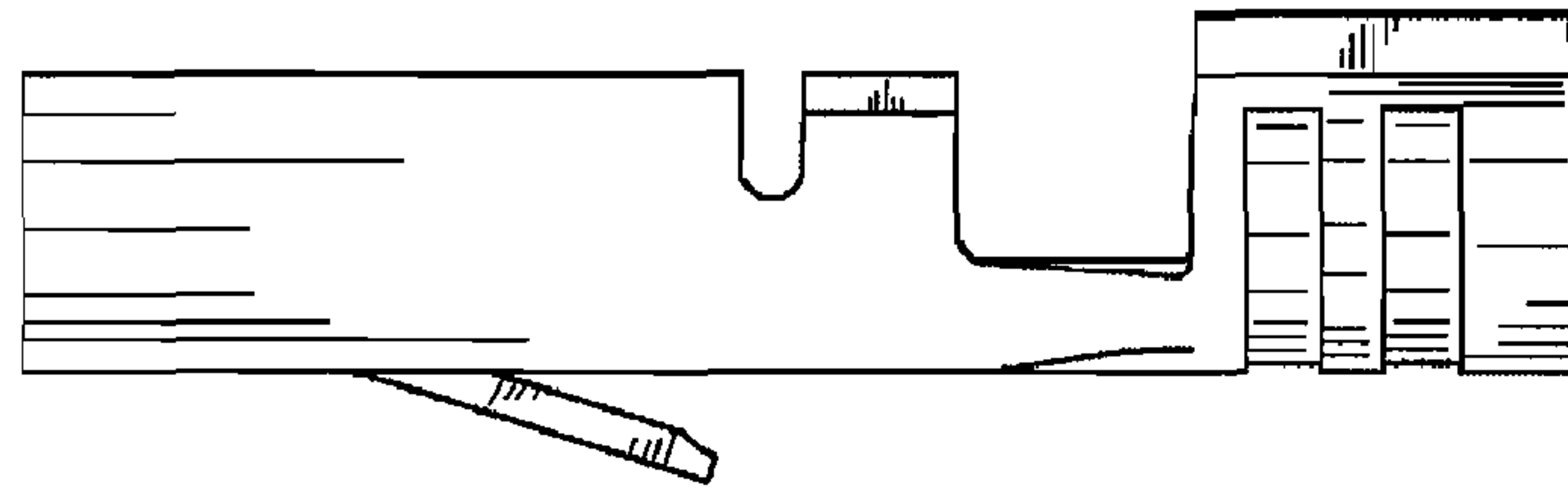


Figure 5

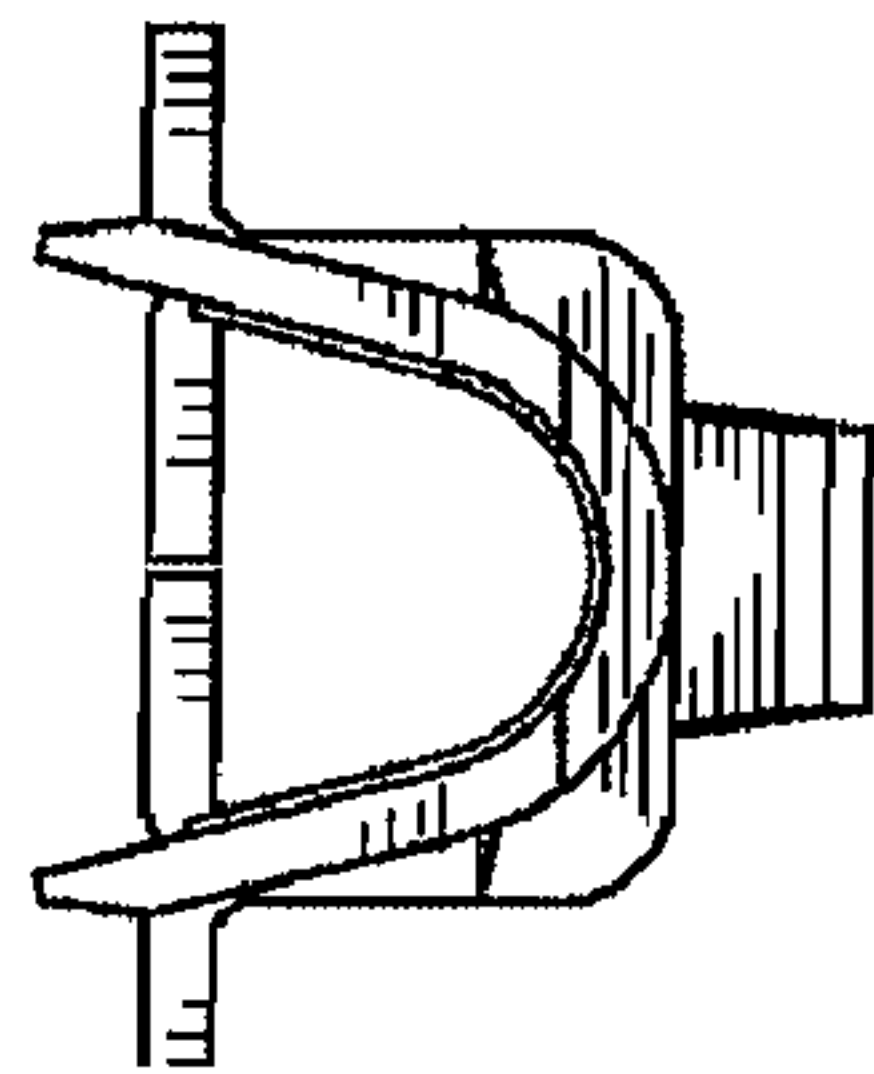


Figure 6

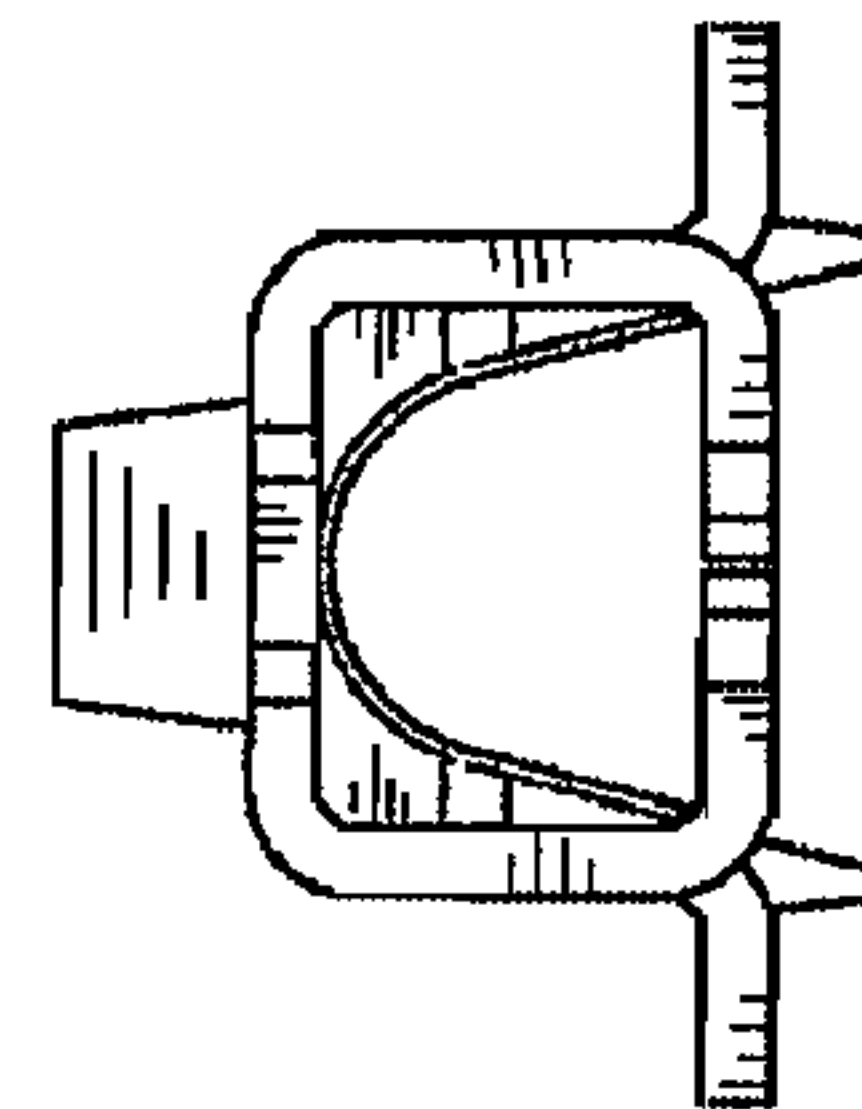


Figure 7

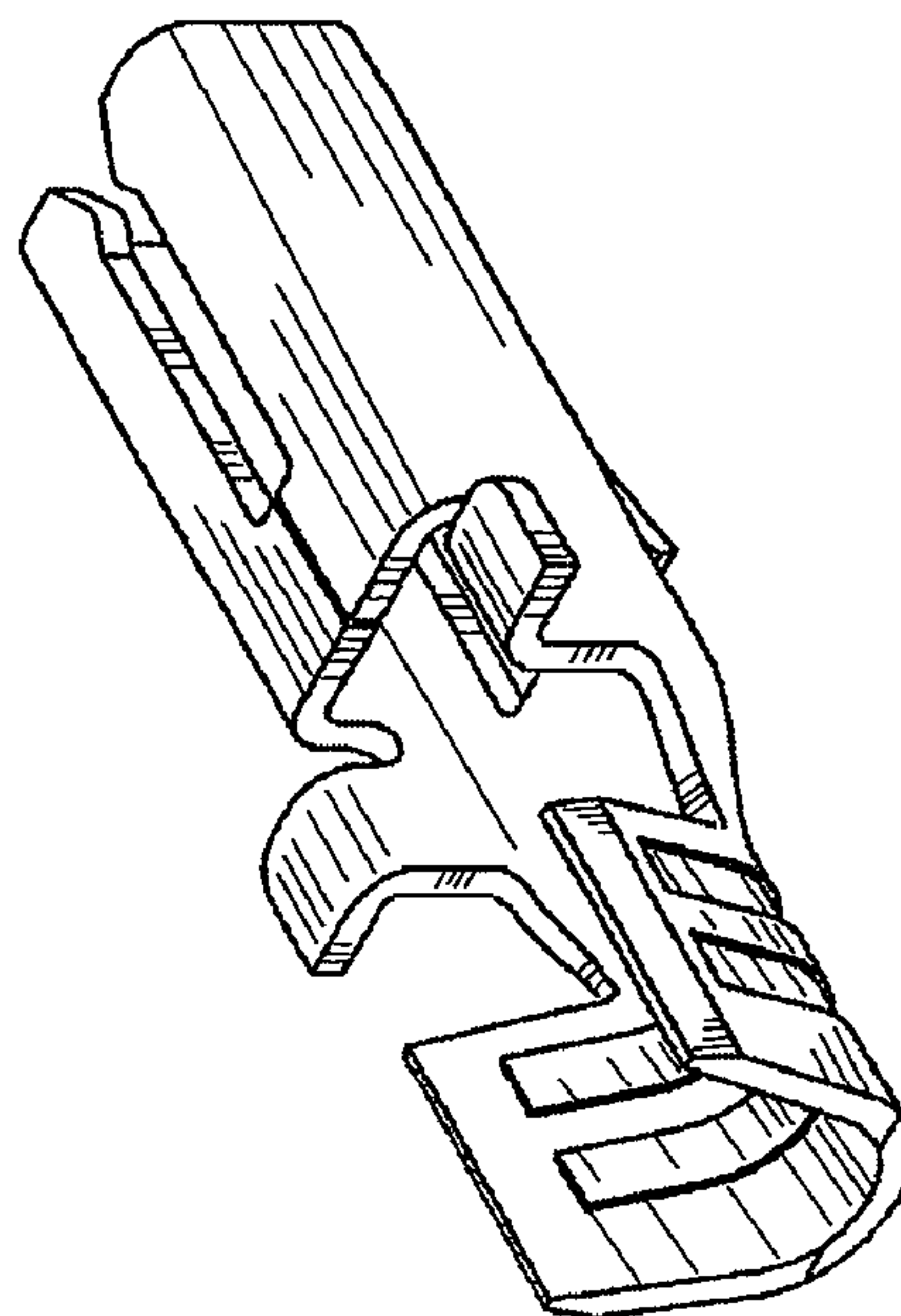


Figure 8

